










# Assembly Instructions

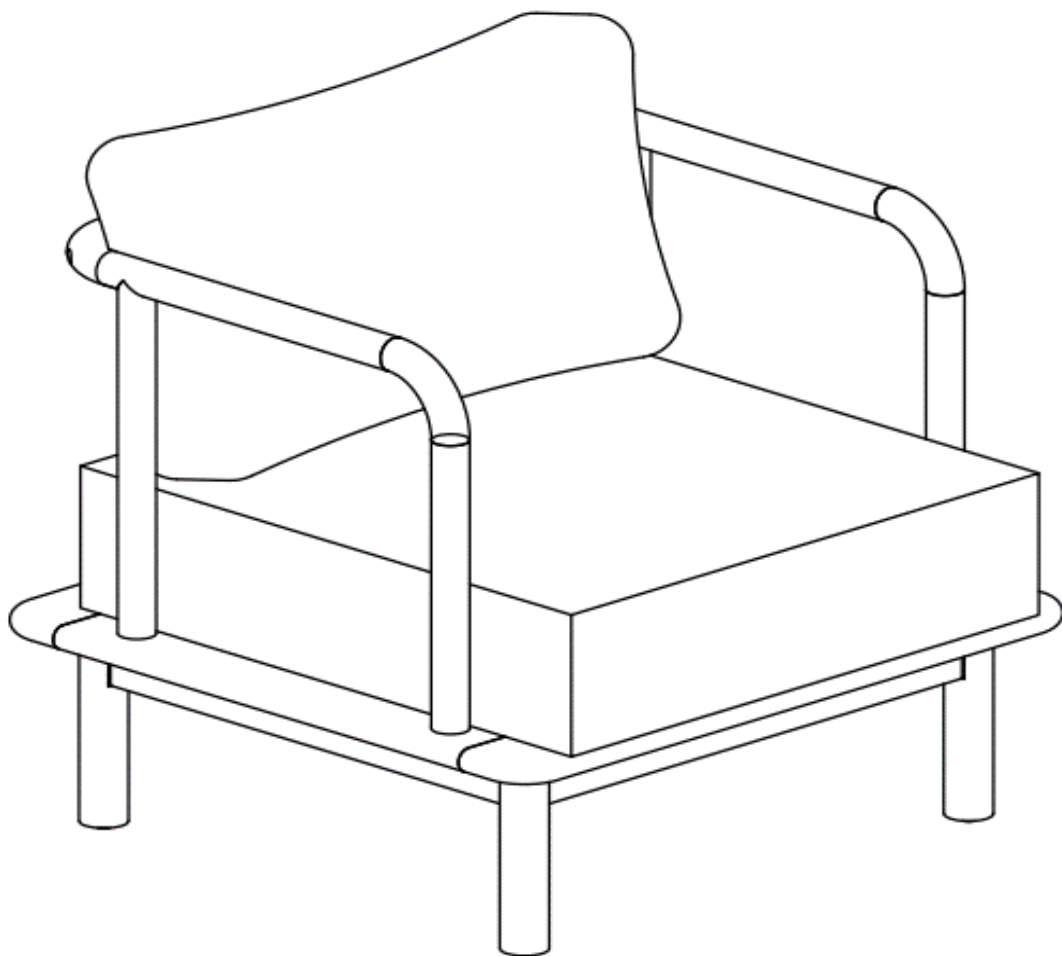
**CAUTION: You must read these Assembly Instructions before you proceed.**

## Care & Maintenance

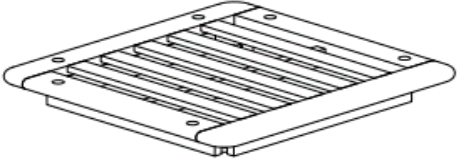

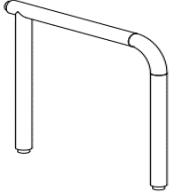
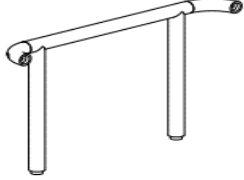

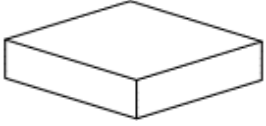
-  • Not for commercial use. For residential use only.
-  • Do not put hot items directly on furniture surface.
-  • Do not clean furniture with harsh cleansers or polish.
-  • To obtain the longest lifespan of your outdoor product minimizing exposure to direct sunlight is recommended.
-  • Children should not climb or jump on the furniture.
-  • Do not write on furniture without a padded barrier to protect the surface.
-  • To obtain the longest lifespan of your outdoor products, avoid extended and lengthy exposure to rain, snow, and direct sunshine. Whenever possible cover the product and /or place under patio or awnings.
-  • Stains may be removed with mild soap solution and damp cloth.
-  • Dust and pick-up spills using a clean, non-colored, lint- free cloth.

Please look in Seat Panel for hardware packs



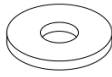

# CHAIR



## Parts List:

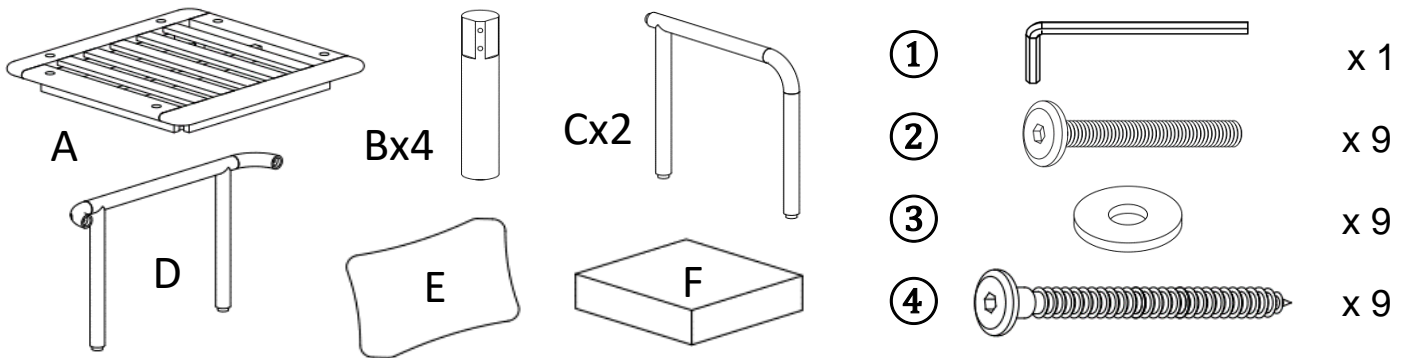
| Label | Picture   | Description    | Qty |
|-------|---|----------------|-----|
| A     |    | Seat Panel     | 1   |
| B     |    | Leg            | 4   |
| C     |    | Arm Panel      | 2   |
| D     |   | Backrest Panel | 1   |
| E     |  | Back Cushion   | 1   |
| F     |  | Seat Cushion   | 1   |

## Hardware:

| No | Picture   | Description     | Qty |
|----|---|-----------------|-----|
| ①  |  | Allen Wrench    | 1   |
| ②  |  | Bolt (M6*60mm)  | 9   |
| ③  |  | Washer          | 9   |
| ④  |  | Screw (M6*70mm) | 9   |

# Assembly Preparation:

## Before Beginning Assembly:



- Read instructions, cover to cover-



- Have 2 adults on hand for assembly-



- Do not assemble on flooring or carpet-



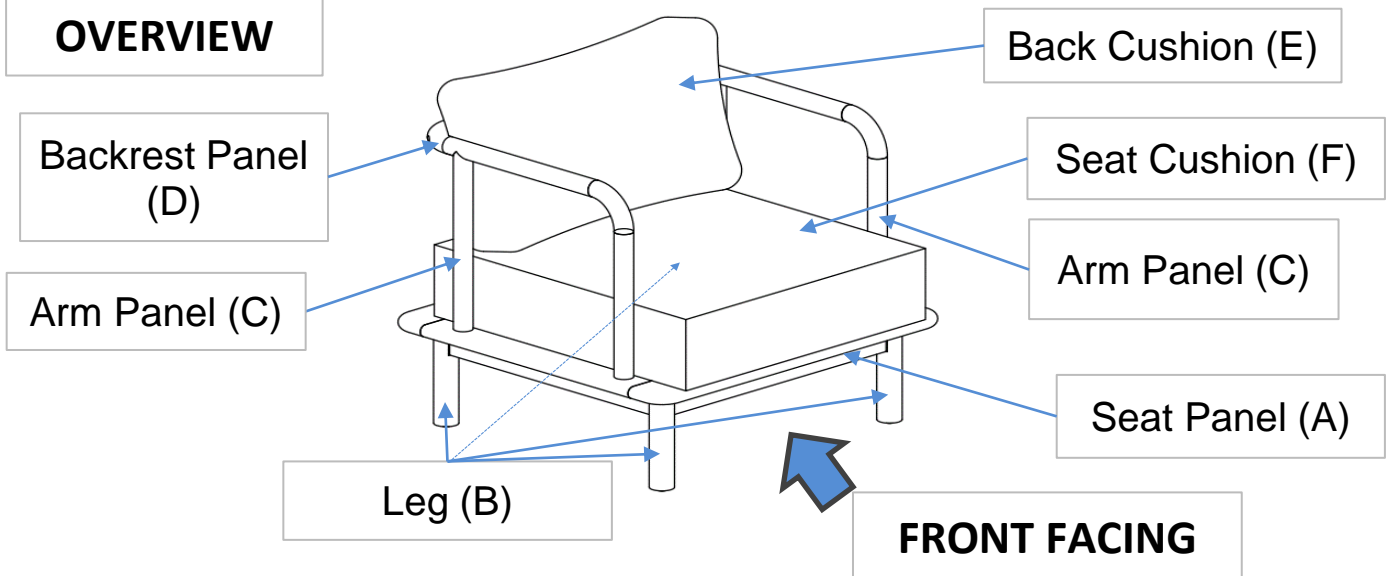
- Assemble on a clean non-marring surface (packing foam)-



- Save all packaging until finished-

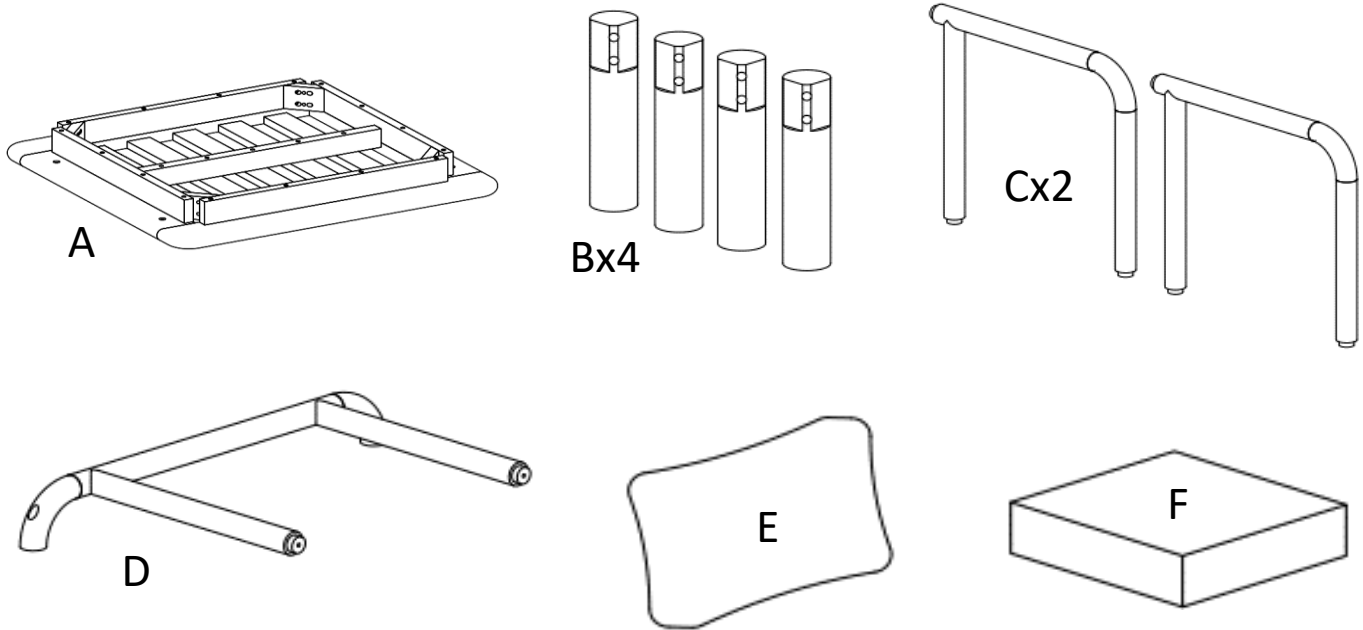
# Assembly Preparation:

## OVERVIEW



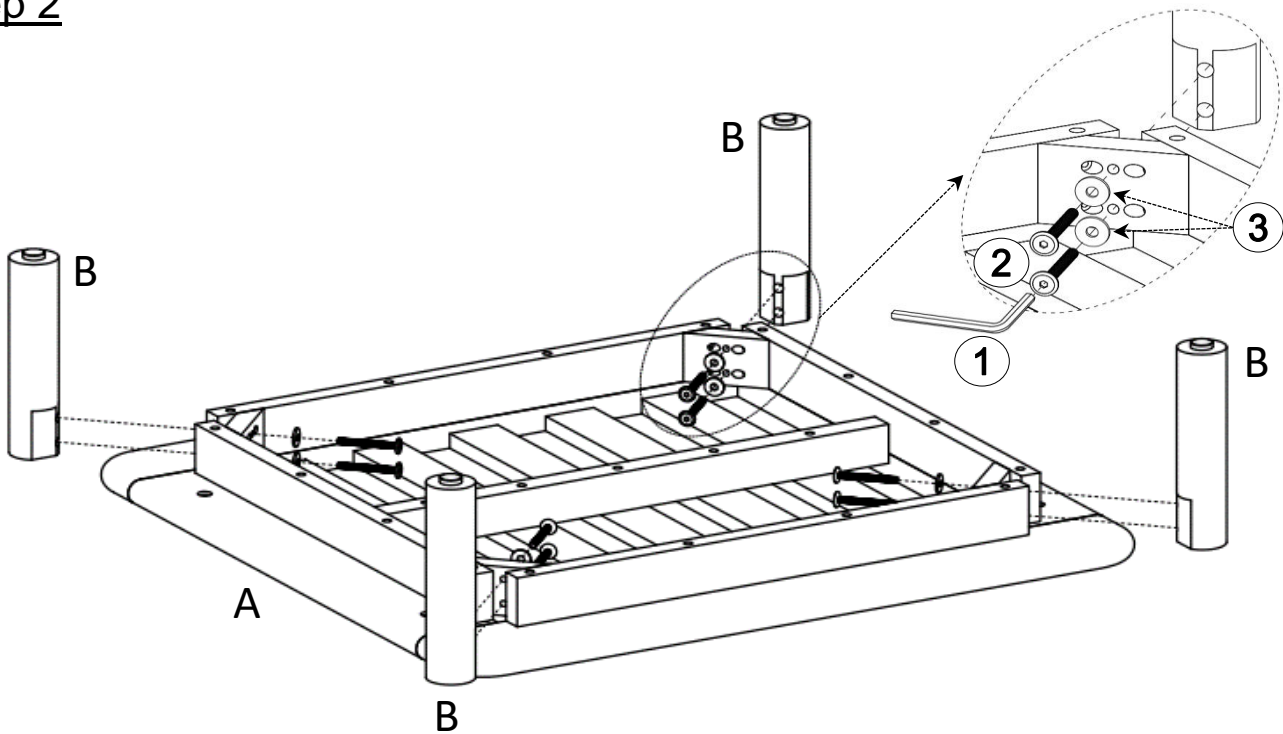
This Chair has multiple parts and may require up to 30 minutes to assemble. To give you an overview of the Chair, the above picture is to help you put the various parts into perspective. Please read through the instructions here below to familiarise yourself with the parts and steps before assembly.

## Step 1



Unpack and place all parts on a clean, non-marring surface.

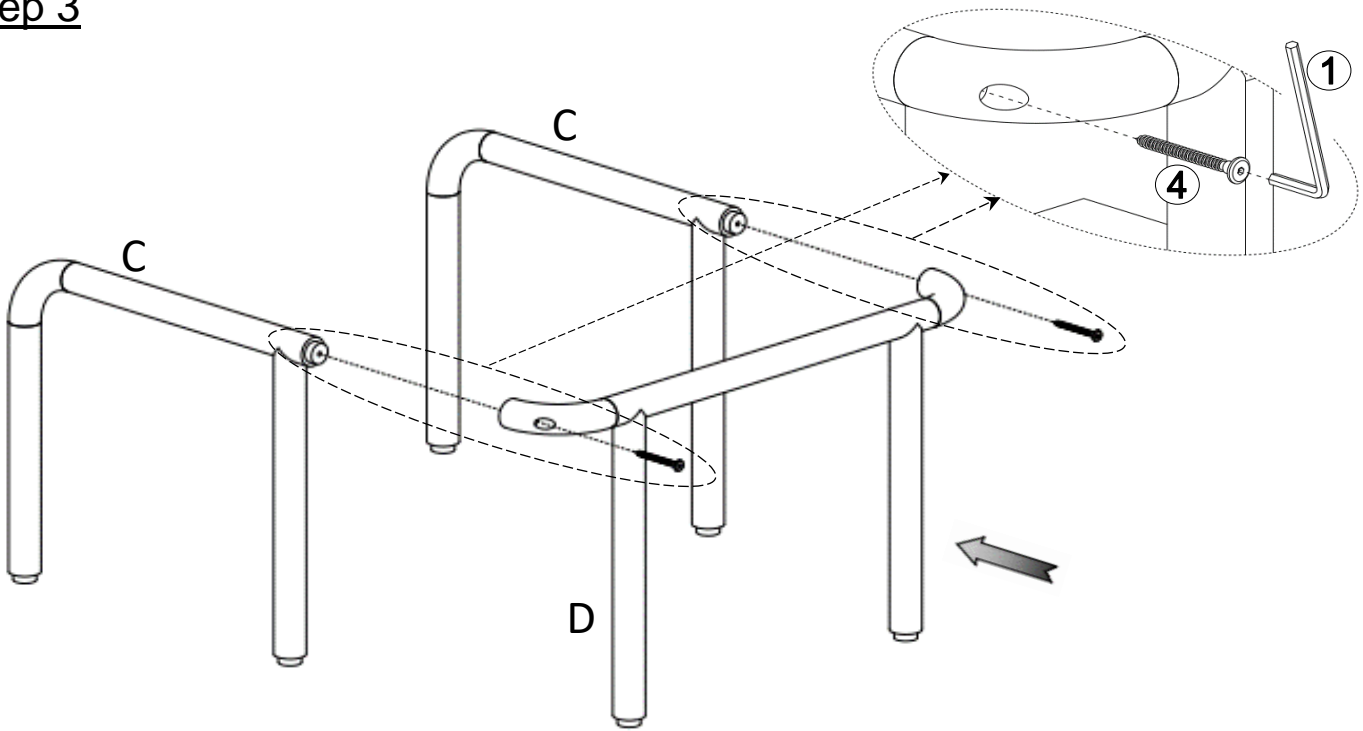
## Step 2



With assistance from you adult partner, place Seat Panel (A) facing down then attach Legs (B) to Seat Panel (A) by using Bolts (②) and Washers (③) with Allen Wrench (①) as shown above.

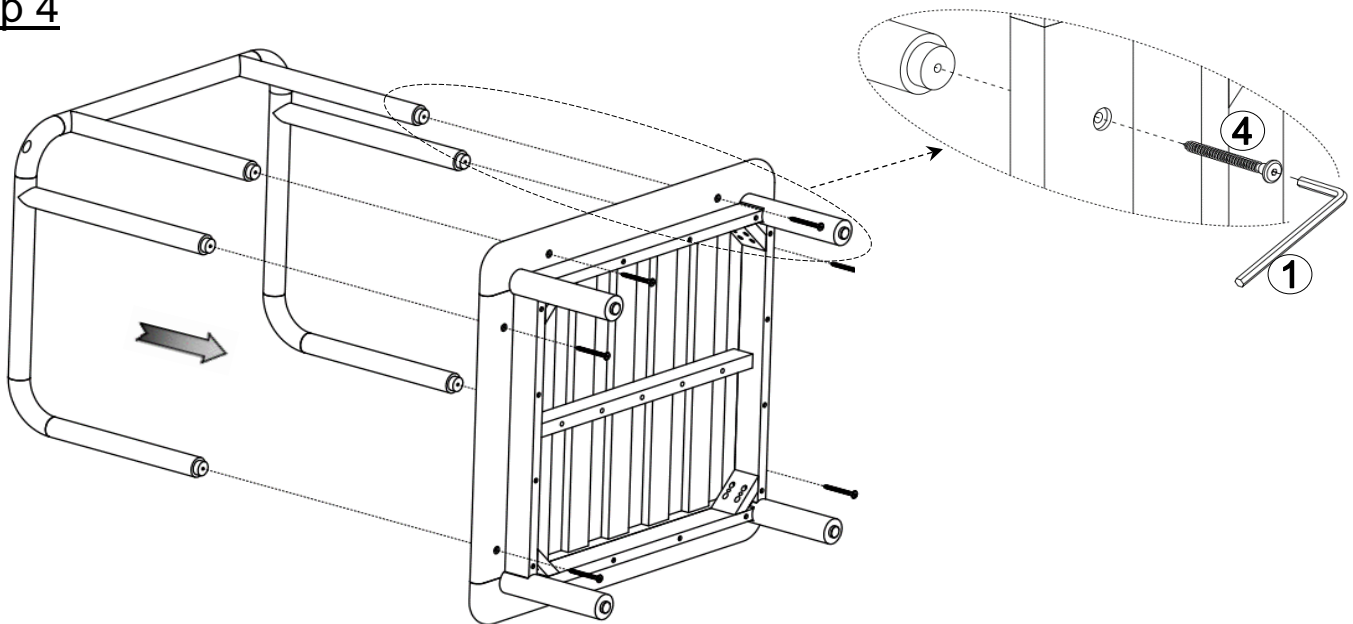
**DO NOT fully tighten the Bolts.**

### Step 3



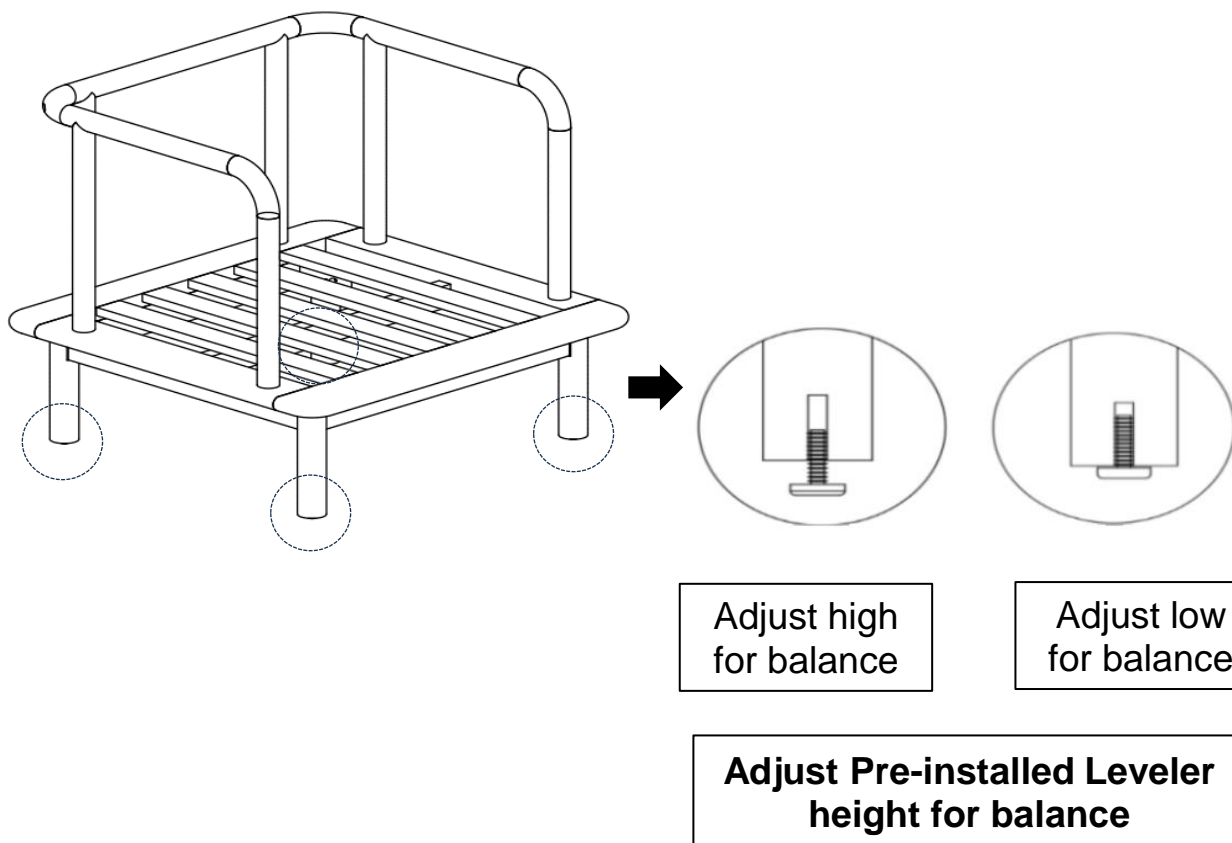
With assistance from you adult partner, attach Backrest Panel (D) to Arm Panels (C) by using Screws (④) and Allen Wrench (①) as shown above. **DO NOT fully tighten the Screws.**

### Step 4



With assistance from your adult partner, turn the assembled part in Step 2 front facing down then attach the assembled part in Step 3 to Seat Panel (A) by using Screws (④) and Allen Wrench (①) as shown above. **DO NOT fully tighten the Screws.**

## Step 5



Inspect it and make sure all parts are adequately connected.

Turn the Chair right side up.

Gently and gracefully, sit onto the Chair.

This will help to align all the parts at all joint areas.

Then get off the Chair and proceed to tighten the Bolts and Screws in a sequential manner.

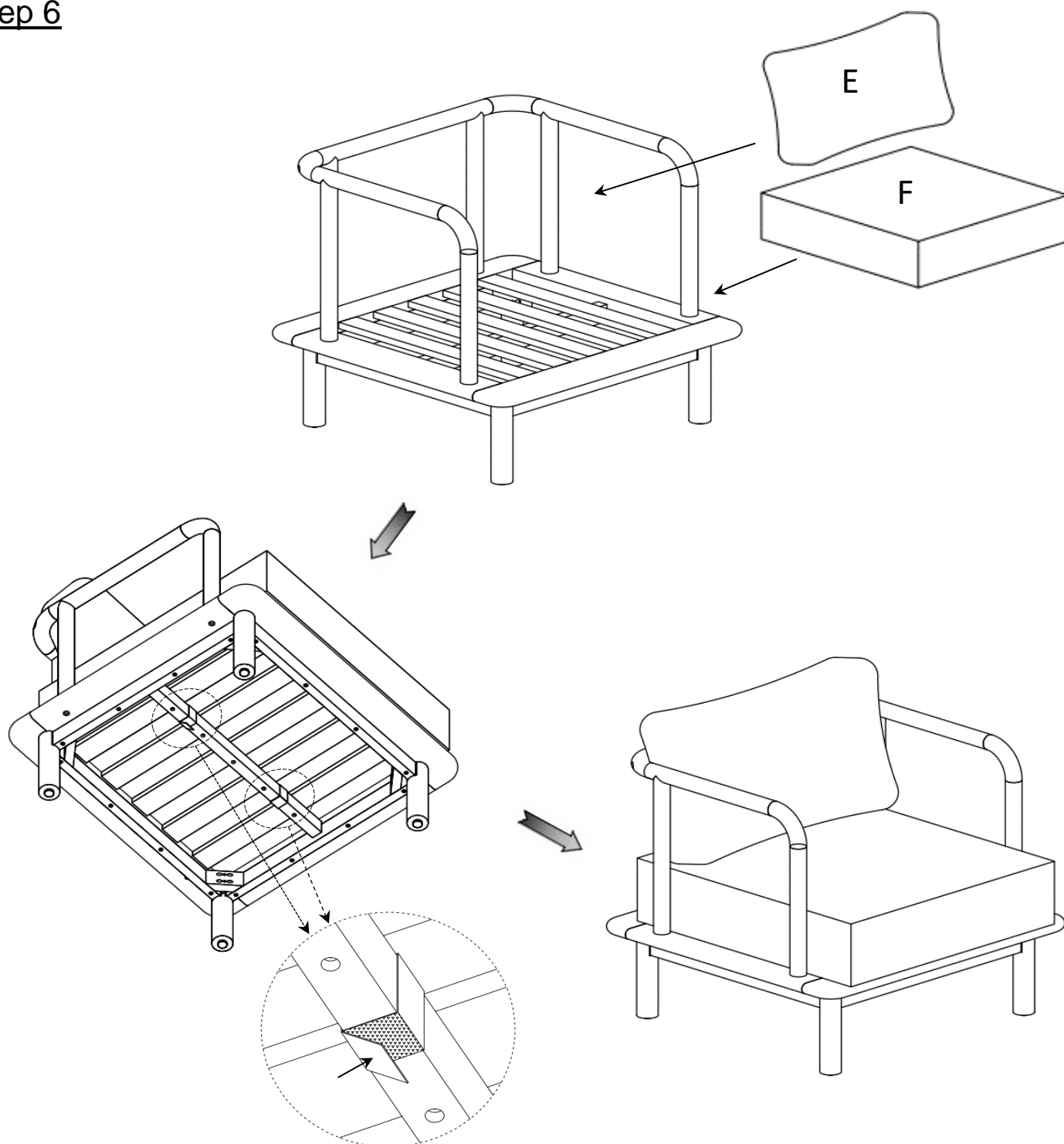
When tightening the Bolts, Screws tighten sequentially.

**DO NOT tighten any Bolts, Screws fully and then move on towards the next one.**

**If there are still wobbles, loosen the Bolts, Screws and execute this same process.**

Adjust Pre-installed Leveler height for balance as shown above.

## Step 6



Place Seat Cushion (F) by affix the Magic Tape Straps on the seat slats of Seat Panel (A) as shown above, then place Back Cushion (E) onto Seat Cushion (F) as shown above.

**Your Chair is ready to use.**

**This Chair can only be used on a flat, level surface.**

## **Questions & Answers about Proposition 65**

- What is Proposition 65?

Proposition 65 requires businesses to provide warnings to Californians about significant exposures to chemicals that cause cancer, birth defects or other reproductive harm. These chemicals can be in the products that Californians purchase, in their homes or workplaces, or that are released into the environment. By requiring that this information be provided, Proposition 65 enables Californians to make informed decisions about their exposures to these chemicals.

Proposition 65 also prohibits California businesses from knowingly discharging significant amounts of listed chemicals into sources of drinking water.

Proposition 65 requires California to publish a list of chemicals known to cause cancer, birth defects or other reproductive harm. This list, which must be updated at least once a year, has grown to include approximately 900 chemicals since it was first published in 1987.

- What types of chemicals are on the Proposition 65 list?

The list contains a wide range of naturally occurring and synthetic chemicals that include additives or ingredients in pesticides, common household products, food, drugs, dyes, or solvents. Listed chemicals may also be used in manufacturing and construction, or they may be byproducts of chemical processes, such as motor vehicle exhaust.

- What does a warning mean?

If a warning is placed on a product label or posted or distributed at a workplace, a business, or in rental housing, the business issuing the warning is aware or believes that it is exposing individuals to one or more listed chemicals.

By law, a warning must be given for listed chemicals unless the exposure is low enough to pose no significant risk of cancer or is significantly below levels observed to cause birth defects or other reproductive harm.

- Where can I get more information on Proposition 65?

If you have specific questions on the administration or implementation of Proposition 65, you can contact OEHHA's Proposition 65 program at [P65.Questions@oehha.ca.gov](mailto:P65.Questions@oehha.ca.gov), or by phone at (916) 445-6900.