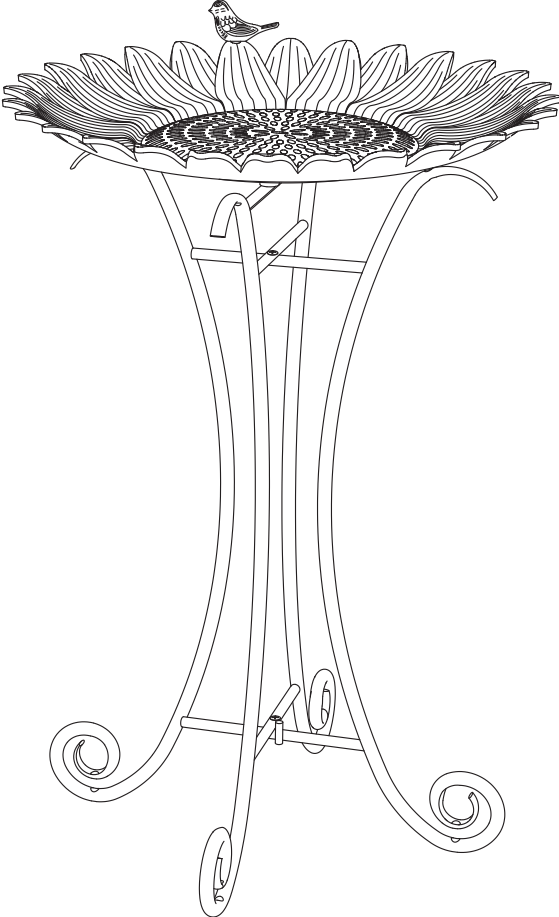


# OWNER MANUAL



**Parts list**

Part #	Description	Quantity	Part #	Description	Quantity
A	Birdbath Bowl	1	BB	Bolt	2
B	Base	1	CC	Washer	3
C	Bird	1	DD	Lock Washer	2
AA	Screws	1	EE	Nut	2

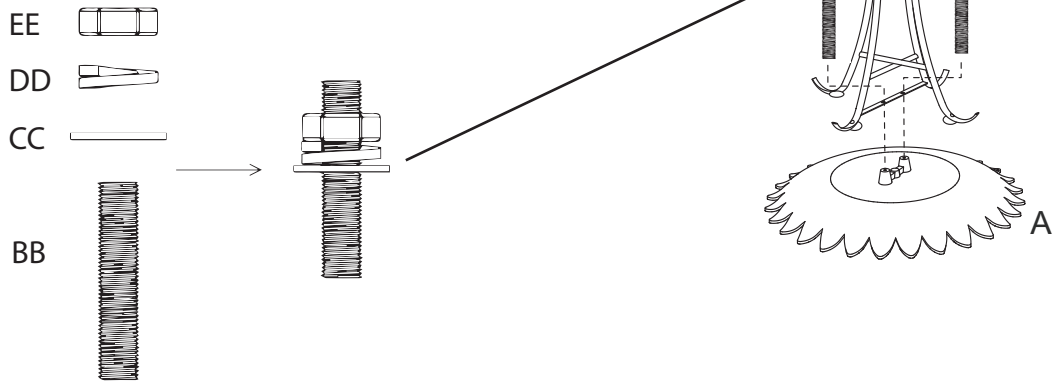
**FRIENDLY REMINDERS**

- \* Heavy! Handle with care. Please keep children away from assembly area.
- \* During assembly, place the empty carton beneath the casting parts to protect the finish from damage.
- \* Do not over-tighten. Aluminum is a soft metal, insert bolts carefully and don't over-tighten.

## ASSEMBLY INSTRUCTIONS

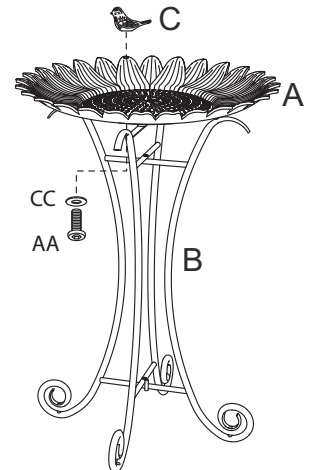
### Step 1

Turn the Birdbath Bowl (A) upside down on a soft surface. Attach the Base (B) to the Birdbath Bowl (A) by using two Bolts (BB), two Washers (CC), and two Lock Washers (DD). Tighten with two Nuts (EE).



### Step 2

Turn the whole birdbath right side up. Screw the Bird (C) on the Birdbath Bowl (A) using one Screws (AA) and one Washers (CC).



### Special Notes

This birdbath is made with an old world, traditional hand-crafted look. Because of the nature of cast iron or aluminum, you may find roughness on the surface of the design. Slight pinholes are also present in the metal casting that is customary to hand-crafted original iron work. These irregularities enhance the individuality of the piece. They should not be considered defects.

### Care and Maintenance

1. Should the finish get scratched down to metal surface, cover the scratched area with enamel paint as soon as possible to keep the best condition.
2. Cleaning - Use mild soap and water. Do not use harsh abrasive material, cleansers or bleach products. Rinse with clean water and dry thoroughly with rags or direct sunlight.
3. Periodically check and tighten all bolts.