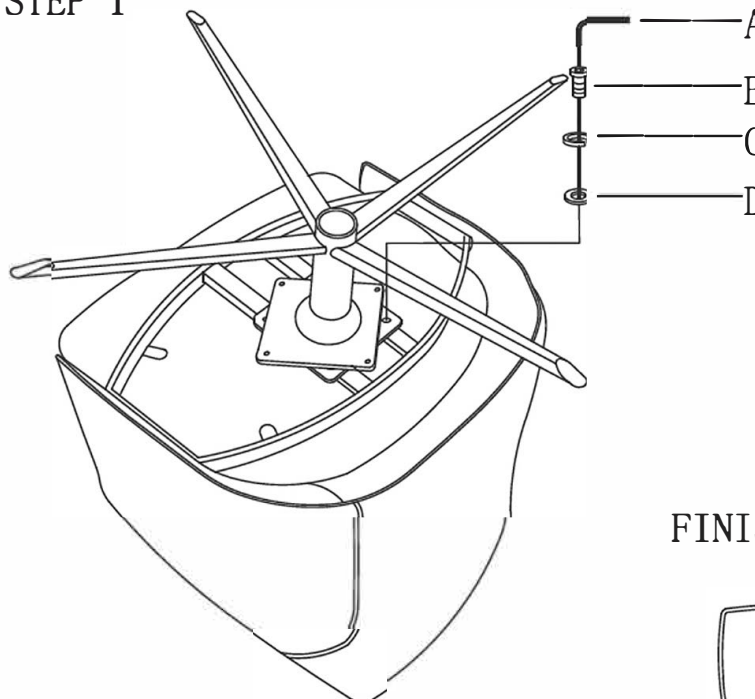


# Assembly Instructions Lounge Chair



STEP 1



FINISHED



A (1 pc)  
5mm



B (4 pcs)  
M8x15



C (4 pcs)  
Ø8



D (4 pcs)  
Ø8

During assembly, hand tighten screws only.  
When all screws are in place, then tighten completely.