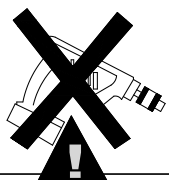
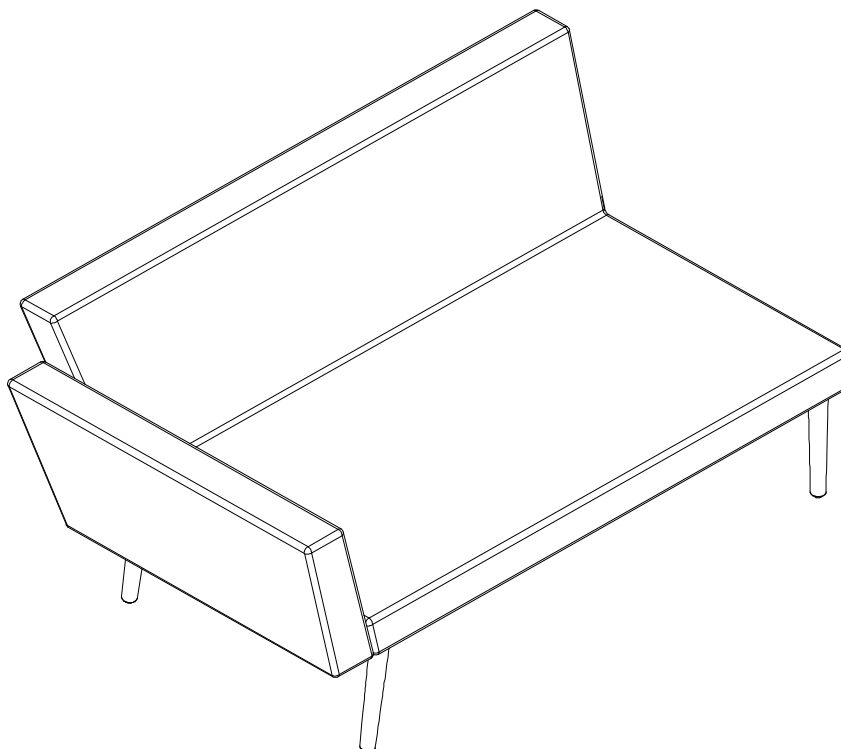
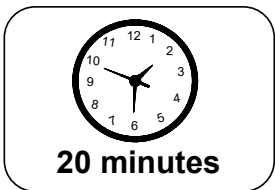
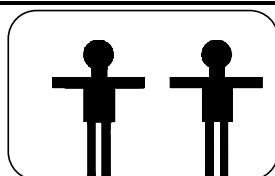


# ASSEMBLY INSTRUCTIONS

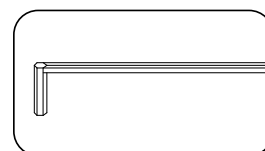
## BENCH-R



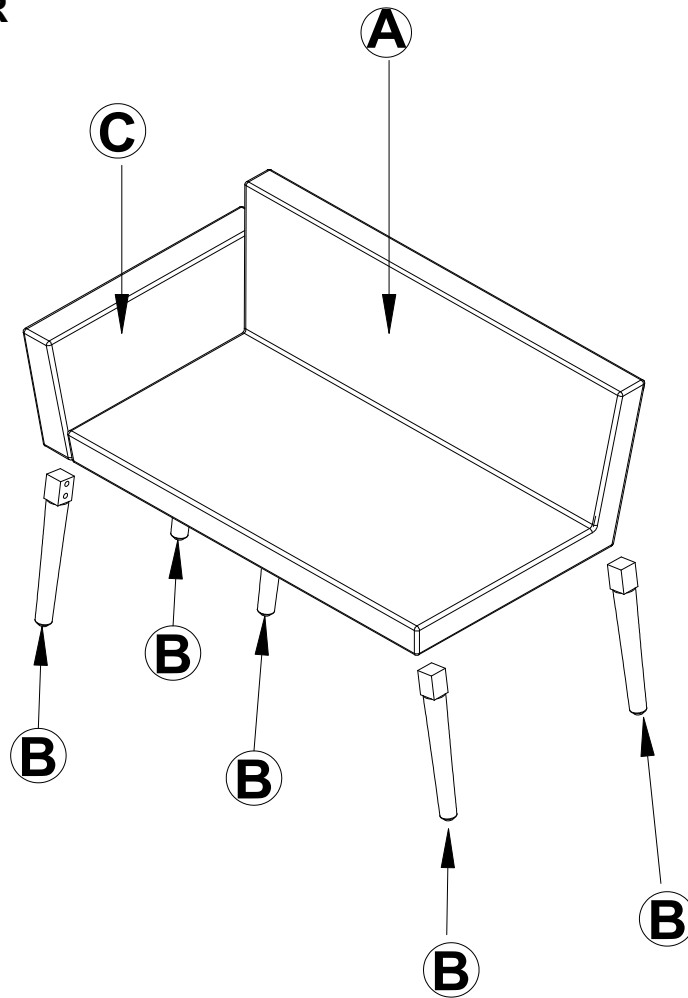
. Use of power tool to assemble this product will invalidate any claim and damage this product making it unsafe!!!  
. Please assemble on a clean soft surface to avoid damage.



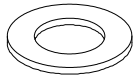
### Tool Included

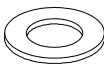



# Part List- Bench R



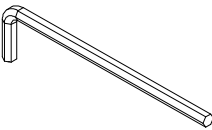
Identifying the hardware-Identify the hardware using the illustrations below.

**D**  **02**  
**DIA.20mm**

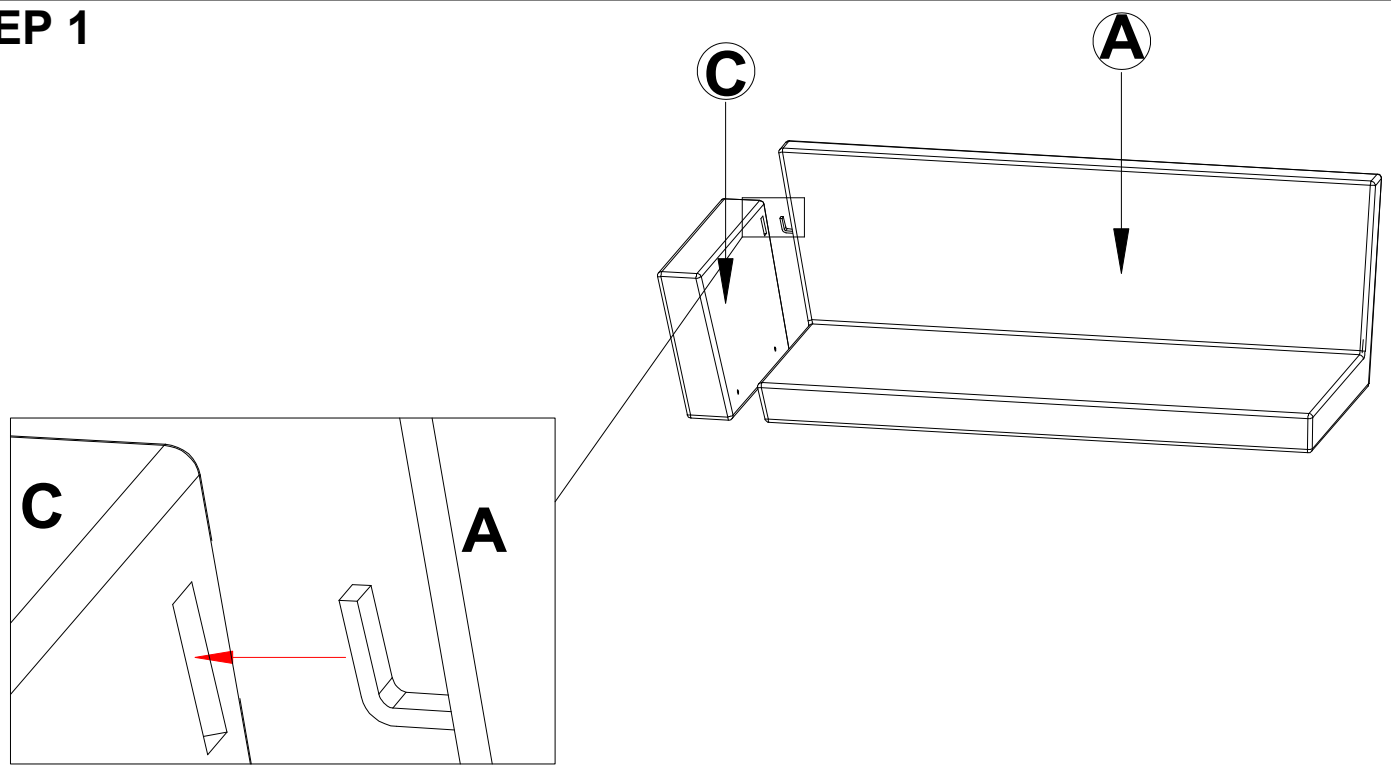
**E**  **10**  
**DIA.15mm**

**F**  **02**  
**M8x50mm**

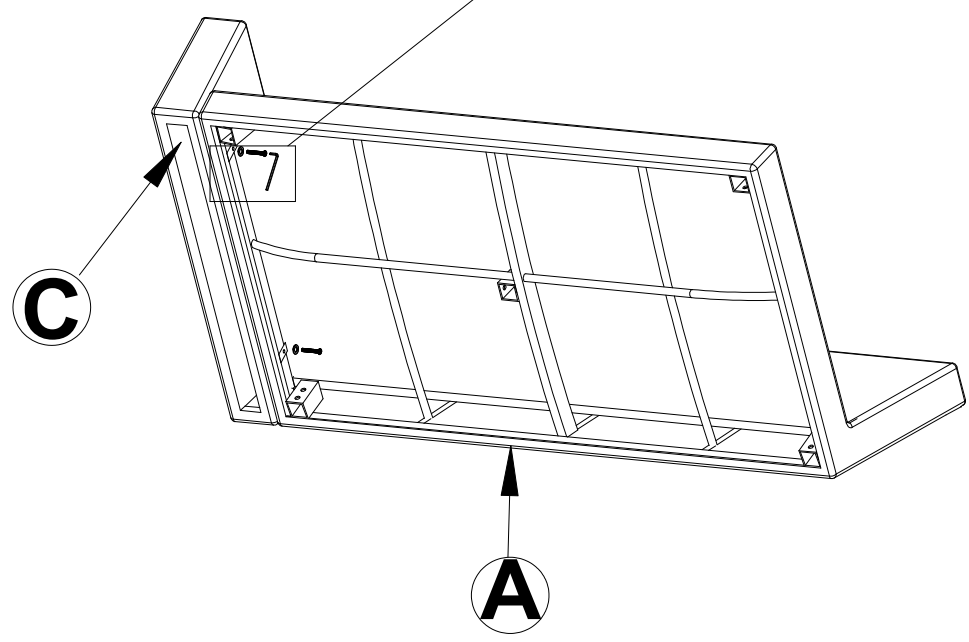
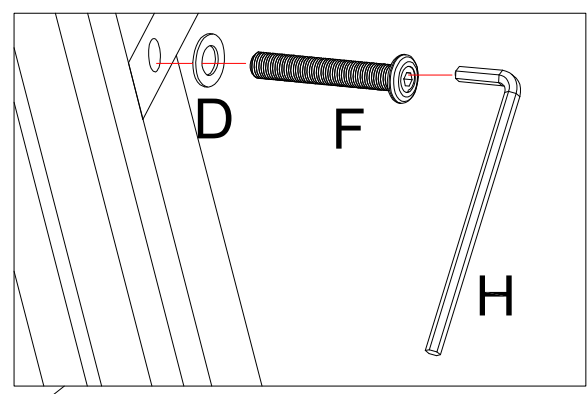
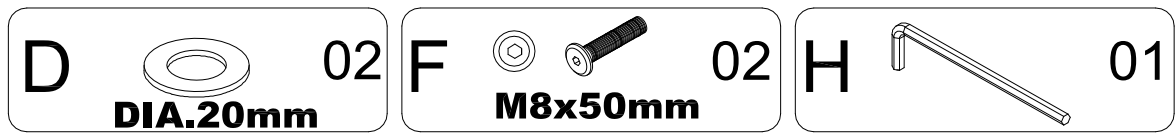
**G**  **10**  
**M6x20mm**

**H**  **01**

# STEP 1



# STEP 2



# STEP 3

