

Bypass Bath Doors      Bypass Shower Doors

USA: 1-800-STERLING (1-800-783-7546)  
Mexico: 001-877-680-1310  
SterlingPlumbing.com

**WARNING: Risk of serious injury.** Damage prior to installation can result in glass shattering. Inspect the glass and all parts for damage before installation.

**WARNING: Risk of serious injury.** Improper installation can result in glass shattering. Follow all installation instructions.

**NOTICE:** Do not touch the edges of the tempered glass with tools or any other hard objects. Do not set the unframed tempered glass directly on the floor or any hard surface.

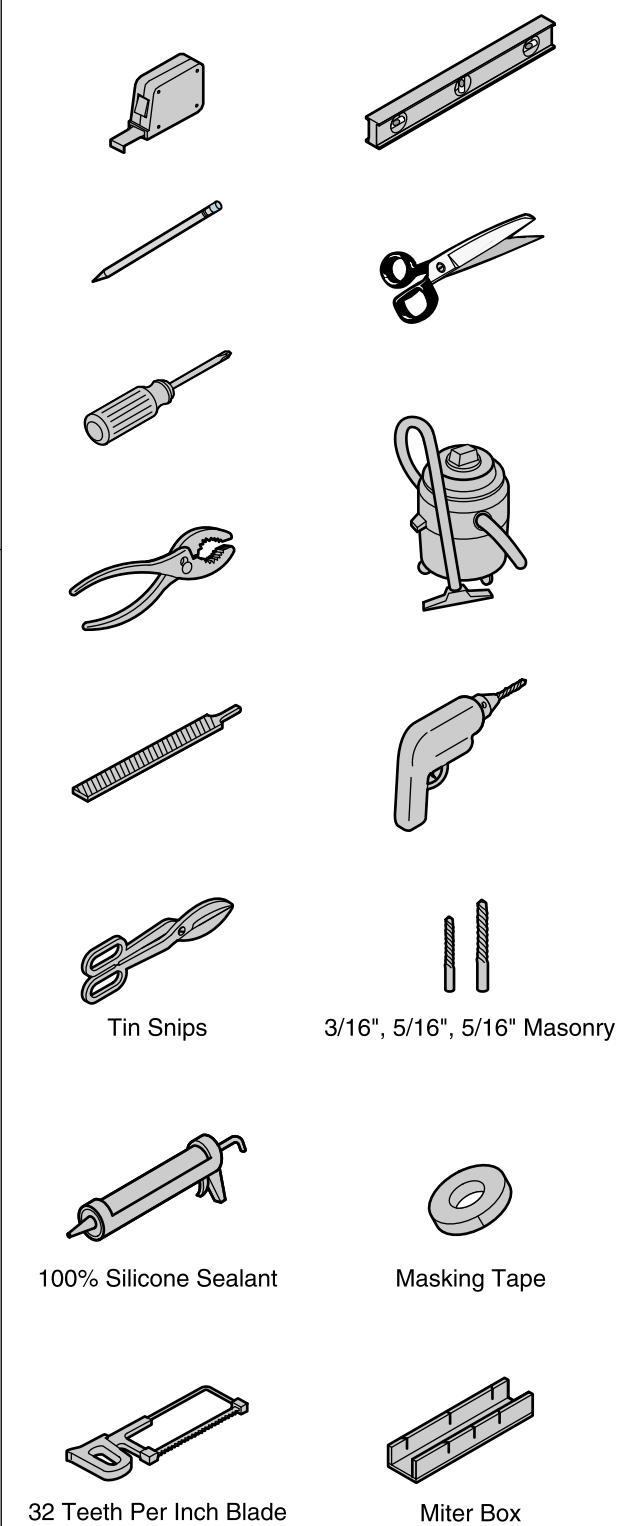
**WARNING: Risk of serious injury.** Do not cut tempered glass. Tempered glass will shatter if cut.

**WARNING: Risk of serious injury.** Shower door and side panels can shatter. Regularly inspect the glass and all parts for damage, missing, or loose parts.

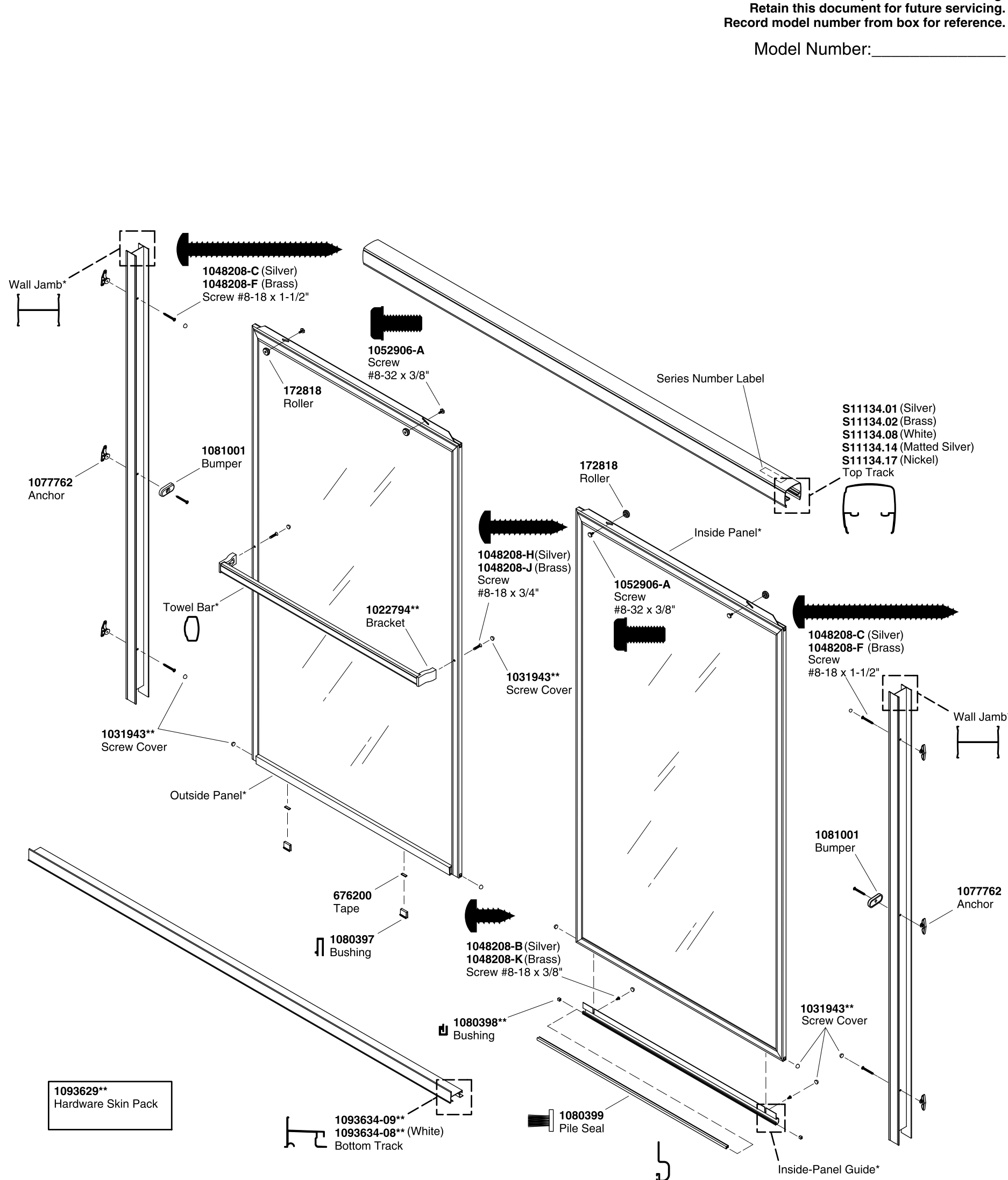
**WARNING: Risk of serious injury.** Always wear safety glasses while cutting and drilling.

**IMPORTANT: Leave this manual for the end user.** Read these instructions before installing or using this product.

### Required Tools



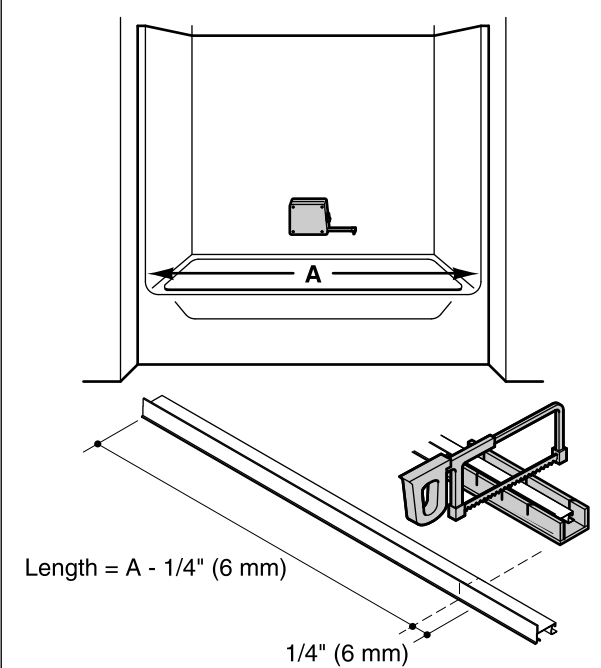
### Parts Identification



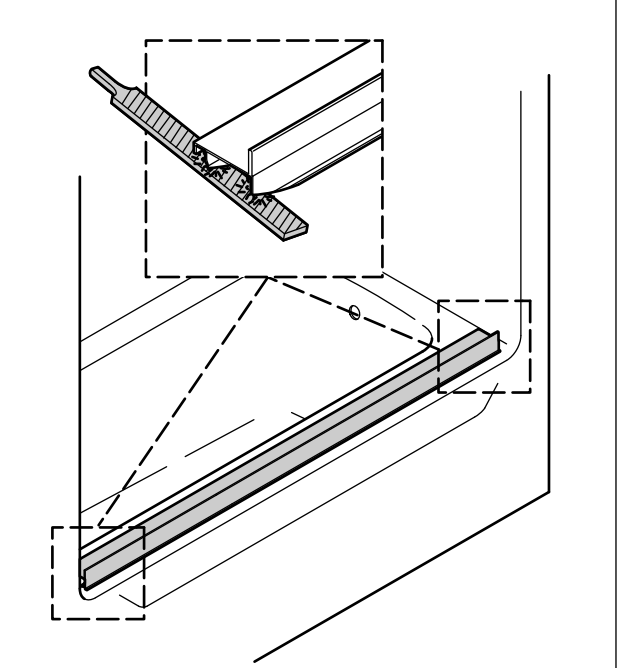
\*Call Customer Care Center to order replacement parts.  
\*\*Finish/color code must be specified when ordering.  
Retain this document for future servicing.  
Record model number from box for reference.  
Model Number: \_\_\_\_\_

**CAUTION: Risk of injury or property damage.** Do not attempt to cut tempered glass.  
**IMPORTANT!** Do not cut the top track the same length as the bottom track.  
Walls must be within 3/8" (1 cm) of plumb.  
Cover drain with tape to avoid loss of small parts.  
Follow the silicone sealant manufacturer's instructions for application and curing time.  
Installation video available at SterlingPlumbing.com.

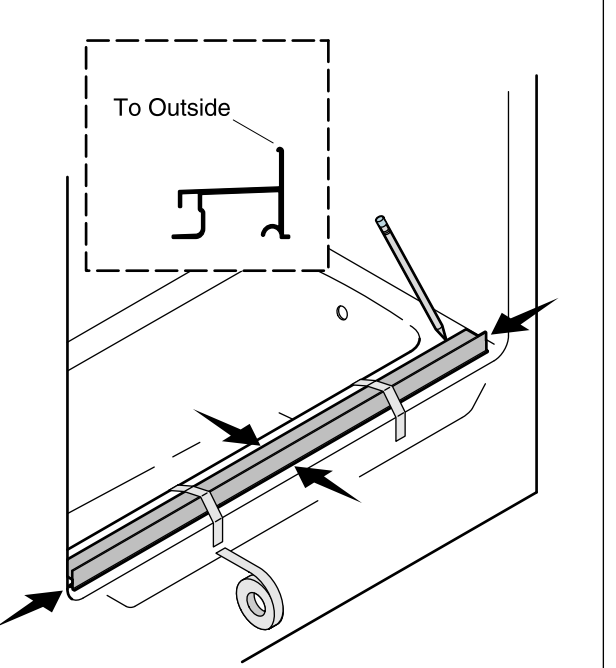
**1** Measure distance "A." Subtract 1/4" (6 mm) from "A" and cut the bottom track.



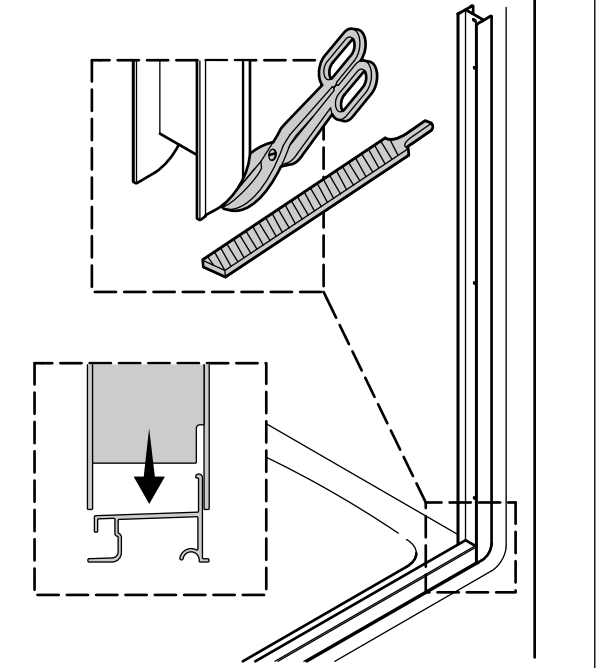
**2** File the bottom-track edges to fit curved corners of the shower or bath unit.



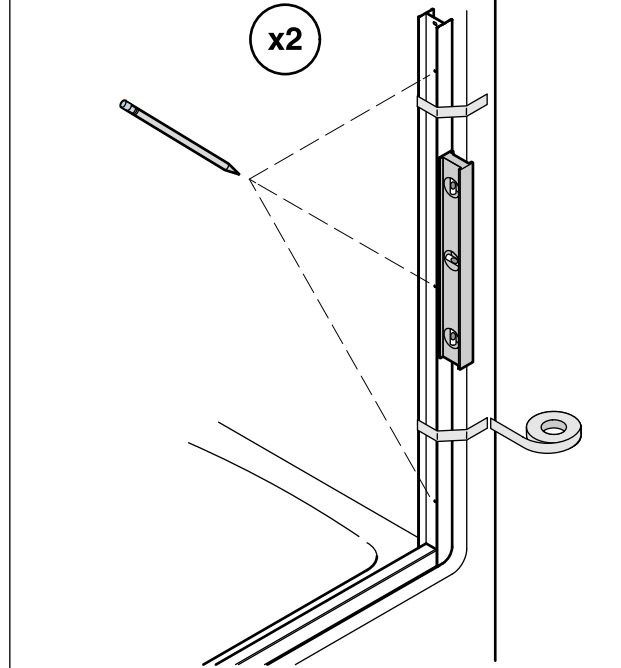
**3** Center the bottom track on the ledge with the leg to the outside. Tape in place and mark position.



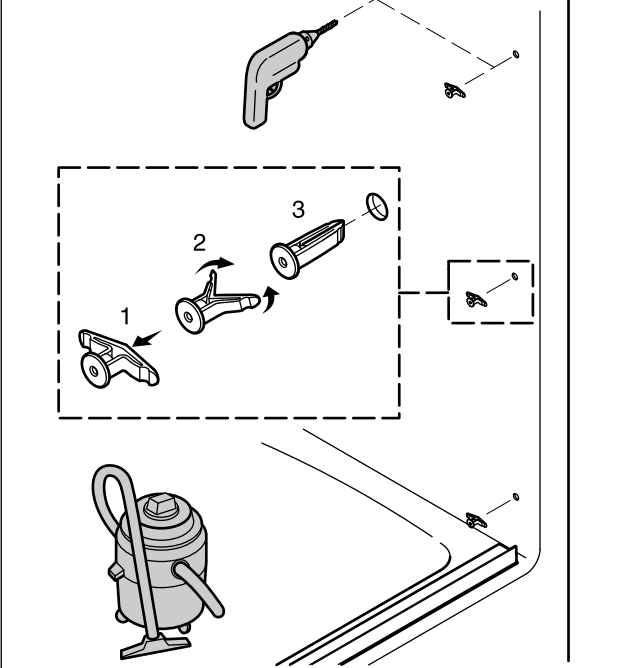
**4** Position the wall jambs over the bottom track. Snip/file bottom edges for a snug fit.



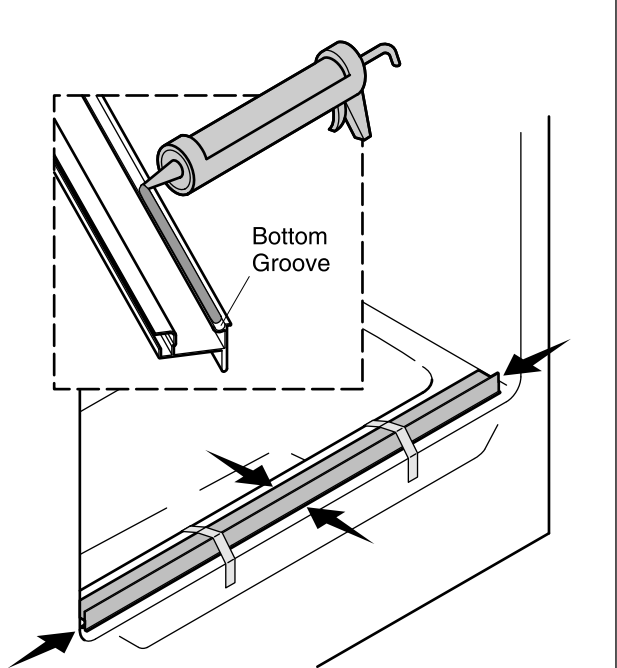
**5** Plumb both wall jambs. Mark the screw holes.



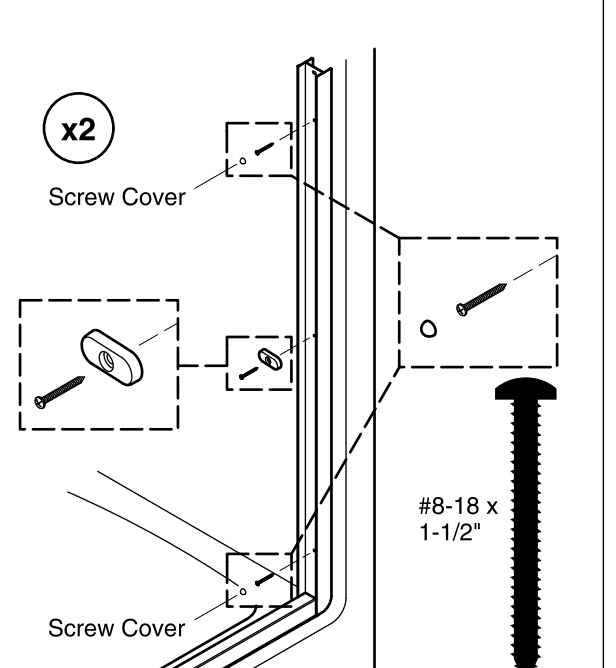
**6** Drill 5/16" holes and insert the anchors.



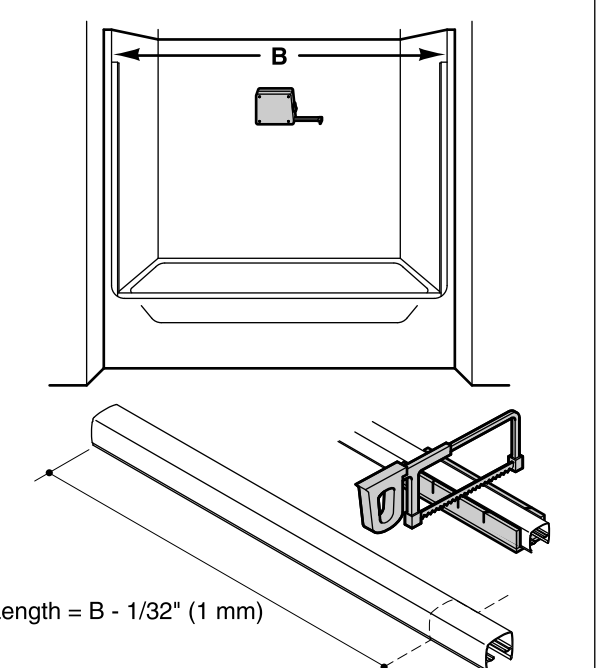
**7** Apply sealant in the groove on the underside of the bottom track. Secure the track to the ledge.

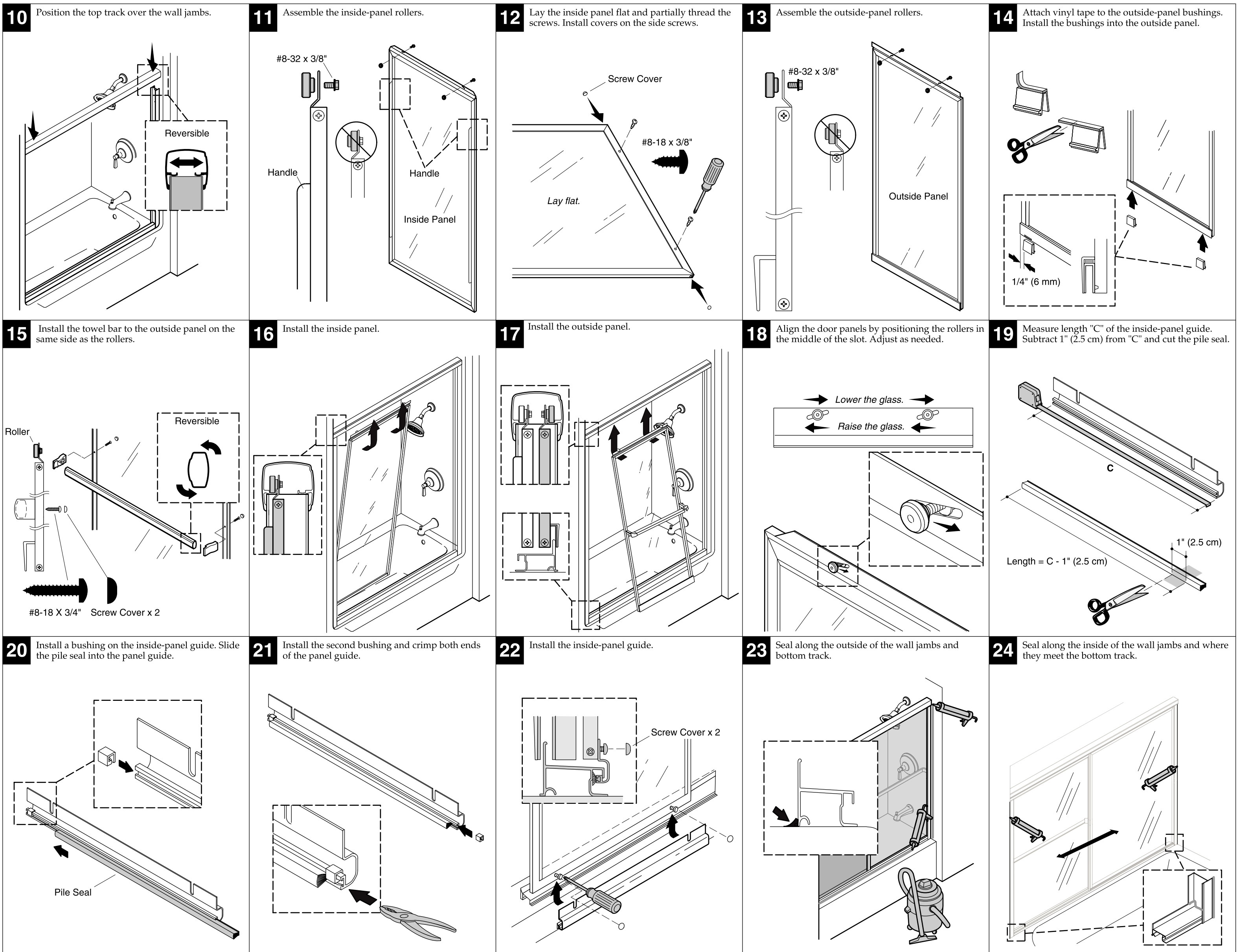


**8** Secure both wall jambs with screws. Attach a bumper only to the middle location.



**9** Measure distance "B" above the jambs. Subtract 1/32" (1 mm) from "B" and cut the top track.





**TROUBLESHOOTING**

Symptom: Alignment	Recommended Action
1. Top of door panel is tilted away from the wall.	A. Remove the door panel from the top track and lower the roller that is closest to the wall. See step 18.
2. Bottom of door panel is tilted away from the wall.	A. Remove the door panel from the top track and raise the roller that is closest to the wall. See step 18.
3. Door panel does not touch bumper.	A. Determine whether door panel top or bottom is closer to the wall, then adjust the roller closest to the wall.
Symptom: Water Leaks	Recommended Action
1. Water leak between panels.	A. When showering, make sure the inside panel is against the showerhead wall.
2. Water leak between wall jamb and door panel.	A. Adjust the door panel to line up with the wall jamb.
3. Water leak under bottom track.	A. Check for proper silicone sealant application. See steps 23 and 24. Apply more silicone sealant in leak location.
Symptom: Operation (open/close)	Recommended Action
1. Outside panel difficult to move.	A. Ensure a gap exists between the bottom track and the door panel. If there is no gap, lower the rollers in the slots. B. Ensure the panel is properly engaged over the bottom track. See step 17. C. Ensure the rollers are properly installed. See step 18. D. Clean any debris in the top track groove.
2. Inside panel difficult to move.	A. Ensure a gap exists between the bottom track and the door panel. If there is no gap, lower the rollers in the slots. B. Ensure the inside-panel guide is properly secured to the bottom-frame screws. See step 22. C. Ensure the bushings are properly installed in the bottom frame. See step 21. D. Ensure the rollers are properly installed. See step 18. E. Clean any debris in the top track groove.

**WARRANTY**

**5 YEARS LIMITED**  
5100 Series, 5300 Series, 5400 Series, 6300 Series, 6500 Series

**3 YEARS LIMITED**  
1500 Series, 1900 Series, 2200 Series, 5900 Series

**1 YEAR LIMITED**  
500 Series, 600 Series, 660 Series, 670 Series, 690 Series, 950 Series, 2300 Series, 2900 Series, 3100 Series

Based on the classification specified above, STERLING bath and shower doors are warranted to be free of manufacturing defects within the time of the specified model's limited warranty from date of sale.

Kohler Co. will, at its election, repair, rectify or replace a fixture when inspection by Kohler Co. discloses any such defects occurring in normal usage within the time period of coverage stated above. Kohler Co. is not responsible for removal or installation costs where replacement is indicated. Damages due to improper handling, installation or maintenance are not considered manufacturing defects and are not covered by this warranty. This warranty is valid for the original, consumer purchaser only.

To obtain warranty service, contact Sterling, either through your plumbing contractor, home center, wholesaler or dealer, or by calling or writing Sterling, Consumer Services, 444 Highland Drive, Kohler, Wisconsin 53044, 1-800-783-7546.

**TO THE EXTENT PERMITTED BY LAW, ALL IMPLIED WARRANTIES INCLUDING THOSE OF MERCHANTABILITY AND FITNESS FOR A PARTICULAR PURPOSE ARE HEREBY DISCLAIMED. KOHLER CO. AND SELLER HEREBY DISCLAIM ANY LIABILITY FOR SPECIAL, INCIDENTAL OR CONSEQUENTIAL DAMAGES.** Some states/provinces do not allow limitations on how long an implied warranty lasts, or the exclusion or limitation of special, incidental or consequential damages, so these limitations and exclusions may not apply to you. This warranty gives you specific legal rights. You may also have other rights which vary from state/province to state/province.

**This is the exclusive written warranty for Kohler Co.**