

3 SEATER ASSEMBLY INSTRUCTION

Thank you for purchasing this quality product. Be sure to check all packing material carefully for small parts which may have come loose inside the carton during shipment. Separate, identify and count all parts and hardware. Compare with the parts list to be sure all parts are present.

IMPORTANT : PLEASE READ INSTRUCTION BEFORE STARTING THE ASSEMBLY.

"DO NOT TIGHTEN SCREWS UNTIL COMPLETELY ASSEMBLED"

"DO NOT OVERTIGHT ANY HARDWARE"

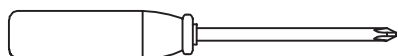
WARNING : SMALL PARTS AND HARDWARE NOT FOR CHILDREN UNDER 3 YEARS. ADULT ASSEMBLY REQUIRED.

TABLE OF CONTENTS

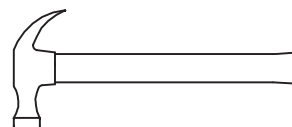
| | |
|--------------------|------------|
| PARTS LIST | PAGE 2 |
| PARTS' LOCATION | PAGE 3 |
| ASSEMBLY STEPS | PAGE 4 - 6 |
| ASSEMBLY COMPLETED | PAGE 6 |

ASSEMBLY TOOLS REQUIRED

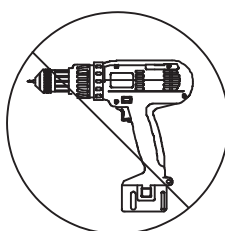
1. Screwdriver (not provide)



2. Hammer (not provide)

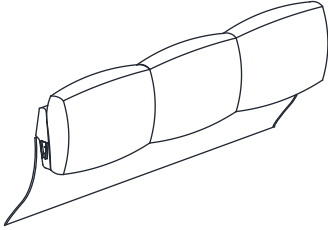
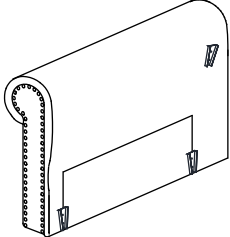
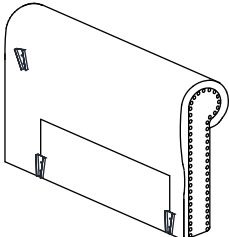
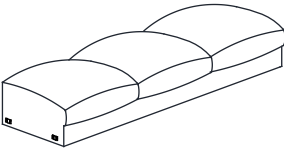



Skip the power drill this time.



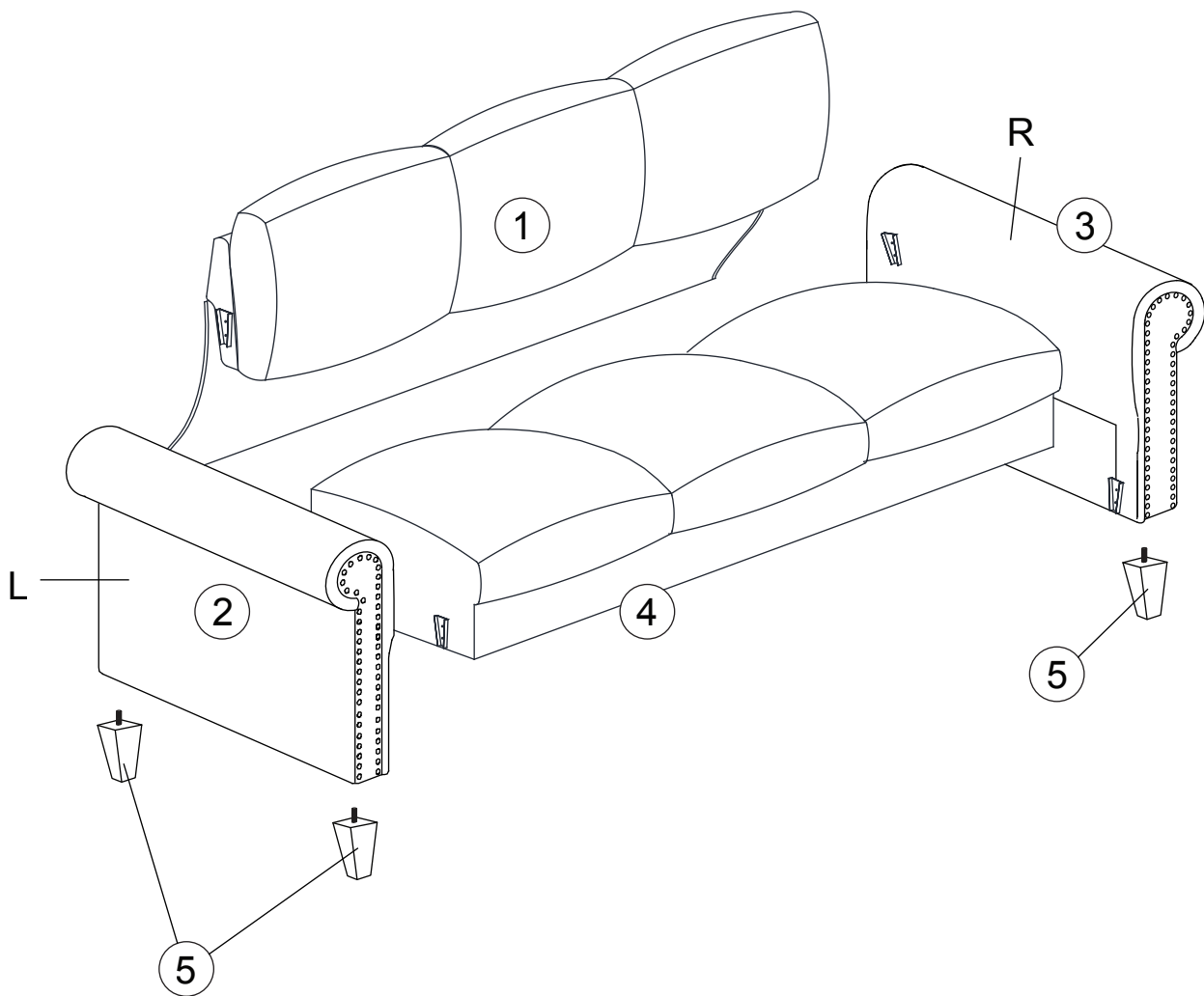
3 SEATER ASSEMBLY INSTRUCTION

PARTS LIST

| ITEM | DESCRIPTION | DRAWING | QTY |
|------|----------------|--|------|
| 1 | BACK REST |  | 1 PC |
| 2 | SIDE PANEL (L) |  | 1 PC |
| 3 | SIDE PANEL (R) |  | 1 PC |
| 4 | SEAT |  | 1 PC |
| 5 | LEG |  | 4PCS |

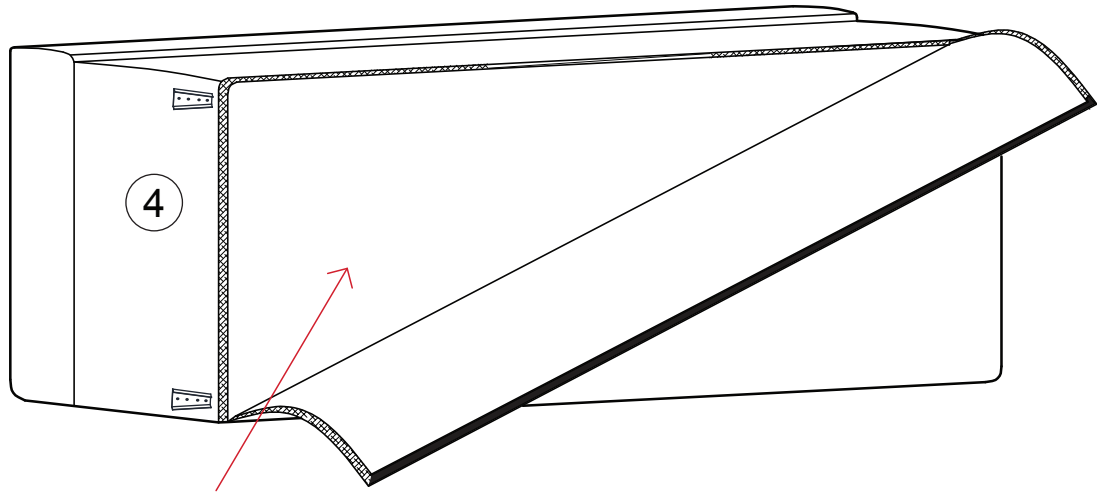
3 SEATER ASSEMBLY INSTRUCTION

PARTS ' LOCATION



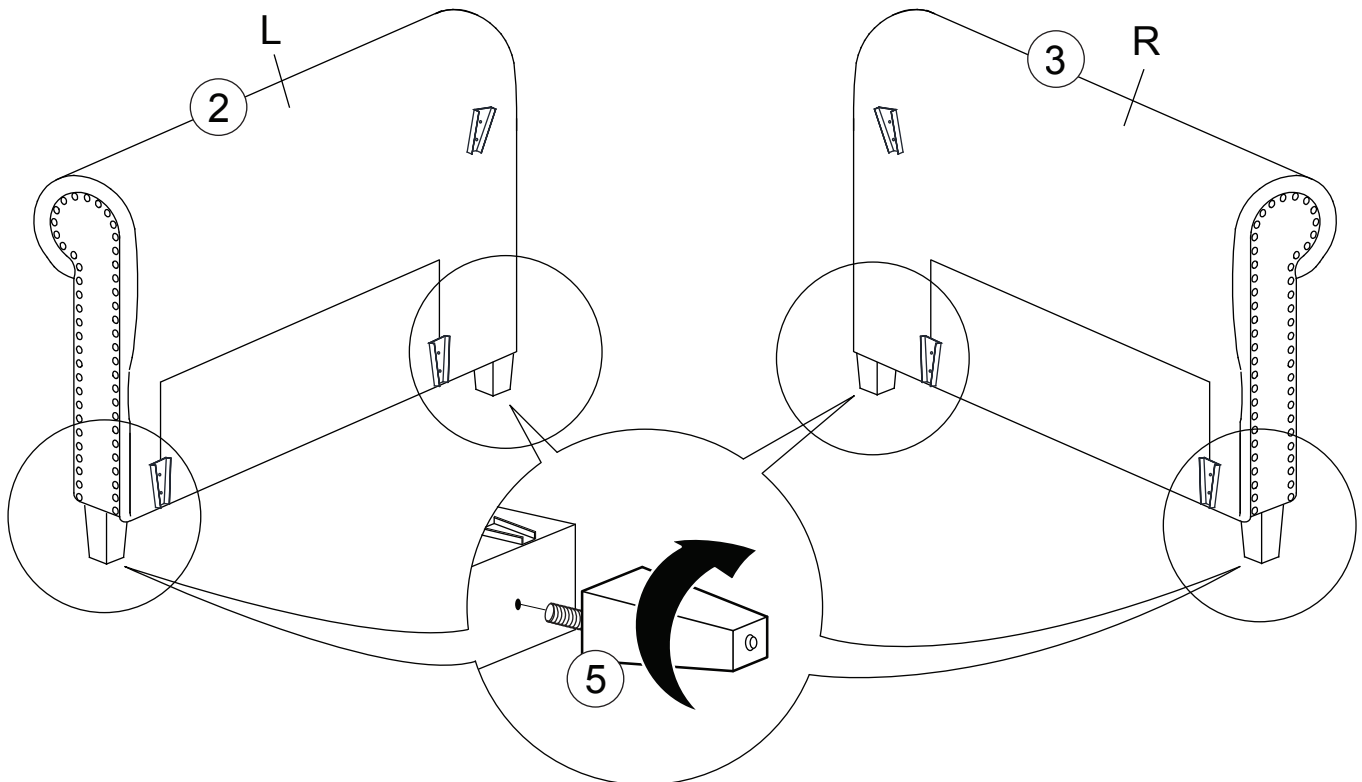
3 SEATER ASSEMBLY INSTRUCTION

STEP 1



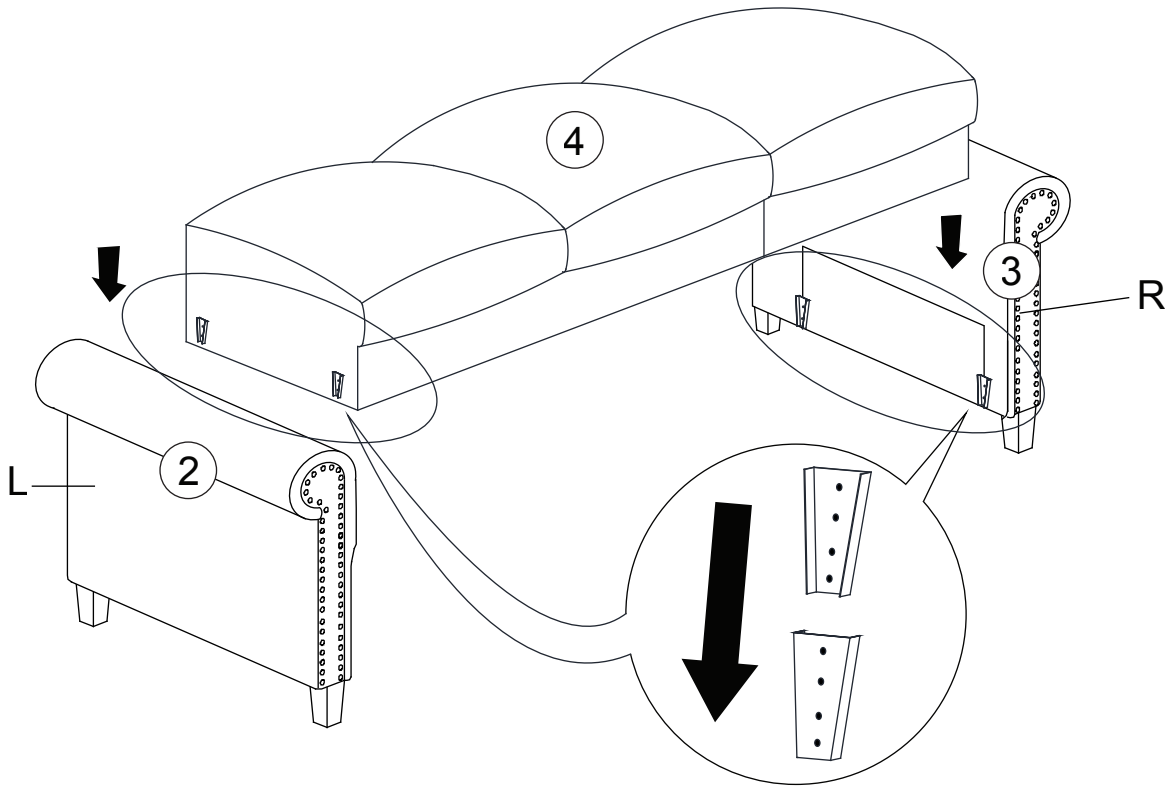
Get all others parts from compartment of seat frame.

STEP 2

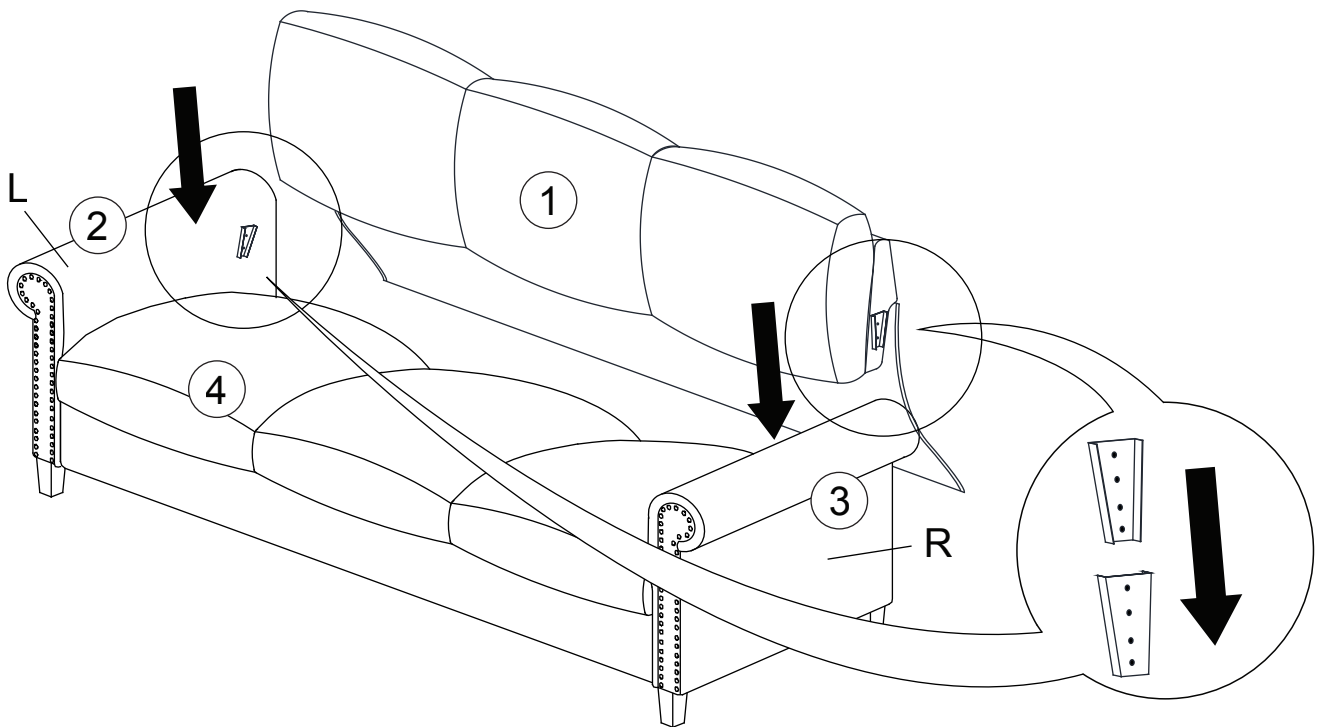


3 SEATER ASSEMBLY INSTRUCTION

STEP 3

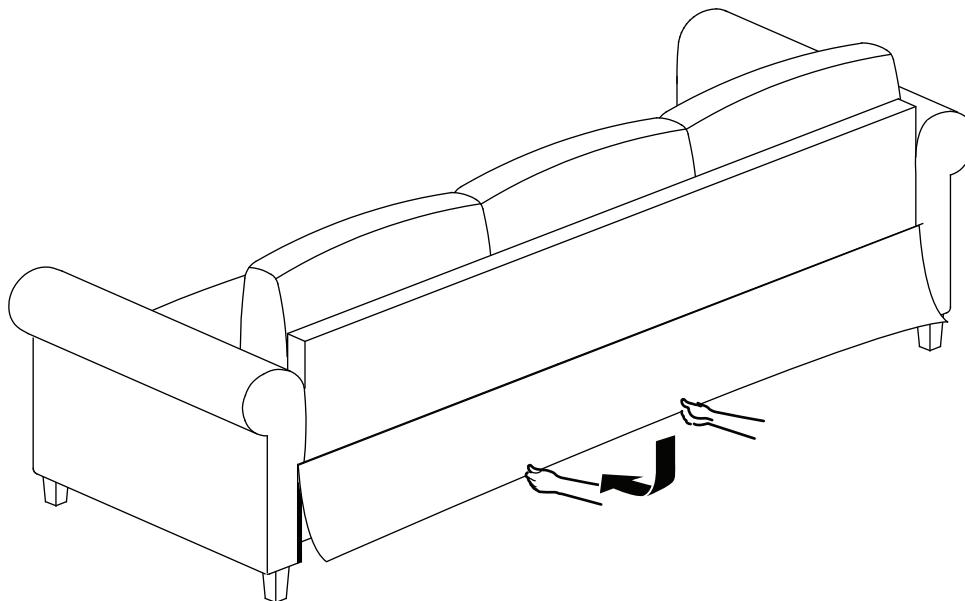


STEP 4

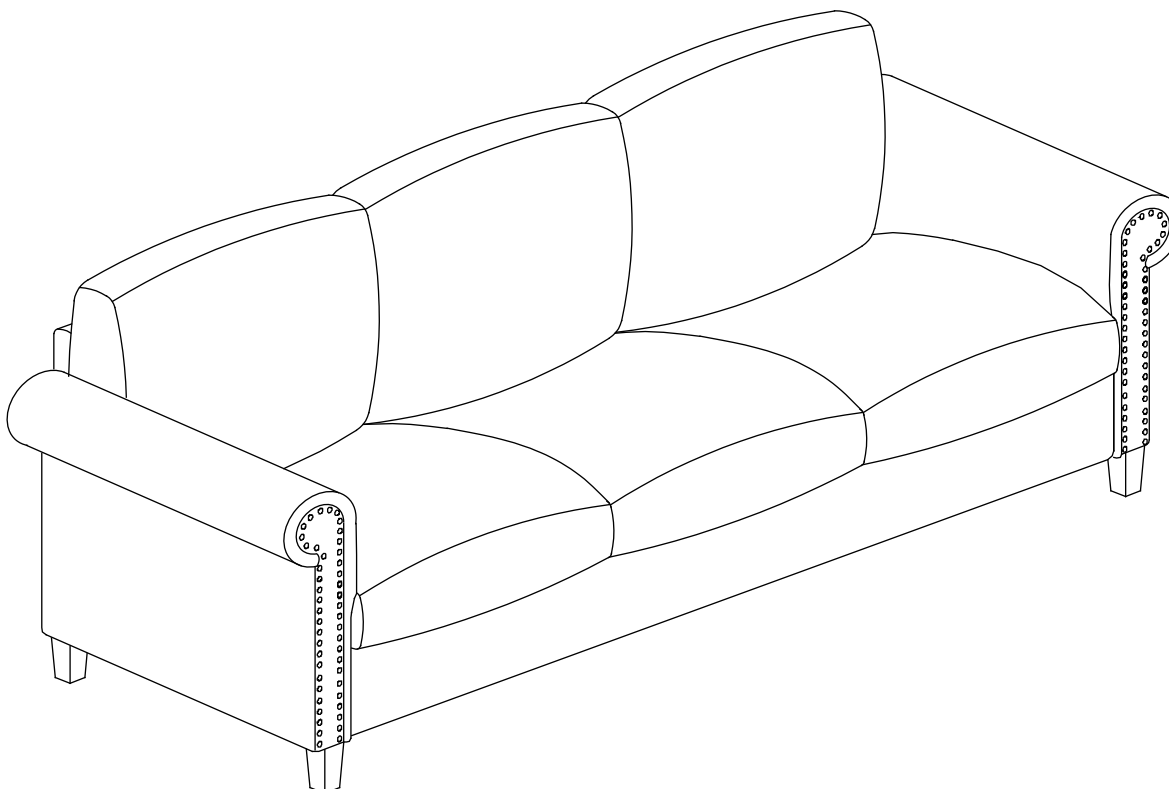


3 SEATER ASSEMBLY INSTRUCTION

STEP 5



STEP 6



ASSEMBLY COMPLETED