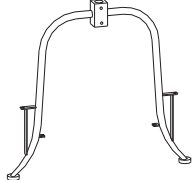

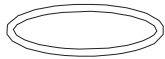

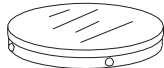






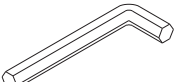
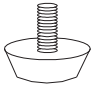
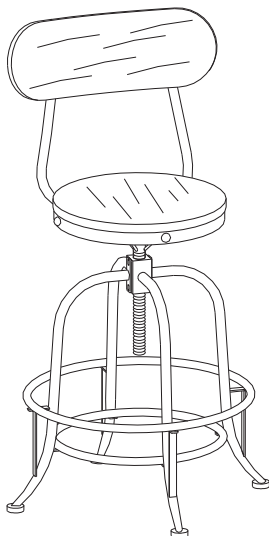


ASSEMBLY INSTRUCTION

ADJUSTABLE COUNTER HEIGHT CHAIR WITH BACK

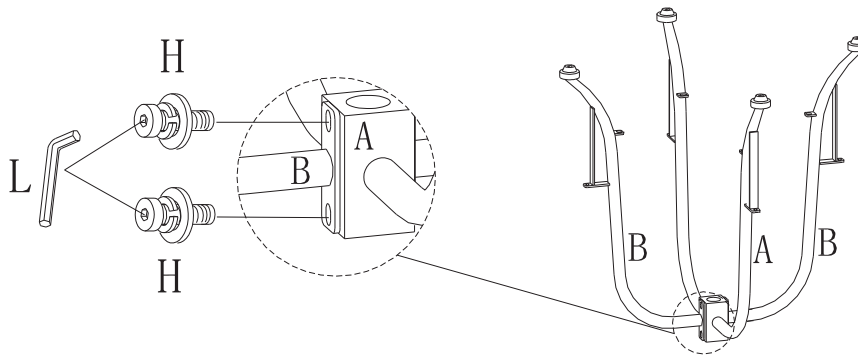
A Leg	B Leg	C Bottom Ring	D Middle Ring	E Seat
				
1 pc	2 pcs	1 pc	1 pc	1 pc
F Screw Pole	G Chair Back	H Bolt with Lock Washer and Flat Washer 1/4", 1/2"	I Bolt with Lock Washer and Flat Washer 1/4", 5/8"	J Flat Head Bolt 5/16", 1"
				
1 pc	1 pc	5 pcs	12 pcs	3 pcs
K Plate	L Allen Key	M Leveler		
				
1 pc	1 pc	4 pcs		



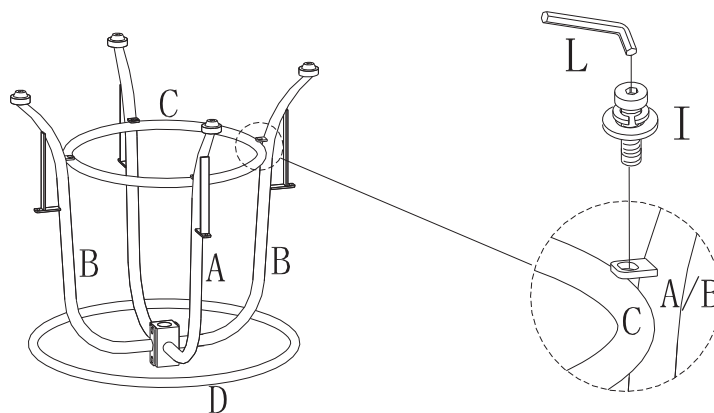
This page lists all the contents included in the box. Please take the time to identify the hardware as well as the individual components to this product. As you unpack and prepare for assembly, place the contents on a carpeted or padded area to protect them from damage.

1

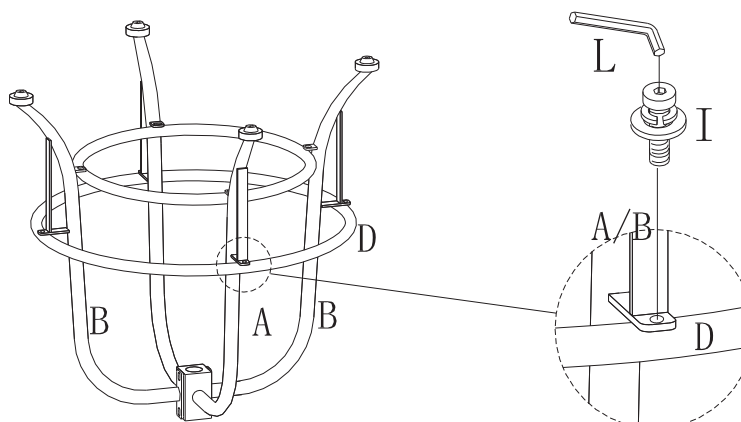
Attach Leg (B) to Leg (A) , using Bolt (H) and Allen Key (L) to tighten .

**2**

Put the Middle Ring (D) on a smooth and stable working stand . Then attach Bottom Ring (C) to the assembled legs on Step 1 , using Bolt (I) and Allen Key (L) to tighten .

**3**

Move up the Middle Ring (D) and to connect it with the assembled Legs , using Bolt (I) and Allen Key (L) to tighten .

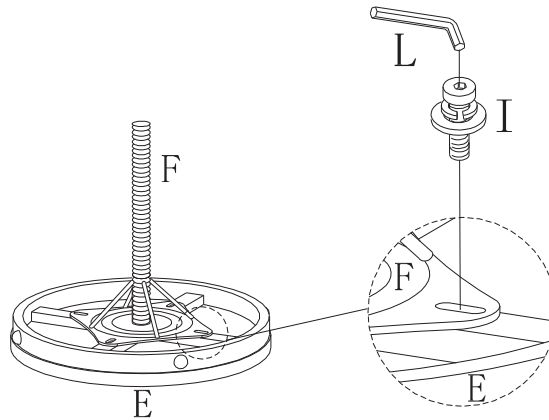


Cleaning & Care

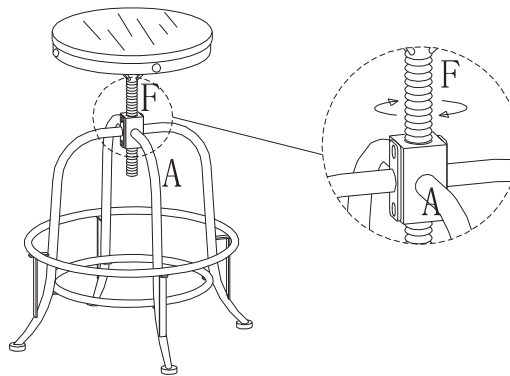
Treat surface with care. Surface is resistant to scratches but is not scratch resistant. Clean surfaces with adry or damp soft cloth. Do not use abrasive cleaners. Hardware may loosen over time. Periodically check that all connections are tight.

4

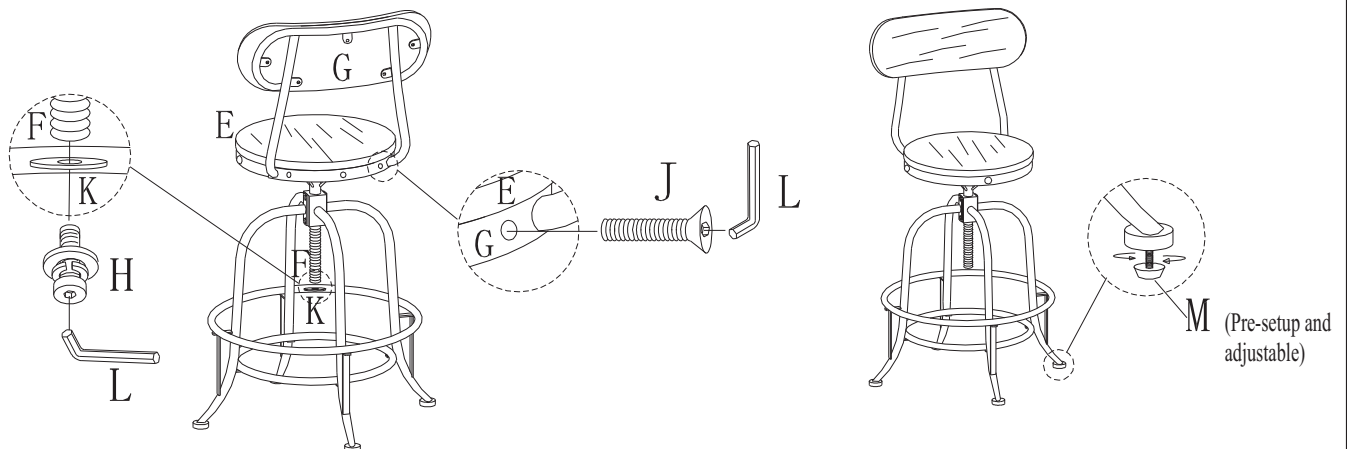
Upside down the Seat (E) and attach Screw Pole (F) to it , using Bolts (I) and Allen Key(L) to tighten .

**5**

Insert the Screw Pole (F) into the Big Nut on Legs (A) , rotate the Seat (E) down then .

**6**

Attach the Plate (K) to the Screw Pole (F) , using Bolt (H) and Allen Key (L) to tighten .Then attach Chair Back (G) to the Seat (E) , using Bolts (J) and Allen Key (L) to tighten .The levelers (M) were assembled before packing,please use them to levelling.



Cleaning & Care

Treat surface with care.Surface is resistant to scratches but is not scratch resistant.Clean surfaces with adry or damp soft cloth.Do not use abrasive cleaners.Hardware may loosen over time.Periodically check thatall connections are tight.