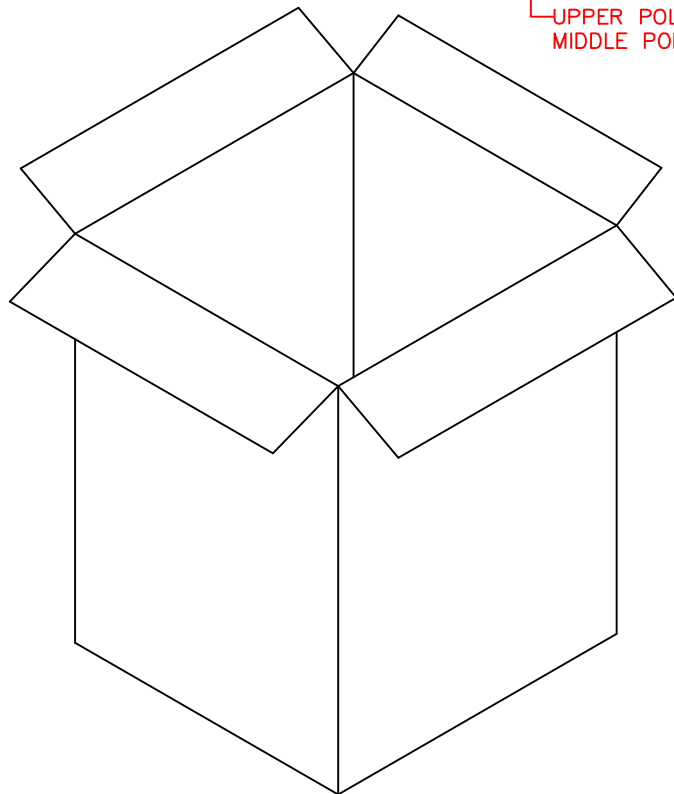
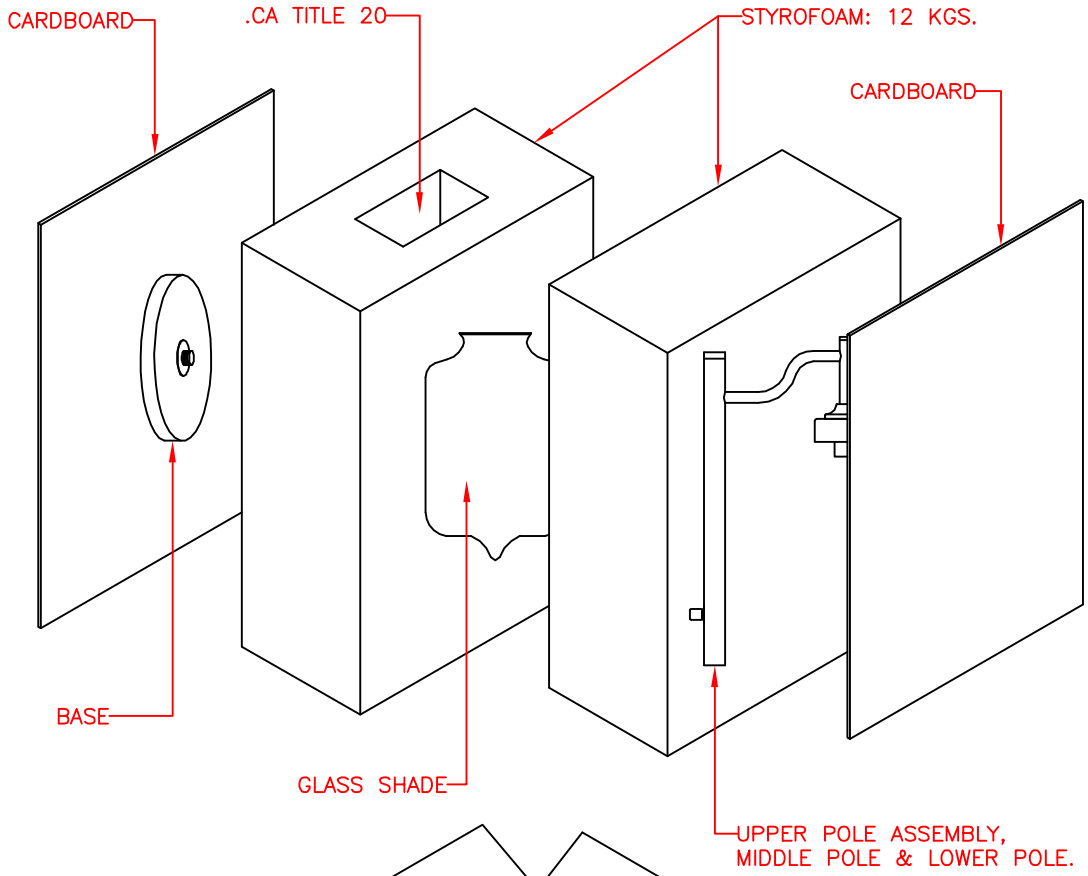


# PACKING DIAGRAM



# ASSEMBLY INSTRUCTIONS

## READ AND SAVE THESE INSTRUCTIONS

READ INSTRUCTIONS ALL THE WAY THROUGH PRIOR TO ASSEMBLY.

THIS LAMP SHOULD TAKE APPROXIMATELY 10 MINUTES TO ASSEMBLE.

MAKE SURE ALL PARTS ARE FIRMLY TIGHTENED.

## UNPACK THE LAMP

YOU SHOULD HAVE RECEIVED THE FOLLOWING PARTS IN THE PACKAGE: GLASS SHADE, (3) FINIALS, UPPER POLE ASSEMBLY, MIDDLE POLE, LOWER POLE AND BASE. TO PROTECT THE FINISH, PLACE ALL PARTS ON A SOFT SURFACE.

## ASSEMBLE THE LAMP

1. CAREFULLY ORGANIZE AND PLACE ALL PARTS ON A SMOOTH, FLAT SURFACE. LINE UP ALL OF THE PARTS ACCORDING TO THE ASSEMBLY DIAGRAM.
2. SCREW LOWER POLE TO TOP OF THE BASE.
3. SCREW MIDDLE POLE TO TOP OF LOWER POLE.
4. PULL THE EXCESS POWER CORD THROUGH THE BASE.
5. SCREW UPPER POLE ASSEMBLY TO TOP OF THE MIDDLE POLE.
6. INSTALL A 100 WATT MAXIMUM MEDIUM BASE TYPE "A" BULB (NOT INCLUDED) INTO SOCKET.
7. PLACE GLASS SHADE TO BOTTOM OF THE CUP AND SECURE WITH (3) FINIALS.
8. PLUG THE POWER CORD INTO AN OUTLET AND TURN ON AT SWITCH.

## BULB REPLACEMENT

1. BEFORE REPLACING THE BULB, BE SURE THAT THE SHADE AND BULB ARE COOL AND LAMP IS UNPLUGGED.
2. DISASSEMBLE THE GLASS SHADE, UNSCREW EXISTING BULB FROM SOCKET AND REPLACE WITH A NEW BULB. REPLACE THE GLASS SHADE AND PLUG POWER SUPPLY CORD BACK INTO OUTLET.

## TROUBLE SHOOTING

1. IF YOUR LAMP DOES NOT LIGHT, CHECK PLUG AT THE OUTLET. MAKE SURE THE PLUG IS FULLY AND PROPERLY INSERTED INTO THE POWER OUTLET.
2. IF LAMP STILL DOES NOT LIGHT, UNPLUG FROM OUTLET. CHECK THE BULB FOR A BROKEN FILAMENT. REPLACE BULB IF NECESSARY, PLUG IN LAMP AND TURN IT ON.
3. IF THE LAMP STILL DOES NOT LIGHT, PLEASE CONTACT YOUR DISTRIBUTOR OR PLACE OF PURCHASE.

## IMPORTANT SAFETY INSTRUCTIONS

THIS PORTABLE LAMP HAS A POLARIZED PLUG (ONE BLADE IS WIDER THAN THE OTHER) AS A FEATURE TO REDUCE THE RISK OF ELECTRIC SHOCK. THIS PLUG WILL FIT IN A POLARIZED OUTLET ONLY ONE WAY. IF THE PLUG DOES NOT FIT FULLY IN THE OUTLET, REVERSE THE PLUG. IF IT STILL DOES NOT FIT, CONTACT A QUALIFIED ELECTRICIAN. NEVER USE WITH AN EXTENSION CORD UNLESS PLUG CAN BE FULLY INSERTED. DO NOT ALTER THE PLUG.

