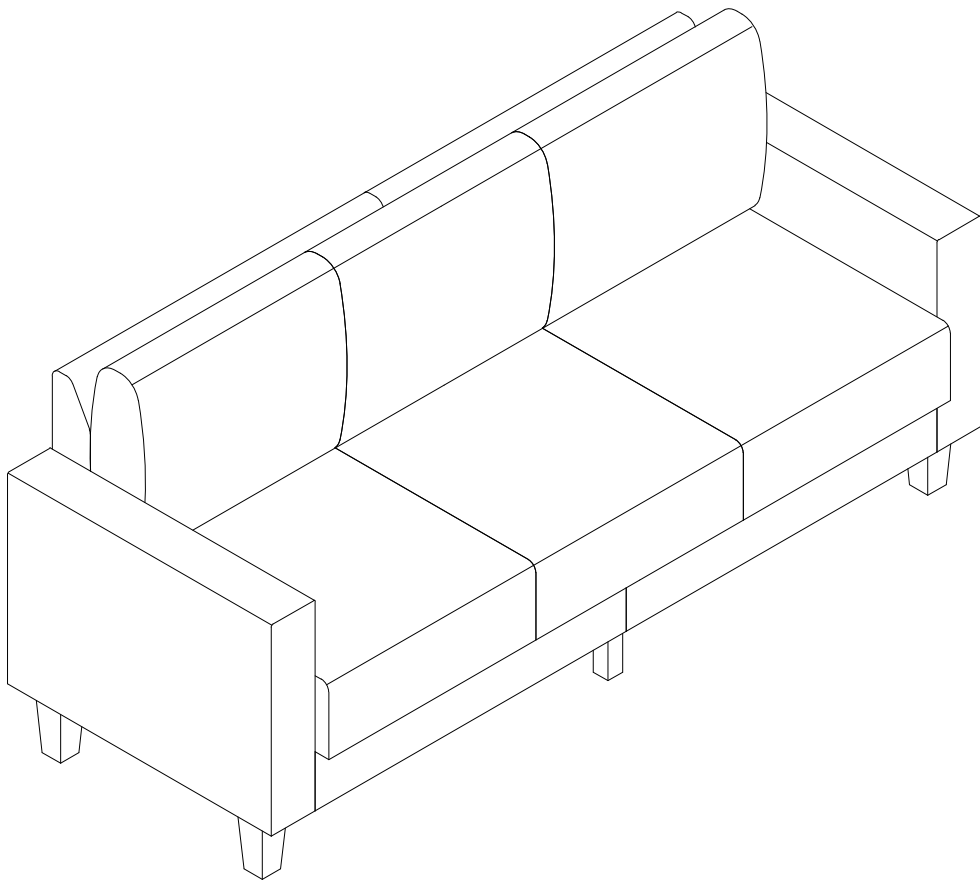
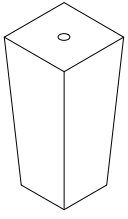


Sofa





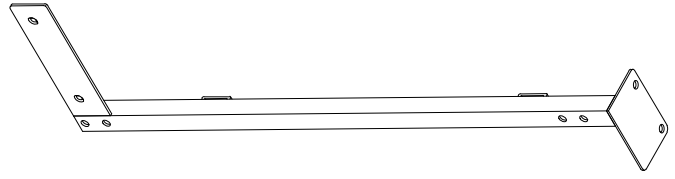
A

×4



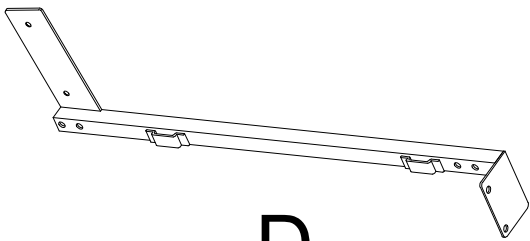
B

×2



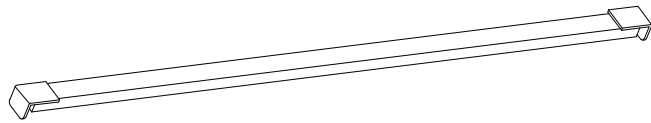
C

×1



D

×1



E

×4



F

×20

5/16*19MM



G

×4

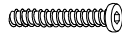
5/16*1"



H

×4

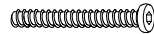
5/16*M13



I

×4

5/16*2-5/8"



J

×4

5/16*4"



K

×1



L

×1



M

×4

1.5"



N

×4

1/4*1"



O

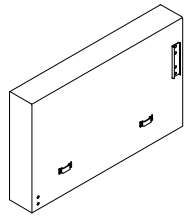
×1



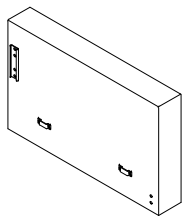
P

×4

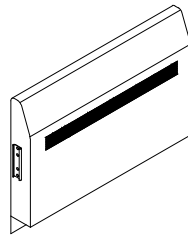
5/16*1-1/4"



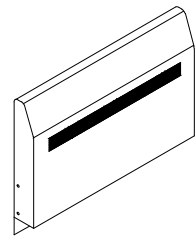
①
×1



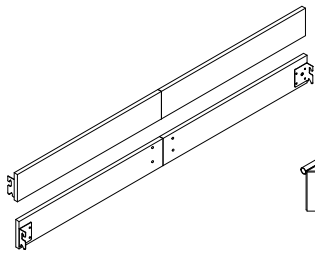
②
×1



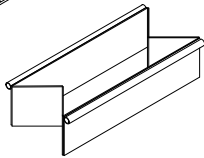
③
×1



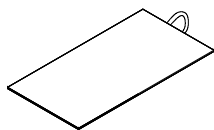
④
×1



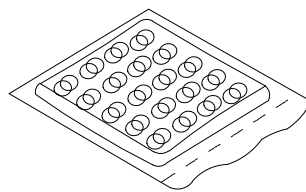
⑤
×1



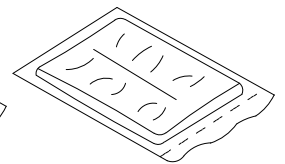
⑥
×2



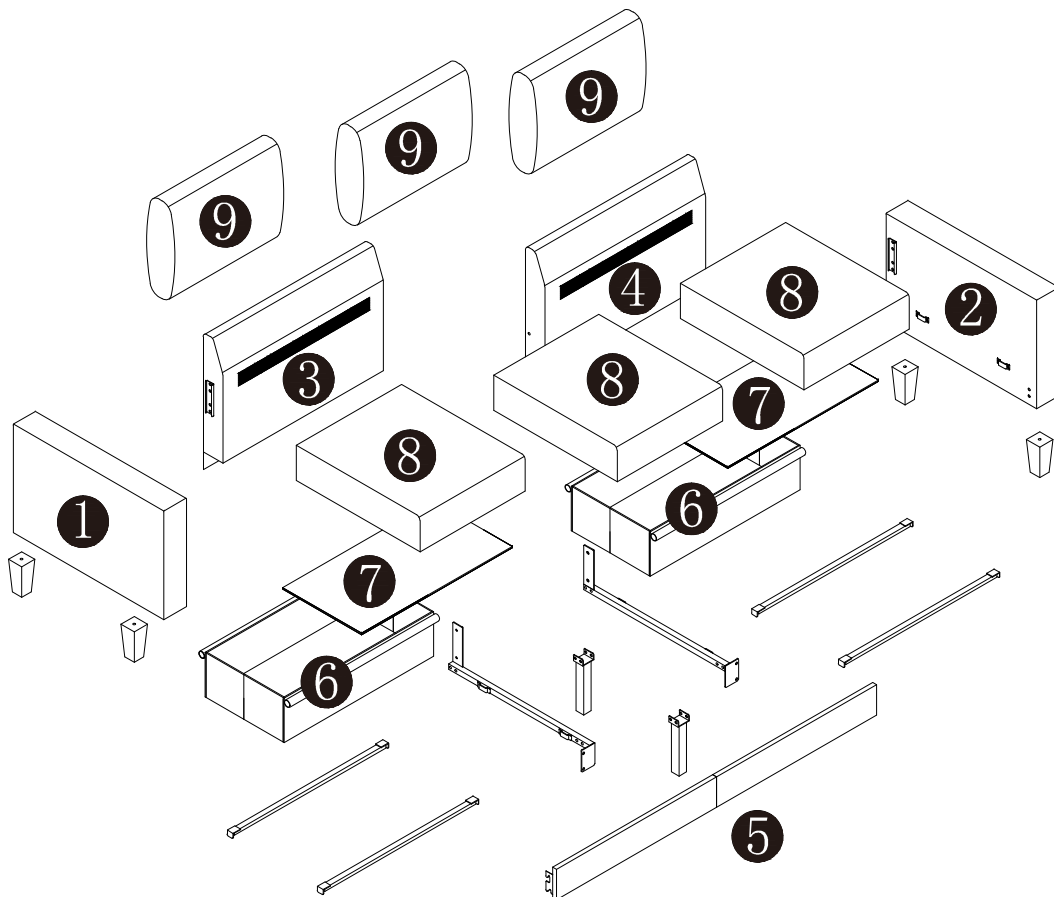
⑦
×2



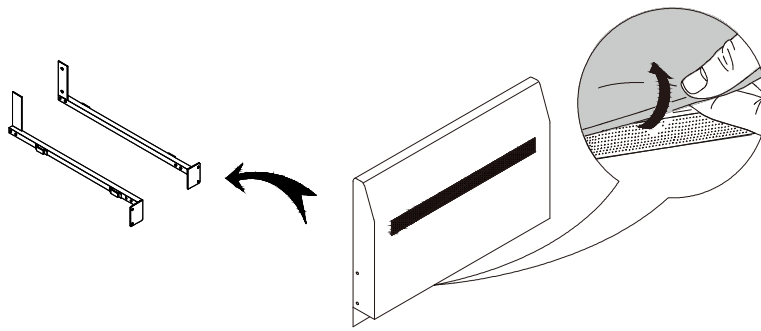
⑧
×3



⑨
×3

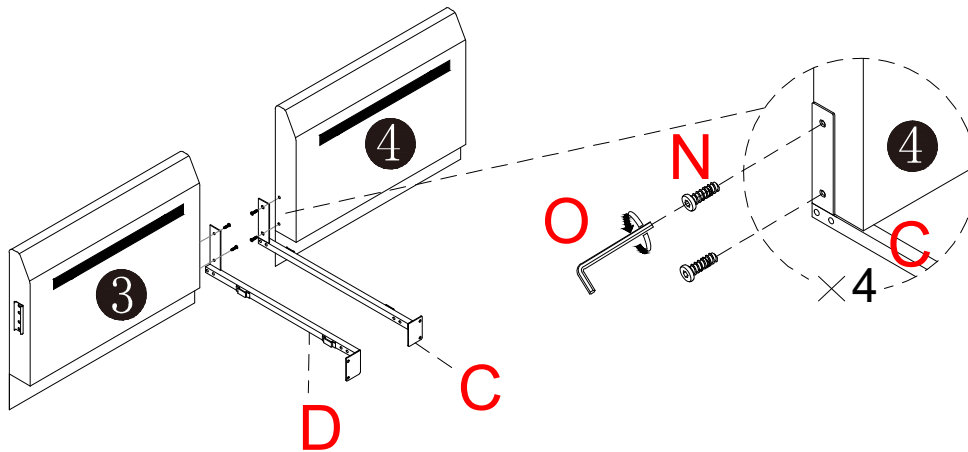


1

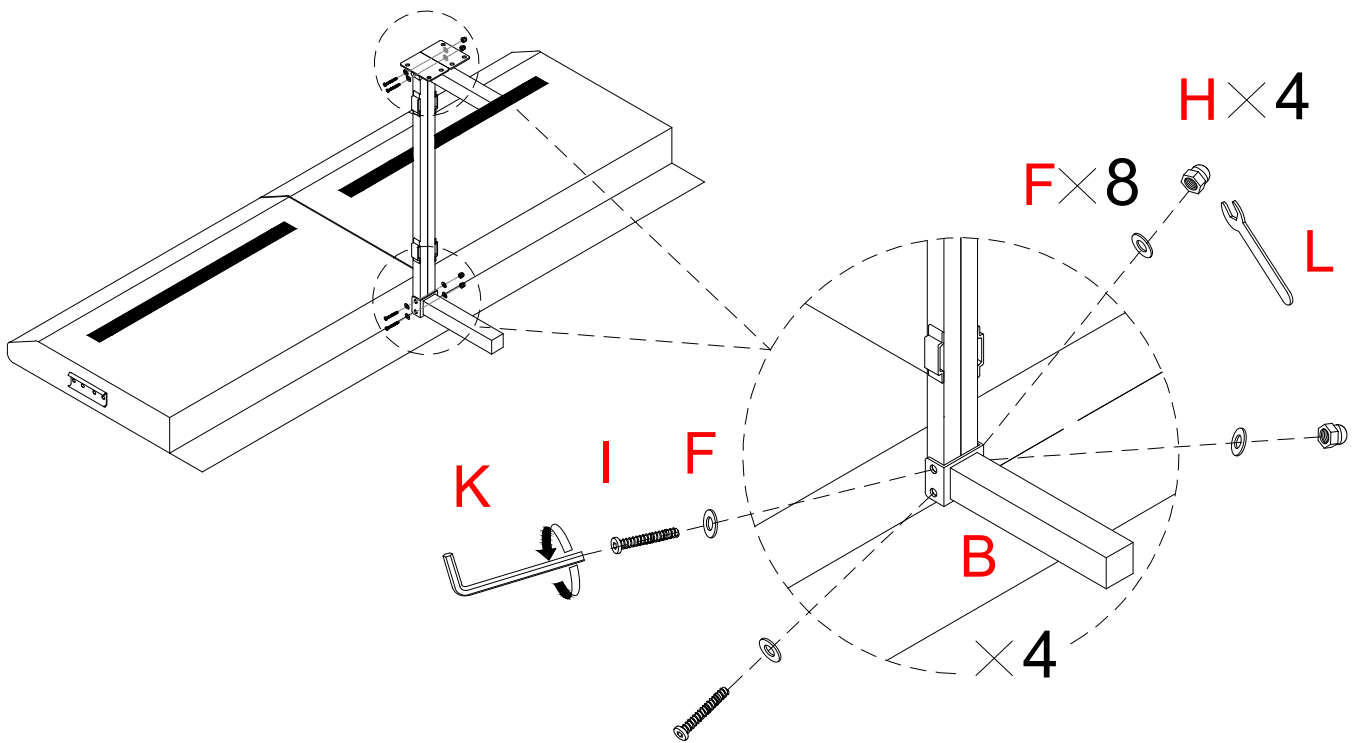


Uncover the nonwoven

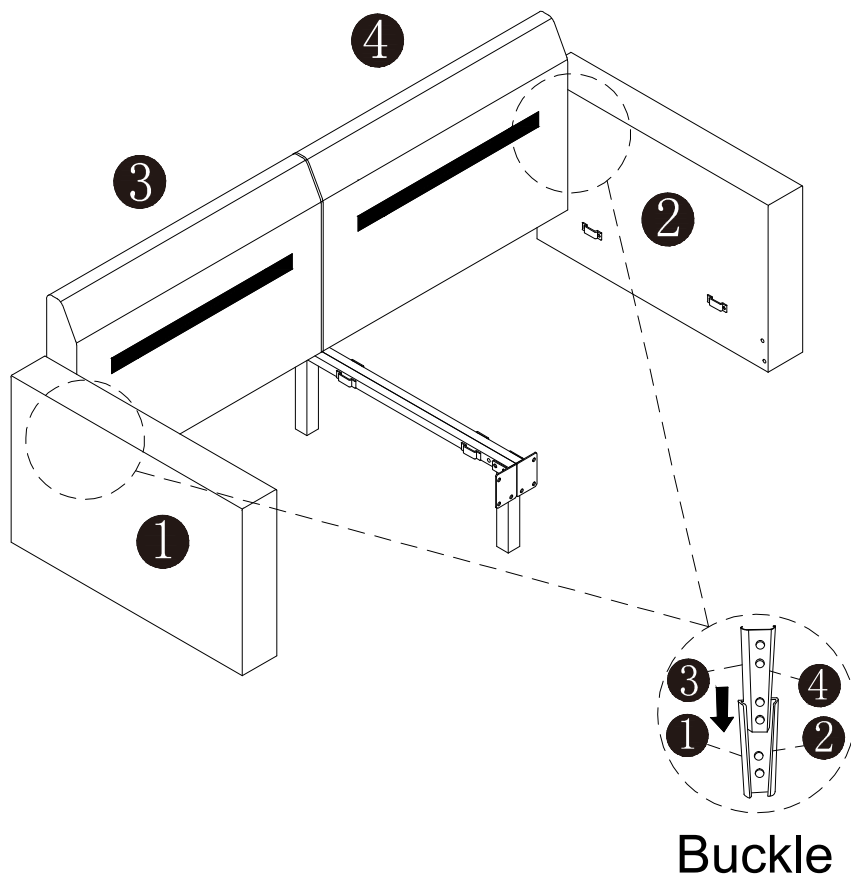
In part "3" and part "4",
take out part "C" and part "D" respectively.



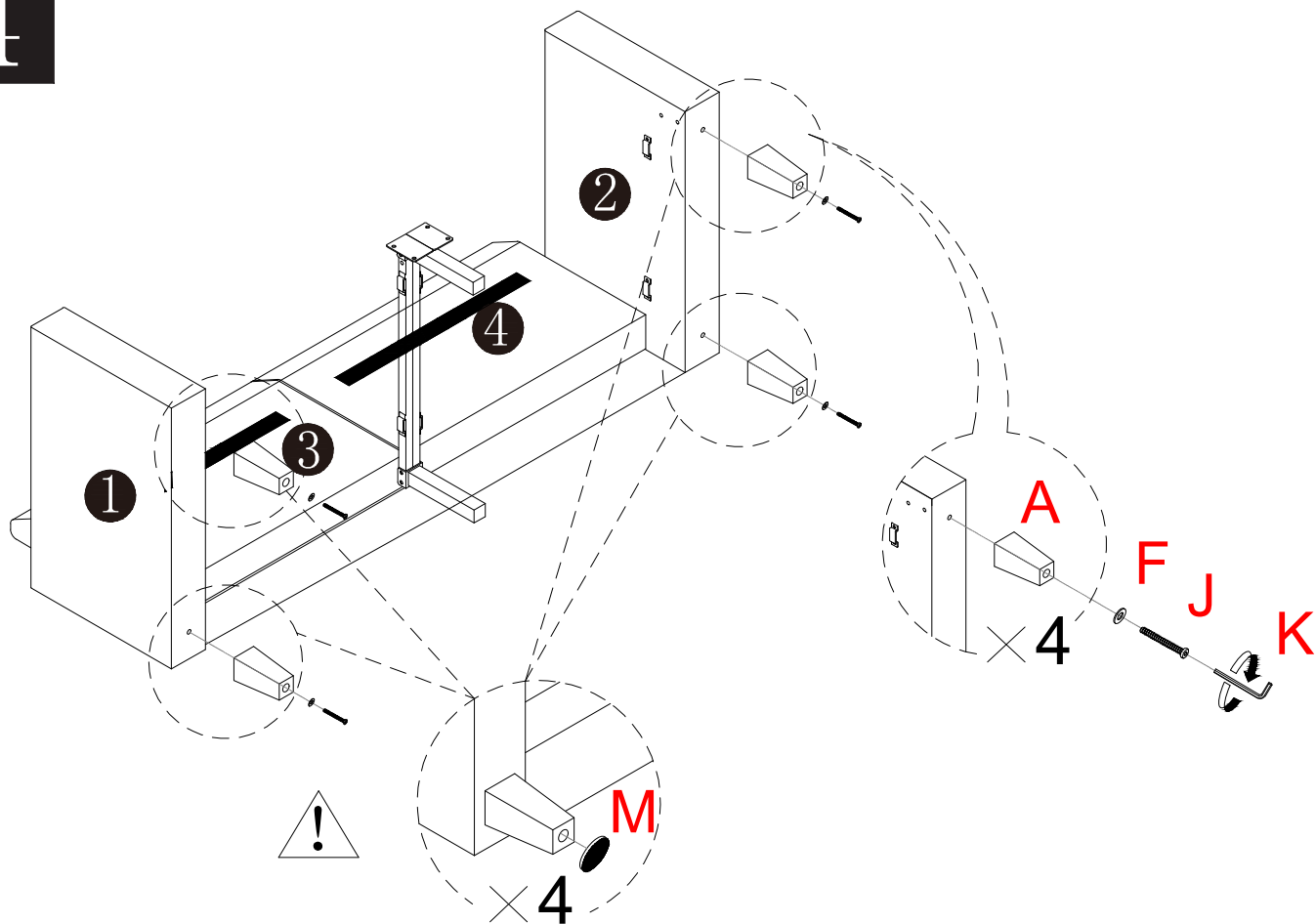
2



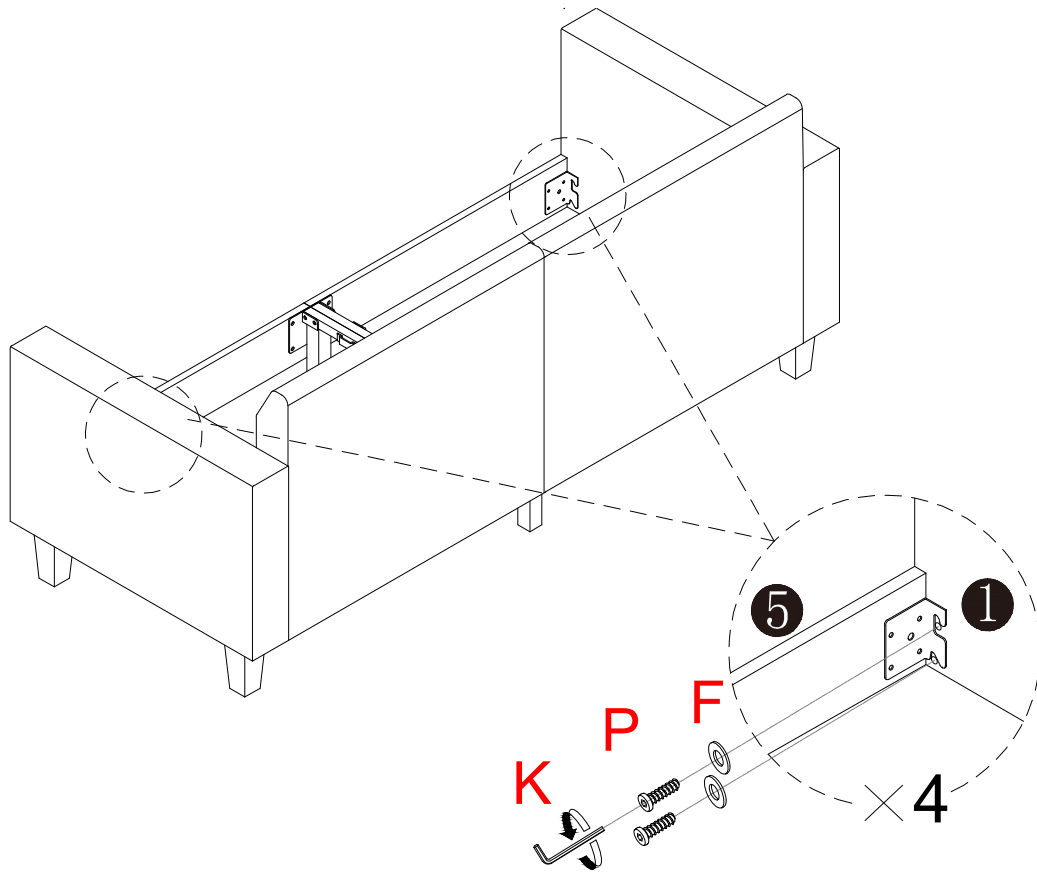
3



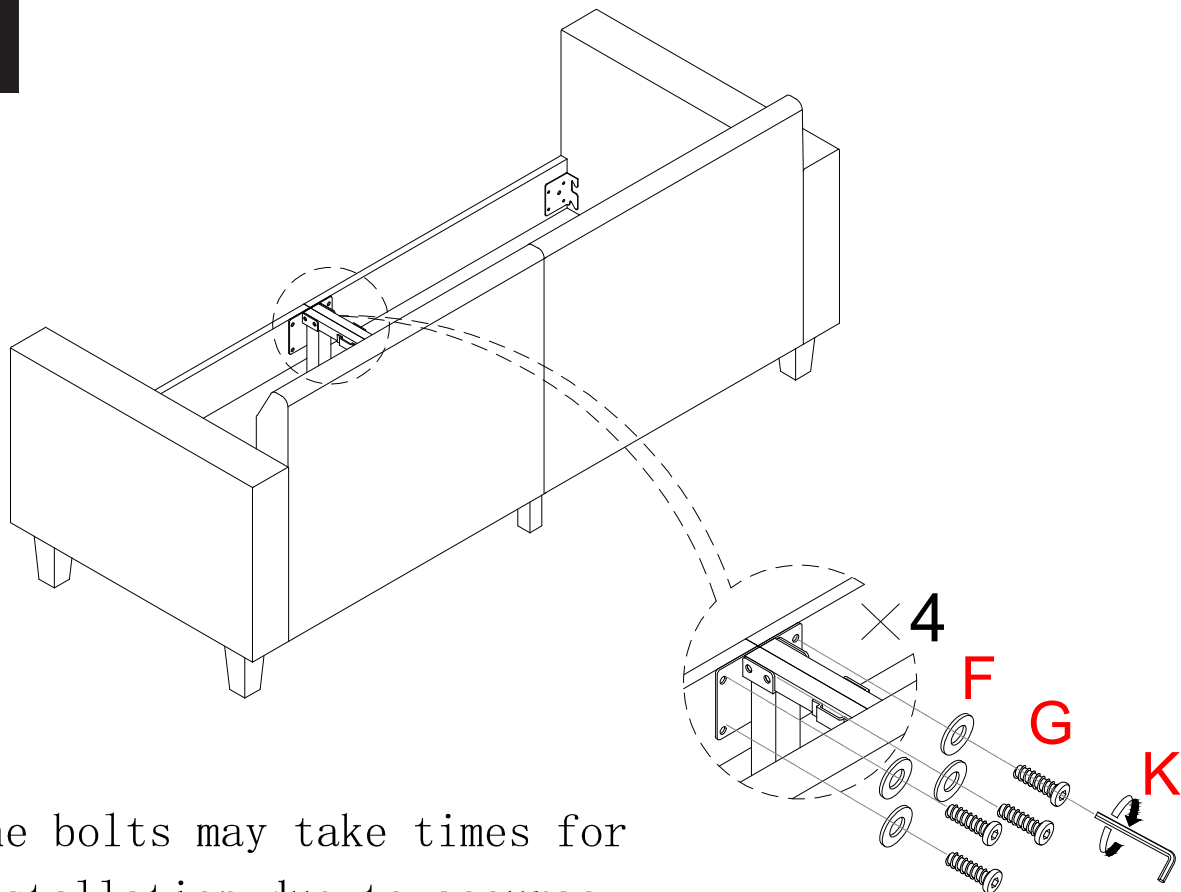
4



5

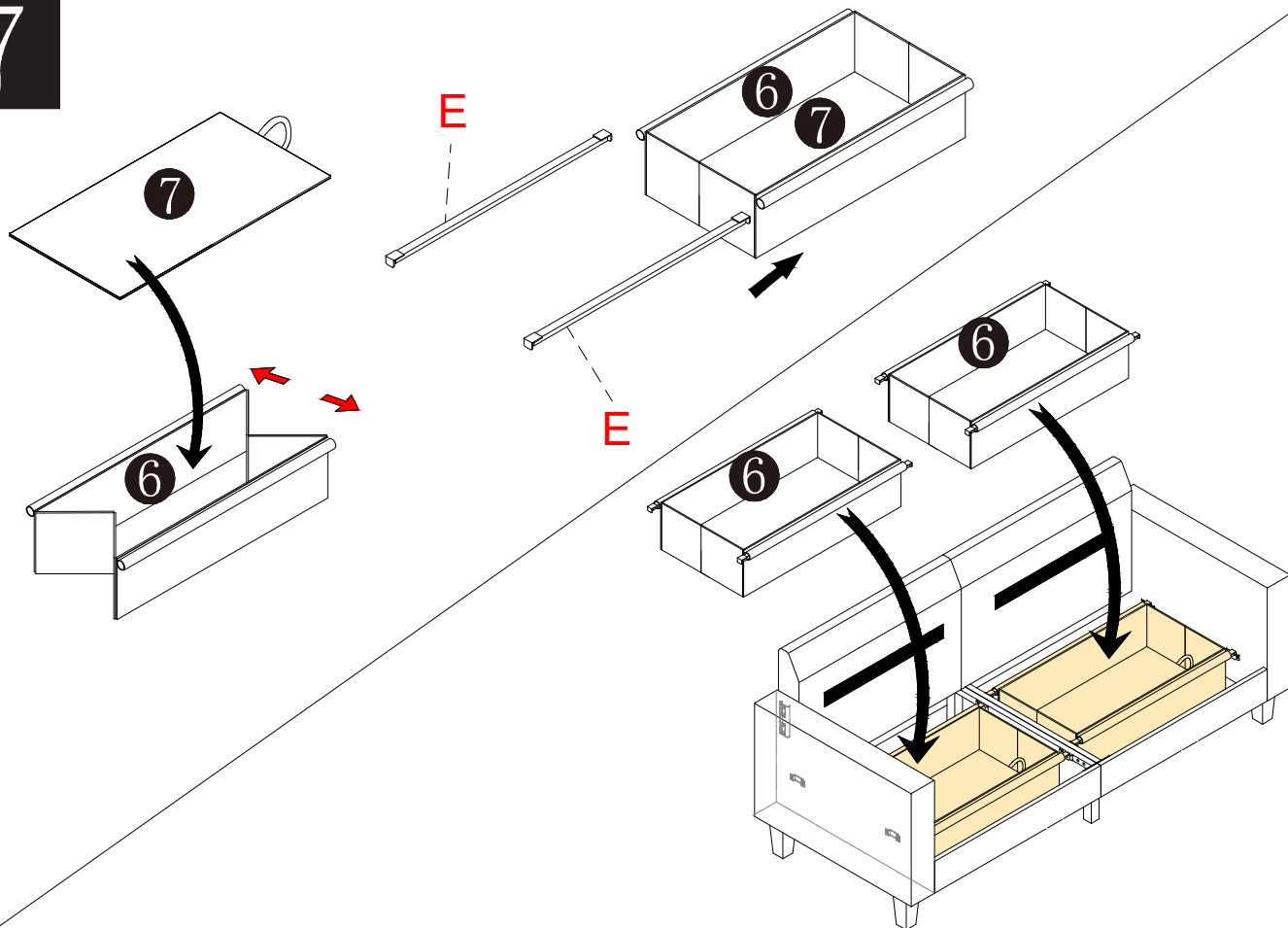


6

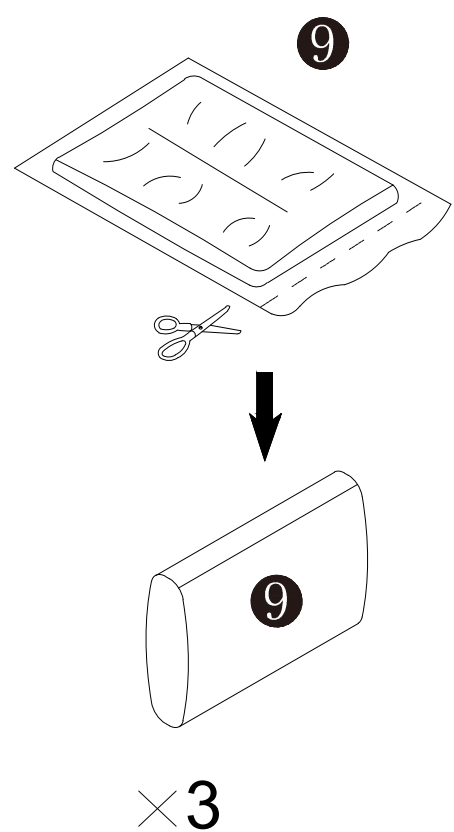
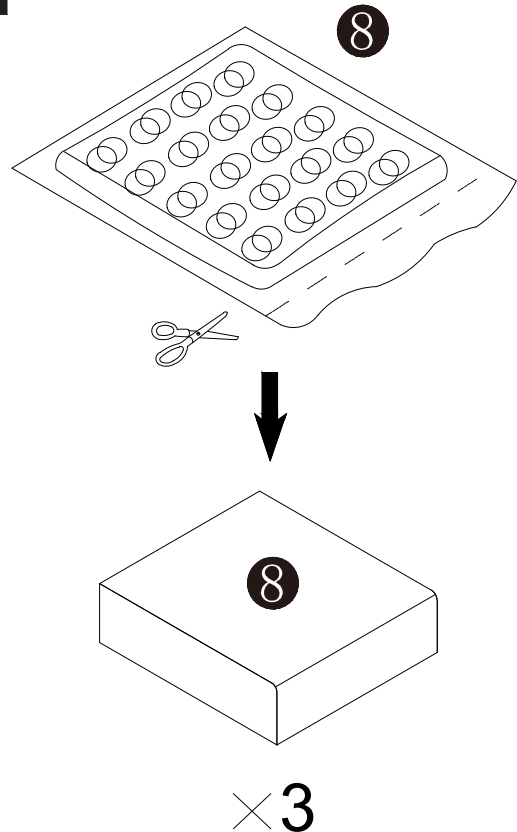


The bolts may take times for installation due to accuracy.

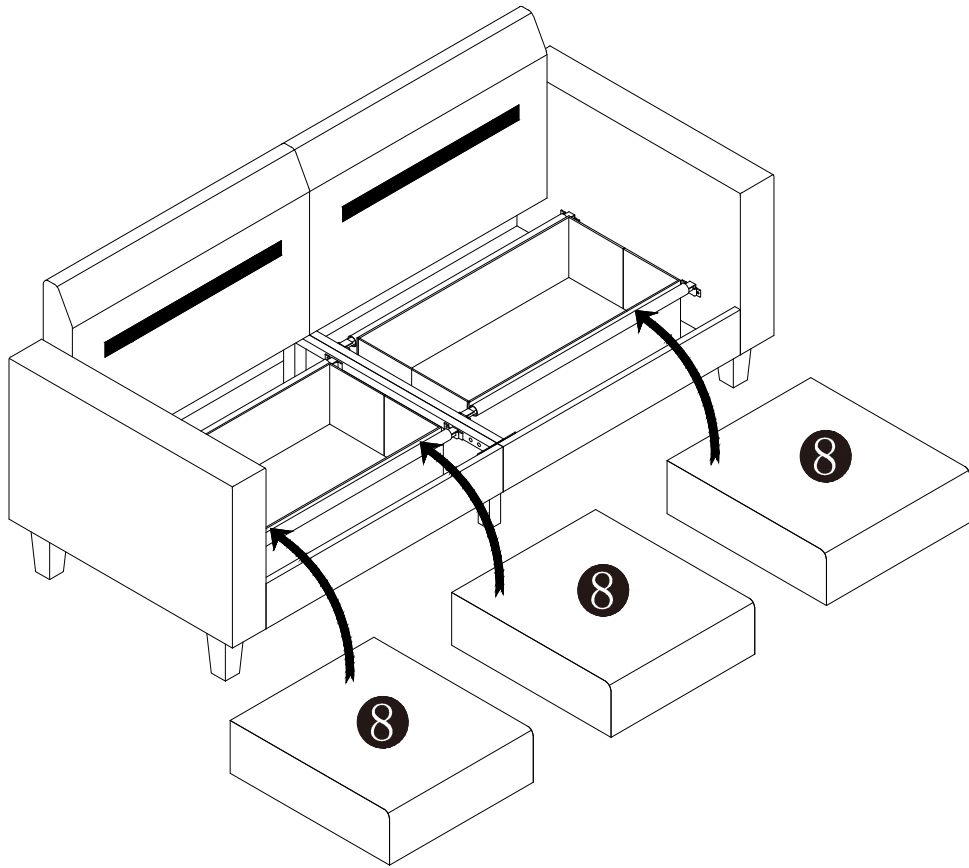
7



8



9



10

