



00:60

Approx. 60 minutes



Recomm. 2 Person

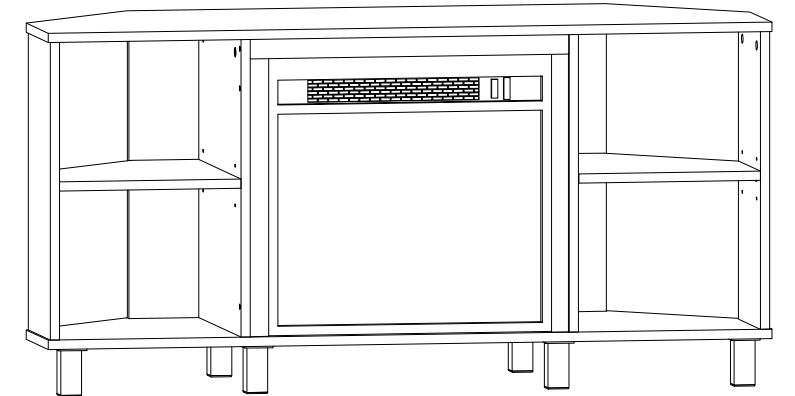


Tools Required

**Assembly Instruction**

Furinno Jensen Corner Fireplace TV Stand with Metal Leg

MODEL : 22021












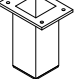
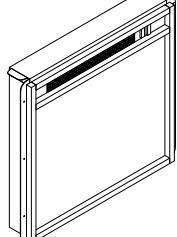
**Customer Support**

**NEED HELP?** For replacement requests or product inquiries, please contact our Customer Service Team by emailing us at [support@furinno.com](mailto:support@furinno.com). Thank you for selecting Furinno!

[www.furinno.com](http://www.furinno.com)



# HARDWARE & PARTS LIST

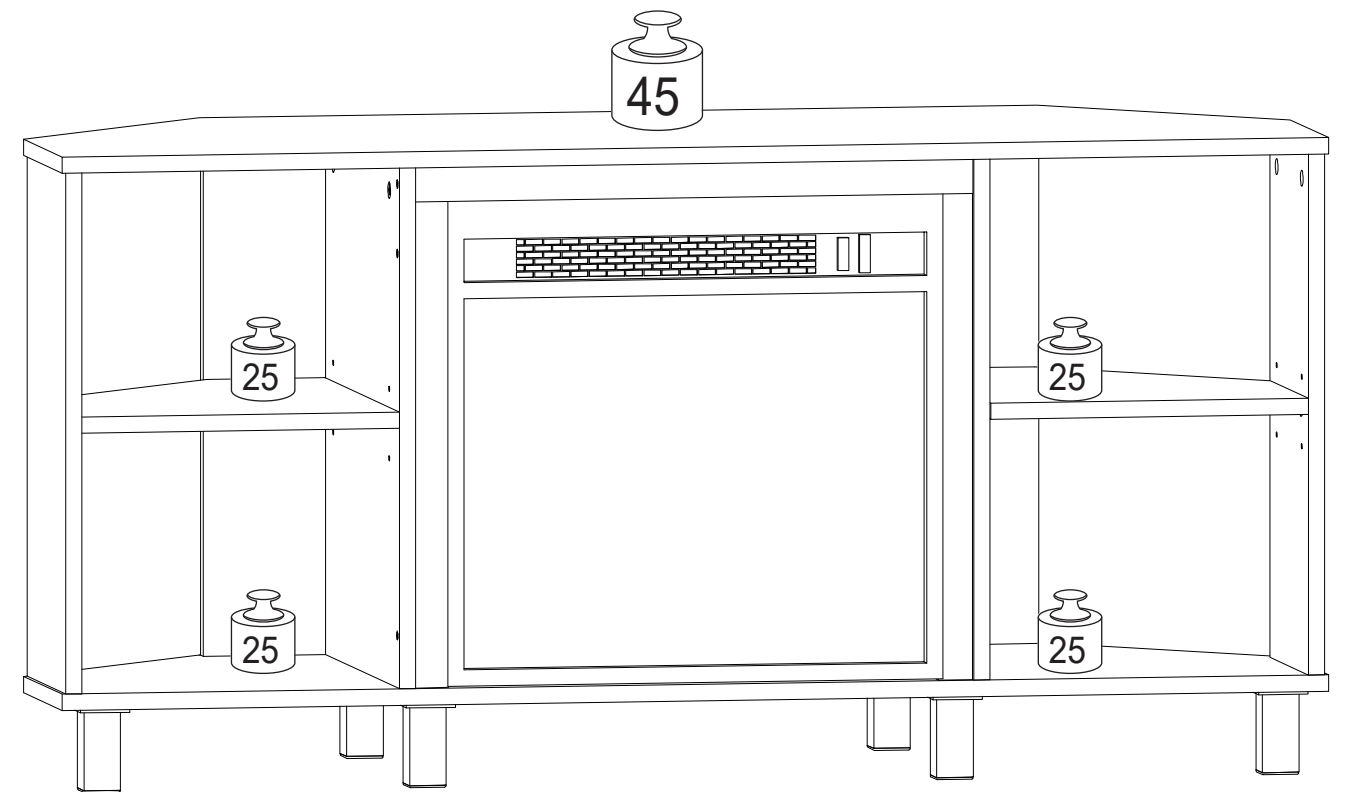
NO	HARDWARE LIST	QTY
1	MINIFIX  1a  1b	10pcs
2	WOOD DOWEL 	18pcs
3	POZIHEAD SCREW 	12pcs
4	C/B SCREW 32mm 	6pcs
5	PWA SCREW 	7pcs
6	METAL L BRACKET 	1pc
7	SHELF SUPPORT 	8pcs
8	LEG SCREW 	24pcs
9	3" PVC LEG 	6pcs
10	FIREPLACE 	1pc

NO	PART LIST	QTY
A	TOP PANEL	1pc
B	BOTTOM PANEL	1pc
C	LEFT / RIGHT SIDE PANEL	2pcs
D	LEFT PARTITION PANEL	1pc
E	RIGHT PARTITION PANEL	1pc
F	SHELF PANEL	2pcs
G	SUPPORT PANEL	1pc
H	RAIL PANEL	2pcs
I	LEFT BACK PANEL	1pc
J	RIGHT BACK PANEL	1pc

## USEFUL HINTS BEFORE YOU START:

1. Read each step carefully before starting.
2. It is important that each step is performed in correct order to avoid difficulties.
3. Identify, sort and count the parts before assembly.
4. Assemble your furniture on packaging cardboard to prevent scratch or damage.
5. Clean the product with mild cleanser using soft dampened cloth. Do not use harsh or abrasive cleanser.
6. Using incompatible hardware might cause damage to product.

# Recommended Maximum Weight

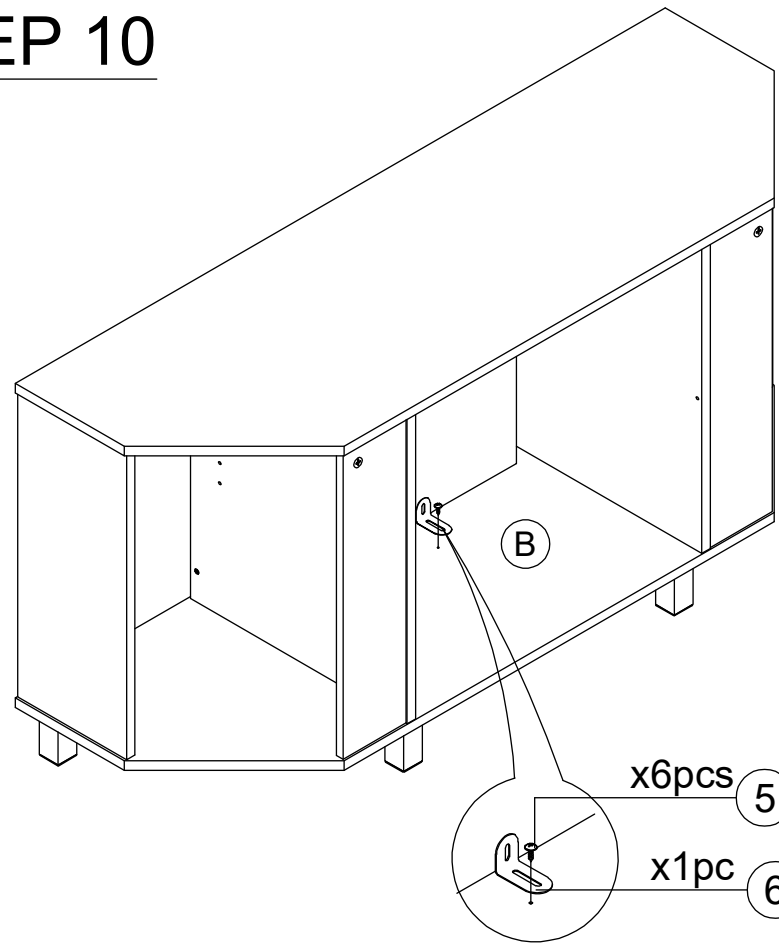


\*Unit in Pound(lbs.)

### **WARNING:**

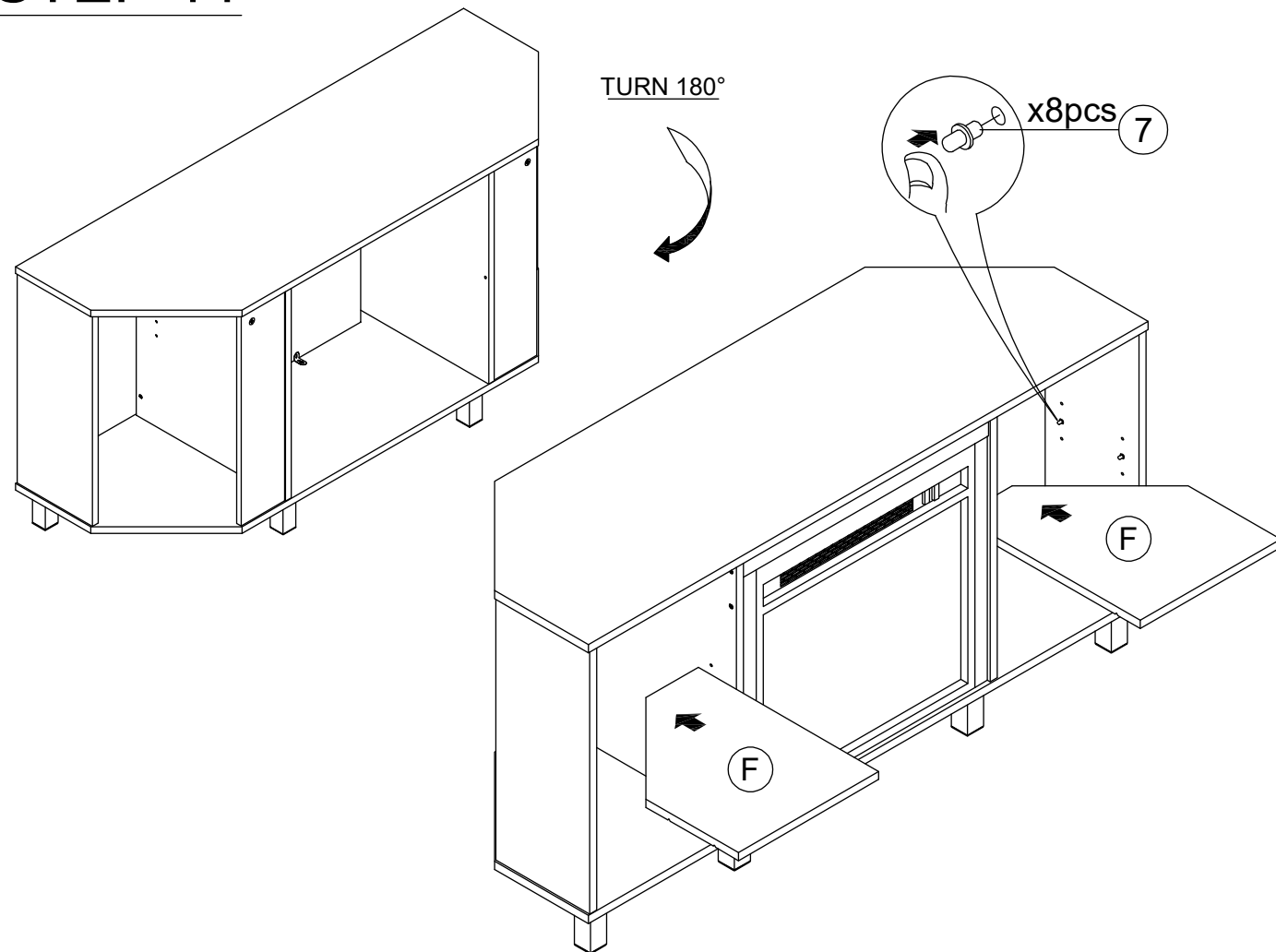
- >This unit has been designed to support the maximum loads shown. Exceeding these load limits could cause sagging, instability, product collapse, and/or serious injury.
- >DO NOT allow children to climb on unit.
- > Put heavier items on lower shelves.

# STEP 10

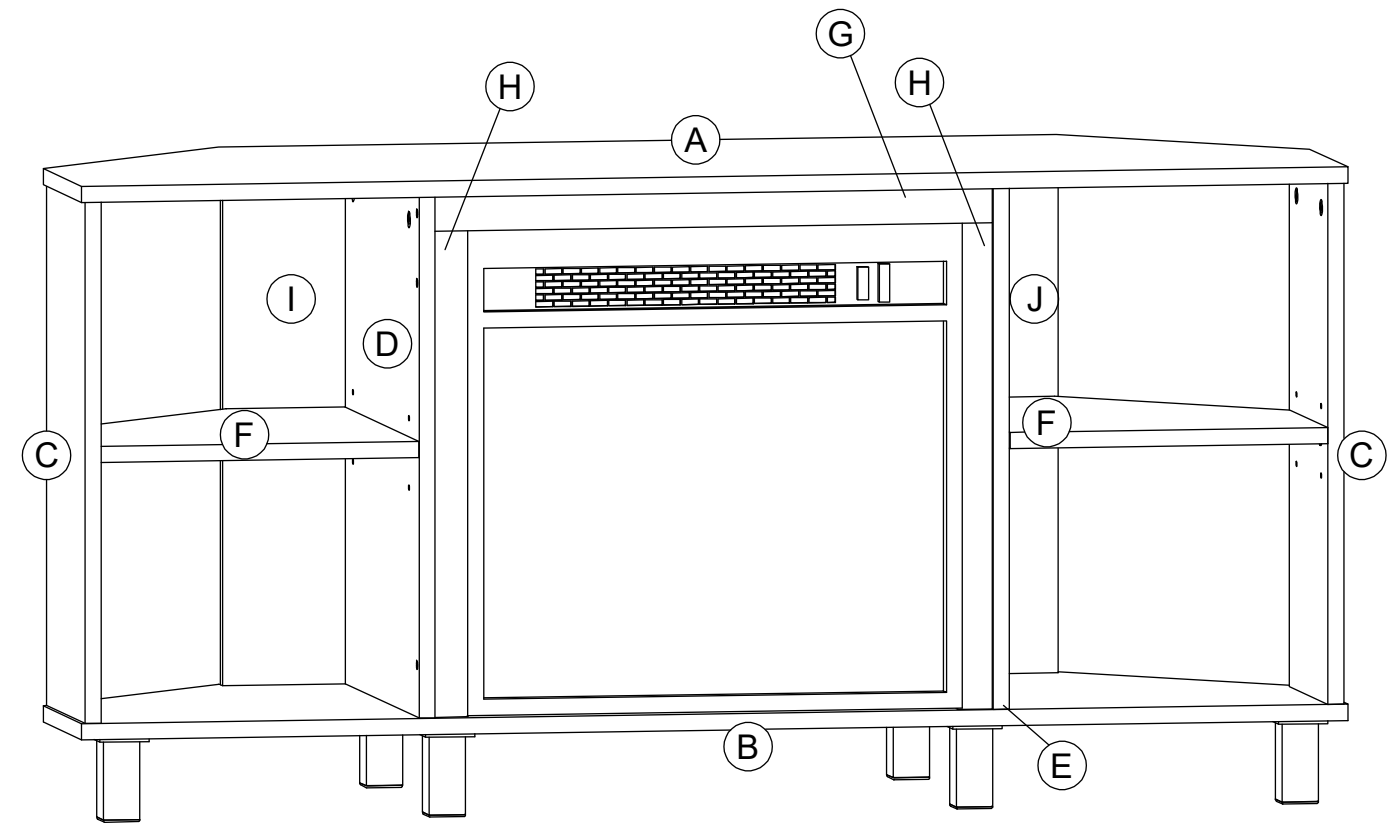


STYLE INSTALLATION	
STYLE 1	STYLE 2
<b>B</b>	<b>B</b>

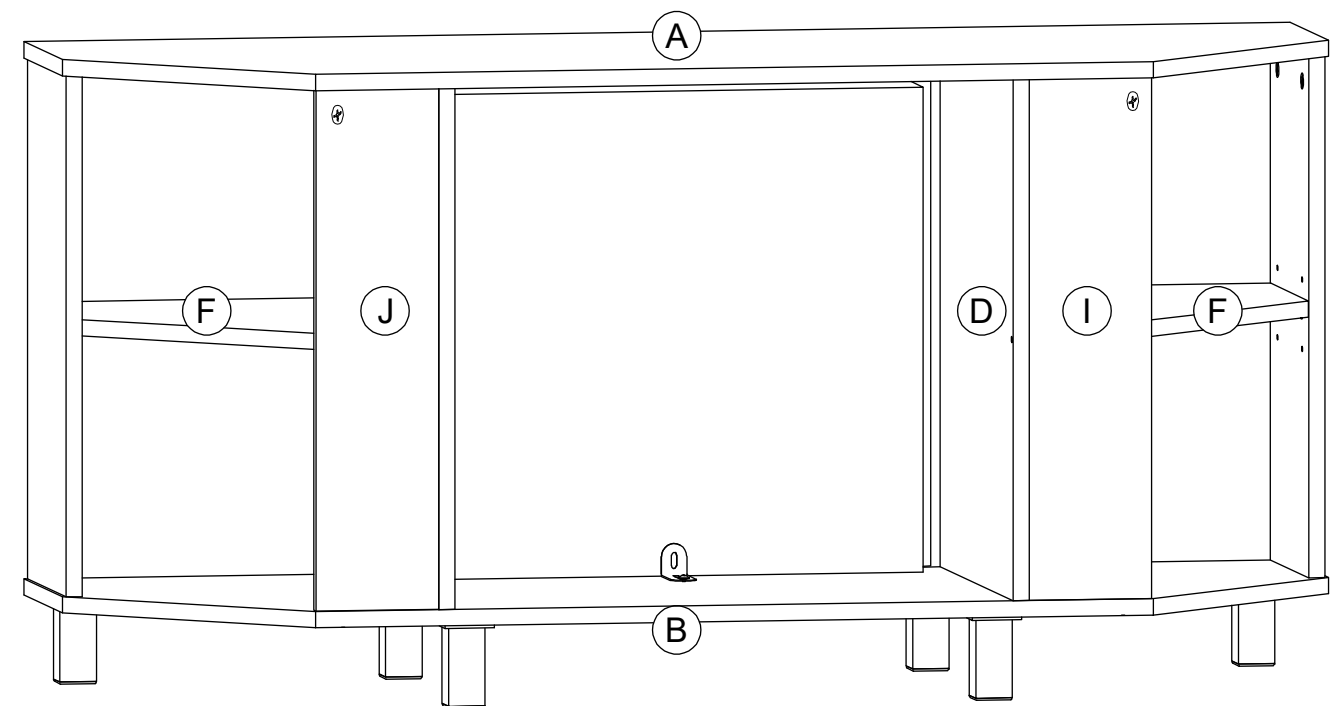
# STEP 11



# FRONT VIEW



# BACK VIEW

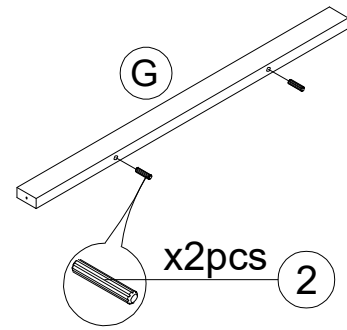


# ASSEMBLY INSTRUCTIONS

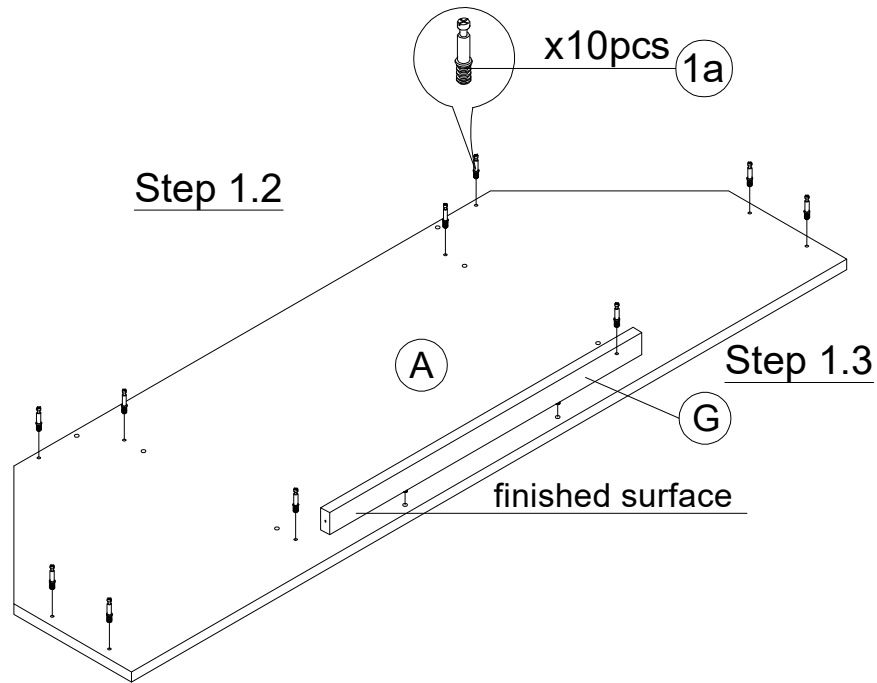
BEFORE YOU BEGIN, PLEASE READ ASSEMBLY INSTRUCTIONS CAREFULLY, FOLLOW THEM STEP BY STEP.

## STEP 1

### Step 1.1



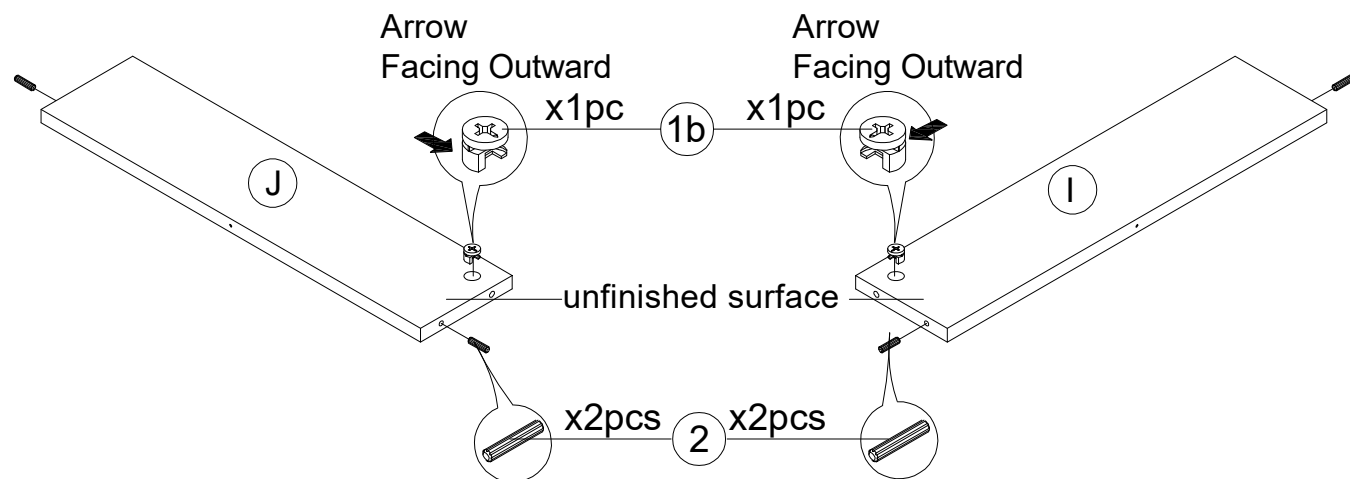
### Step 1.2



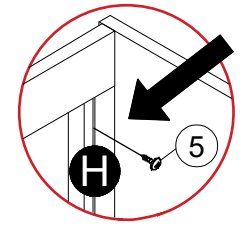
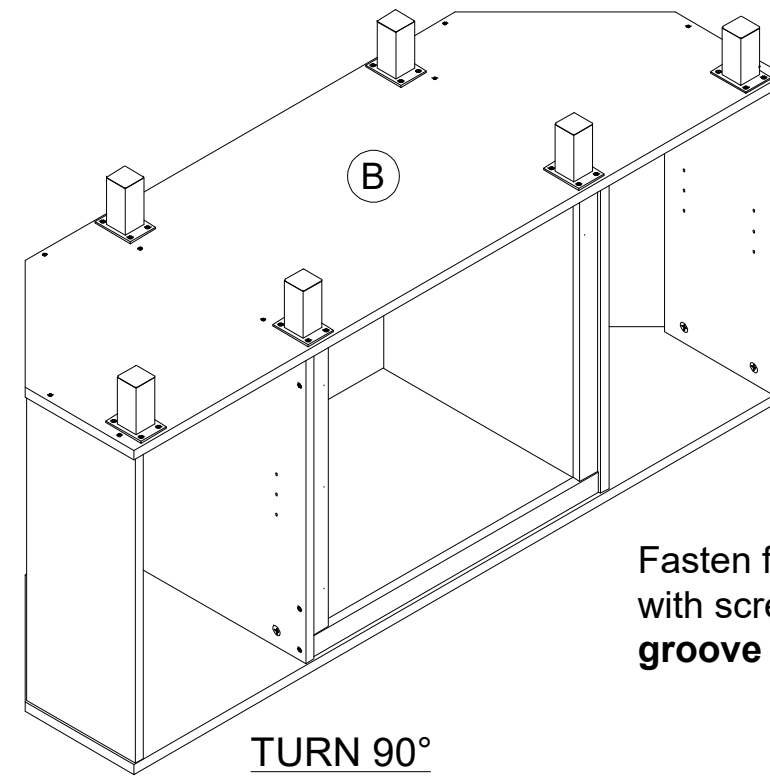
### Step 1.3

## STEP 2

### Step 2.1

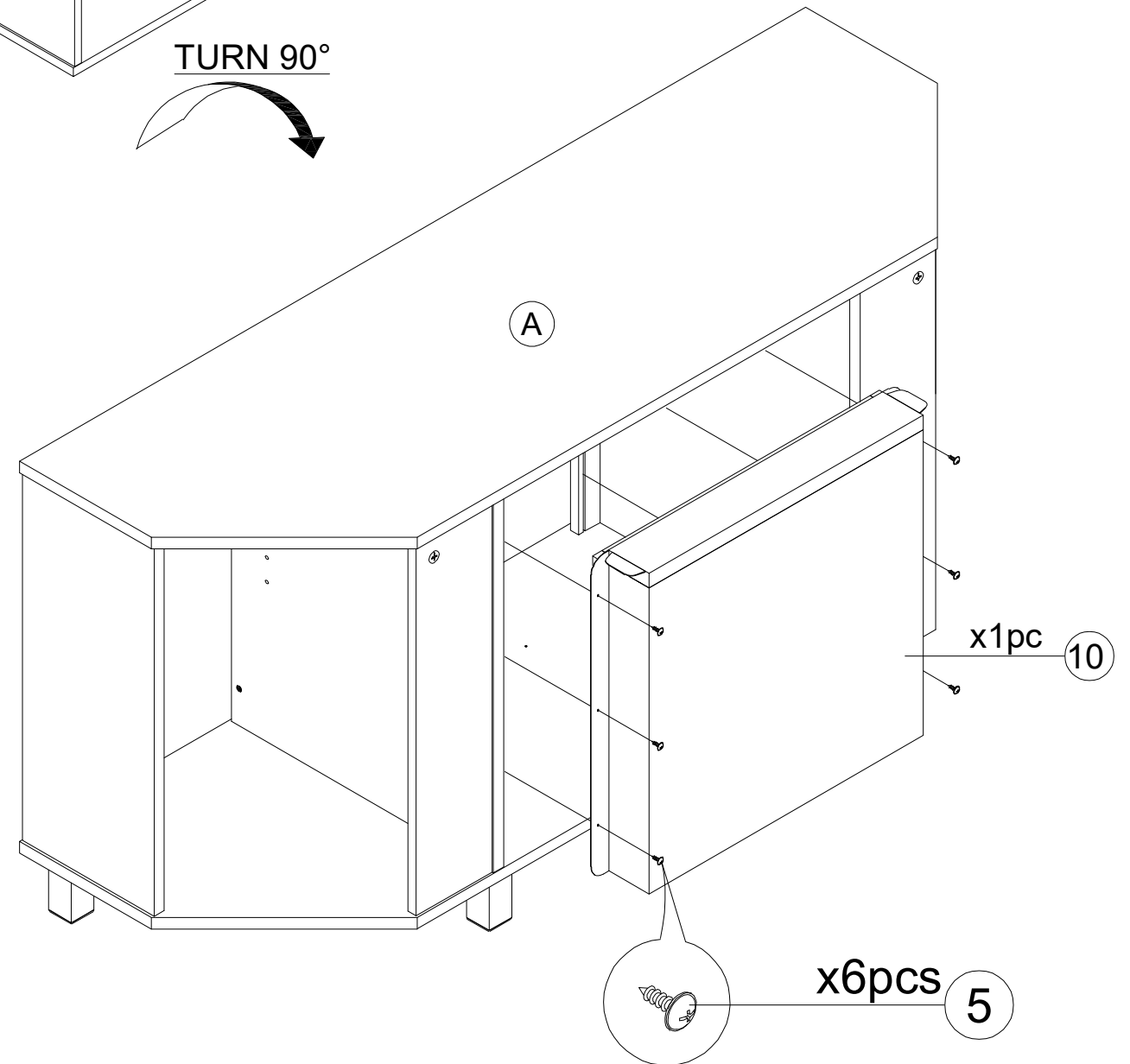


## STEP 9

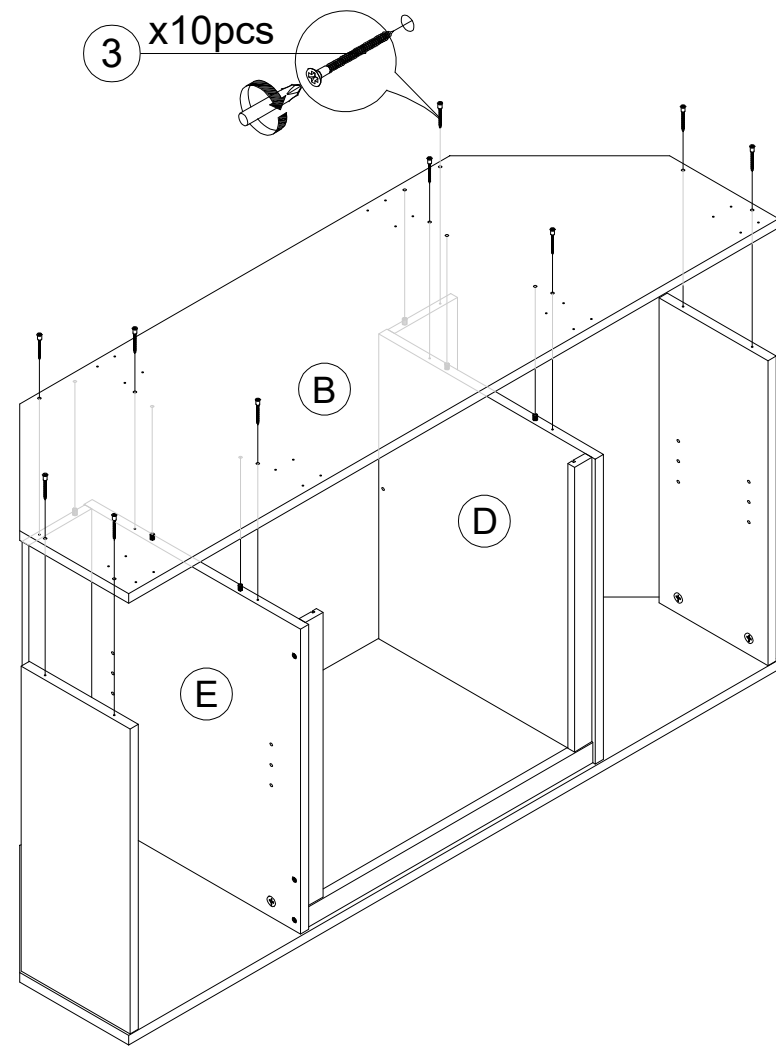


Fasten flange of fireplace to vertical rails(H) with screw (5). You will screw into the groove of the vertical rails(H).

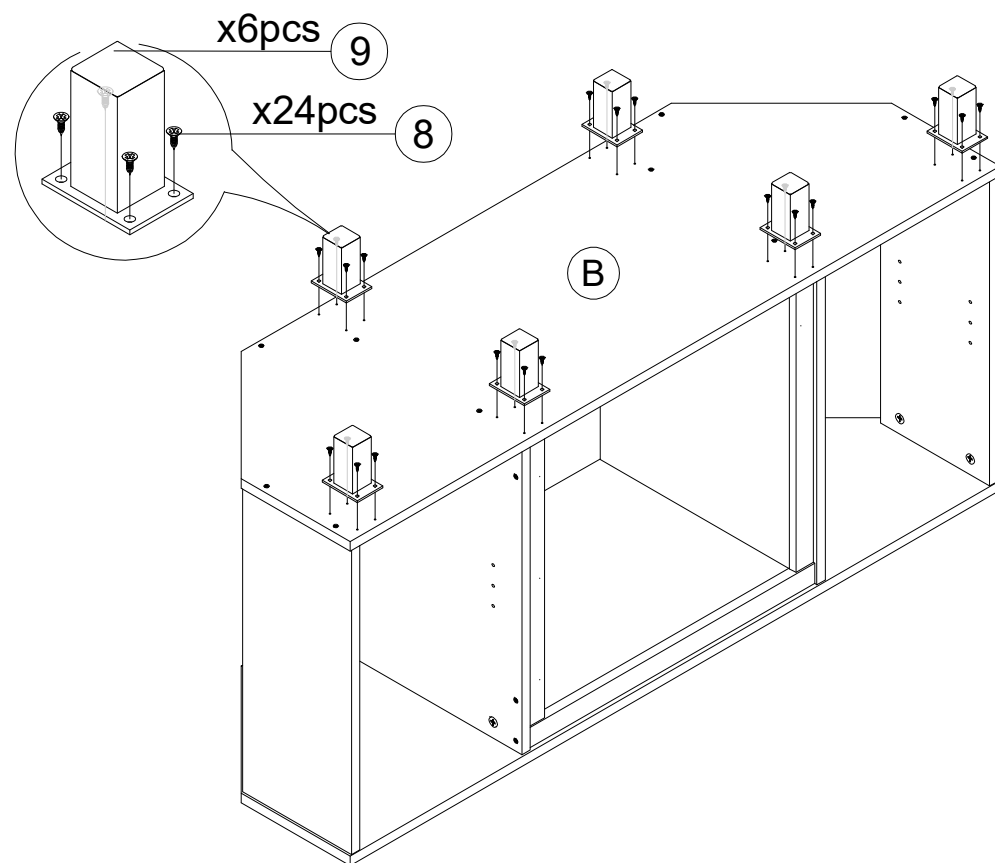
TURN 90°



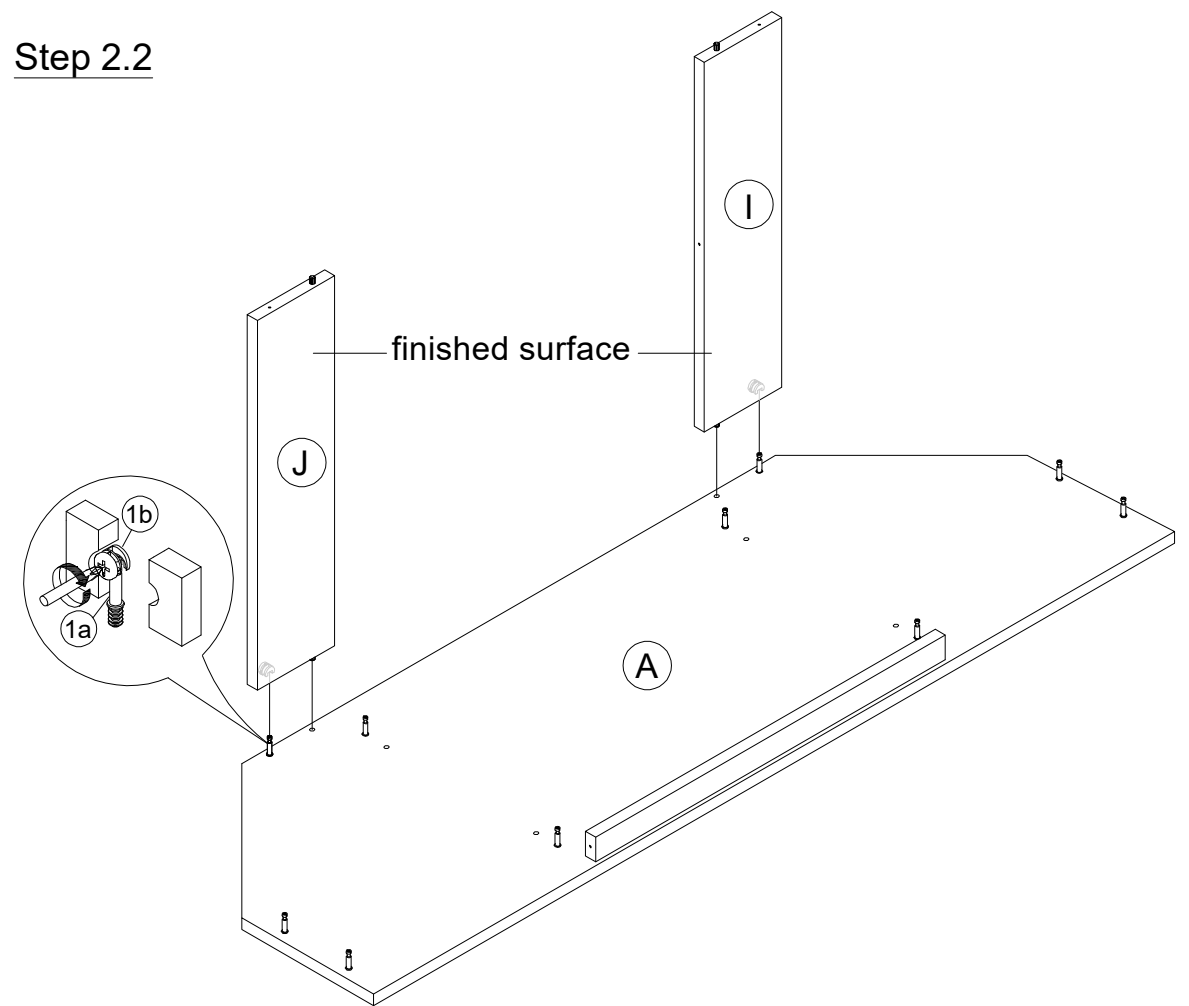
# STEP 7



# STEP 8

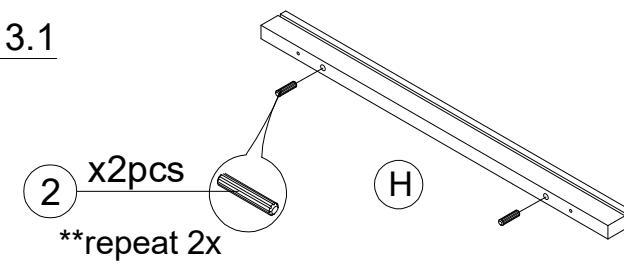


# Step 2.2

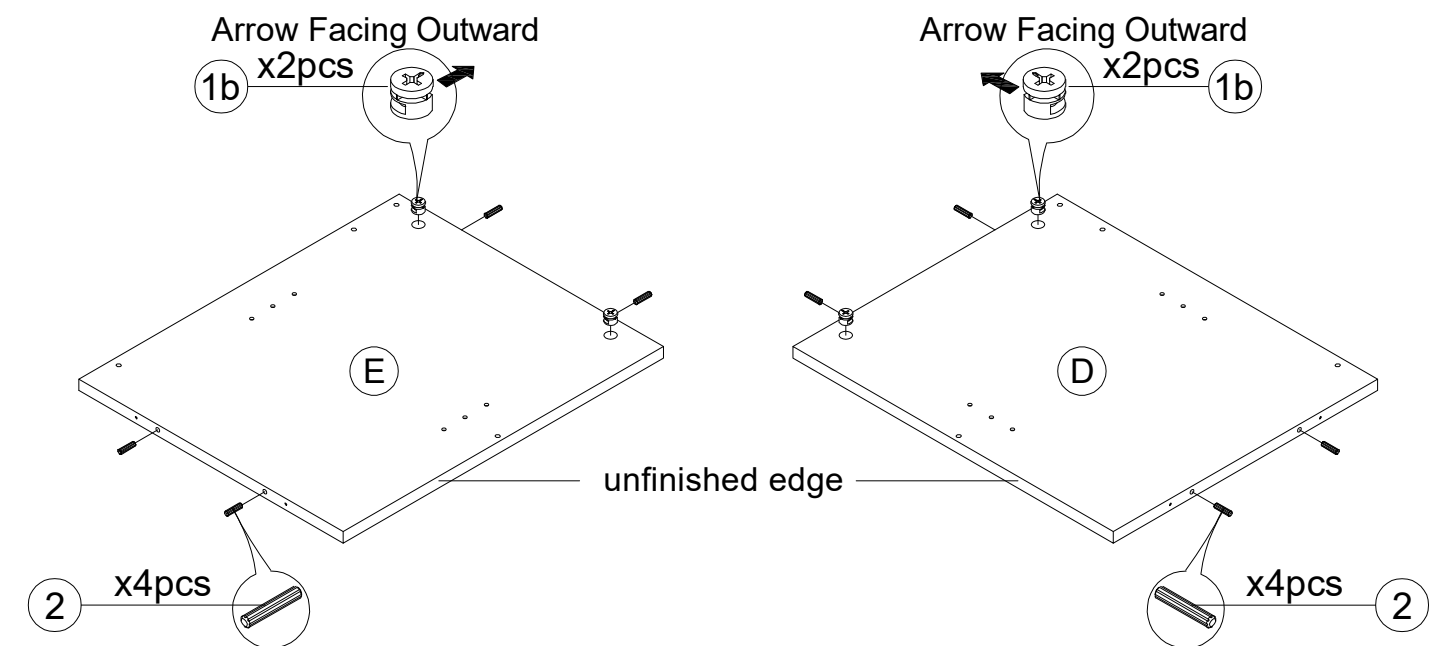


# STEP 3

## Step 3.1

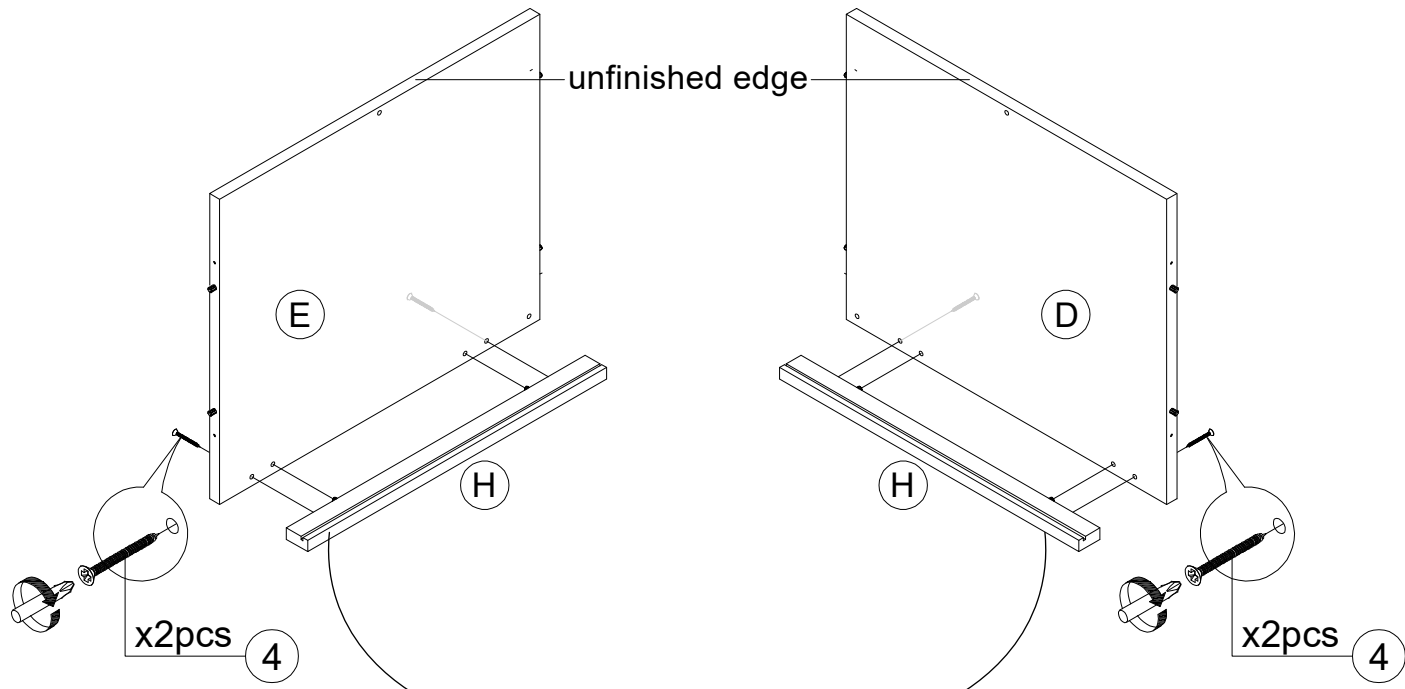


## Step 3.2



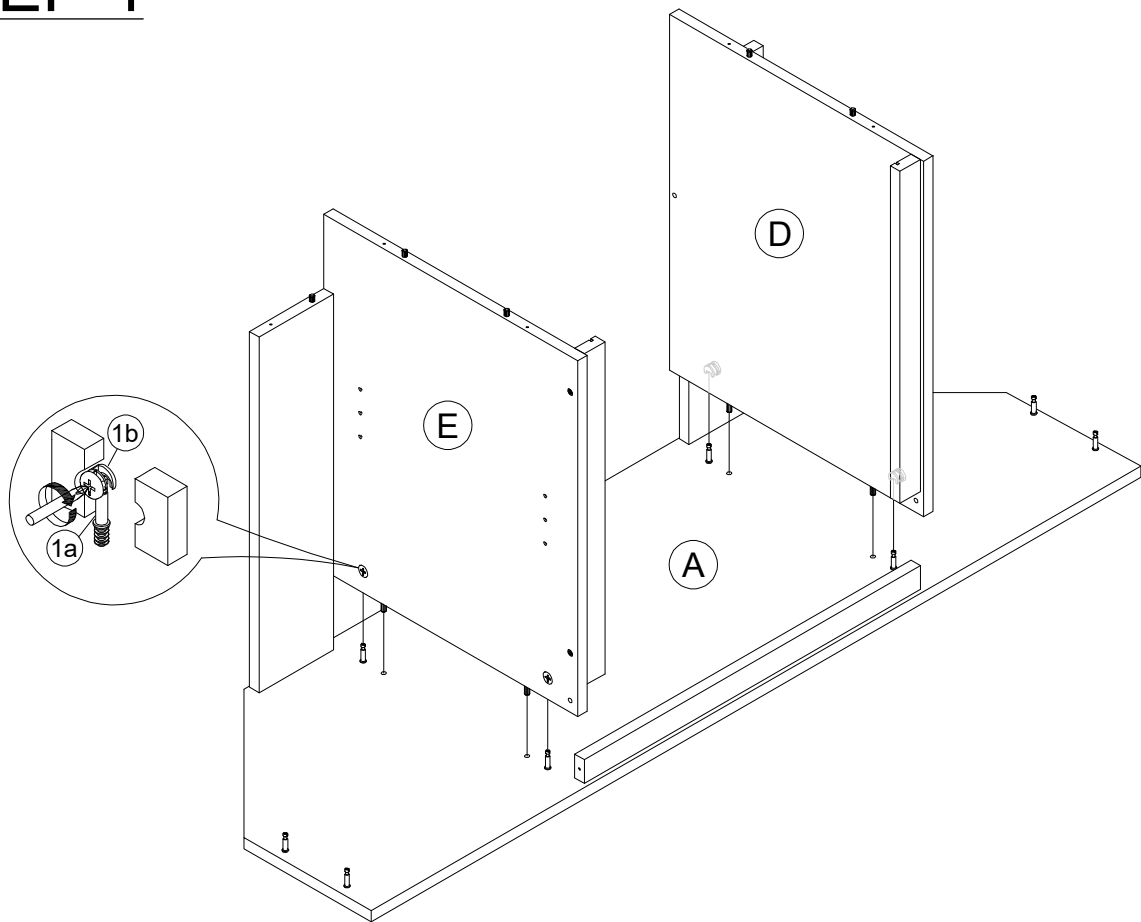
Step 3.3

Step 3.4

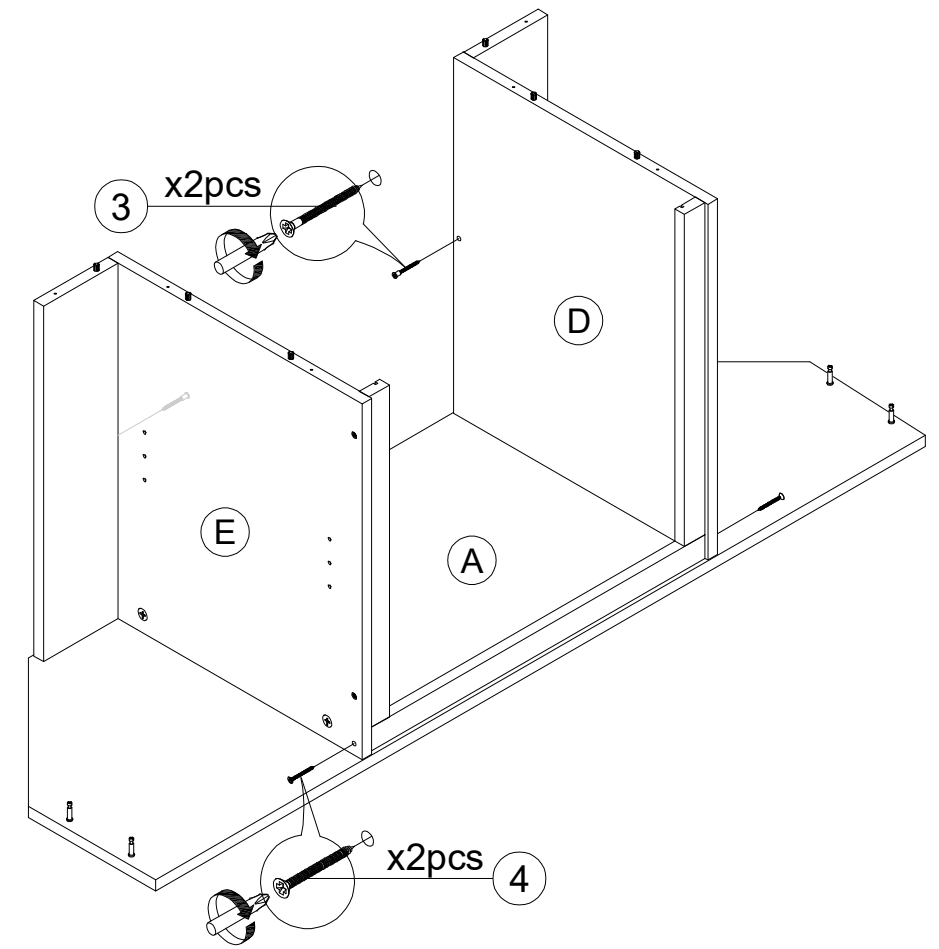


Notice: The groove is on the **UPPER** side.

STEP 4



STEP 5



STEP 6

