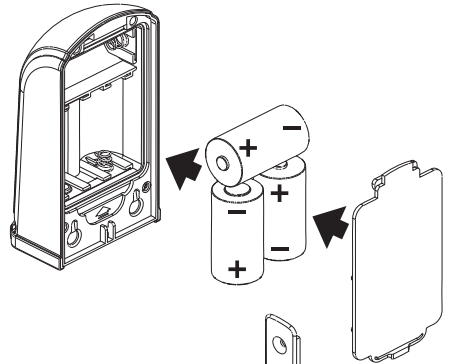


Motion Sensing Deck Light

Installation Instructions

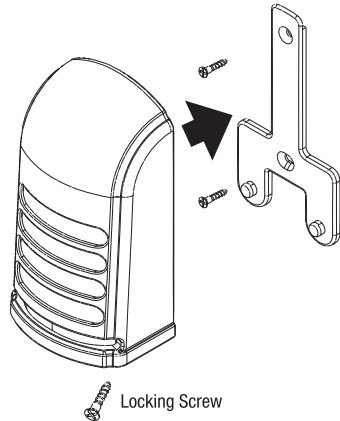
Battery Installation

- Remove mounting plate by sliding down and lifting out of keyholes
 - Remove battery cover by pressing up on tab and lifting out
 - Insert 3 C alkaline batteries (not included).
 - Note: be sure batteries are orientated properly. Markings for +/- are engraved in the battery compartment.
- * Estimated battery life of 1 year running 12 hours a night on alkaline batteries with up to 14 triggers per night in low light level setting.



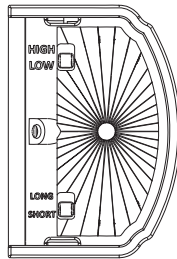
Mounting Motion Deck Light

- Adjust time and light level if desired.
- Install mounting plate in desired location using screws.
- Install front cover by lining up keyholes and sliding unit down.
- Insure top of mounting plate slides into slot at the top of the unit for a secure fit.
- Install locking screw (included) through the bottom of the unit into the mounting surface to prevent removal.



Product Specifications

- Motion Coverage – 30' by 160 degrees
- "Low-Glow" accent light runs dusk to dawn
- Two brightness settings when motion is detected
 - Hi level for walkways and entry areas
 - Low level for outdoor living areas
- Time Settings -
 - Long – 5 min for living areas
 - Short – 30 sec for walkways



Xodus Innovations, LLC
2025 Yore Avenue
Benton Harbor, MI 49022
www.xodusinnovations.com
Made in China

Model # BL775
1 year limited warranty
Patent # 6,992,591
Additional patents pending