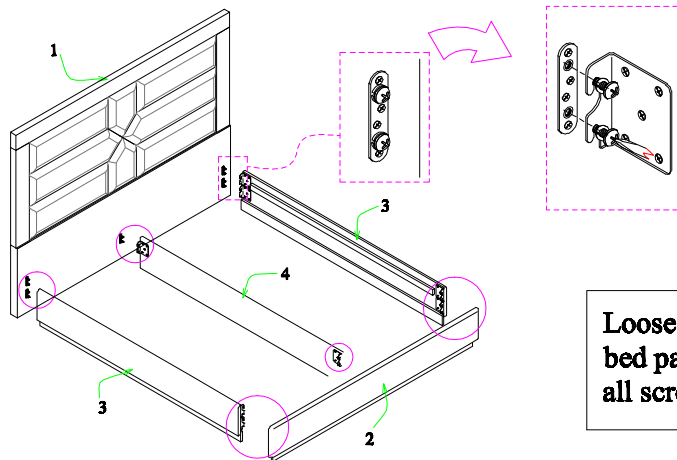


ASSEMBLY INSTRUCTION

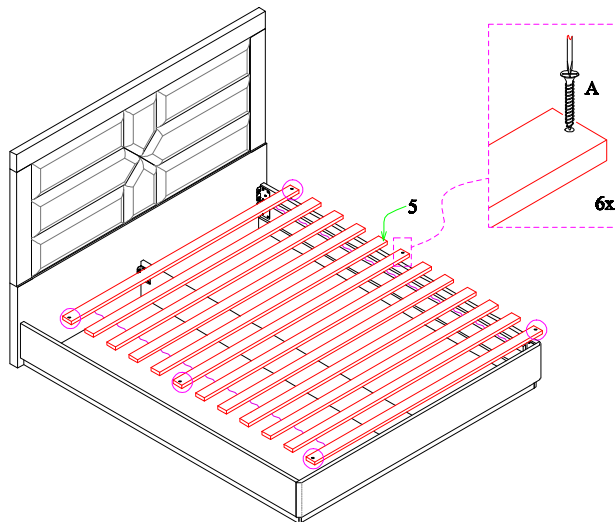
Thank you for purchasing this quality product. Be sure to check all packing material carefully for small parts that may have come loose inside the carton during shipment.

STEP 1



Loose the screw and install bed part, then tighten all screws.

STEP 2



PART LIST

No	DESCRIPTION	SKETCH	QTY
1	Headboard		1pc
2	Footboard		1pc
3	Side Rail		2pcs
4	Center Rail		1pc
5	Slat		1set

HARDWARE LIST

No	DESCRIPTION	SKETCH	QTY
A	TRUSS HD C/B M4 x 32mm		6pcs
B	JCBC Screw M6 x 15mm		20pcs
C	Phillips head screwdriver		1pc
D	Spring Washer M8		20pcs
E	Plat		10pcs

Remarks :

Hardware is pre installed on the headboard, footboard, side rail and center rail.