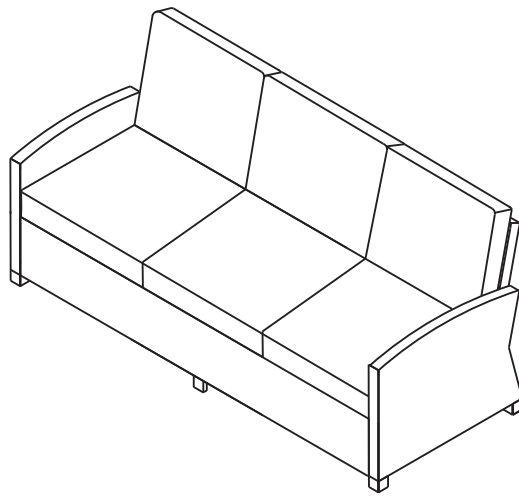
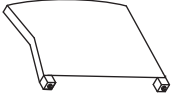
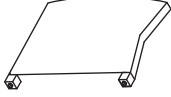









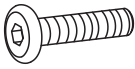
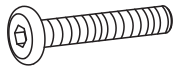
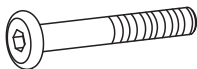
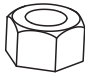

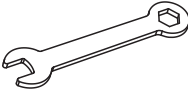

Outdoor Wicker Sofa



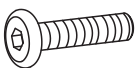
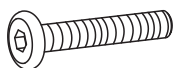
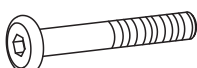


PART LIST

				
<p>Left Arm Panel 1PC</p>	<p>Right Arm Panel 1PC</p>	<p>Back Panel 1PC</p>	<p>Seat Panel 1PC</p>	<p>Center Leg 1PC</p>
				
<p>Cover Of Seat Cushion 3PCS</p>	<p>Inner Of Seat Cushion 3PCS</p>	<p>Cover Of Back Cushion 3PCS</p>	<p>Inner Of Back Cushion 3PCS</p>	

HARDWARE LIST

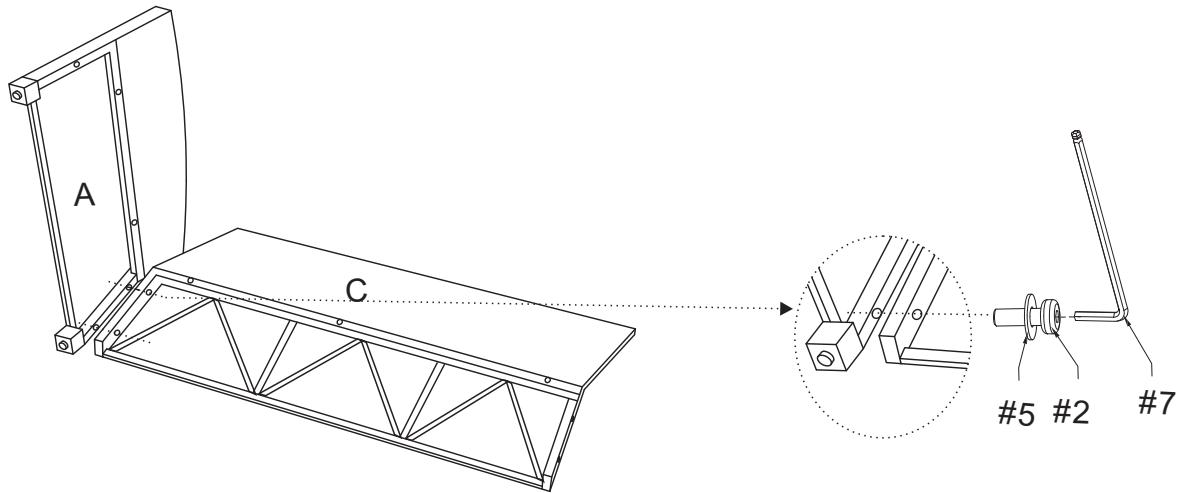
				
<p>M6*40mm</p> <p>Short Bolt 4PCS</p>	<p>M6*55mm</p> <p>Medium Bolt 4PCS</p>	<p>M6*65mm</p> <p>Long Bolt 7PCS</p>	<p>M6mm</p> <p>Nut 7PCS</p>	<p>M6mm</p> <p>Washer 22PCS</p>
				
<p>M6mm</p> <p>Wrench 1PC</p>	<p>M6mm</p> <p>Allen Key 1PC</p>			

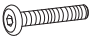


EXTRA HARDWARE LIST

				
<p>M6*40mm</p> <p>Short Bolt 1PC</p>	<p>M6*55mm</p> <p>Medium Bolt 1PC</p>	<p>M6*65mm</p> <p>Long Bolt 2PCS</p>	<p>M6mm</p> <p>Nut 2PCS</p>	<p>M6mm</p> <p>Washer 3PCS</p>

Step 1. Lay back panel (part #C) down on a flat surface. Attach left arm panel (part #A) to back panel (part #C) using the medium bolts (part #2), washers (part #5) & allen key (part #7).

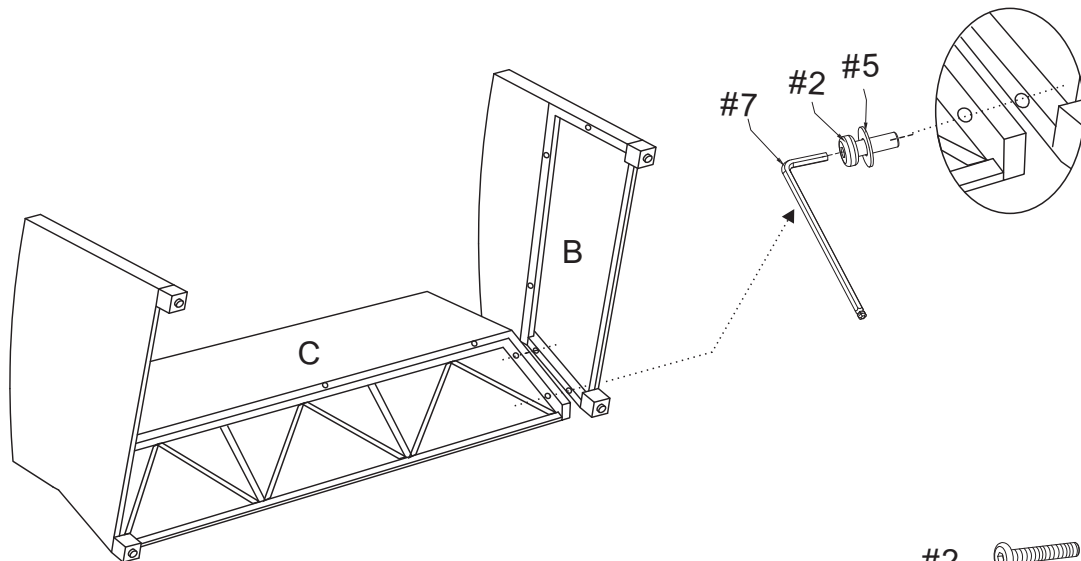
NOTE: Please do not fully tighten bolts until unit is fully assembled.






- | | | |
|----|---|----|
| #2 |  | x2 |
| #5 |  | x2 |
| #7 |  | x1 |

Step 2. Attach right arm panel (part #B) to back panel (part #C) using the medium bolts (part #2), washers (part #5) & allen key (part #7).

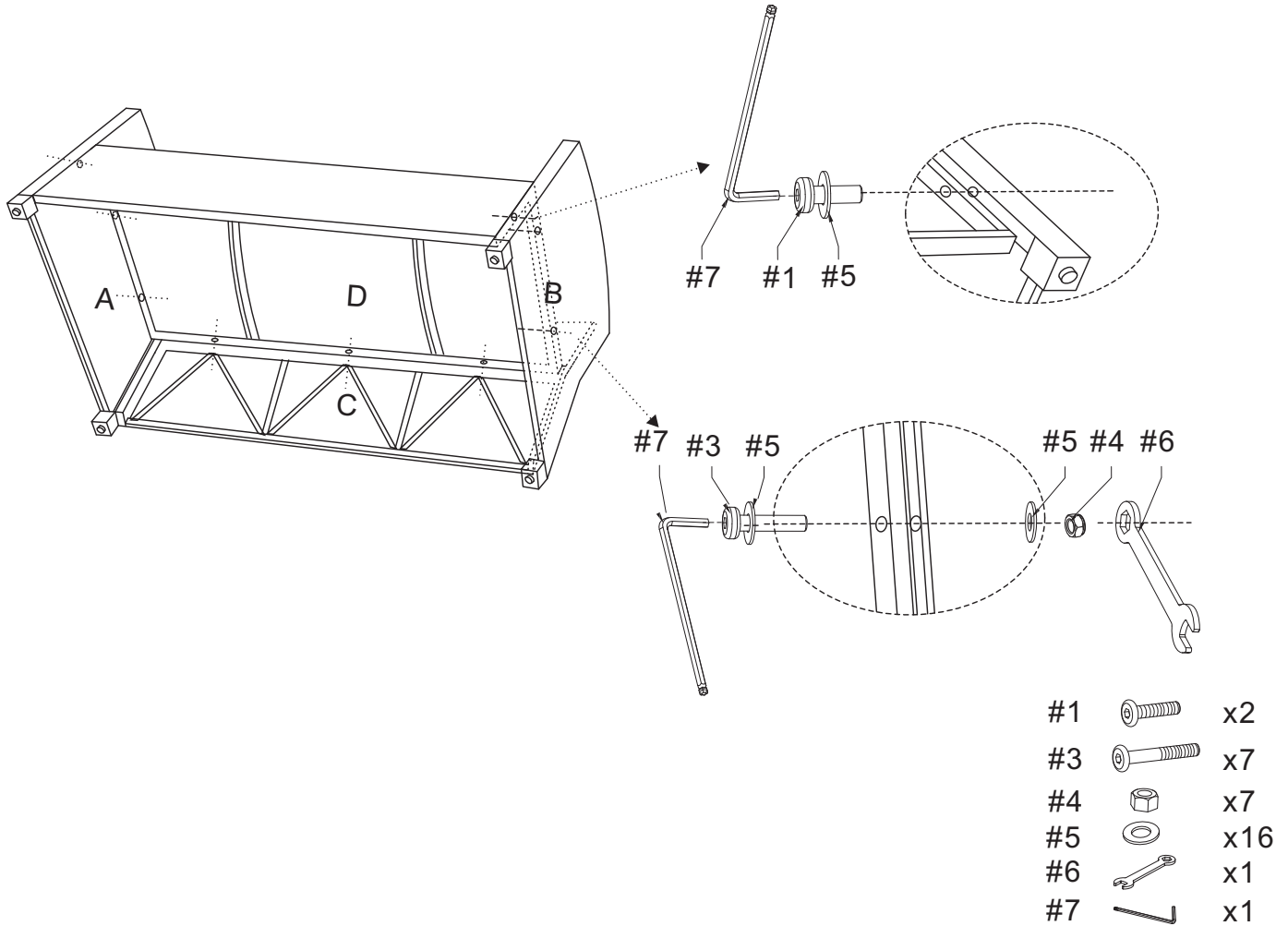
NOTE: Please do not fully tighten bolts until unit is fully assembled.



- | | | |
|----|---|----|
| #2 |  | x2 |
| #5 |  | x2 |
| #7 |  | x1 |

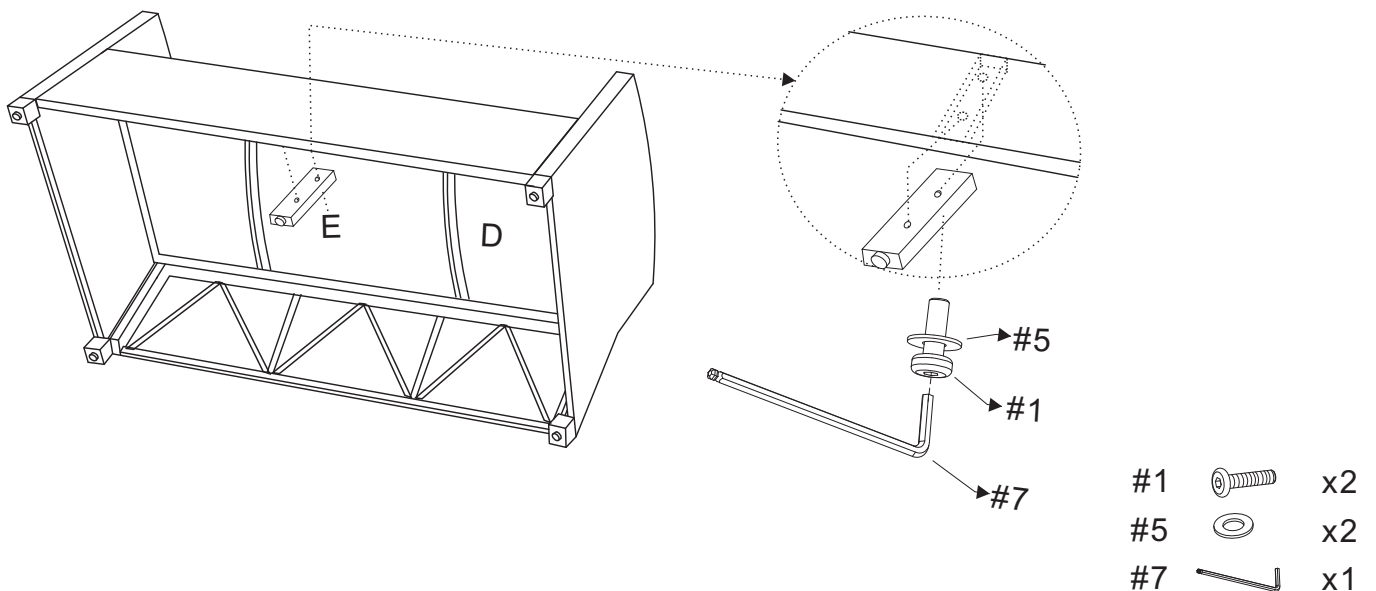
Step 3. Attach center seat panel (part #D) to assembled parts (part #A, C & B) using short bolts (part #1), long bolts (part #3), washers (part #5), nuts (part #4), wrench (part #6) and allen key (part #7).

NOTE: Please do not fully tighten bolts until unit is fully assembled.

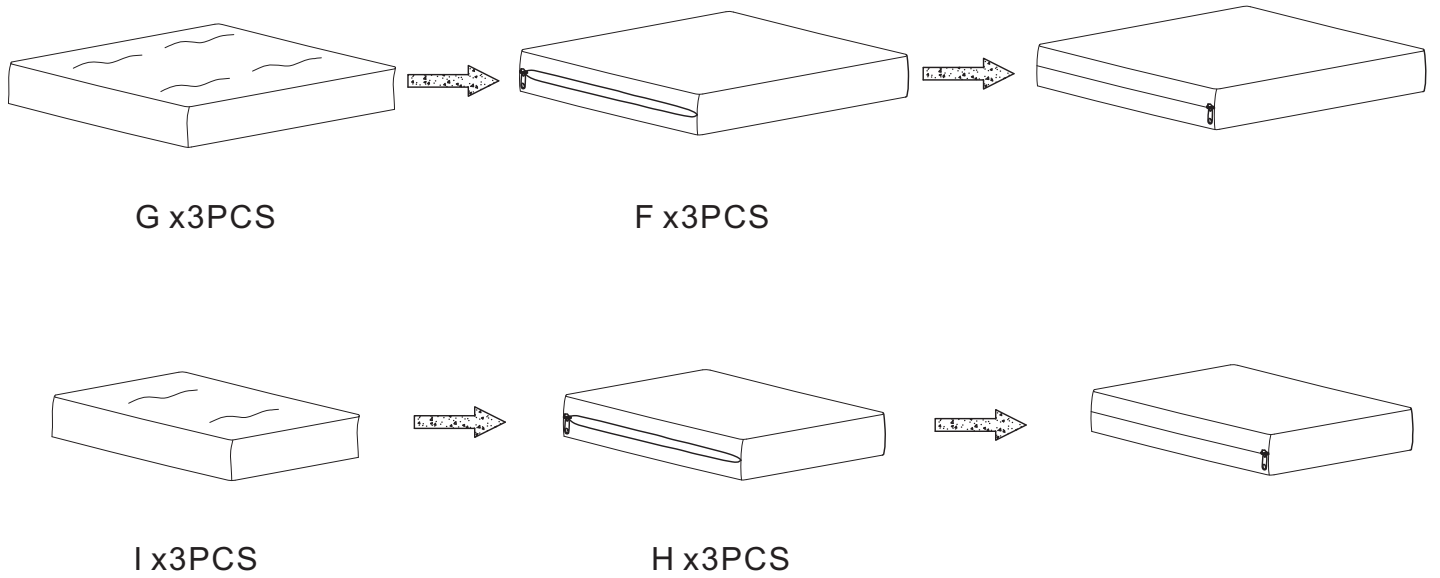


Step 4. Attach center leg (part #E) to seat panel (part #D) using short bolts (part #1) washers (part #5) and allen key (part #7).

NOTE: Please fully tighten all bolts at this time.



Step 5. Insert inner of seat cushion(part #G)into cover of seat cushion(part #F).
Insert inner of back cushion(part #I)into cover of back cushion(part #H).



Step 6. Place seat cushion and back cushion on the sofa.

