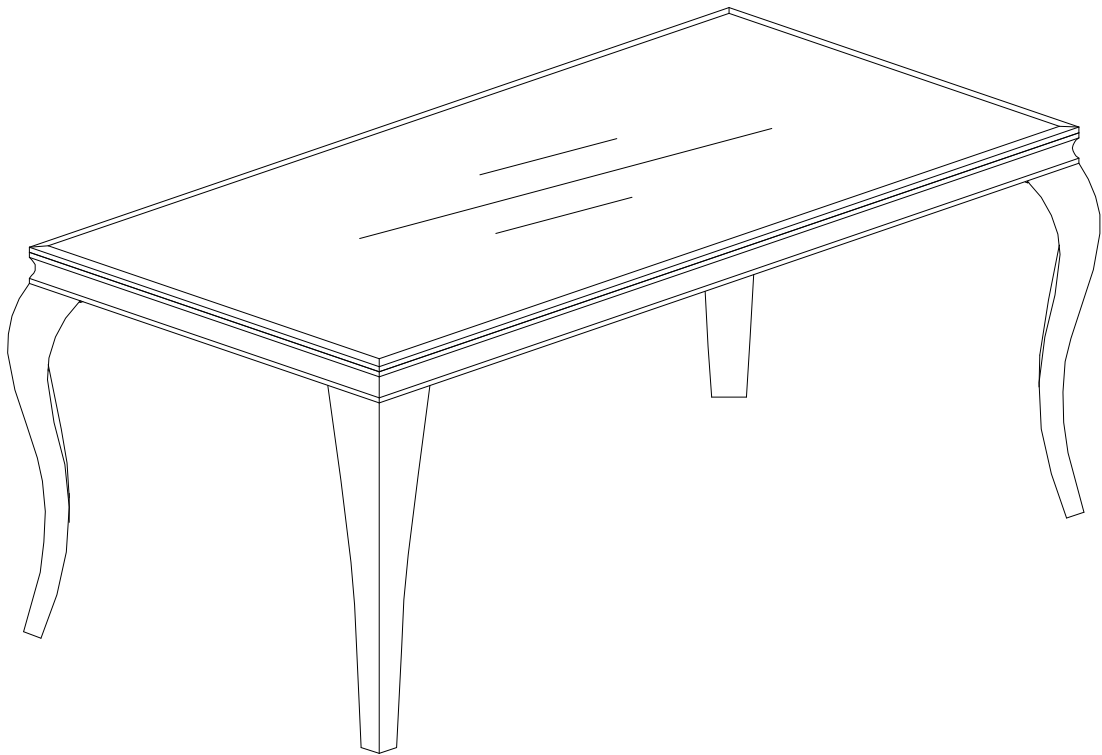


# *ASSEMBLY INSTRUCTIONS*



*Dining Table*

# ASSEMBLY INSTRUCTIONS

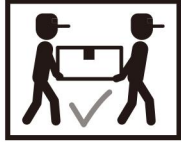
## ASSEMBLY TIPS:

1. Remove hardware from box and sort by size.
2. Please check to see that all hardware and parts are present prior to start of assembly.
3. Please follow attached instructions in the same sequence as numbered to assure fast & easy assembly.



### WARNING!

1. Don't attempt to repair or modify parts that are broken or defective. Please contact the store immediately.
2. This product is for home use only and not intended for commercial establishments.



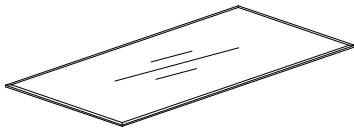
ASSEMBLY TIME

10 MINUTES

## PARTS IDENTIFICATION

### B1(BOX 1)

A GLASS



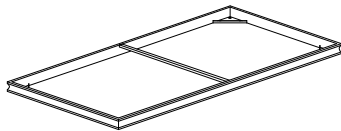
1PC

C LEG



4PCS

B TOP FRAME

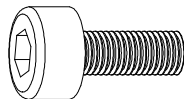


1PC

## Z HARDWARE IDENTIFICATION

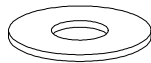
### B3(BOX 3)-HARDWARE PACK IS LOCATED IN 105071(B3)

1 BOLTS M10\*12



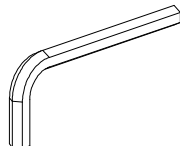
12PCS

2 FLAT WASHER Ø10\*20



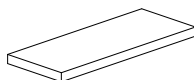
12PCS

3 ALLEN WRENCH 8MM



1PC

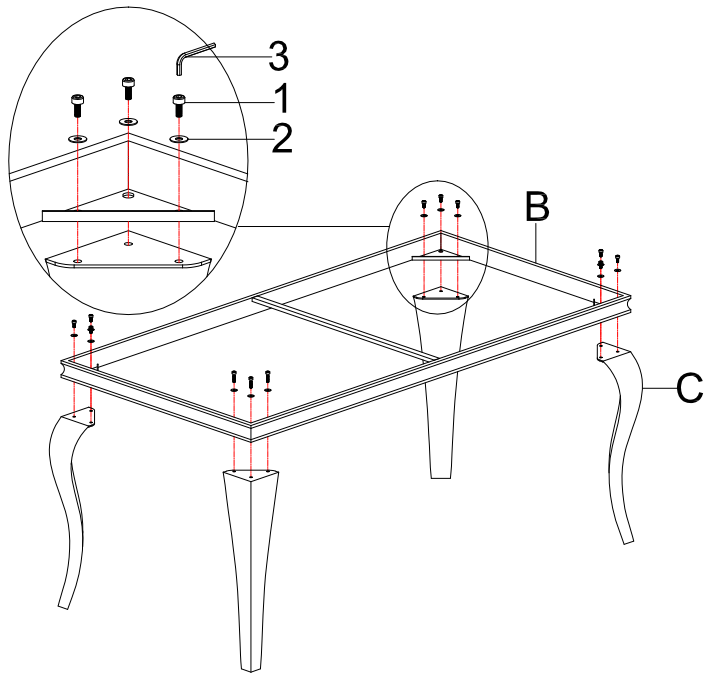
4 GLASS REST



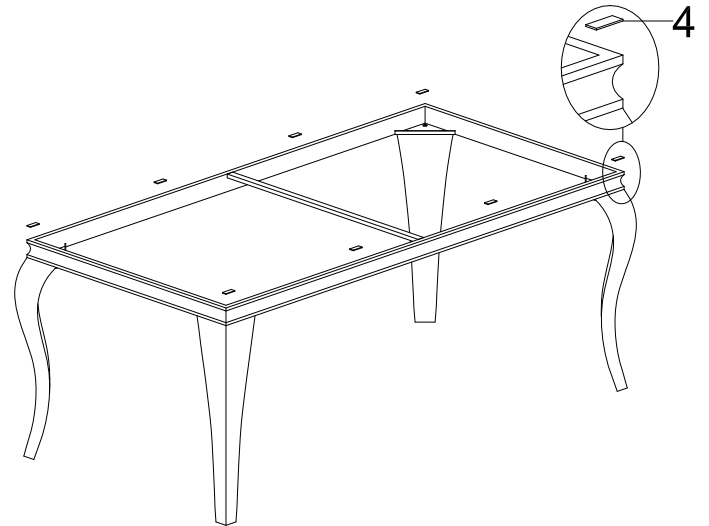
8PCS

# ASSEMBLY INSTRUCTIONS

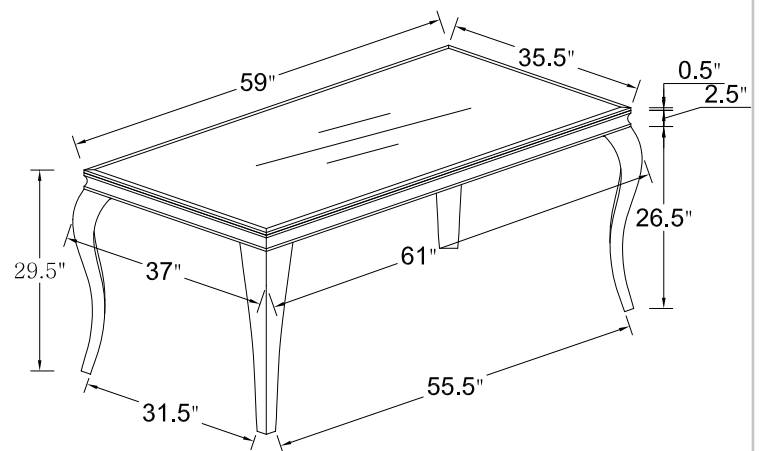
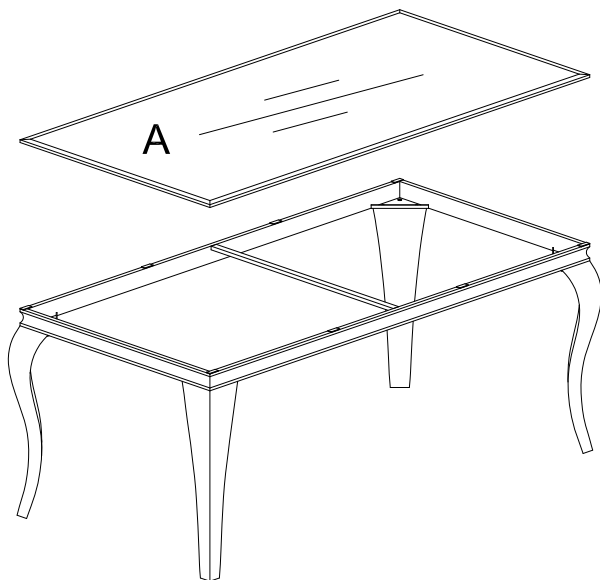
## STEP1



## STEP2



## STEP3



NOTE :DIMENSION TOLERANCE  $\pm 5\%$