

PLEASE KEEP ME WITH YOUR PROOF OF PURCHASE FOR FUTURE REFERENCE



## ASSEMBLY INSTRUCTIONS

### Dubai Rectangular Corner Platform Seating

(69801012)

#### ATTENTION:


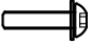




1. Please read these instructions carefully before assembly
2. Aluminium is soft metal and over tightening may strip thread or break the part
3. **DO NOT** use power tools
4. Please allow 30 minutes for assembly.
5. Although assembly only requires 1 person it is advised that a second person be present to help turn the **seat unit** over and into position when fully assembled

#### LH SOFA ASSEMBLY STEPS:

1. Turn the sofa (A) upside down on a soft clean surface
2. Attach middle leg (B) to the Sofa (A) with bolts (BB) using Allen key (CC)
3. Turn Sofa over and place in desired position.
4. **LOOSELY** attach assembled backrest (C) to Sofa (A) with bolts (AA) and bolts (BB) on the side using Allen key (CC) **DO NOT TIGHTEN THE BOLTS AT THIS STAGE**
5. Tighten all bolts using Allen key (CC) one by one being careful not to over tighten any as this will cause the thread to become damaged
6. Place all cushions on the sofa seat.

For more information regarding maintenance of your furniture please visit

[http://www.hartmanuk.co.uk/after\\_care\\_videos.html](http://www.hartmanuk.co.uk/after_care_videos.html)

Component's				Fixings					
Parts List	Parts Picture	Description	Q'ty	Part no	Parts list	Parts Picture	Description	Q'ty	Part no.
A		Sofa Seating	1	69801012A	AA		M6*35 bolts	8	1111162
					BB		M6*20 bolts	4	1017162
B		Middle leg	1	69801012B	CC		Allen key	1	2002191
C		Backrest with one arm	1	69801012C					
D									

For replacement or lost spare parts please go to <http://faq.hartmanuk.co.uk/spares/>

**Should you have any queries about your furniture your first point of contact should be the retailer from whom you purchased your product**

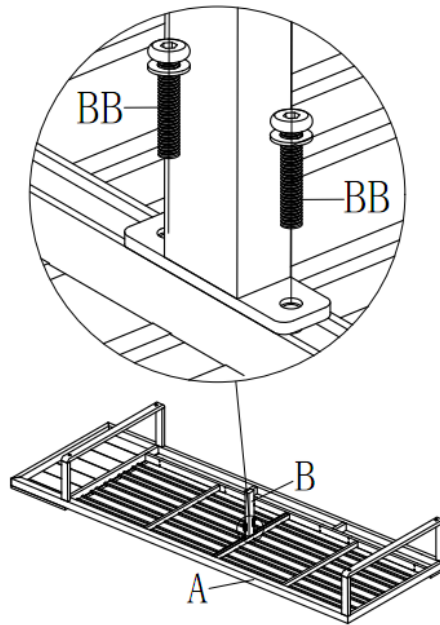
PLEASE KEEP ME WITH YOUR PROOF OF PURCHASE FOR FUTURE REFERENCE



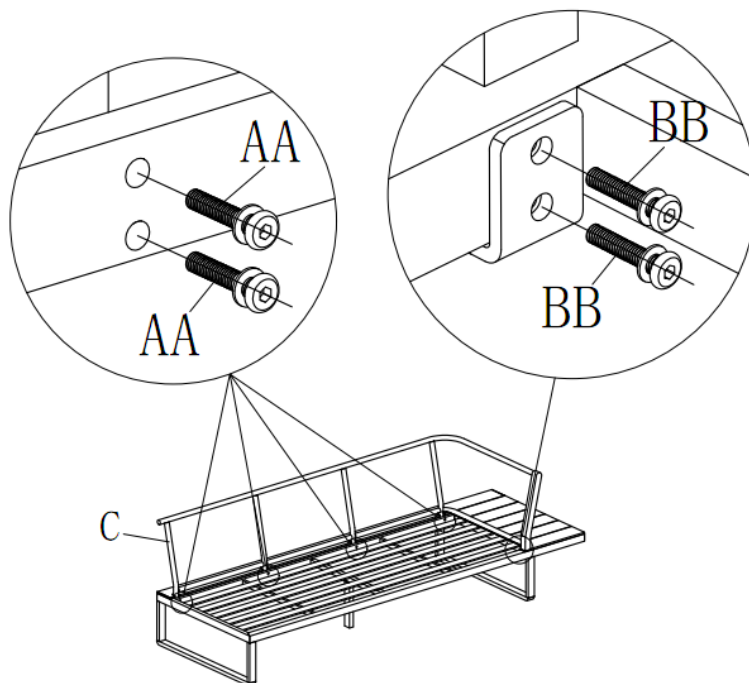
Dubai Rectangular Corner Platform Seating

(69801012)

1



2



For replacement or lost spare parts please go to <http://faq.hartmanuk.co.uk/spares/>  
Should you have any queries about your furniture your first point of contact should be the retailer from whom you purchased your product

PLEASE KEEP ME WITH YOUR PROOF OF PURCHASE FOR FUTURE REFERENCE

**ATTENTION:**


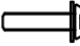
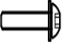



1. Please read these instructions carefully before assembly
2. Aluminium is soft metal and over tightening may strip thread or break the part
3. **DO NOT** use power tools
4. Please allow 30 minutes for assembly.
5. Although assembly only requires 1 person it is advised that a second person be present to help turn the **seat unit** over and into position when fully assembled

**RH SOFA ASSEMBLY STEPS:**

1. Turn the sofa (A) upside down on a soft clean surface
2. Attach middle leg (B) to the Sofa (A) with bolts (BB) using Allen key (CC)
3. Turn Sofa over and place in desired position.
4. **LOOSELY** attach assembled backrest (C) to Sofa (A) with bolts (AA) and bolts (BB) on the side using Allen key (CC) **DO NOT TIGHTEN THE BOLTS AT THIS STAGE**
5. Tighten all bolts using Allen key (CC) one by one being careful not to over tighten any as this will cause the thread to become damaged
6. Place all cushions on the sofa seat.

For more information regarding maintenance of your furniture please visit

[http://www.hartmanuk.co.uk/after\\_care\\_videos.html](http://www.hartmanuk.co.uk/after_care_videos.html)

Component's				Fixings					
Parts List	Parts Picture	Description	Q'ty	Part no	Parts list	Parts Picture	Description	Q'ty	Part no.
A		Sofa Seating	1	69801012A1	AA		M6*35 bolts	10	1111162
					BB		M6*20 bolts	4	1017162
B		Middle leg	1	69801012B1	CC		Allen key	1	2002191
C		Backrest with arm	1	69801012C1					

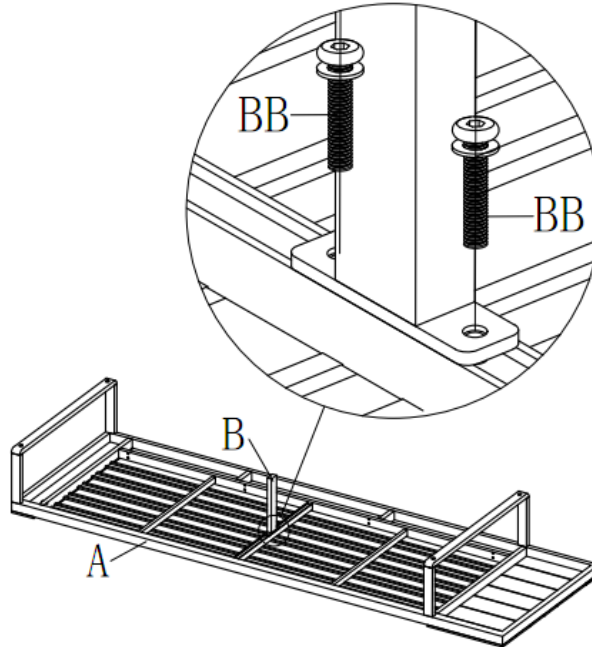
For replacement or lost spare parts please go to <http://faq.hartmanuk.co.uk/spares/>

**Should you have any queries about your furniture your first point of contact should be the retailer from whom you purchased your product**

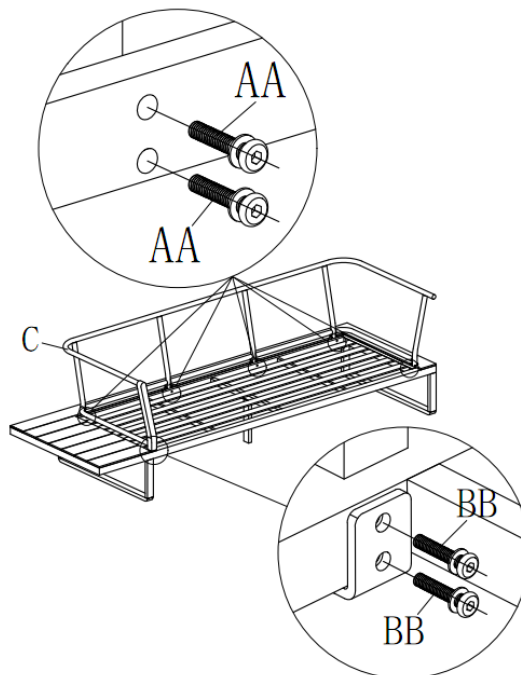
PLEASE KEEP ME WITH YOUR PROOF OF PURCHASE FOR FUTURE REFERENCE

### ASSEMBLY INSTRUCTIONS

1



2



For replacement or lost spare parts please go to <http://faq.hartmanuk.co.uk/spares/>  
Should you have any queries about your furniture your first point of contact should be the retailer from whom you purchased your product




PLEASE KEEP ME WITH YOUR PROOF OF PURCHASE FOR FUTURE REFERENCE

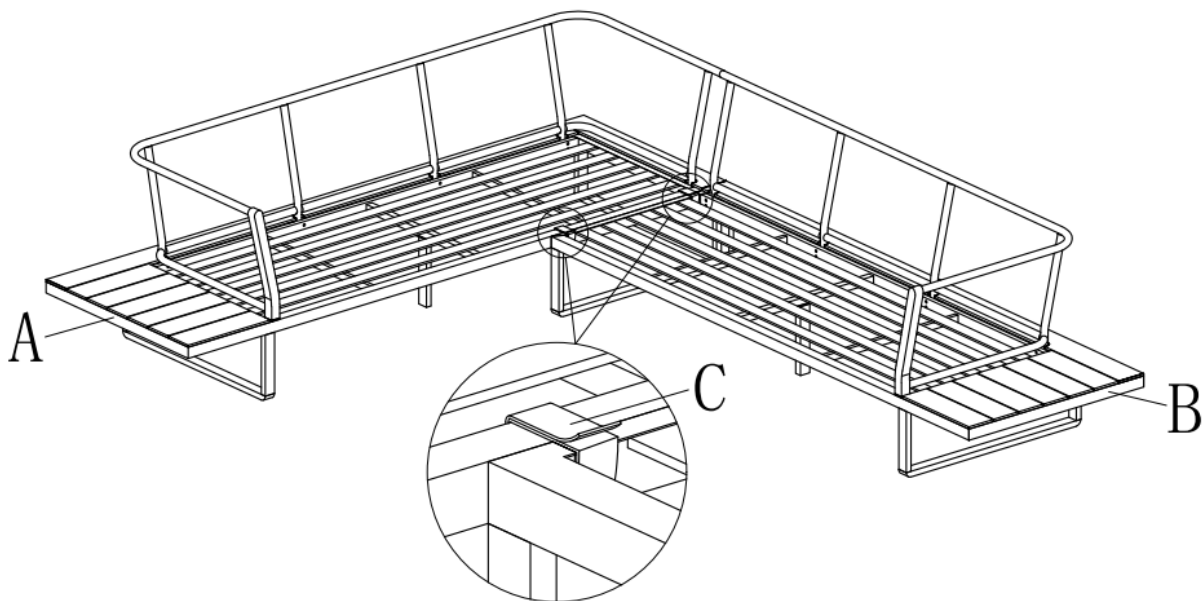
### CORNER SEATING UNIT ASSEMBLY STEPS:

1. Position part (A) and part (B) ready for assembly
2. With 2 velcro straps (C) position over the section that adjoin parts (A) and (B).
3. Place all cushions on the sofa seat.

For more information regarding maintenance of your furniture please visit

[http://www.hartmanuk.co.uk/after\\_care\\_videos.html](http://www.hartmanuk.co.uk/after_care_videos.html)

Component's					Fixings				
Parts List	Parts Picture	Description	Q'ty	Part no	Parts list	Parts Picture	Description	Q'ty	Part no.
A		Sofa A	1	69801012LH					
B		Sofa B	1	69801012RH					
C		Velcro strap	2	2200011					



For replacement or lost spare parts please go to <http://faq.hartmanuk.co.uk/spares/>

Should you have any queries about your furniture your first point of contact should be the retailer from whom you purchased your product