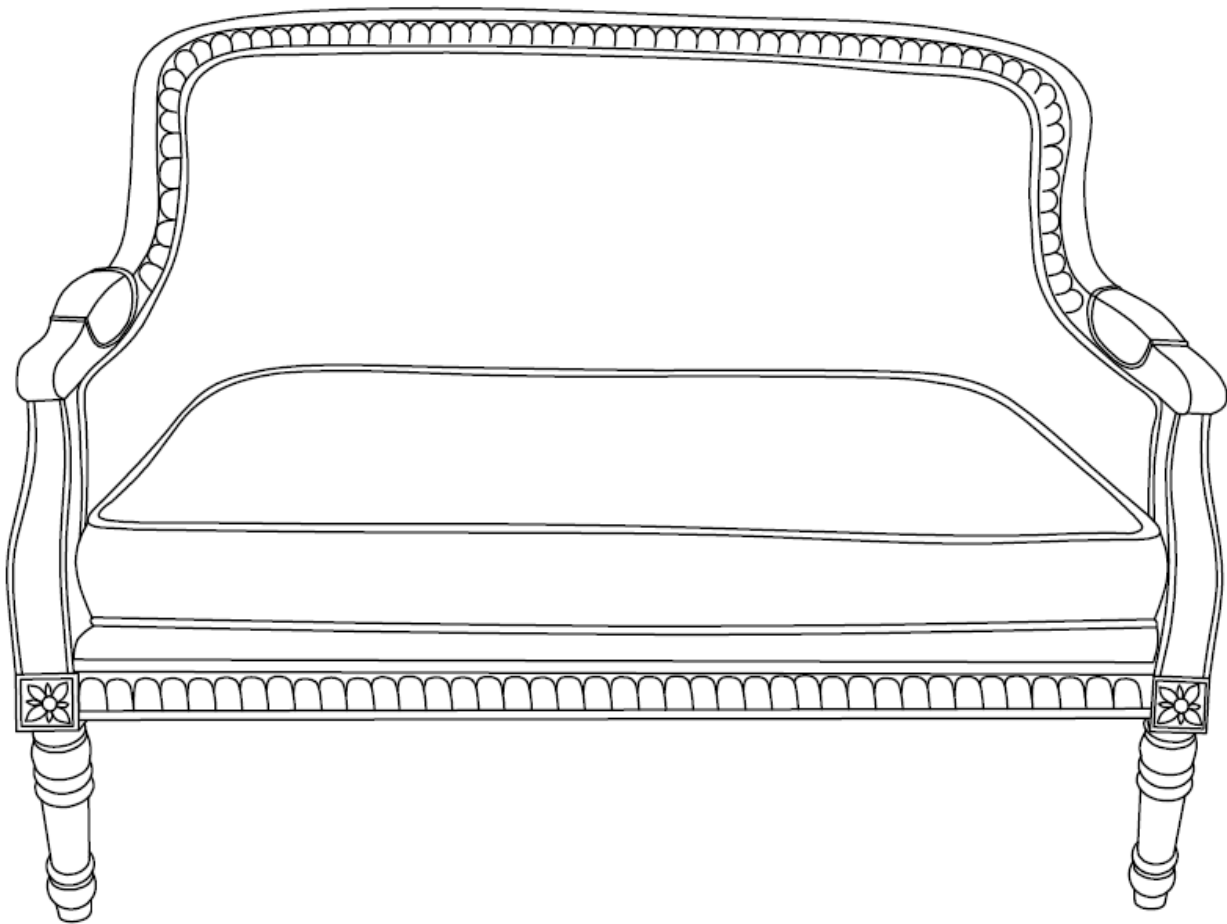


Assembly Instructions

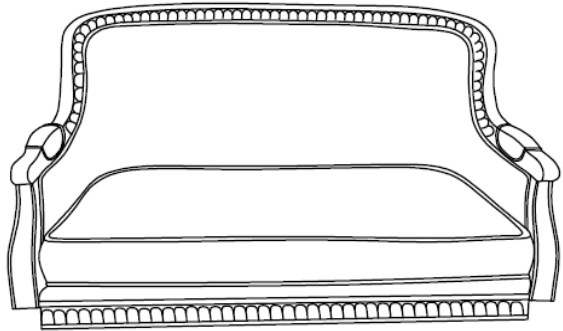


Caution : You must read this before you proceed

Please look in the inner box under seat for hardware pack and legs.






LOVESEAT



Parts List

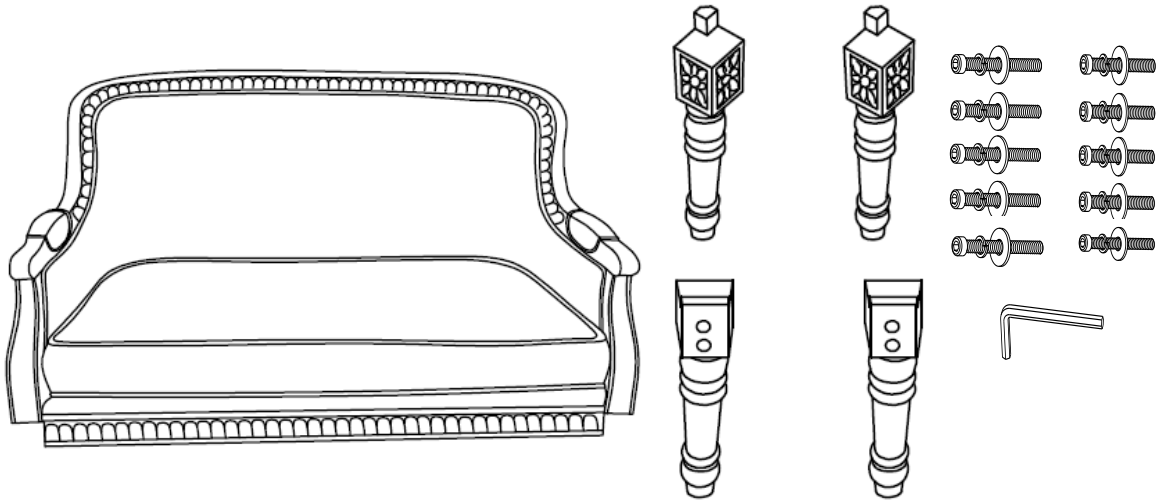
Label	Picture	Description	QTY
A		Seat	1
B		Front Leg	2
C		Back Leg	2

Hardware

Label	Picture	Description	QTY
①		Bolt (M8*63MM)	5
②		Bolt (M8*57MM)	5
③		Spring Washer	10
④		Washer	10
⑤		Allen Wrench	1

Assembly Preparation

Before Beginning Assembly :



- Read instructions, cover to cover-



- Have 2 adults on hand for assembly-



- Do not assemble on flooring or carpet-



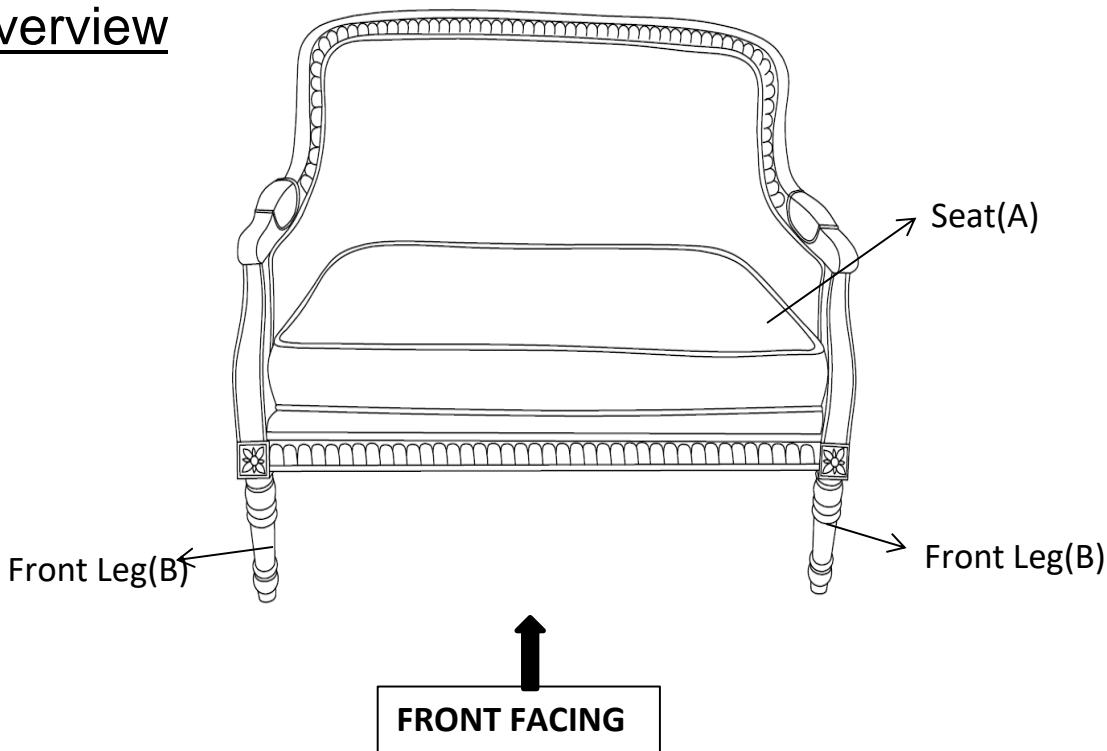
- Assemble on a clean non-marring surface (packing foam)-



- Save all packaging until finished-

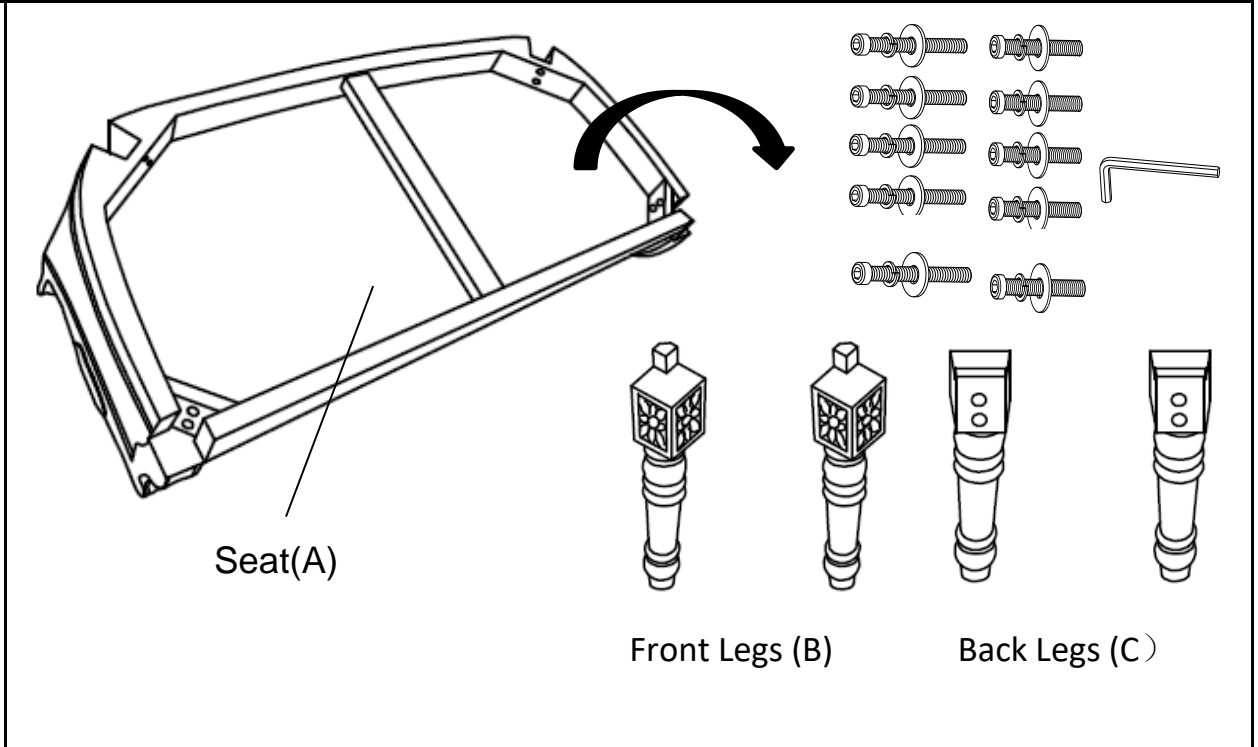
Assembly Steps

Overview



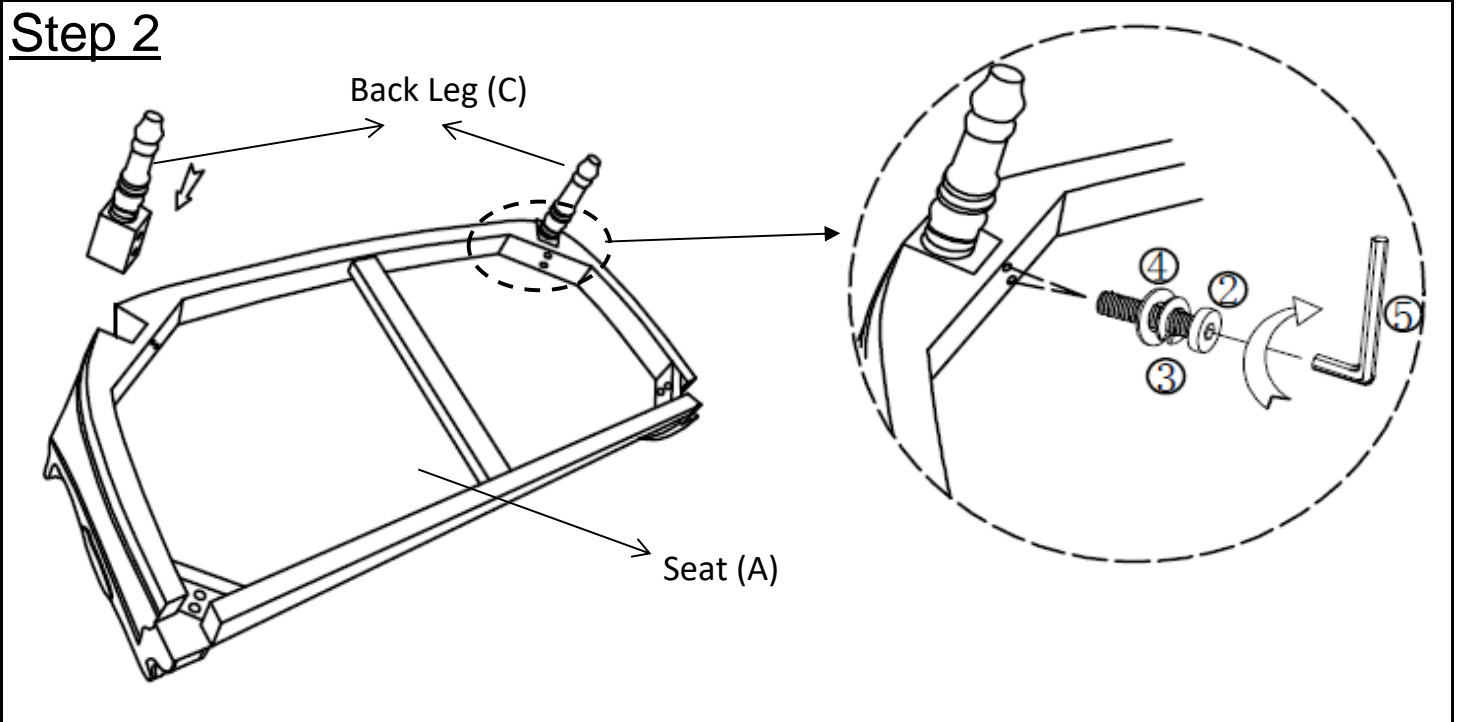
This Loveseat has multiple parts and may require up to 30 minutes to assemble. To give you an overview of the Loveseat parts, the above picture is to help you put the various parts into perspective. Please read through the instructions below to familiarise yourself with the parts and steps before assembly.

Step 1



With the assistance from a second adult, place the Seat(A) on a clean, non-marring surface with the bottom facing you, as shown in picture above. Remove the Legs and Hardware from the inner box.

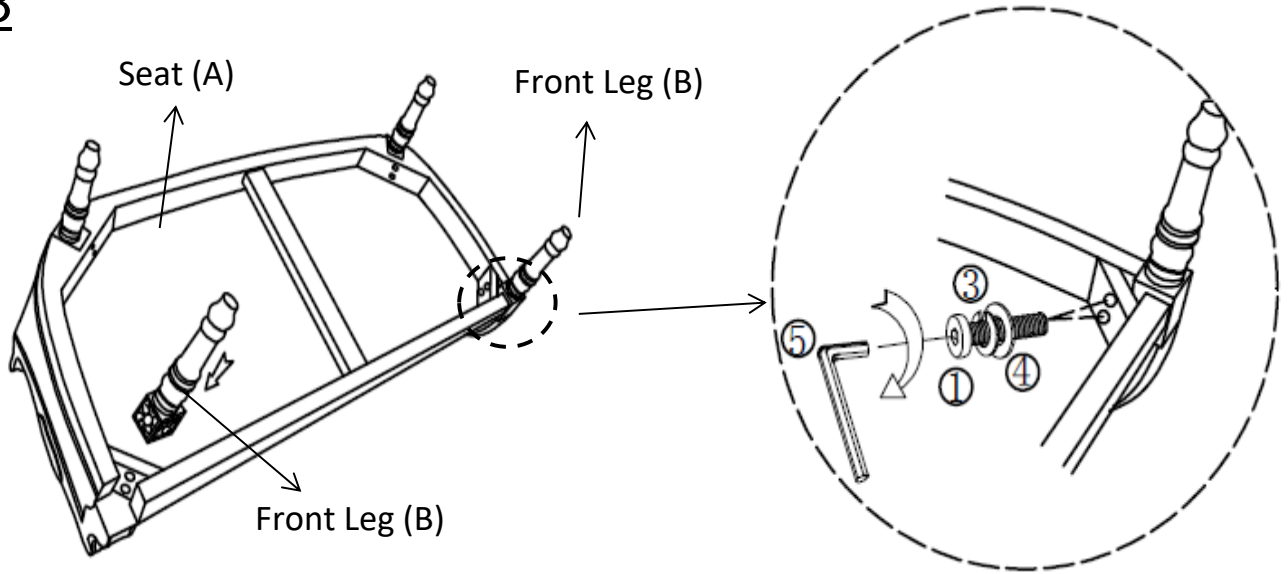
Step 2



With the assistance from a second adult, attach the two Back Legs(C) to the Seat(A) using Bolts(②), Spring Washers(③) and Washers(④) with the Allen Wrench(⑤).

Do not fully tighten the Bolts.

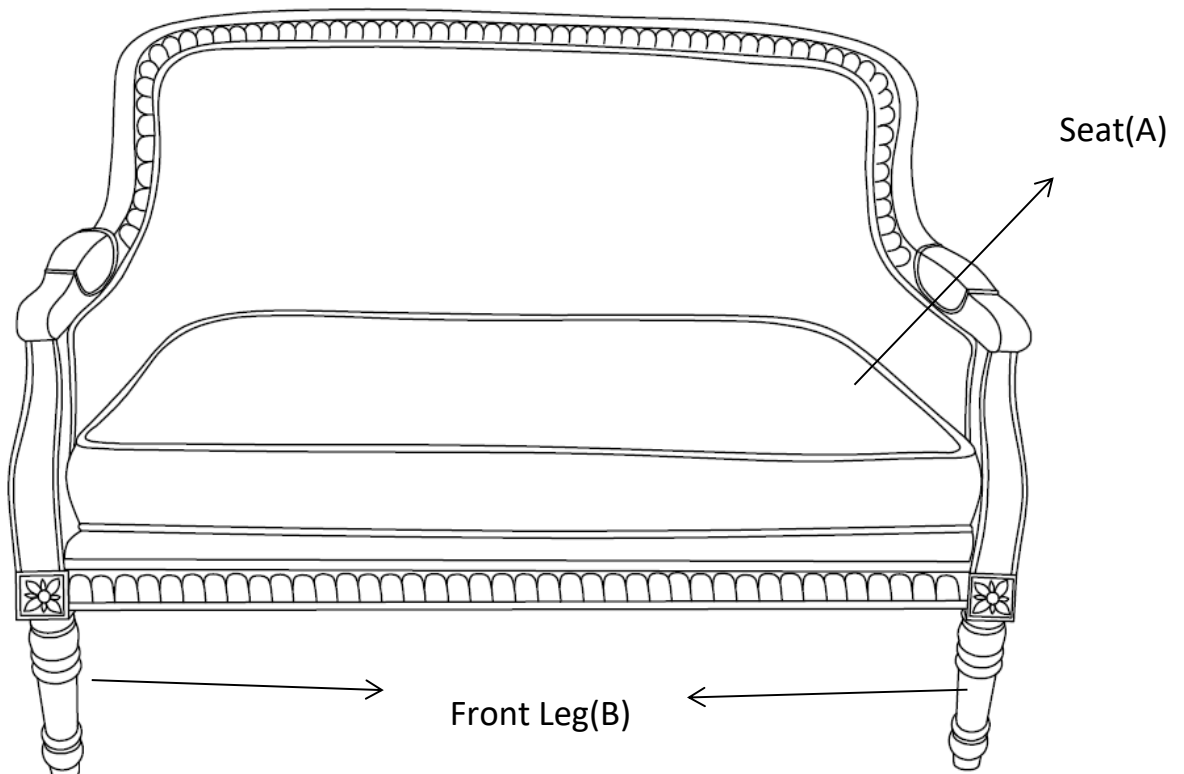
Step 3



Attach the two Front Legs(B) into the mounting positions of the Seat(A) using Bolts(①), Spring Washers(③) and Washers(④) with the Allen Wrench(⑤).

Do not fully tighten the Bolts.

Step 3



Test for Stability

Stand the Loveseat up.

Place the Loveseat on a LEVEL SURFACE.

Inspect it and make sure all parts are adequately connected.

Gently and carefully, sit on the Loveseat.

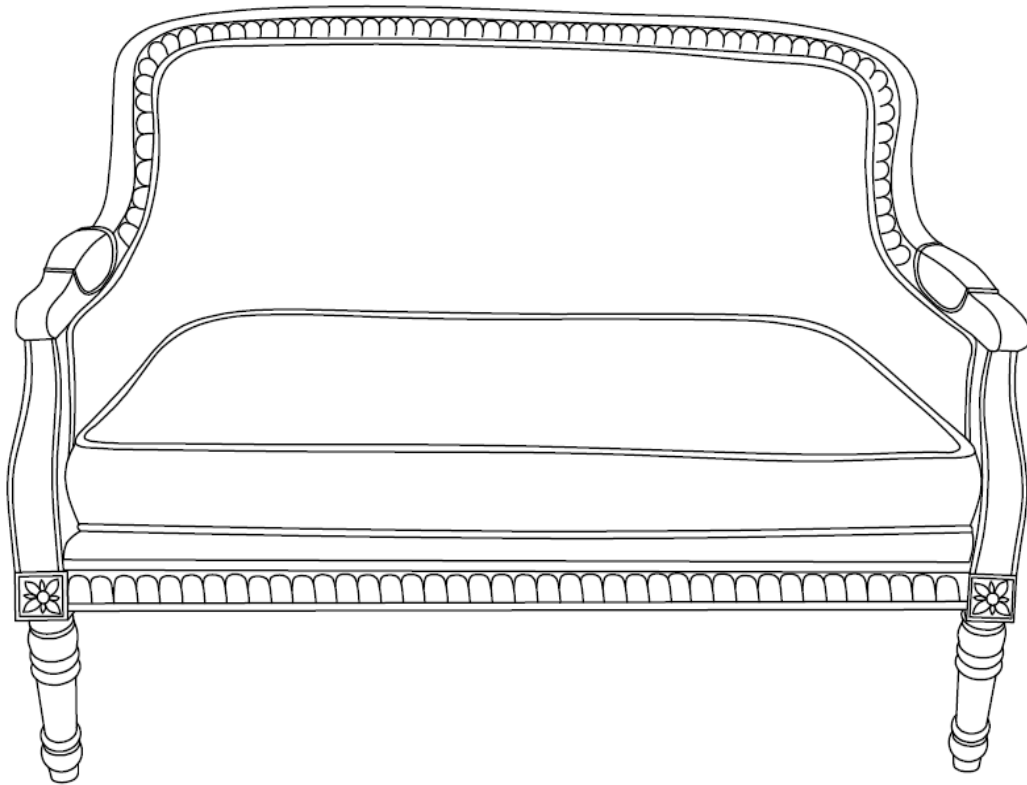
This will help to align all parts at all joints.

Then get off the Loveseat, and carefully place the Loveseat facedown.

Then proceed to tighten all Bolts at all joints in a sequential manner.

If there are any wobbles after tightening, loosen the Bolts and execute the same process.











Step 5




Your Loveseat is ready for use.

This Loveseat can only be used on a flat, level surface.

Care & Maintenance

- ✓  ● Furniture may scratch floors. We recommend using furniture pads to protect your floors.
- ⊘  ● Do not put hot items directly on furniture surface.
- ⊘  ● Do not clean furniture with harsh cleansers or polish.
- ⊘  ● Do not place furniture under direct sunlight.
- ⊘  ● Do not place furniture near heating or cooling vents.
- ⊘  ● Do not write on furniture without a padded barrier to protect the surface.
- ⊘  ● Do not place furniture outside . For indoor use only.
- ⊘  ● Not for commercial use. For residential use only.
- ⊘  ● Stains may be removed with mild soap solution and damp cloth.
- ⊘  ● Children should not climb or jump on the furniture.

- ✓  ● Dust and pick-up spills using a clean, non-colored, lint-free cloth.