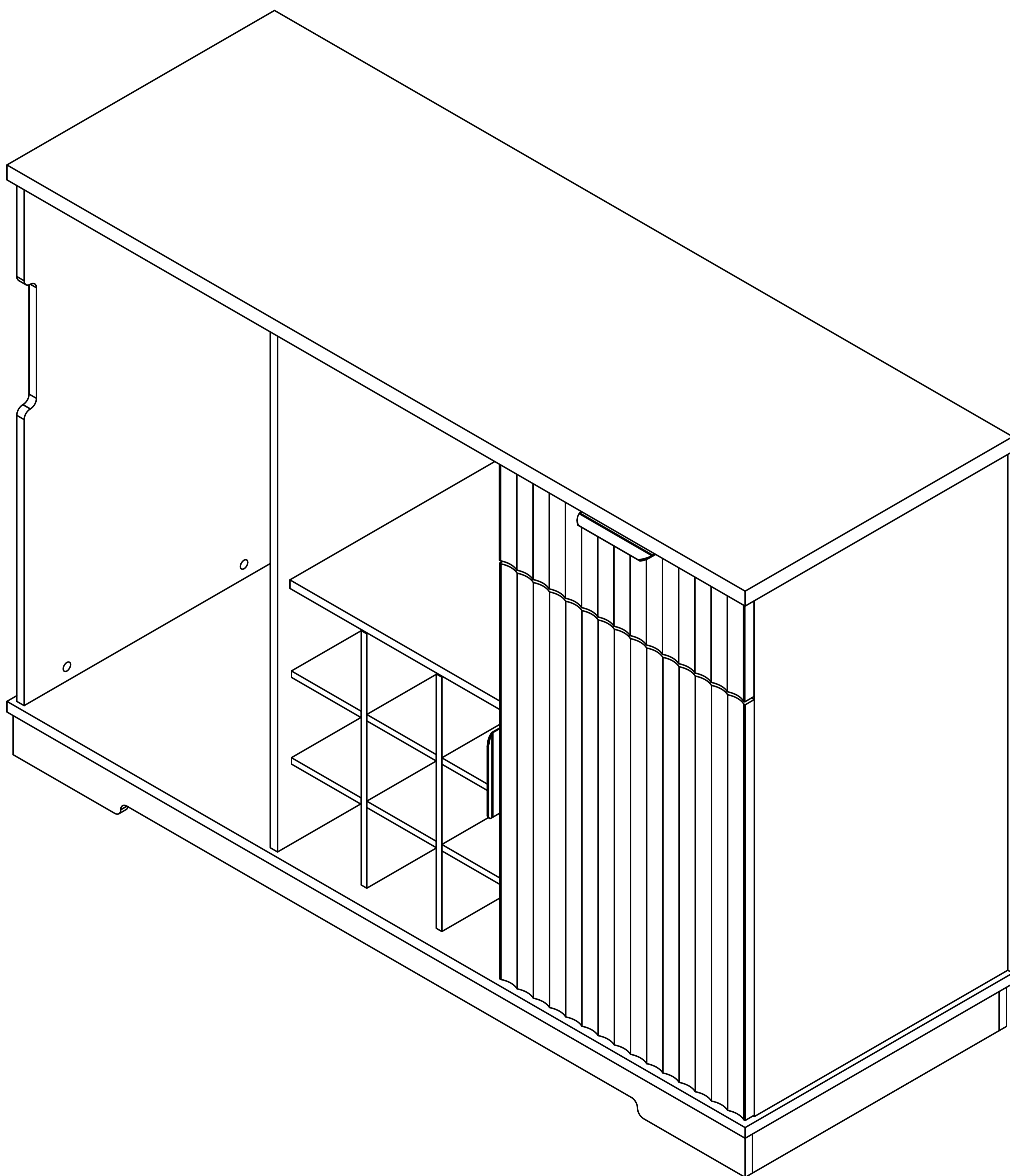
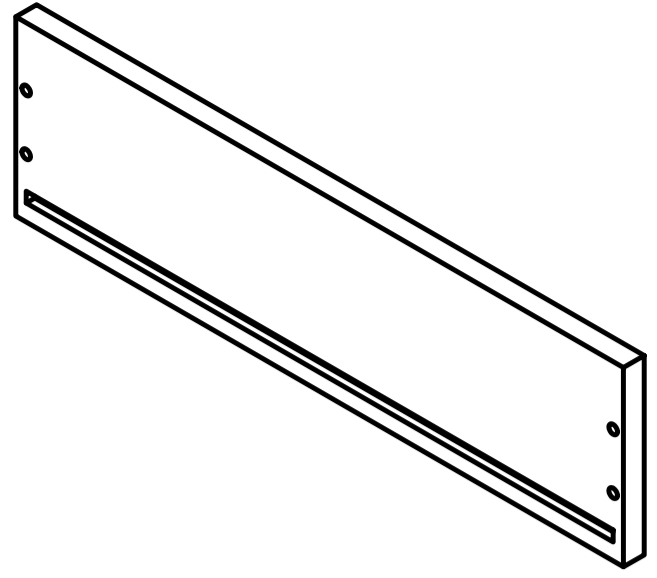
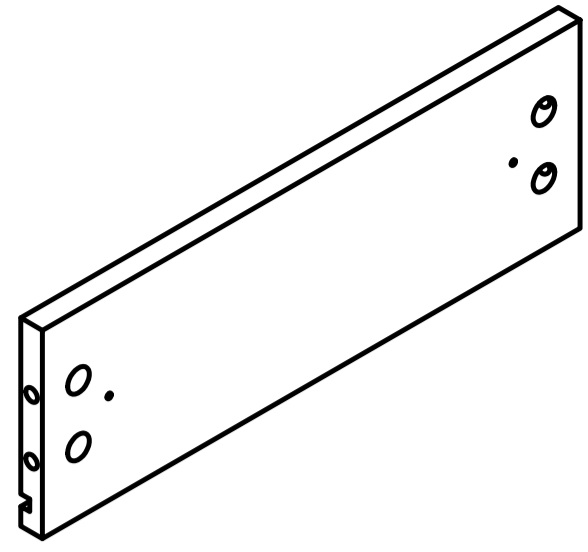


Product Installation Instructions

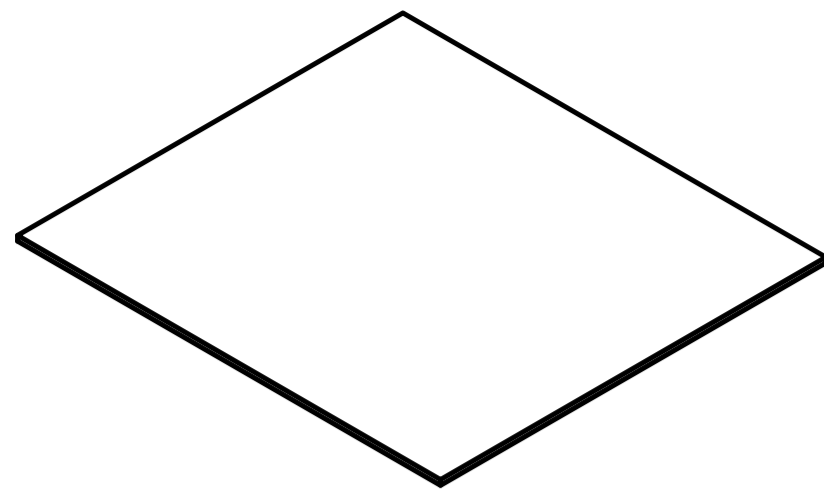




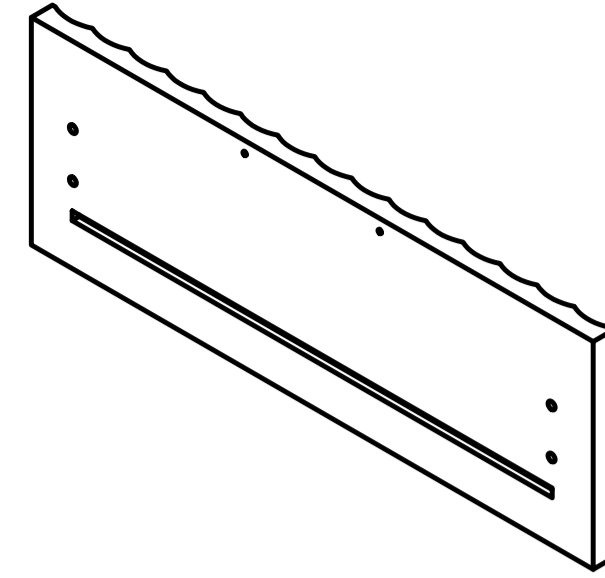
Ax1



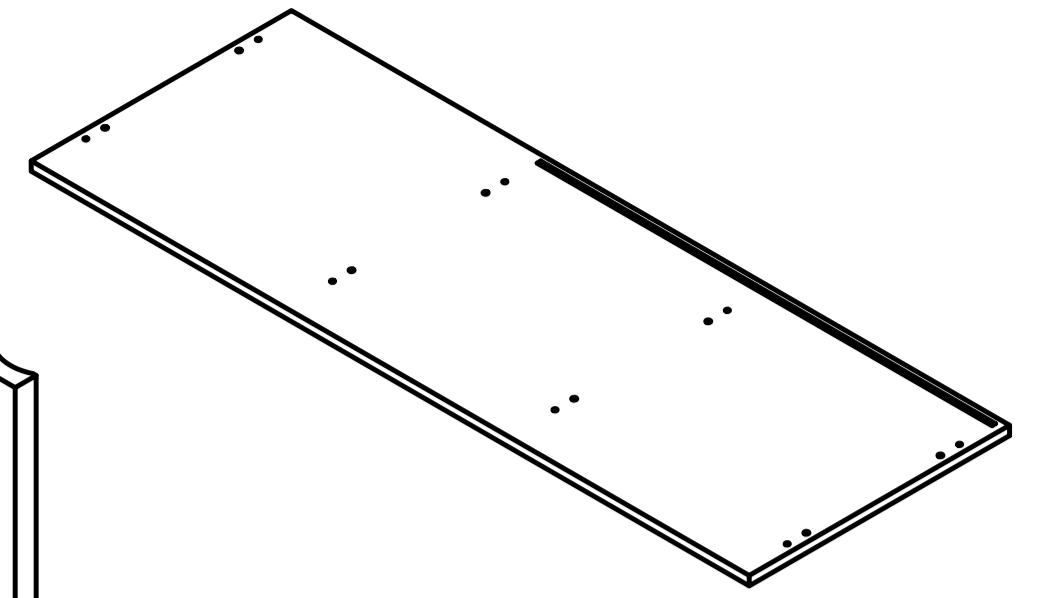
Bx2



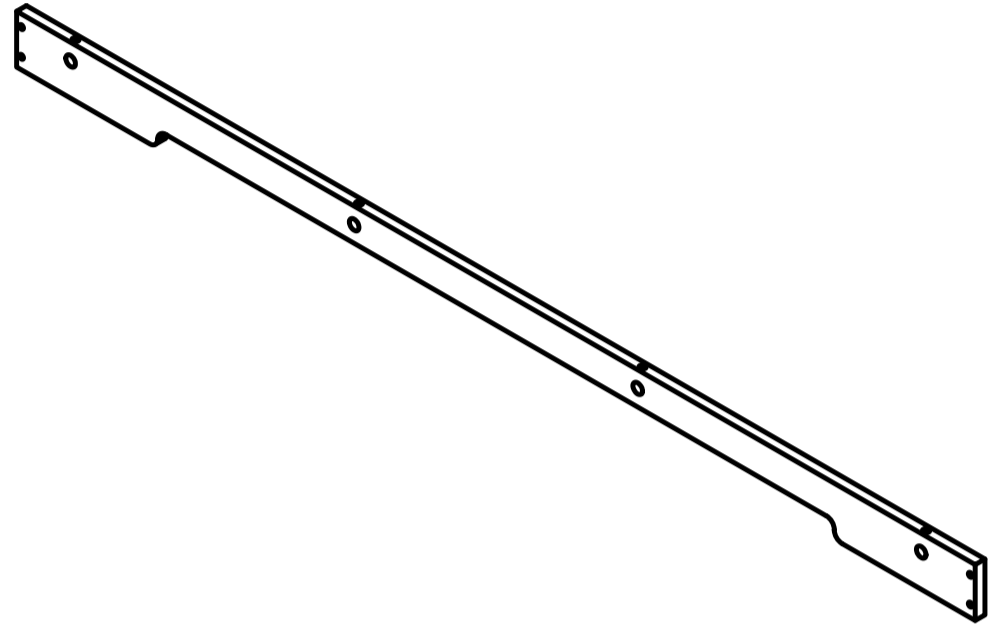
Cx1



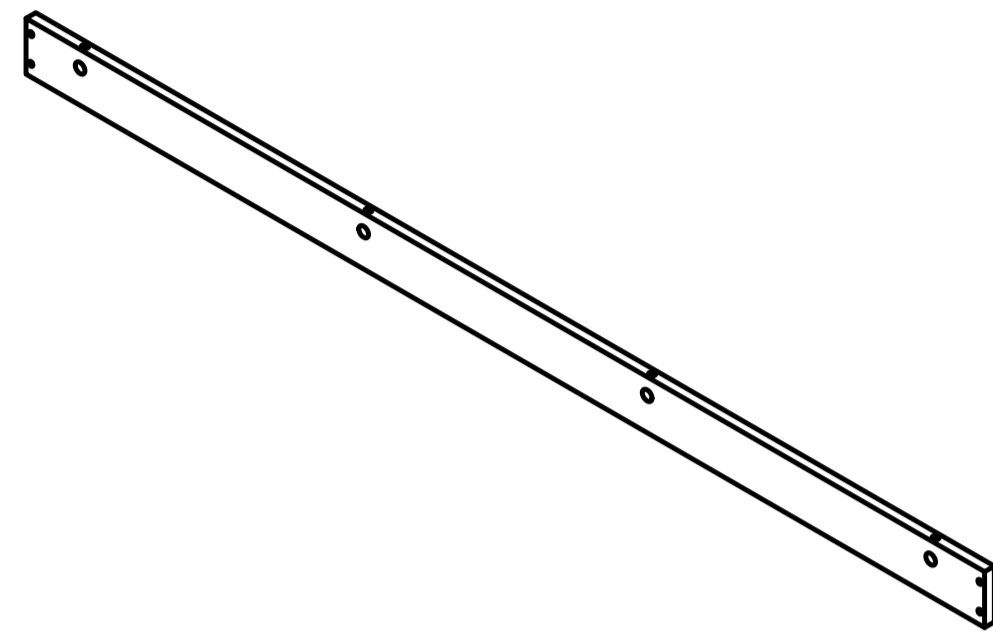
Dx1



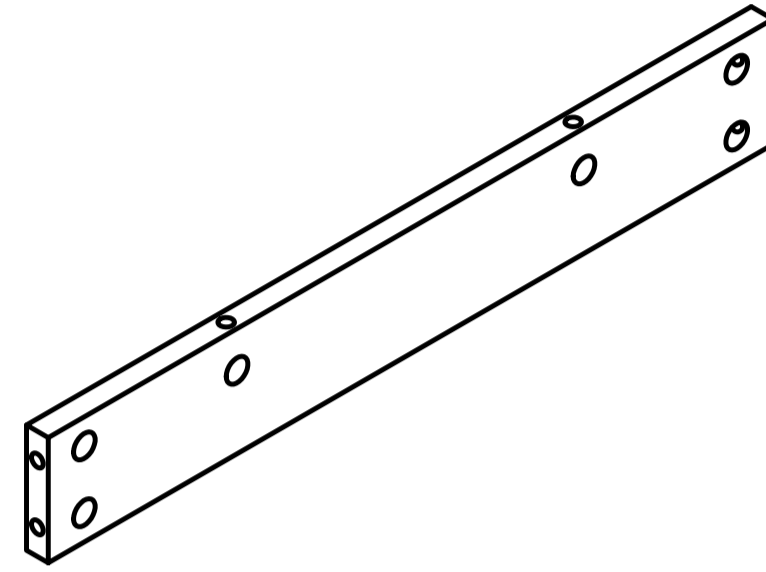
Ex1



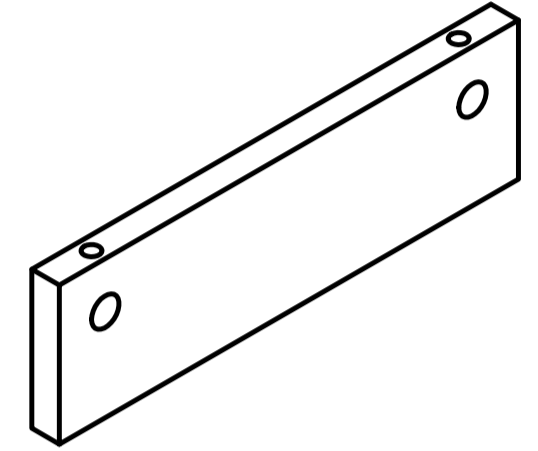
Fx1



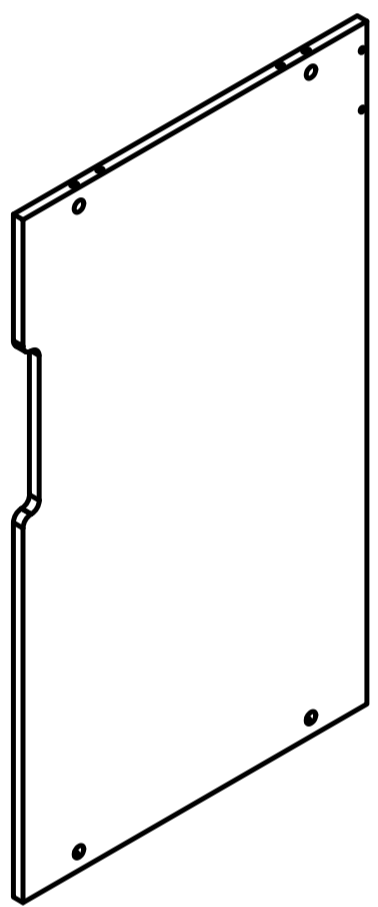
Gx1



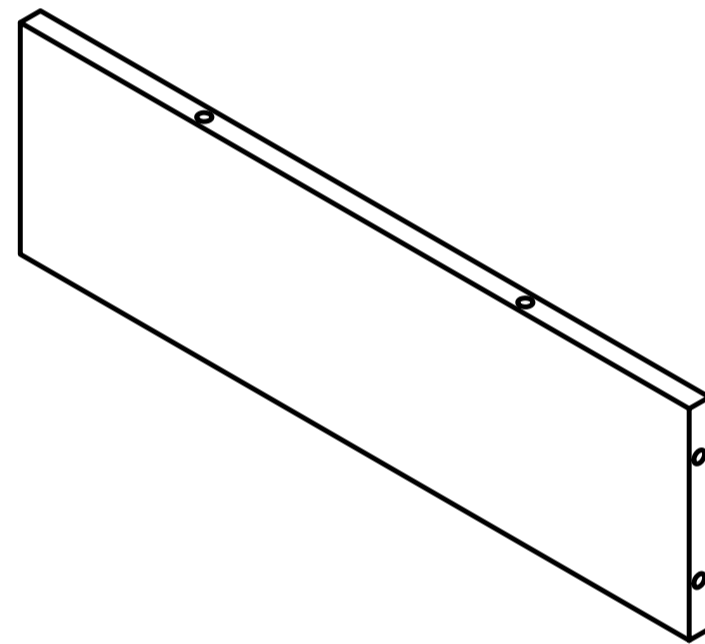
Hx2



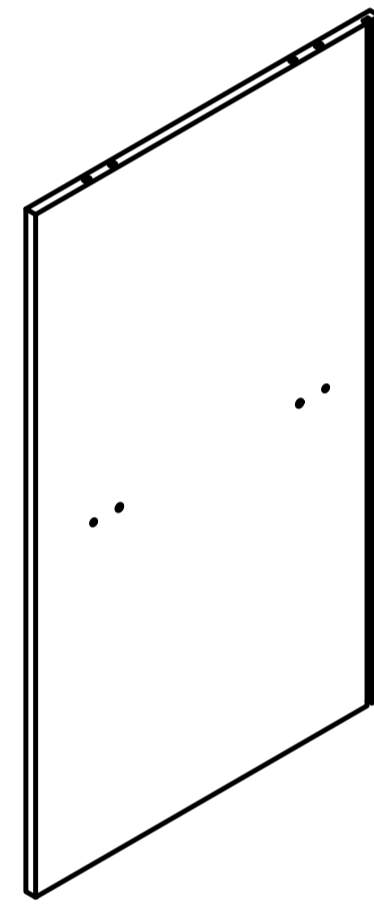
Ix2



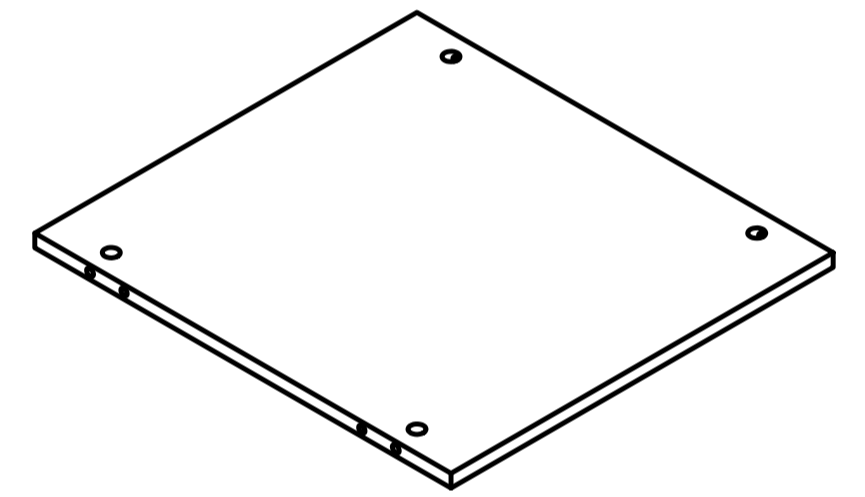
Jx1



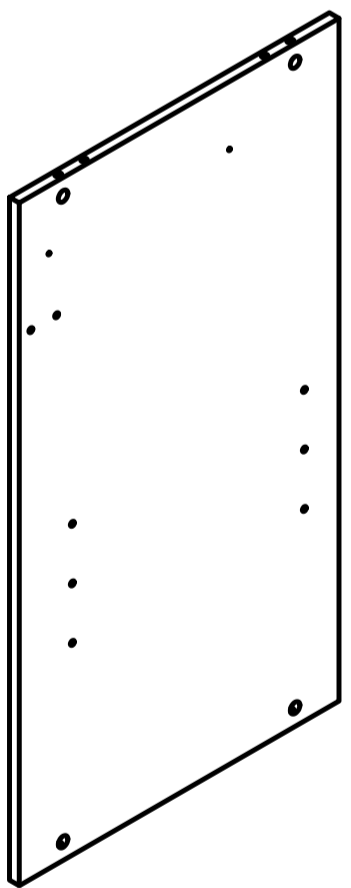
Kx1



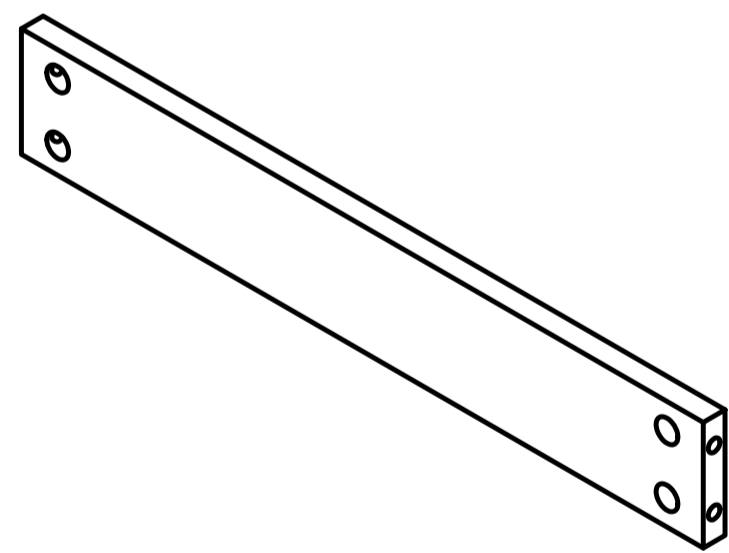
Lx1



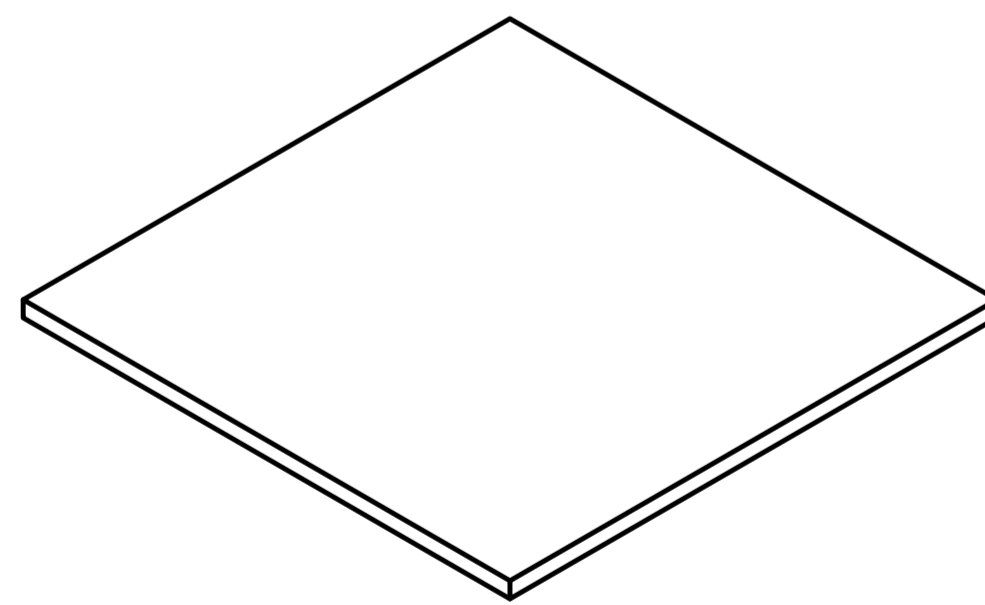
Mx1



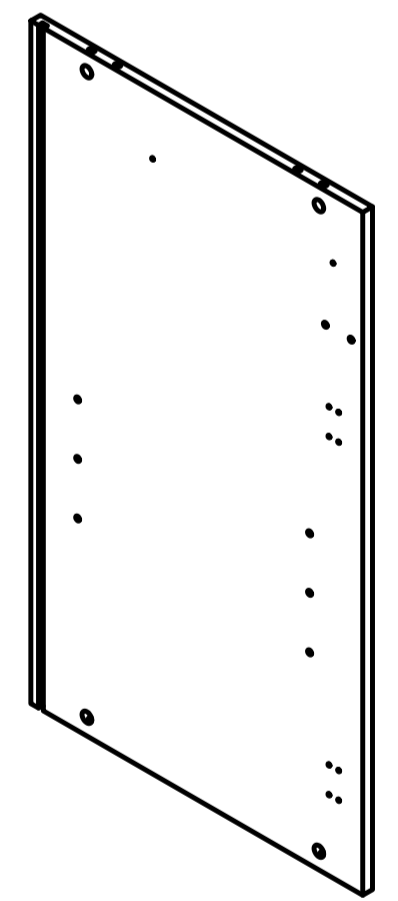
Nx1



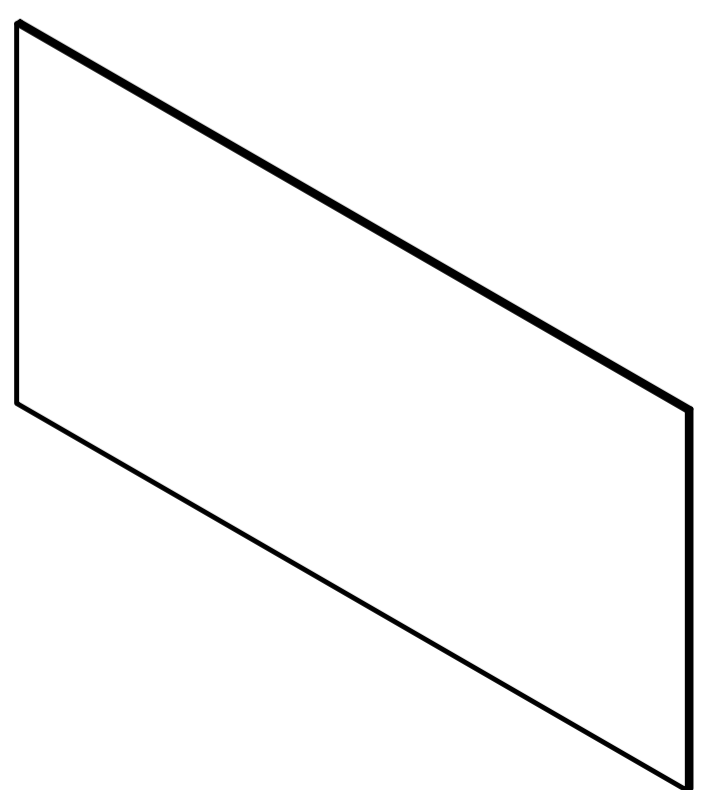
Ox1



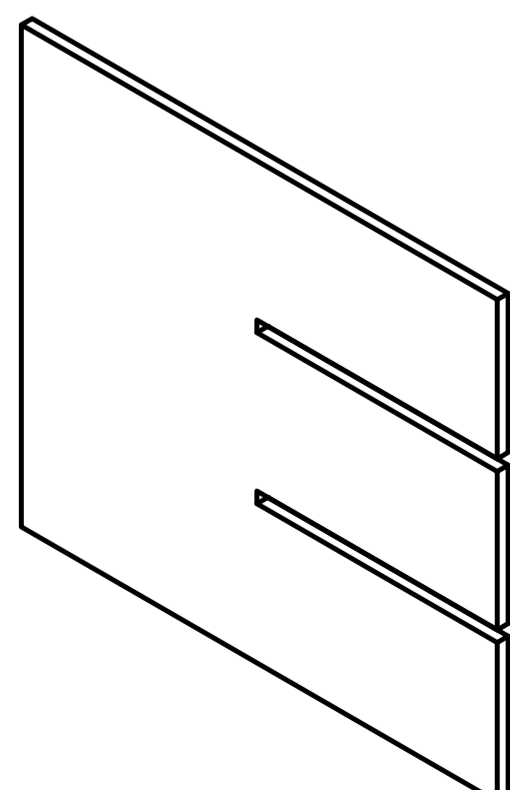
Px1



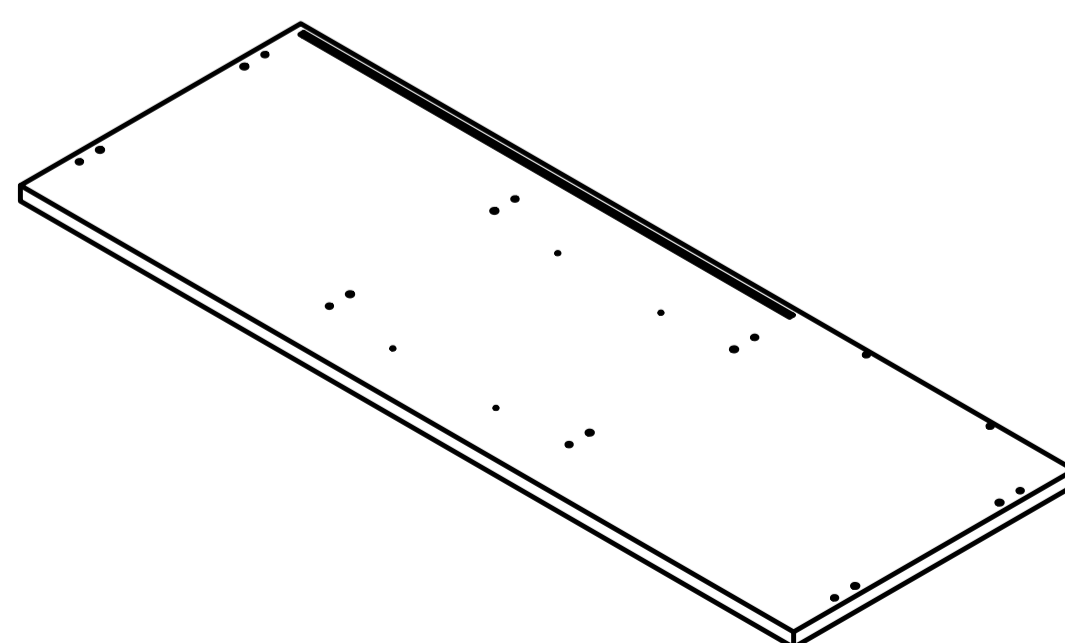
Qx1



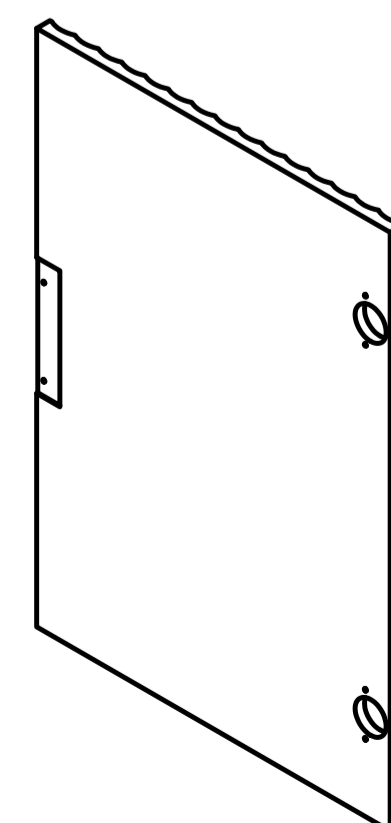
Rx2



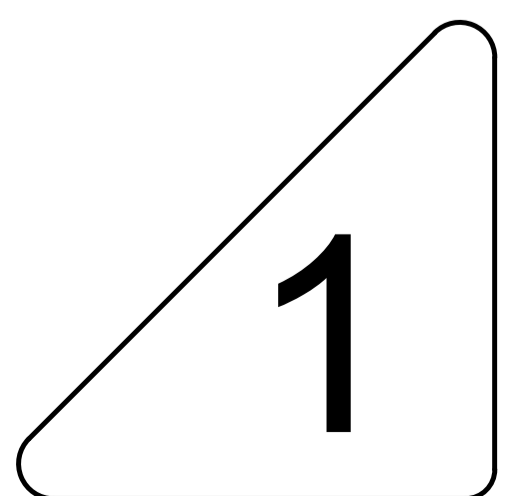
Sx4



Tx1

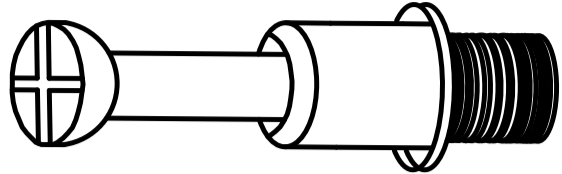
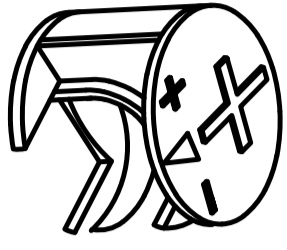

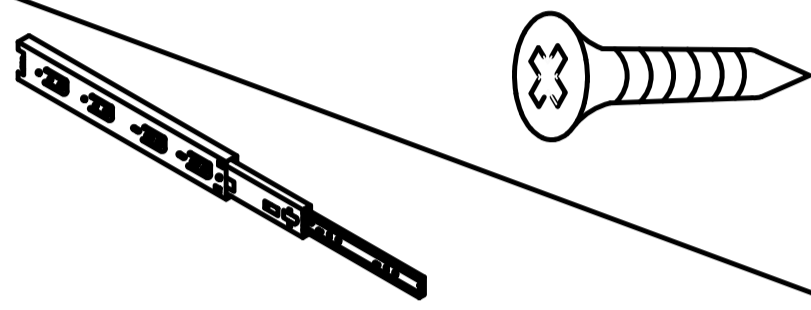
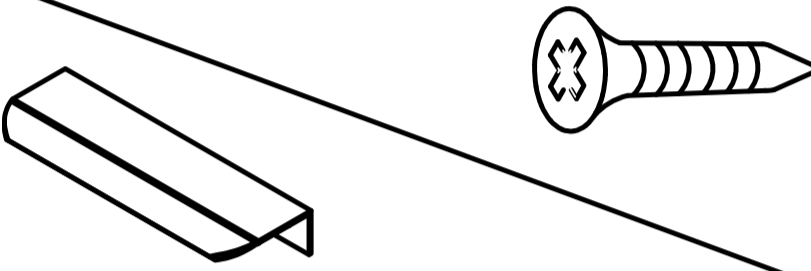

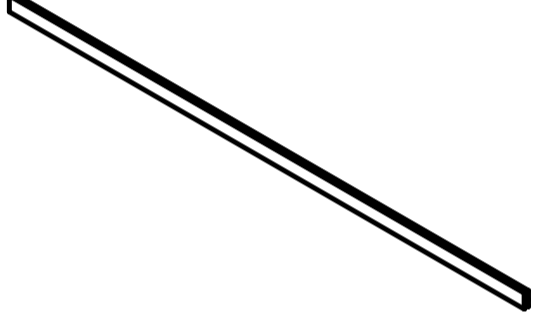
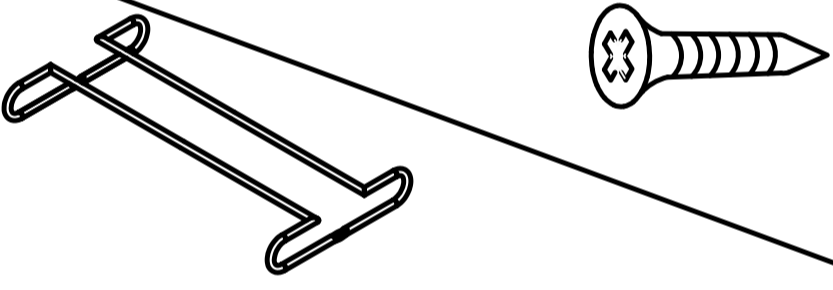
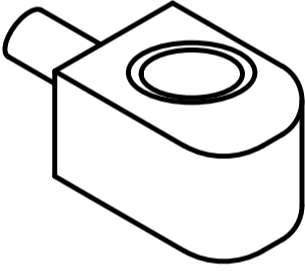
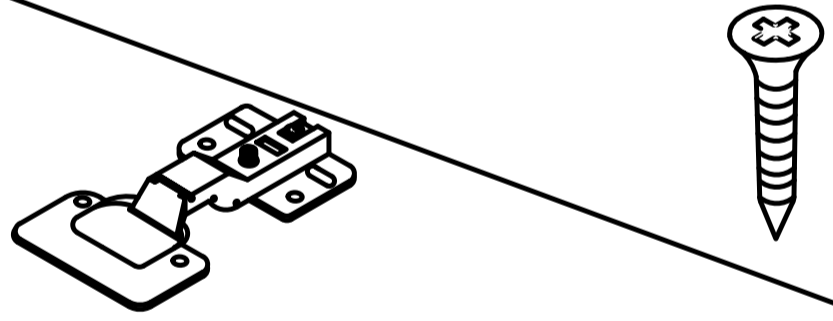
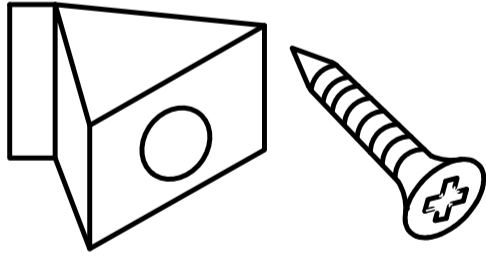


Ux1

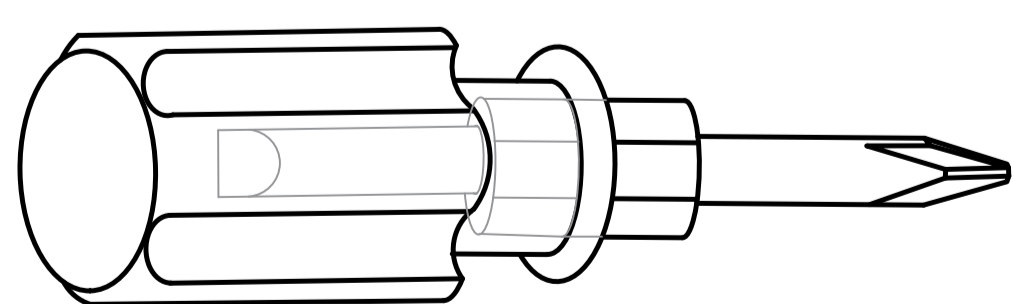


1

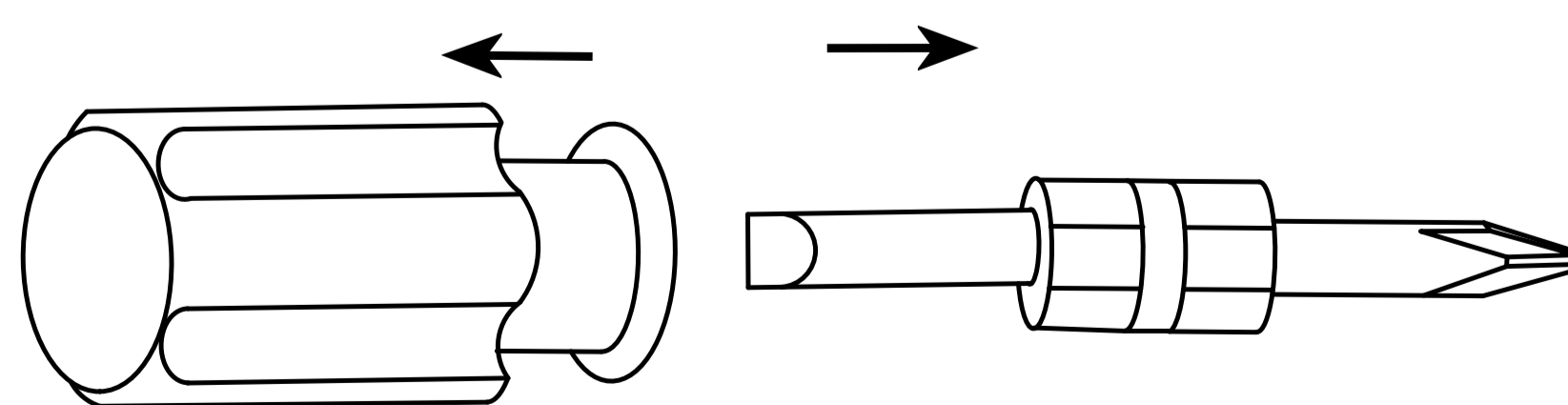
Accessories list

①		Two in one screw (6x28mm)	62pcs +4pcs
②		Two in one nut (10x12mm)	62pcs +4pcs
③		Wood chipping (6x30mm)	20pcs +2pcs
④		Guide & Screw(29cm) (3x12mm)	10pcs +2pcs 2pcs
⑤		Handle & screw (3.5x12mm)	4pcs +1pcs 2pcs
⑥		Non-slip pads	10pcs +2pcs
⑦		Backboard card strip (746mm)	1pcs
⑧		Wine glass rack & Screw (4x16mm)	4pcs +1pcs 2pcs
⑨		Laminate Support Nail	4pcs +1pcs
⑩		Hinge & Screw (3.5x12mm)	12pcs +2pcs 2pcs
⑪		Fixing clip & screw (3x16mm)	12pcs +1pcs

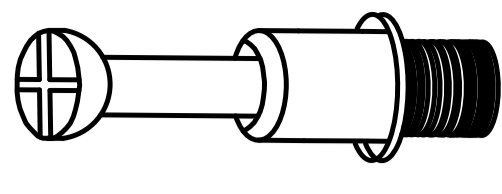
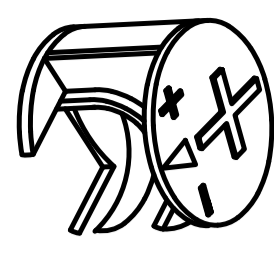
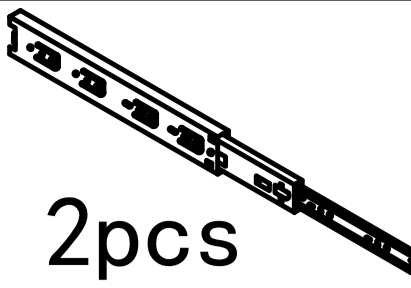
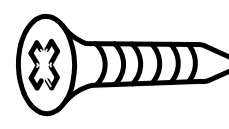
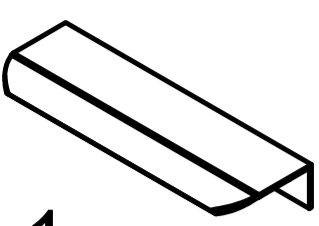
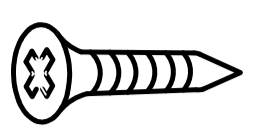
Double-head screwdriver, use as required

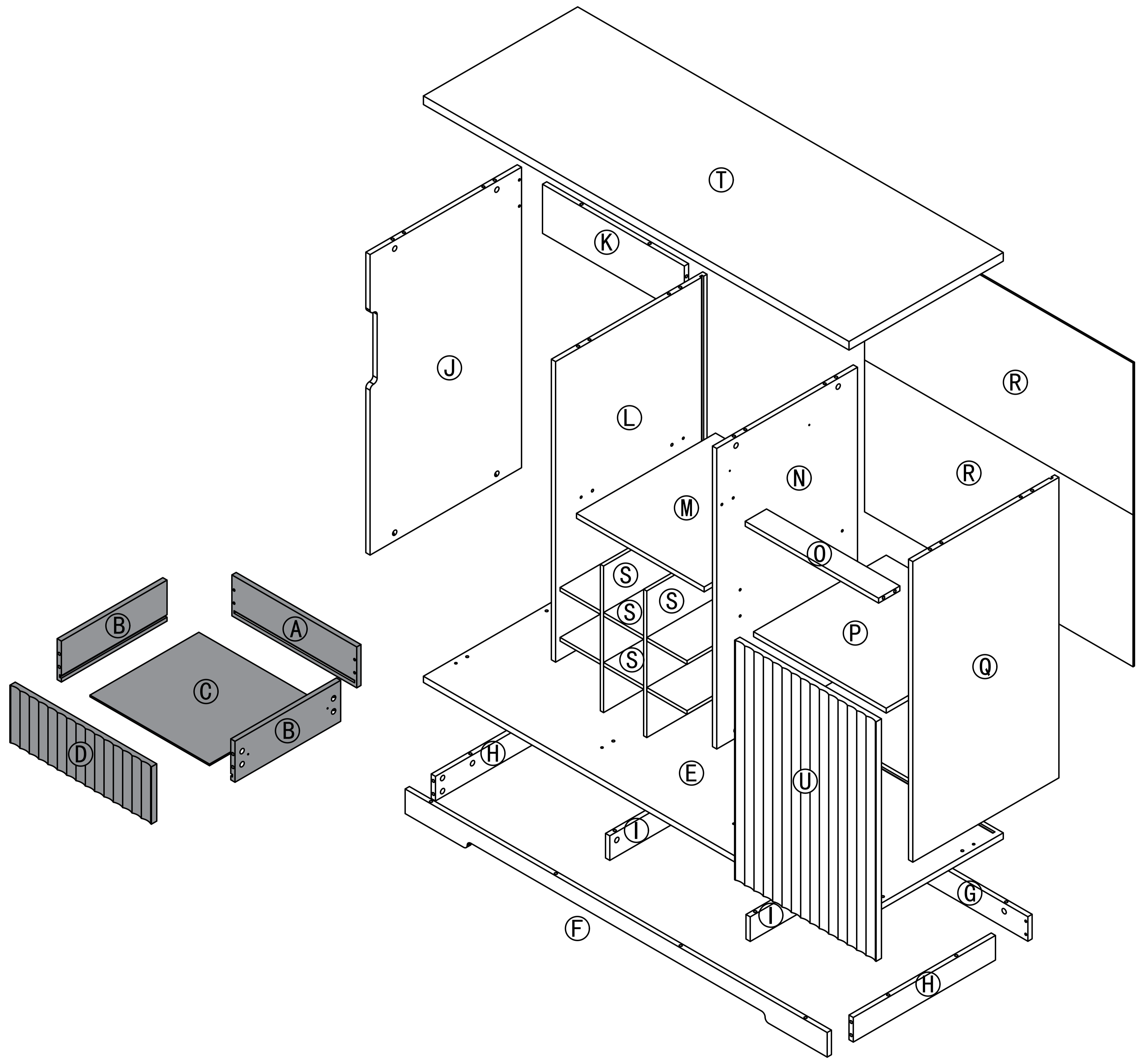


1pcs



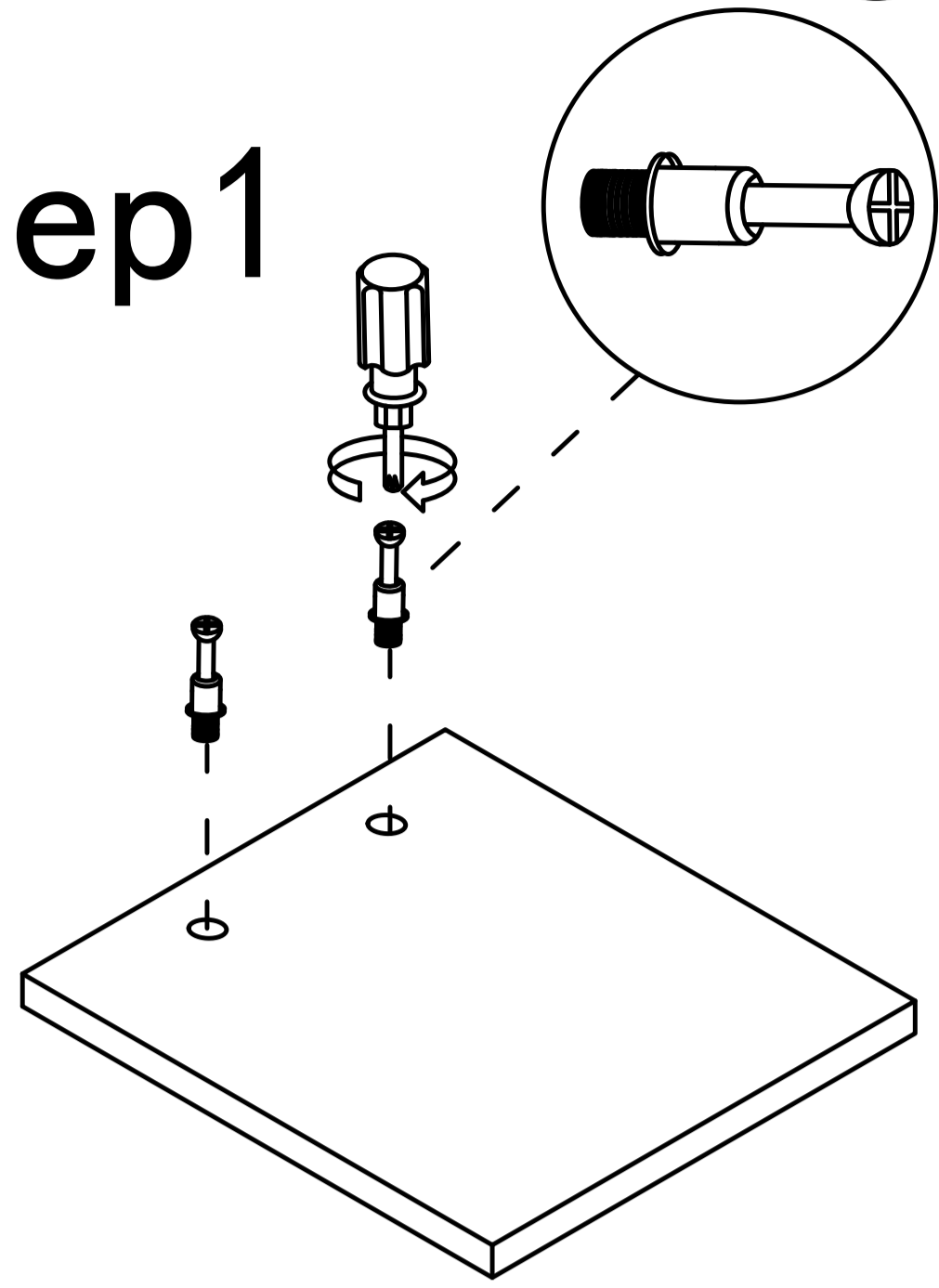
2

1		8pcs	2		8pcs	4		 4pcs	
5	 1pcs	 2pcs							

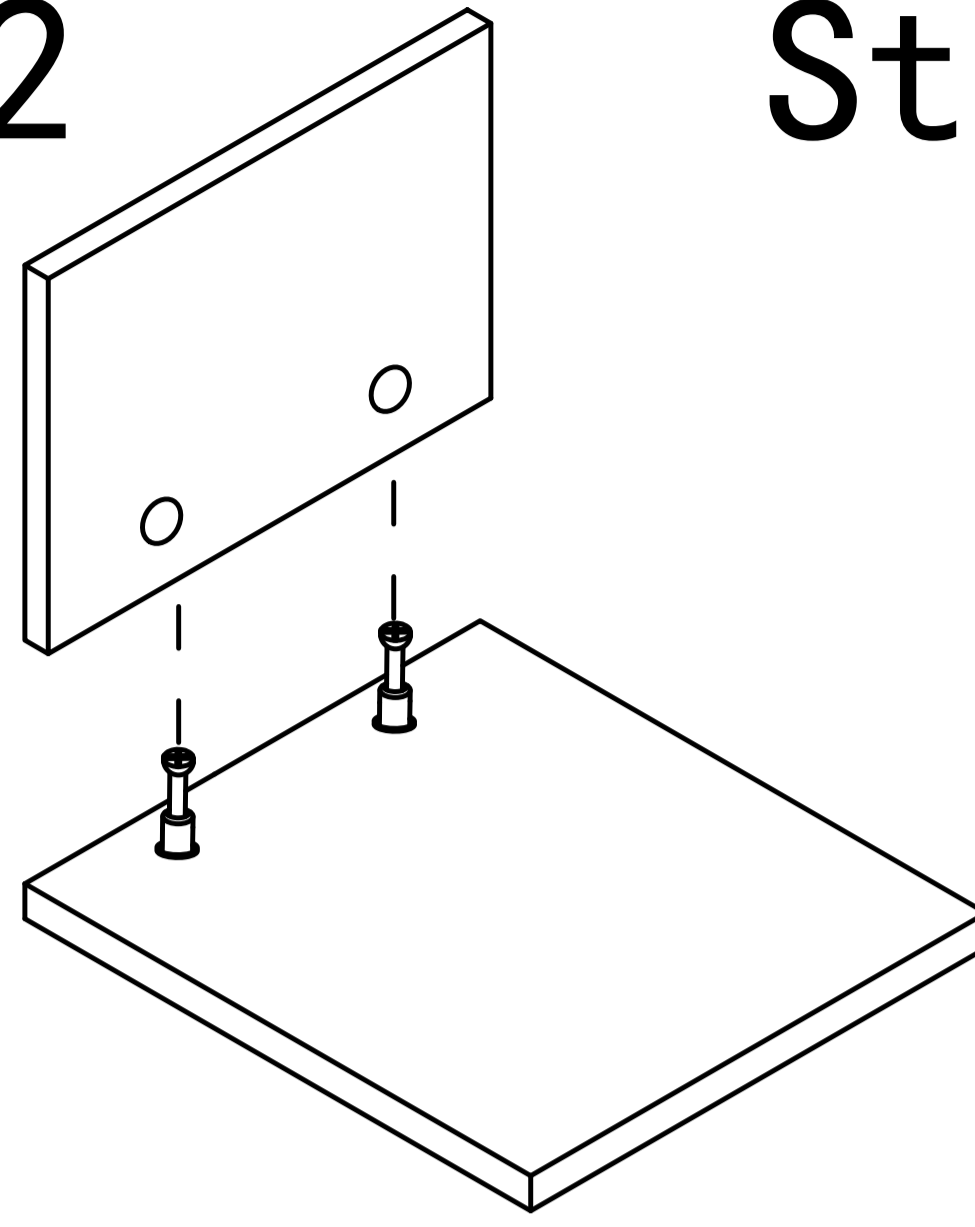


Use parts ① and ②

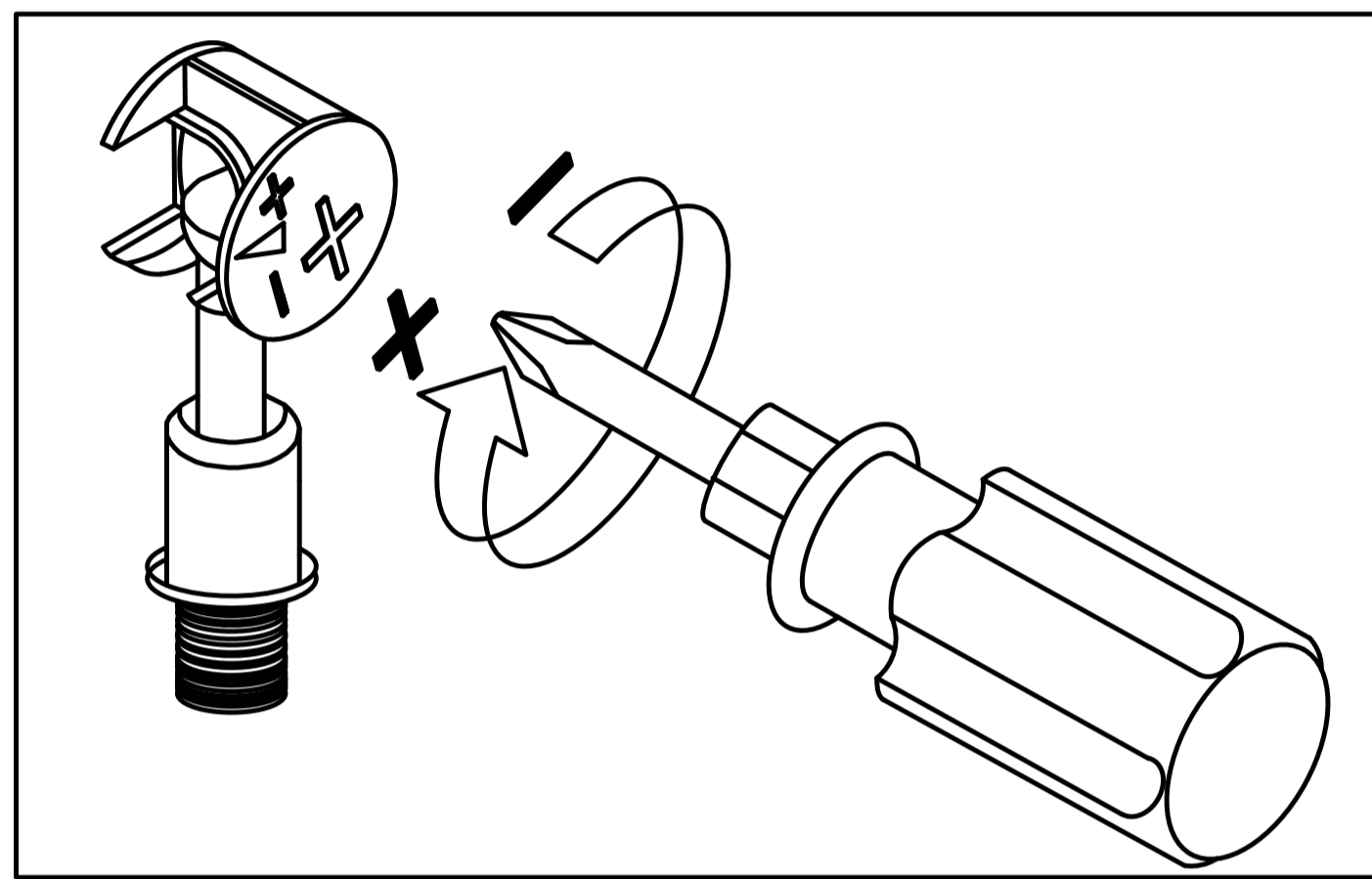
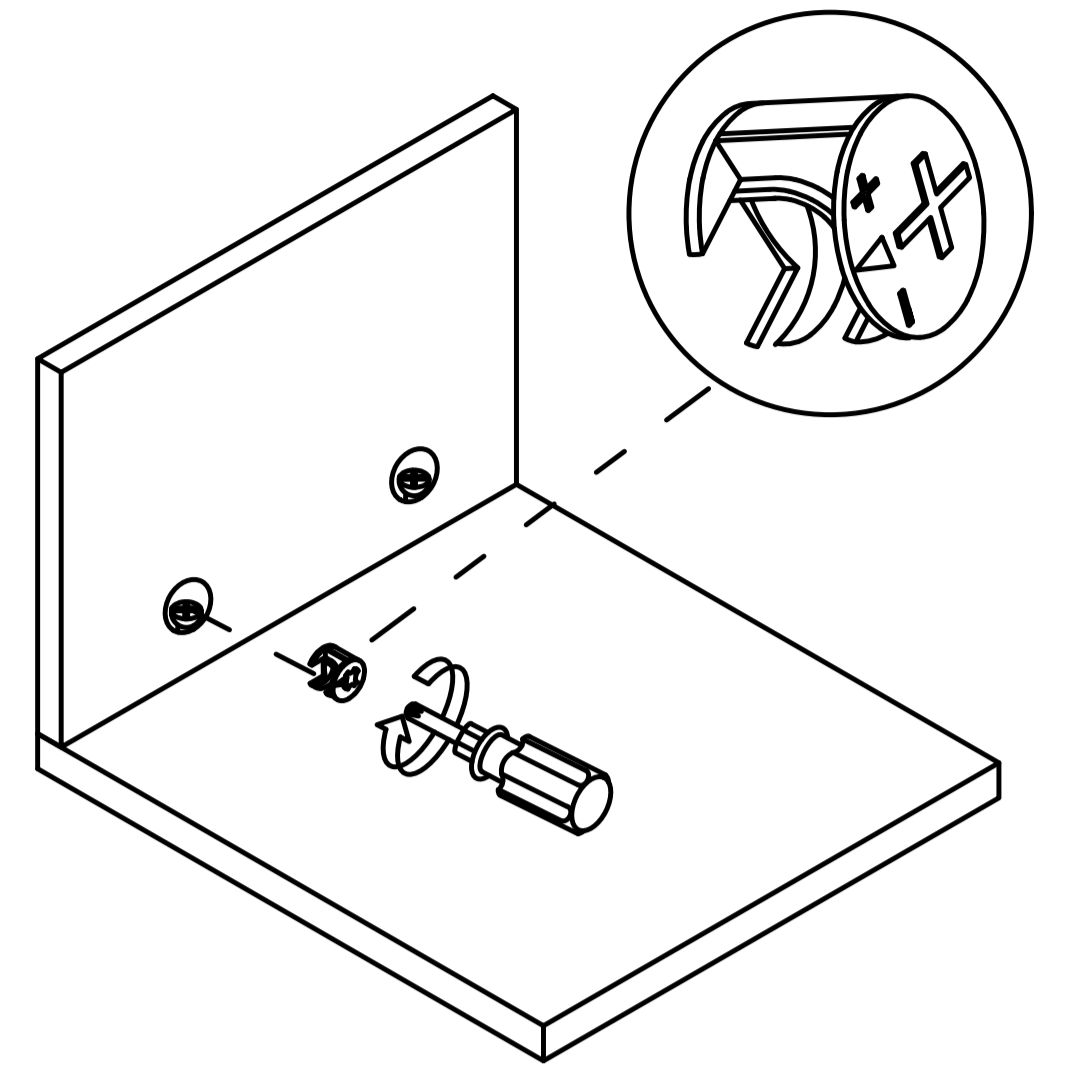
Step 1



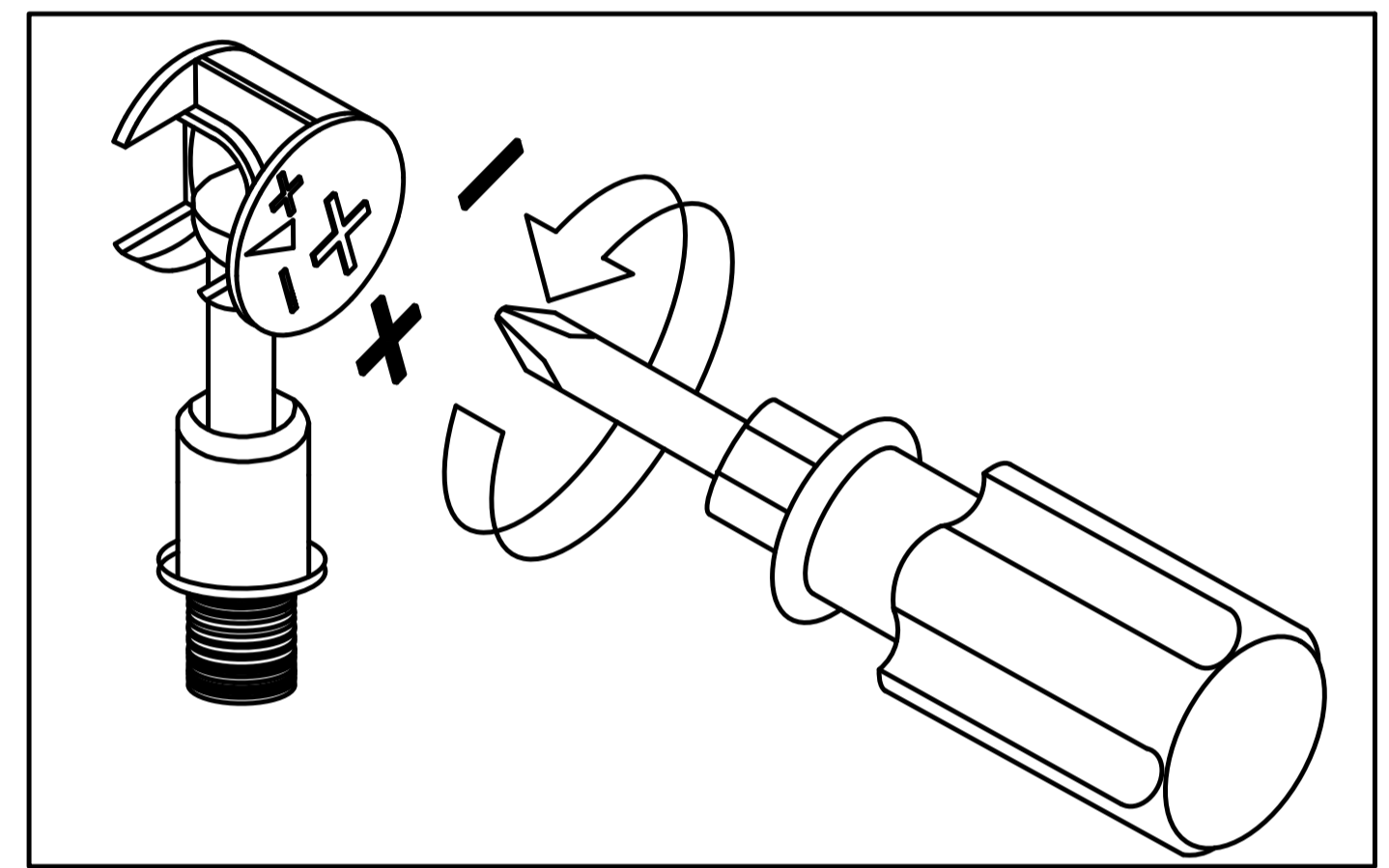
Step 2



Step 3

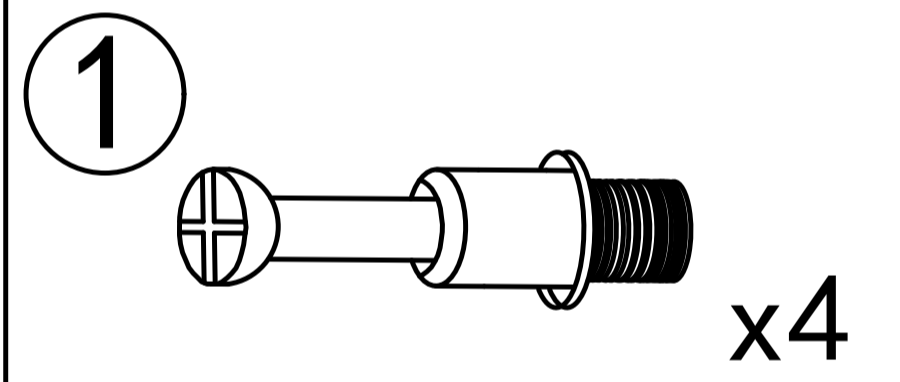
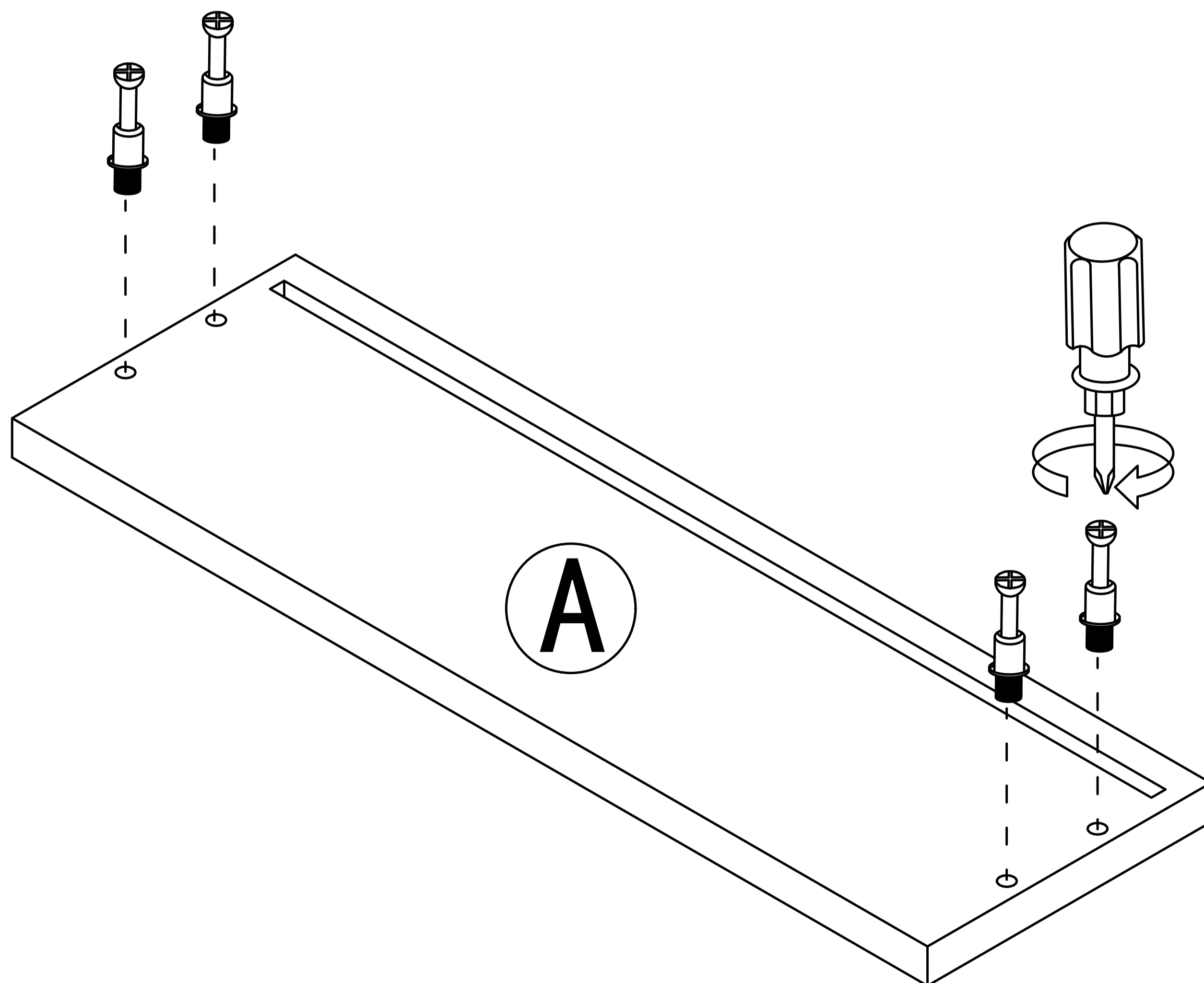


Use a screwdriver to lock in the direction of the "+" sign

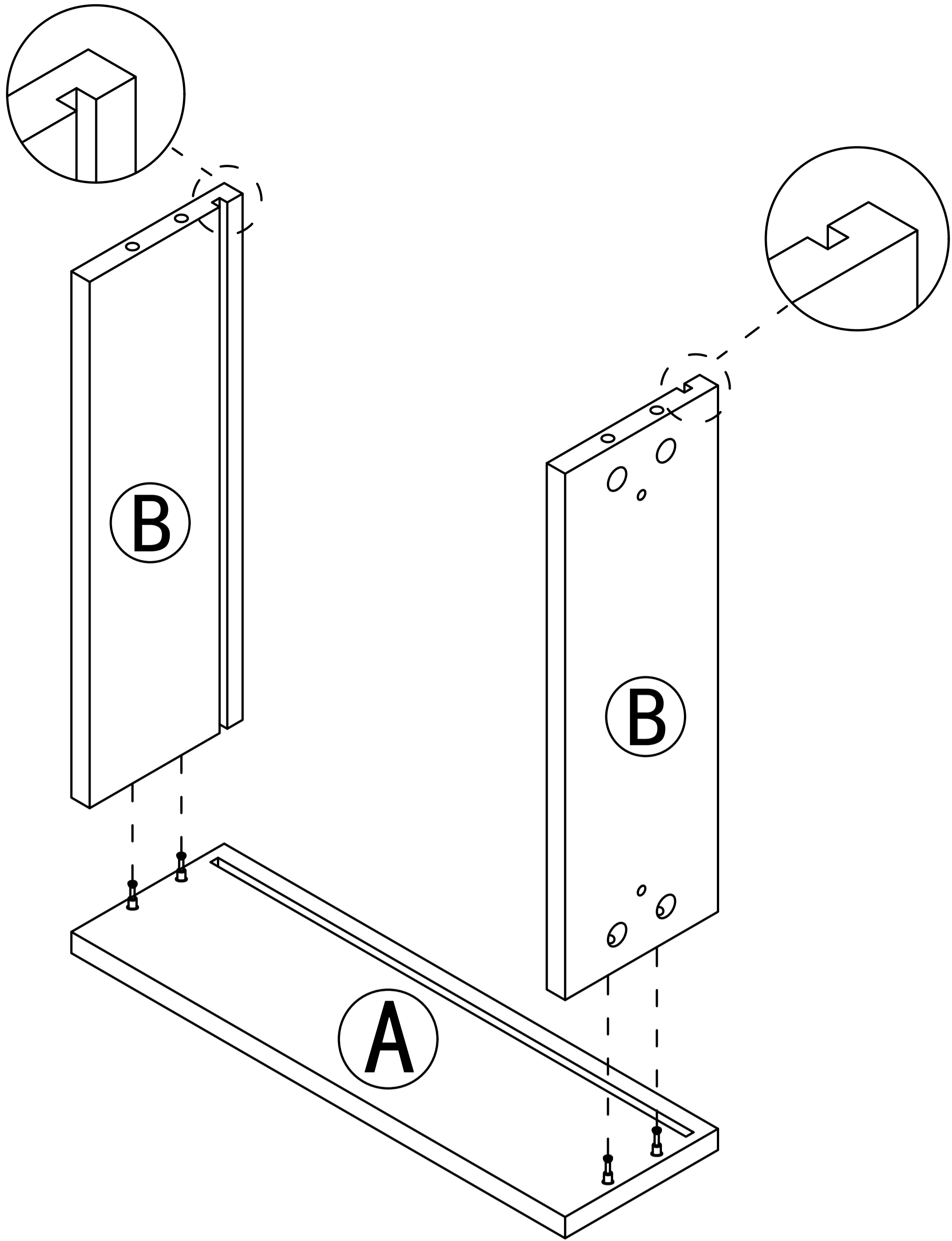


Disassemble along the direction of "-" sign

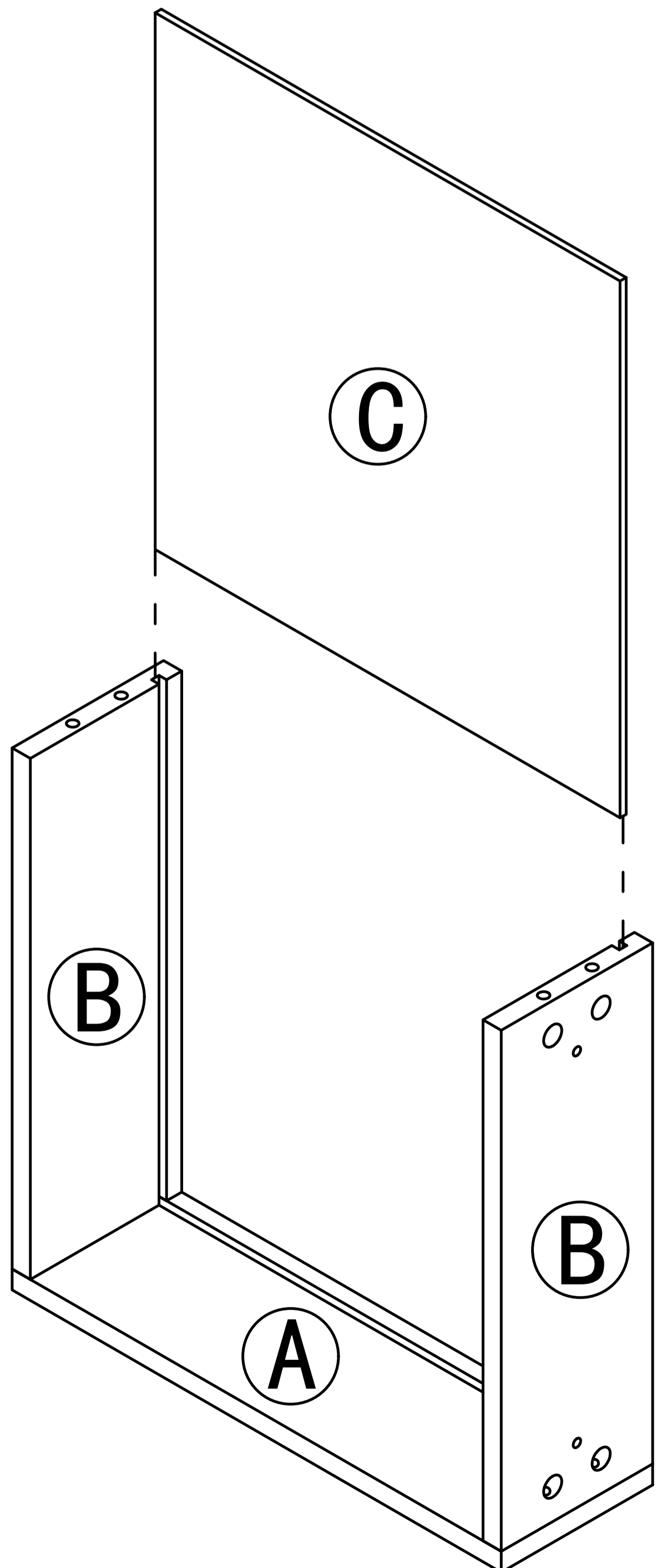
Step 1



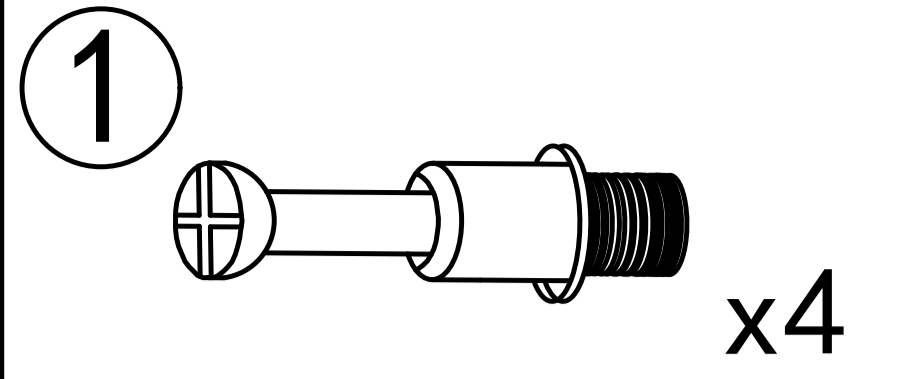
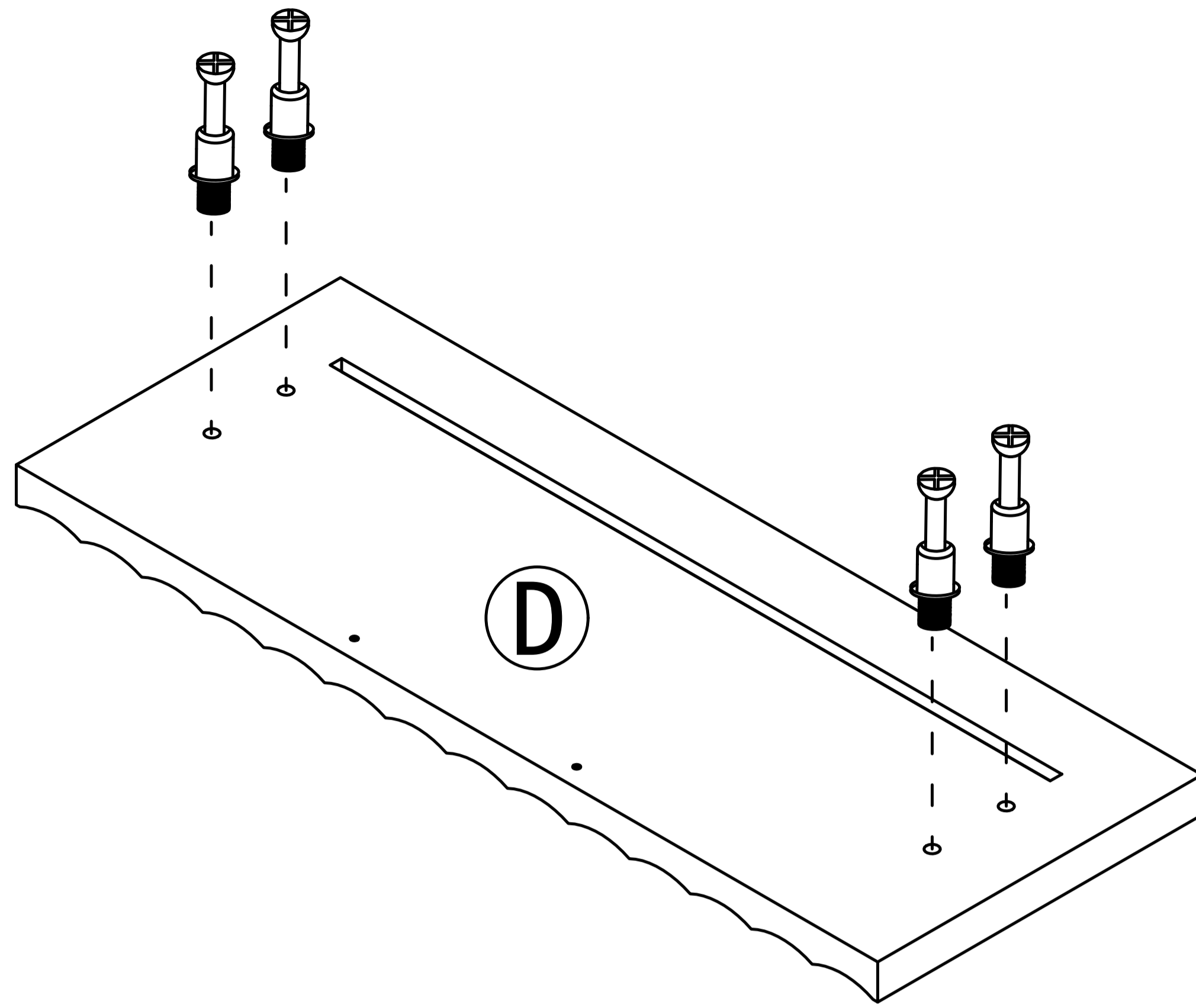
Step 2



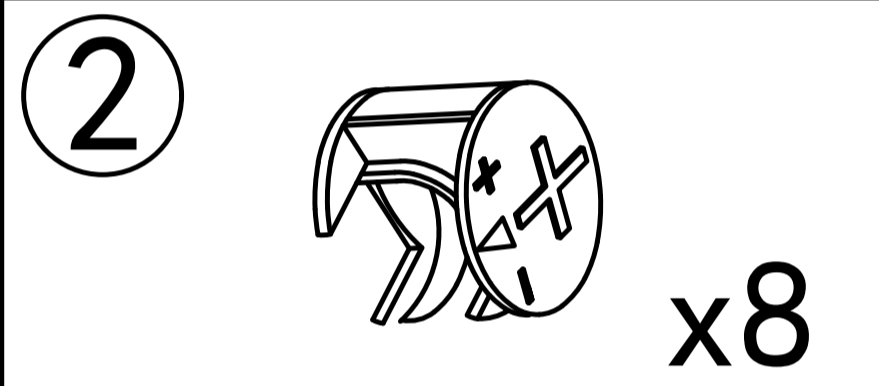
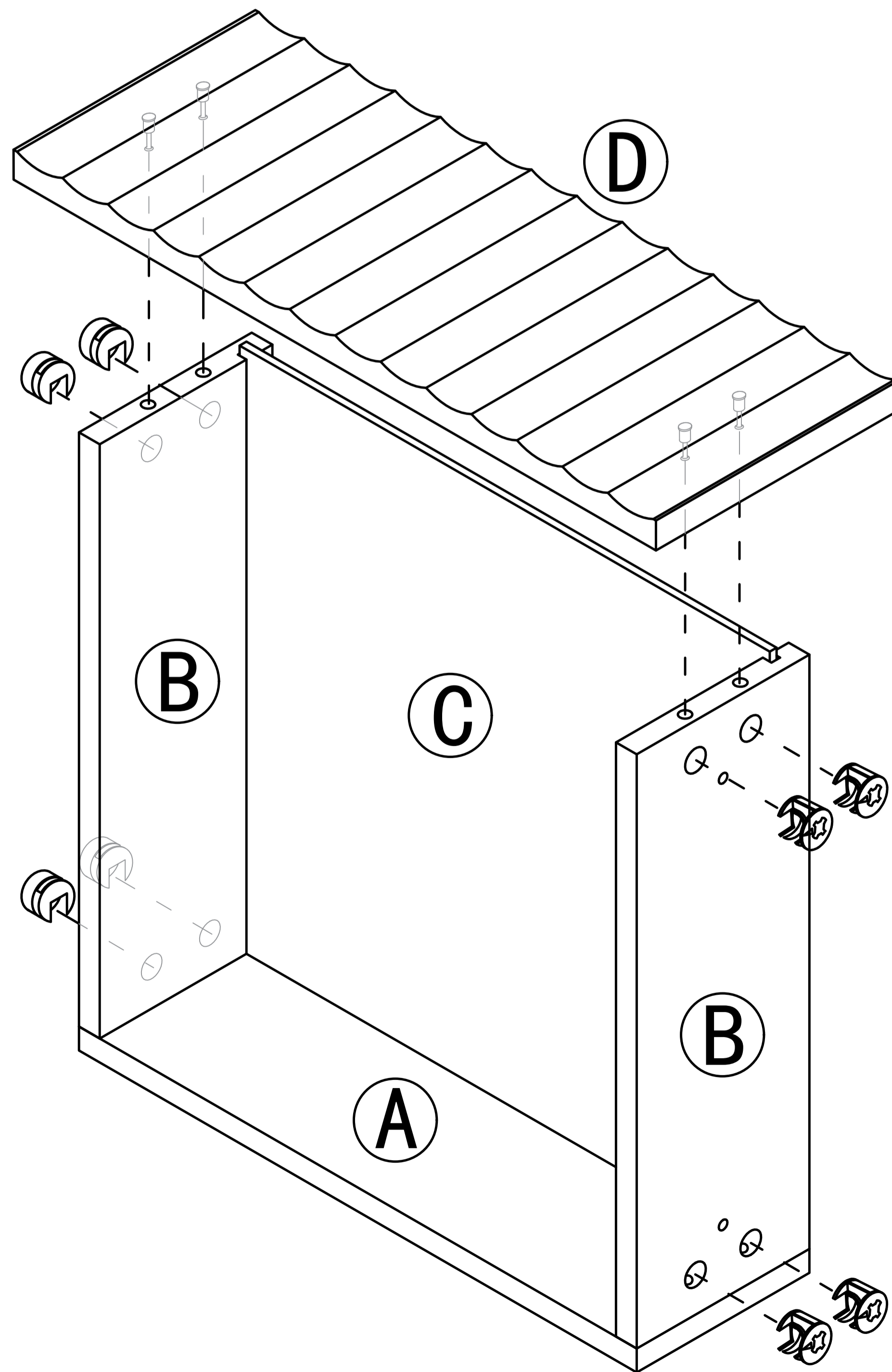
Step 3



Step 4

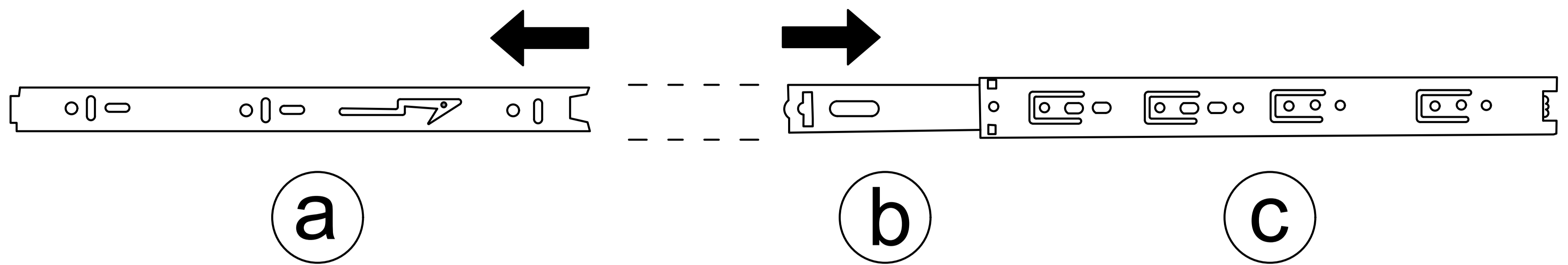


Step 5



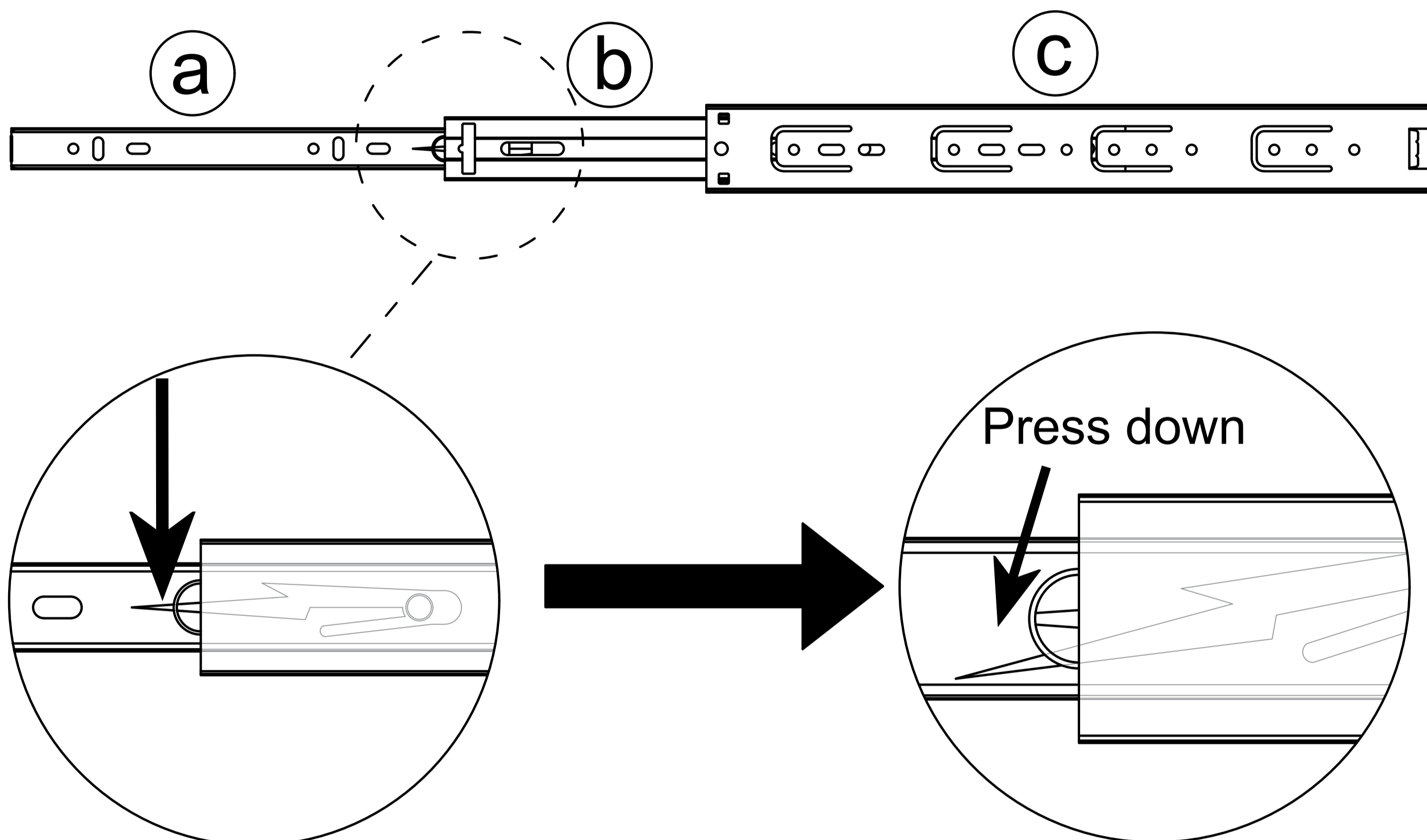
Use parts ④

Drawer rail breakdown diagram



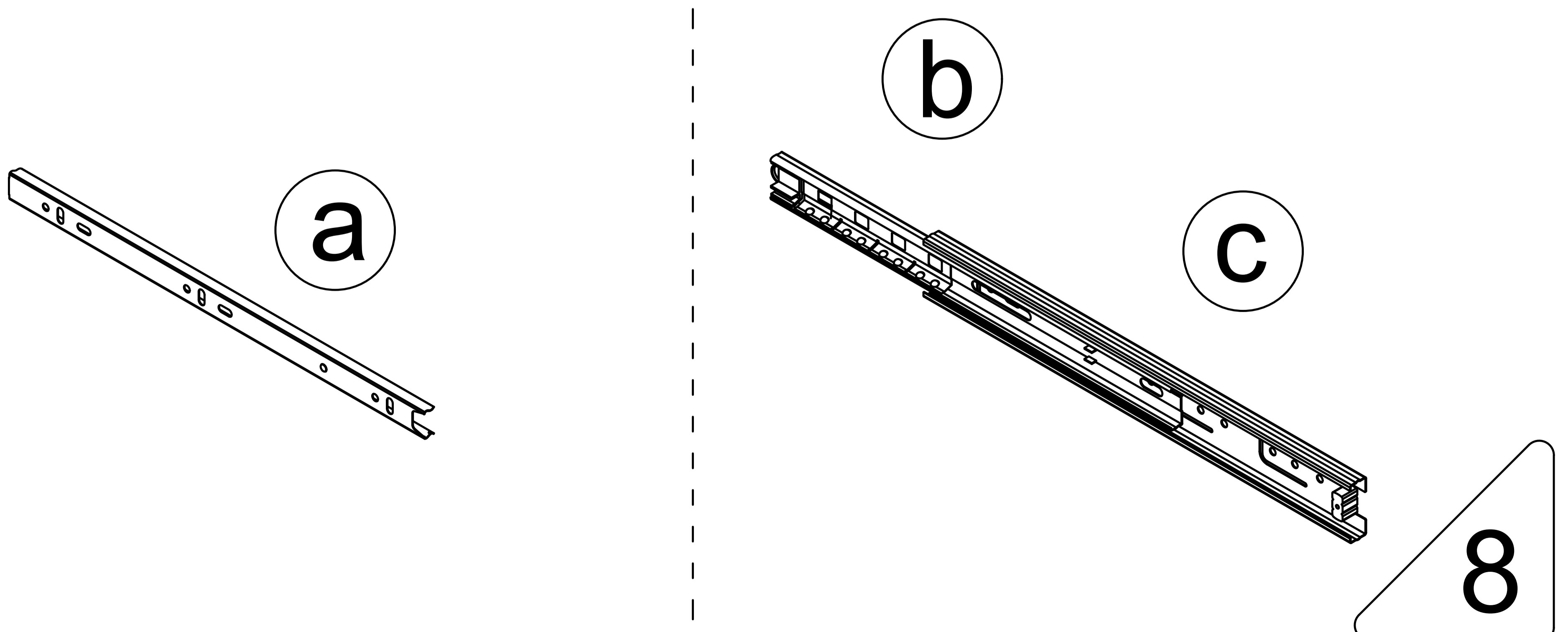
① Dismantle the schematic diagram

Step 1 : Pull the rails apart

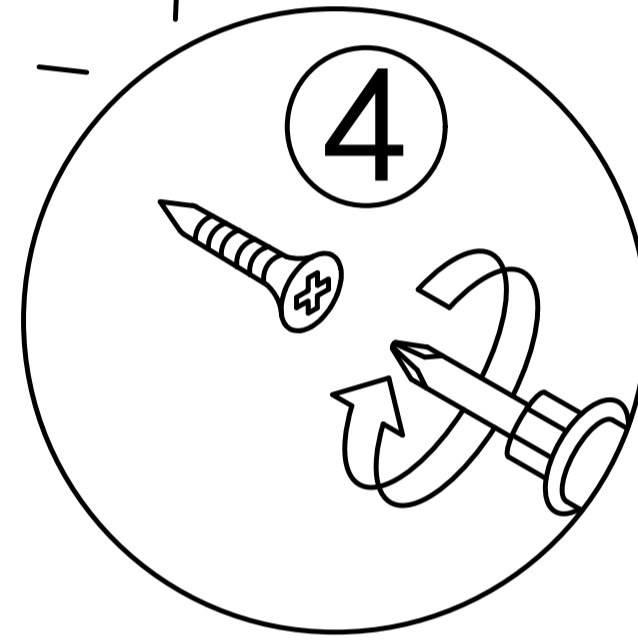
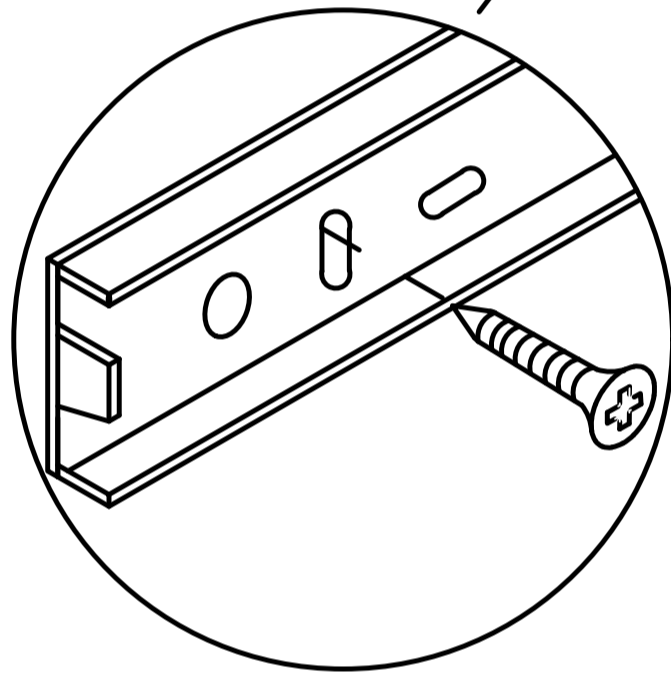
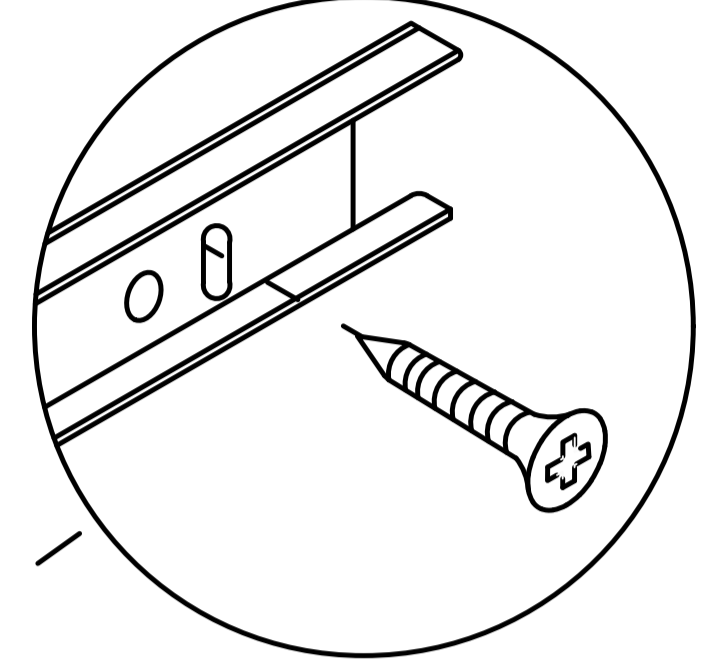
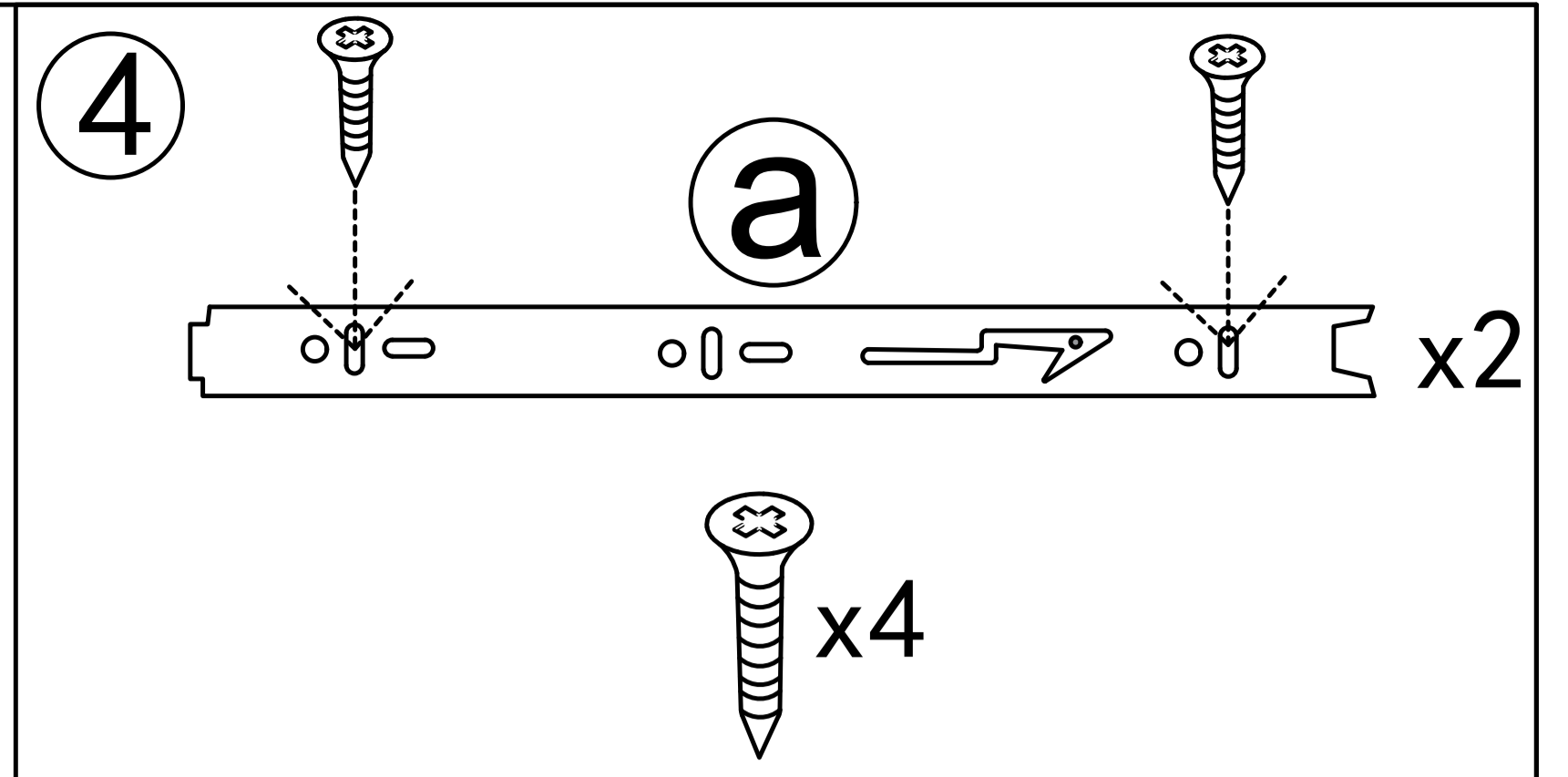
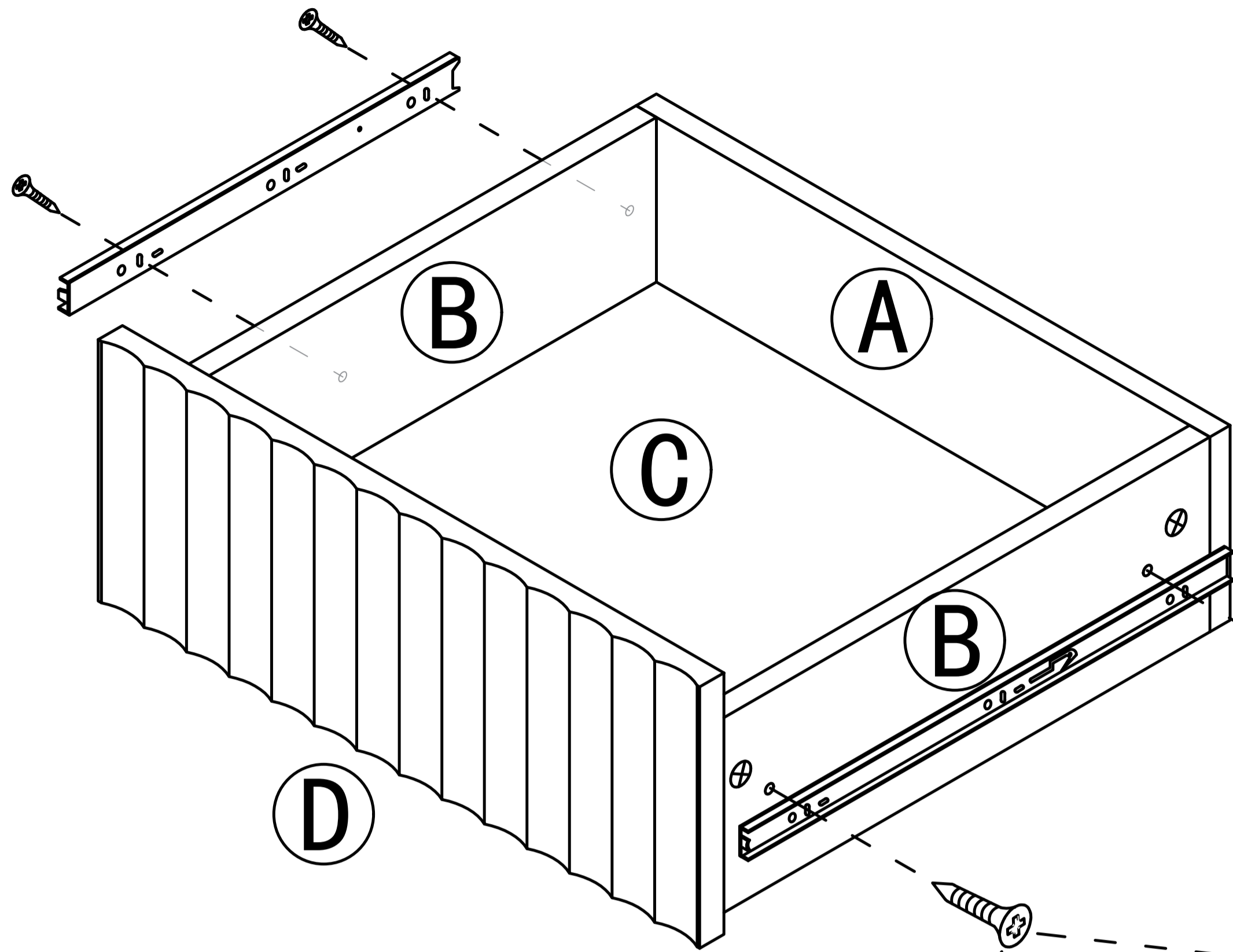


Step 2 : Press the nylon button and pull out ①.

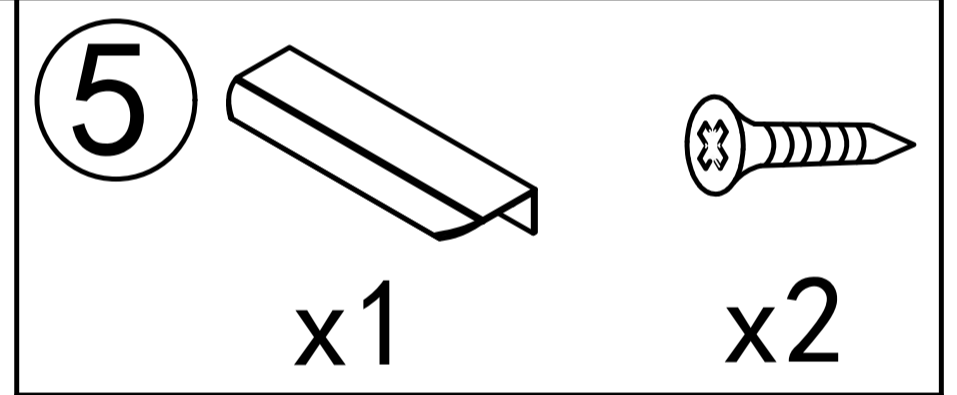
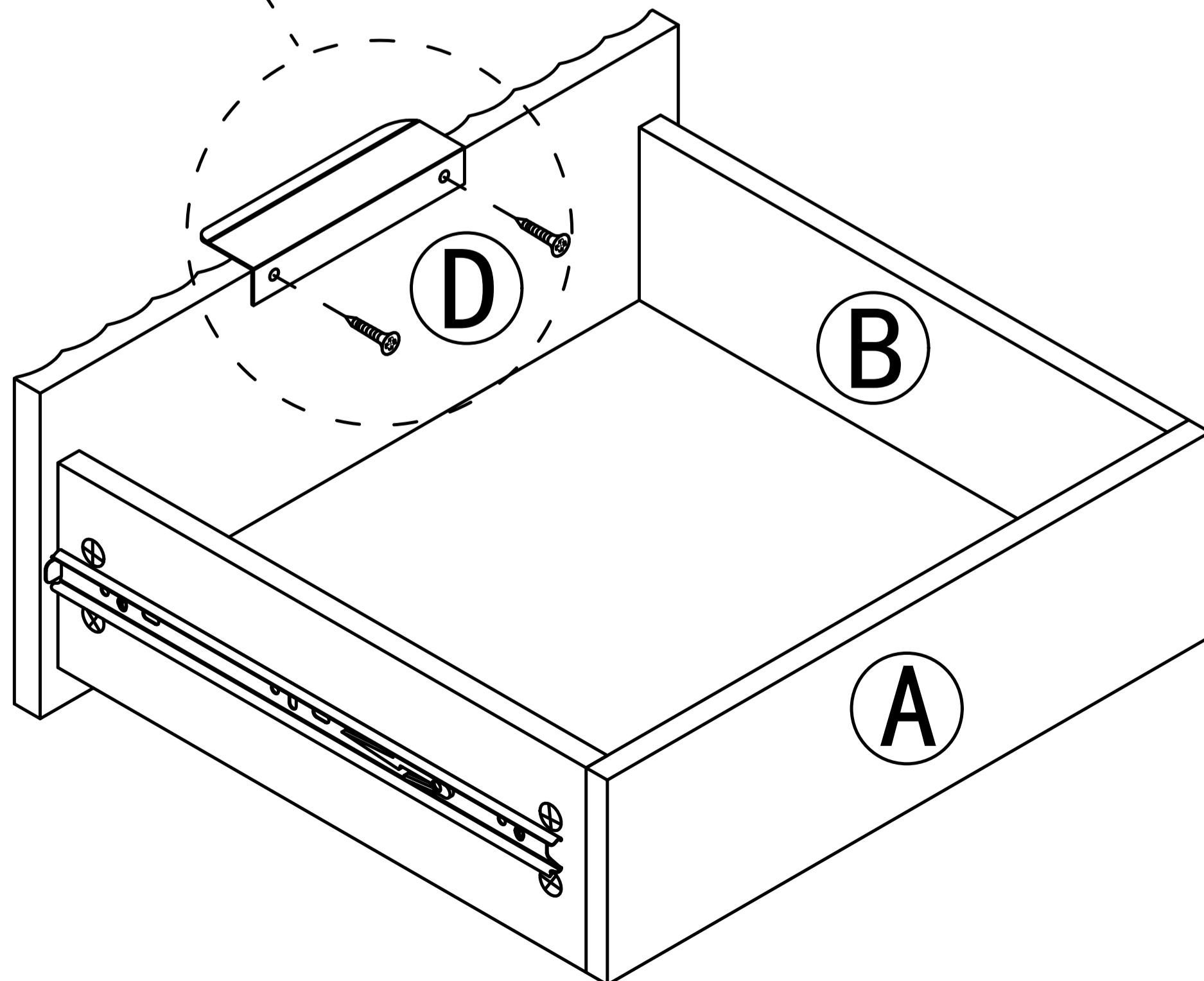
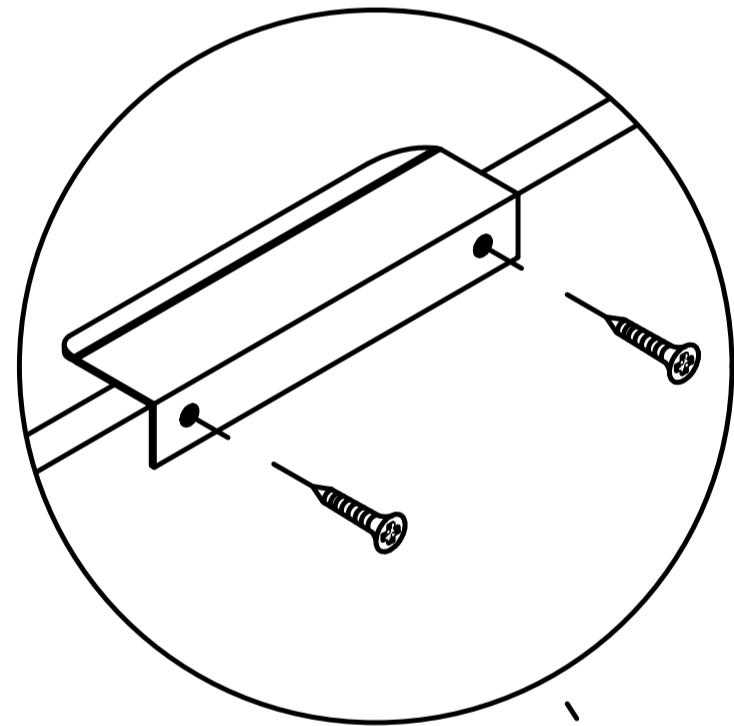
Drawer rail decomposition completed schematic diagram

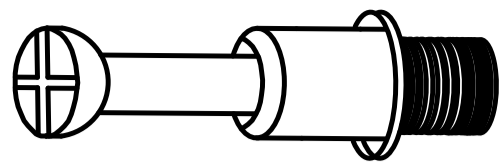
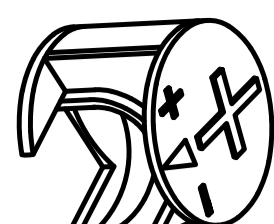

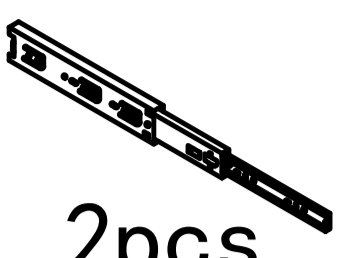
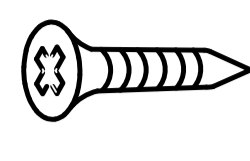
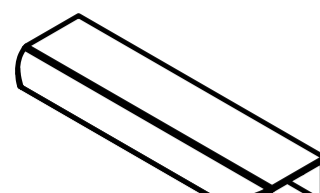
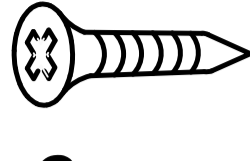

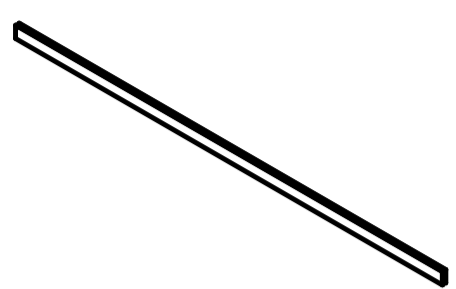
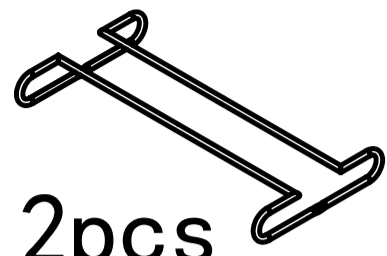
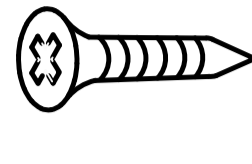
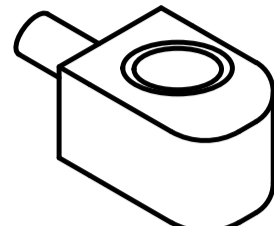
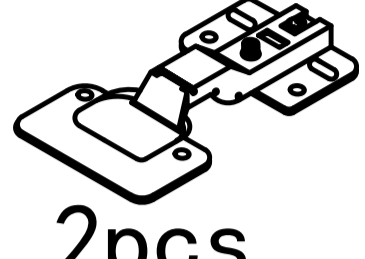
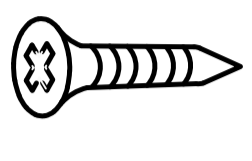
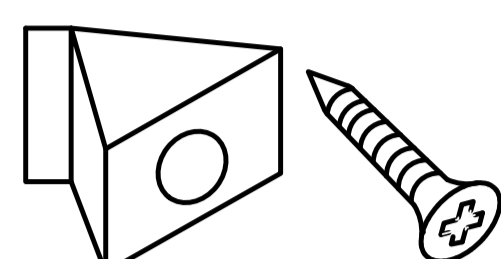


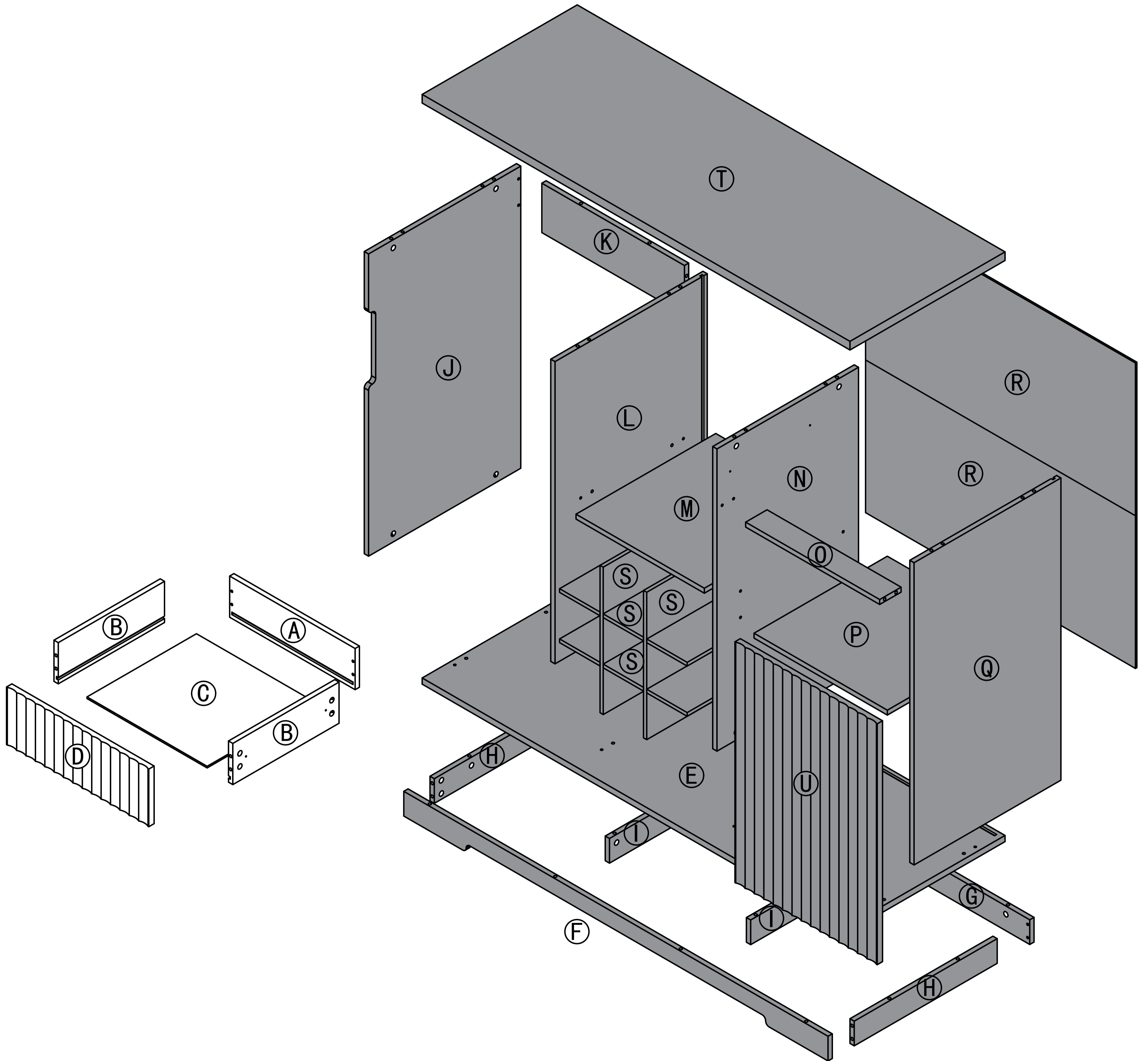
Step 6



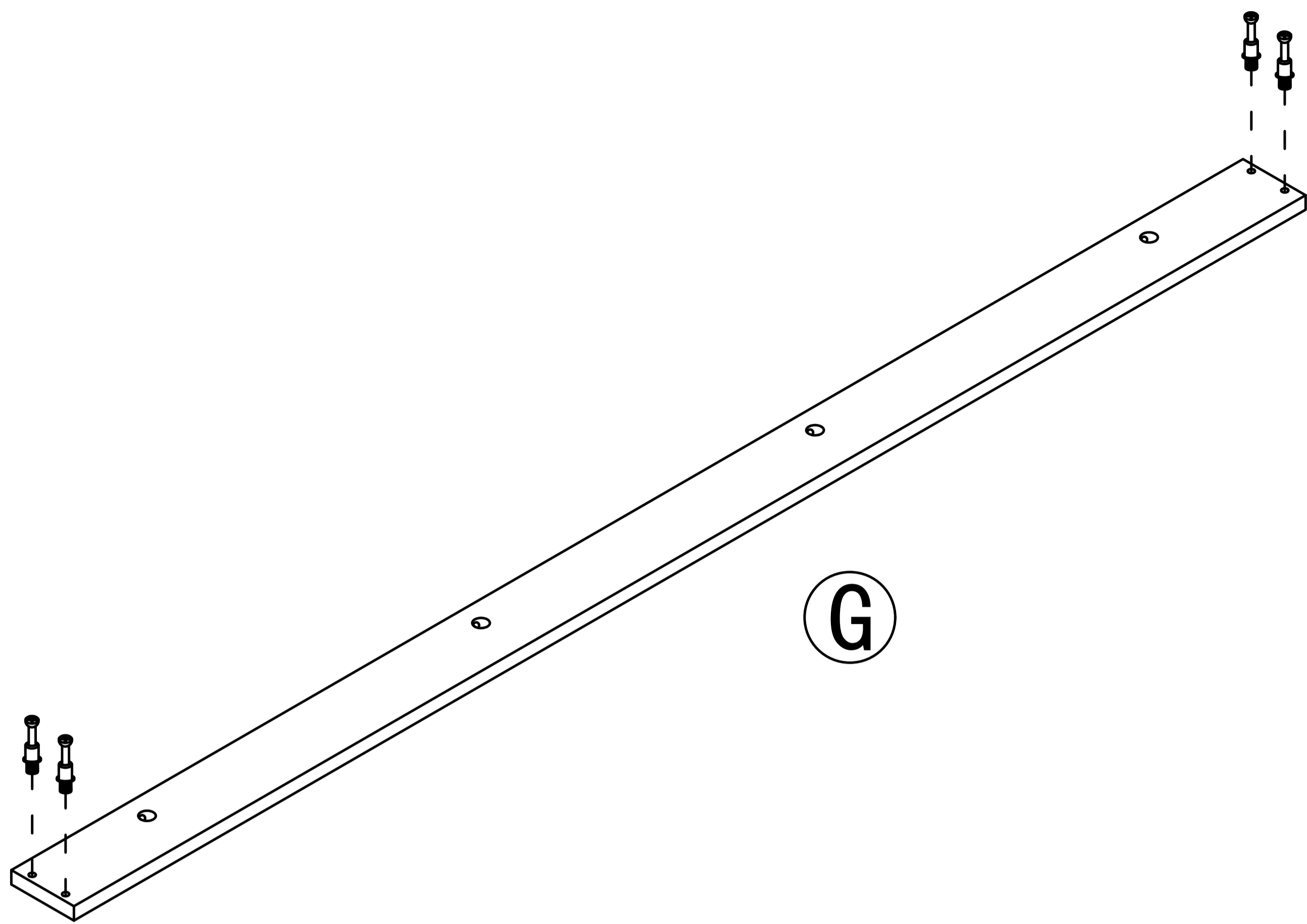
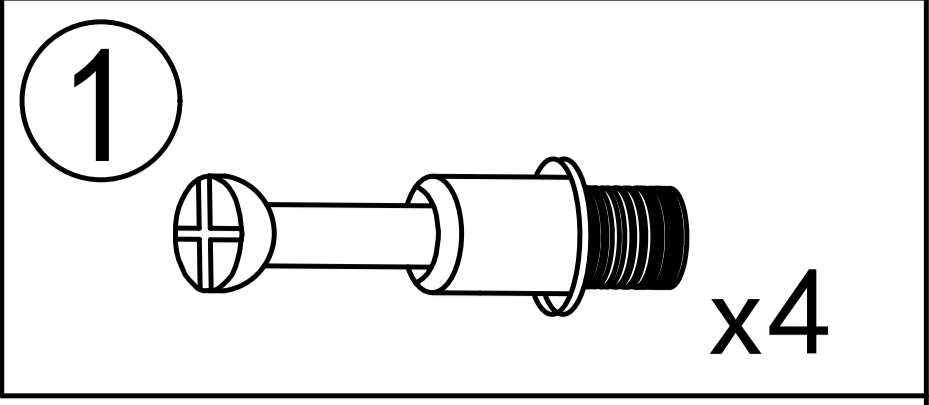
Step 7



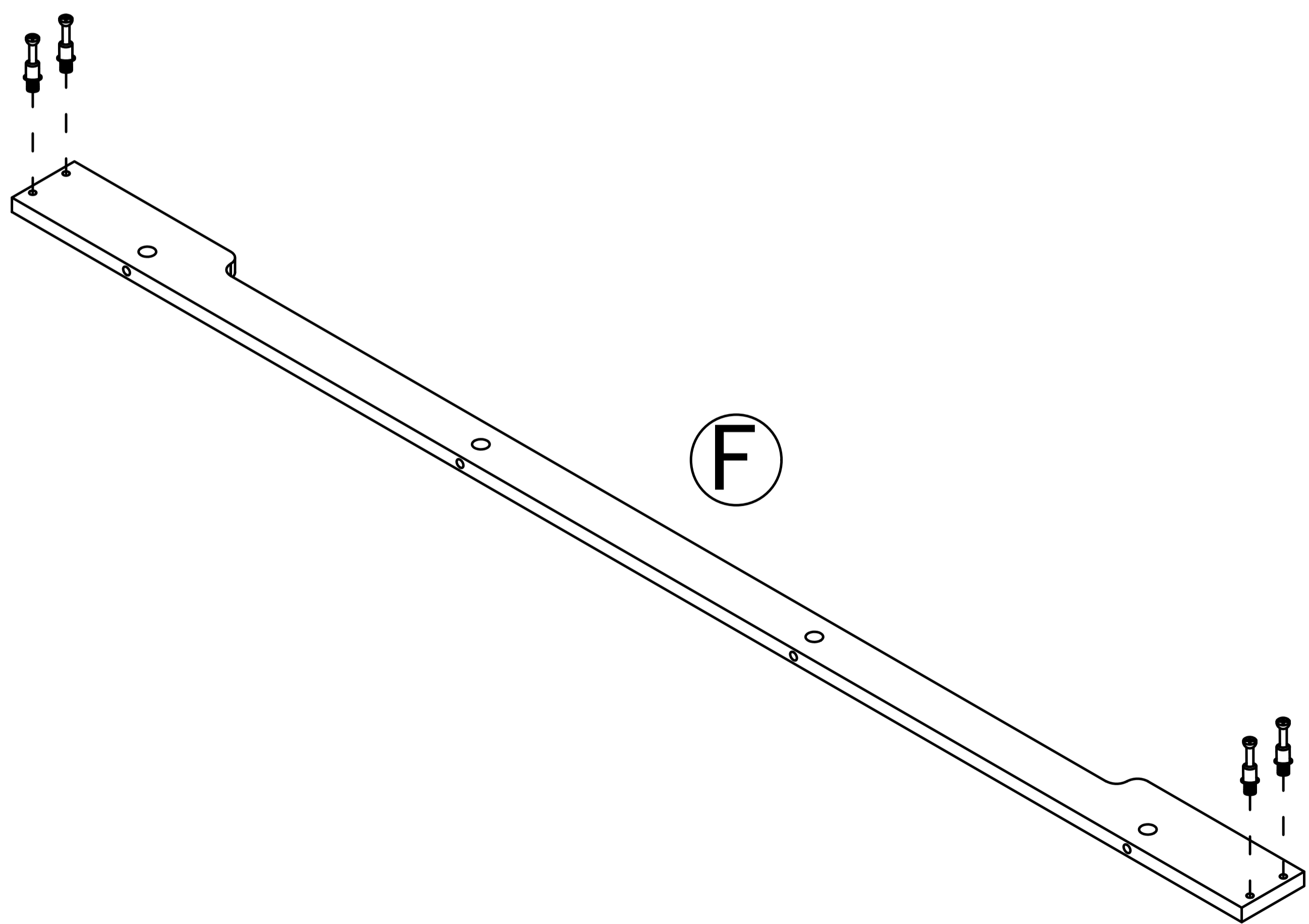
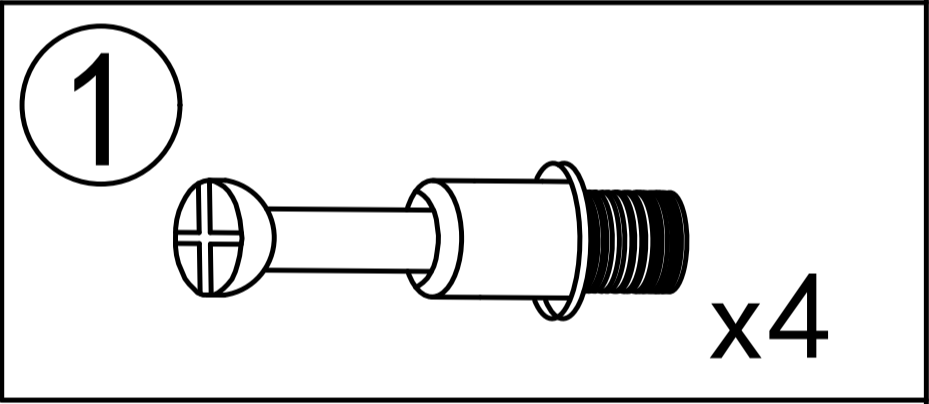
①		54pcs	②		54pcs	③		20pcs
④	 2pcs	 6pcs	⑤	 1pcs	 2pcs	⑥		10pcs
⑦	 1pcs	⑧	 2pcs	 4pcs	⑨		4pcs	
⑩	 2pcs	 12pcs	⑪	 12pcs				



Step 8

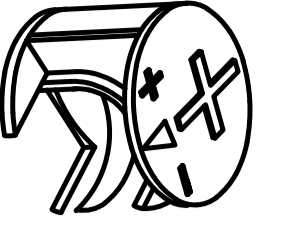


Step 9

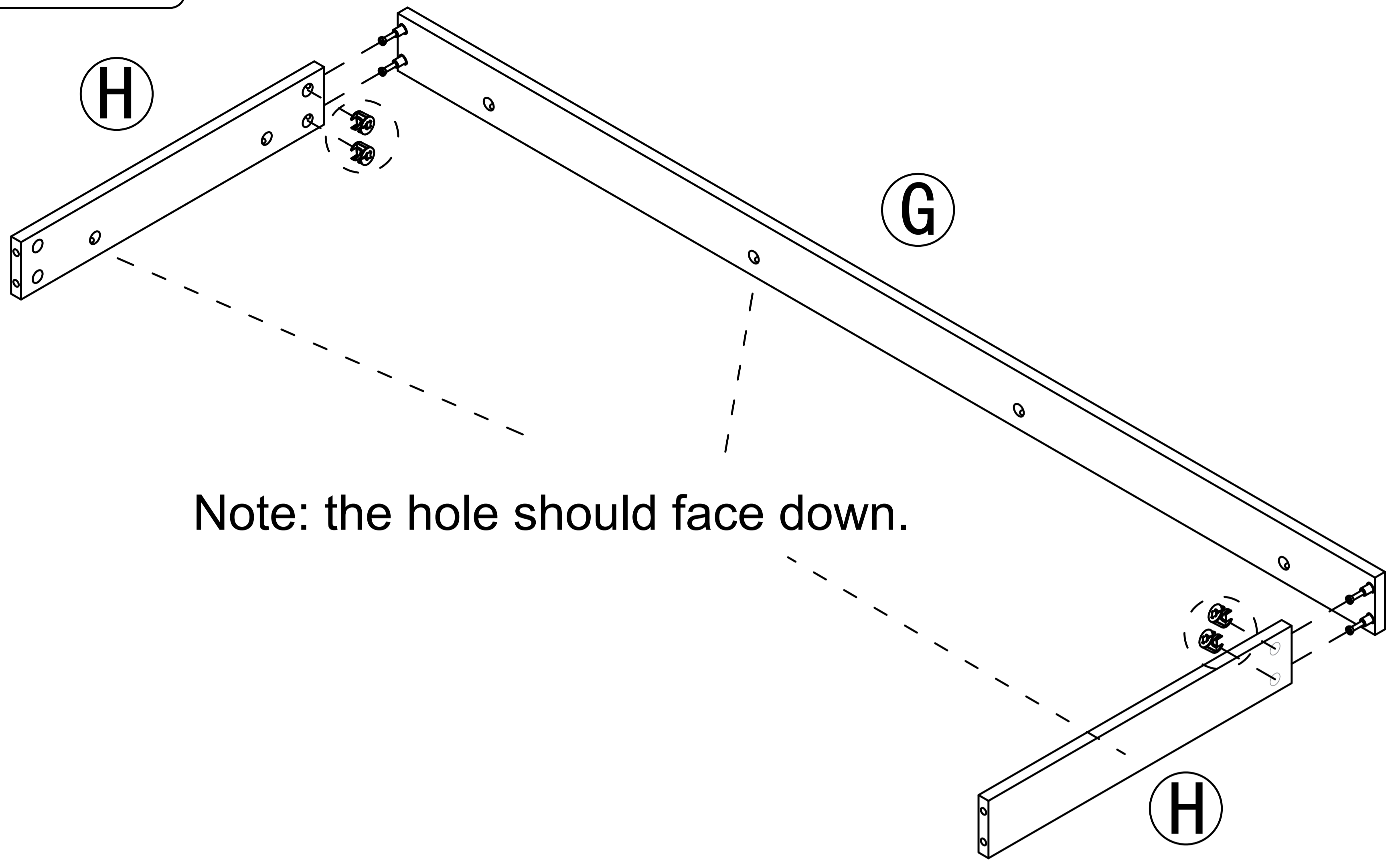


Step 10

2

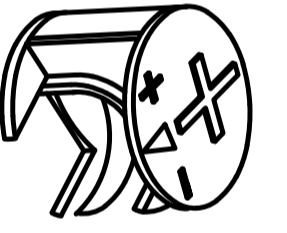


x4

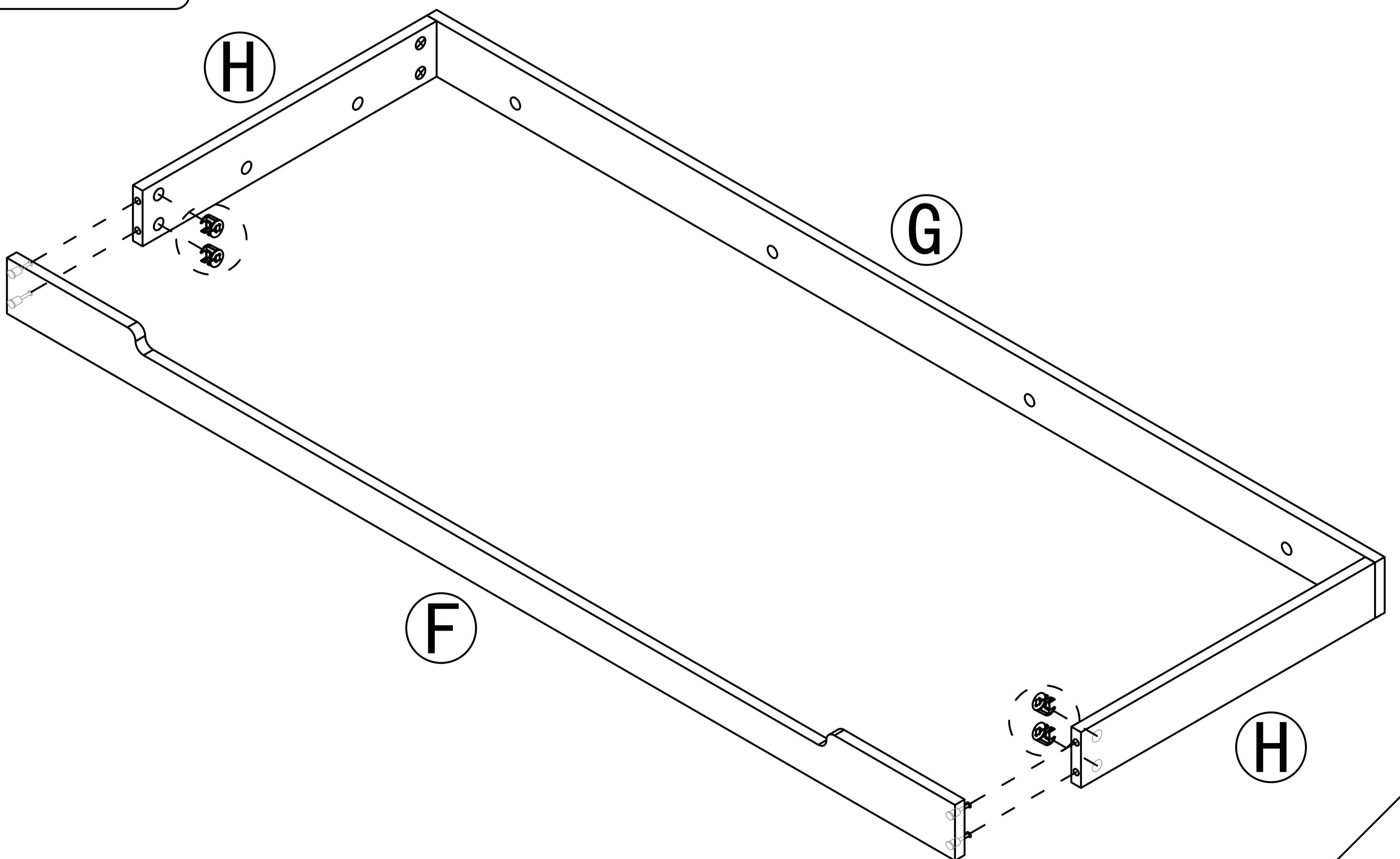


Step 11

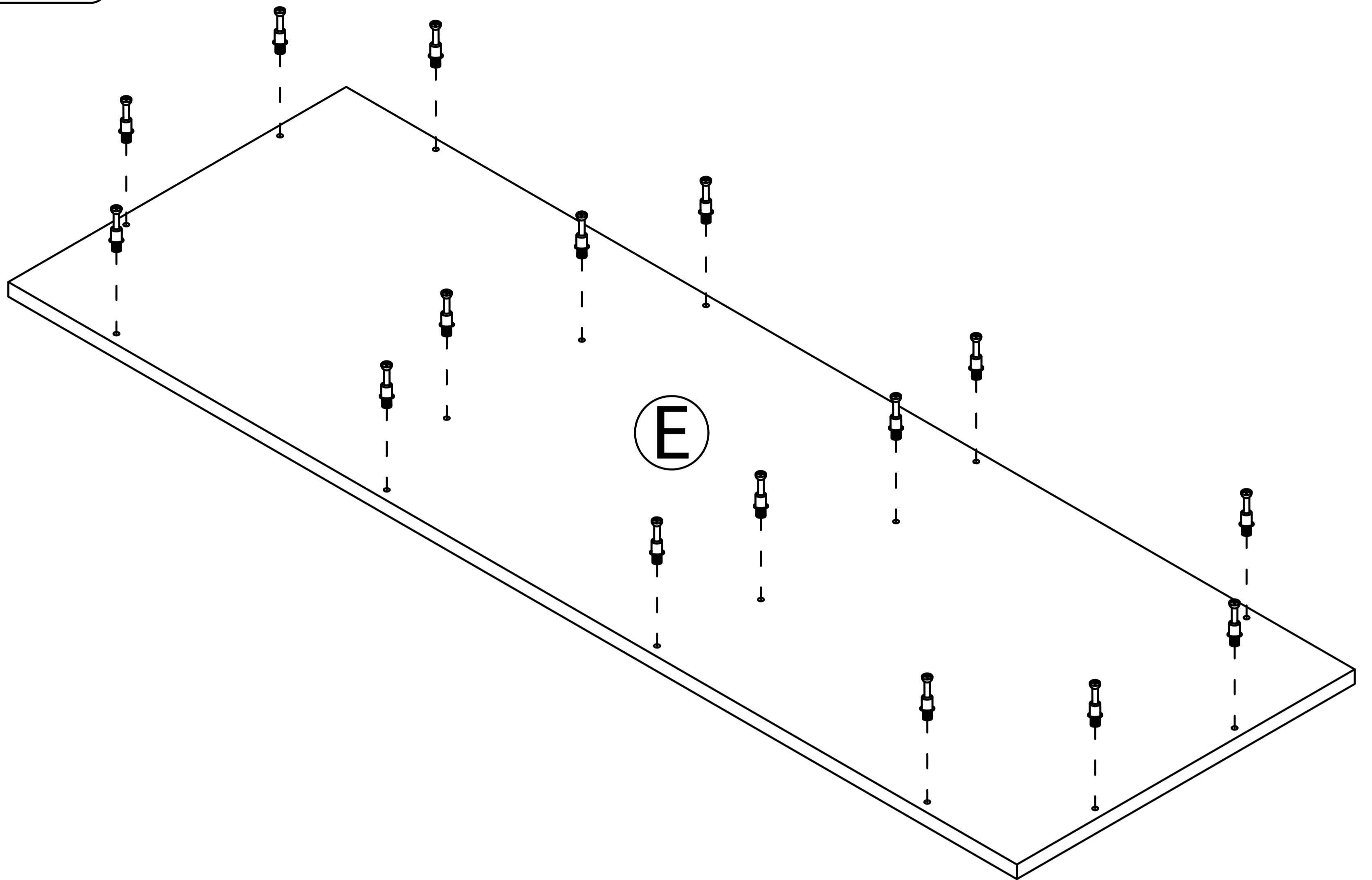
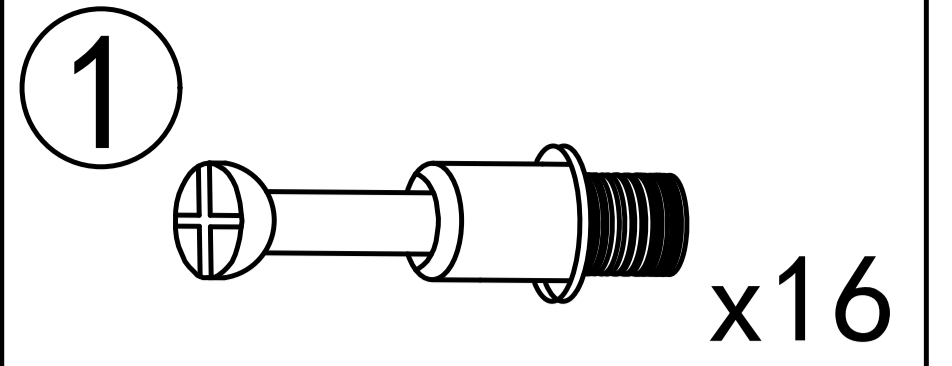
2



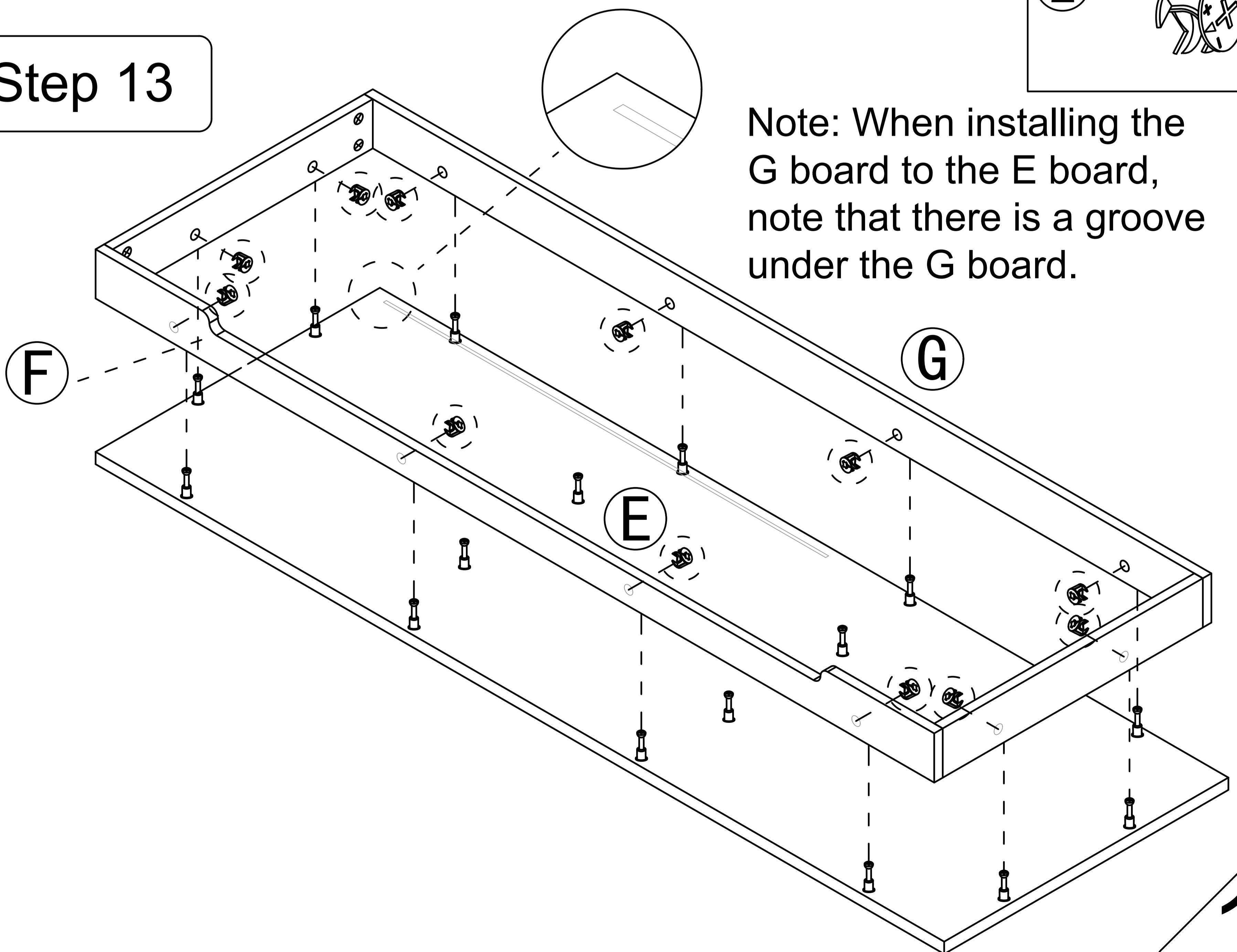
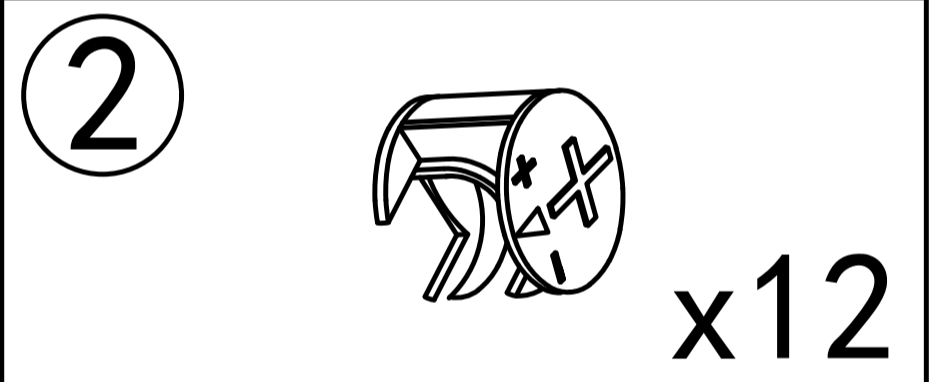
x4



Step 12



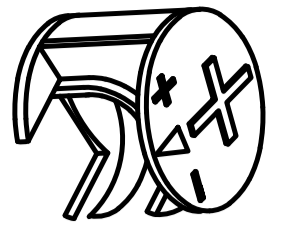
Step 13



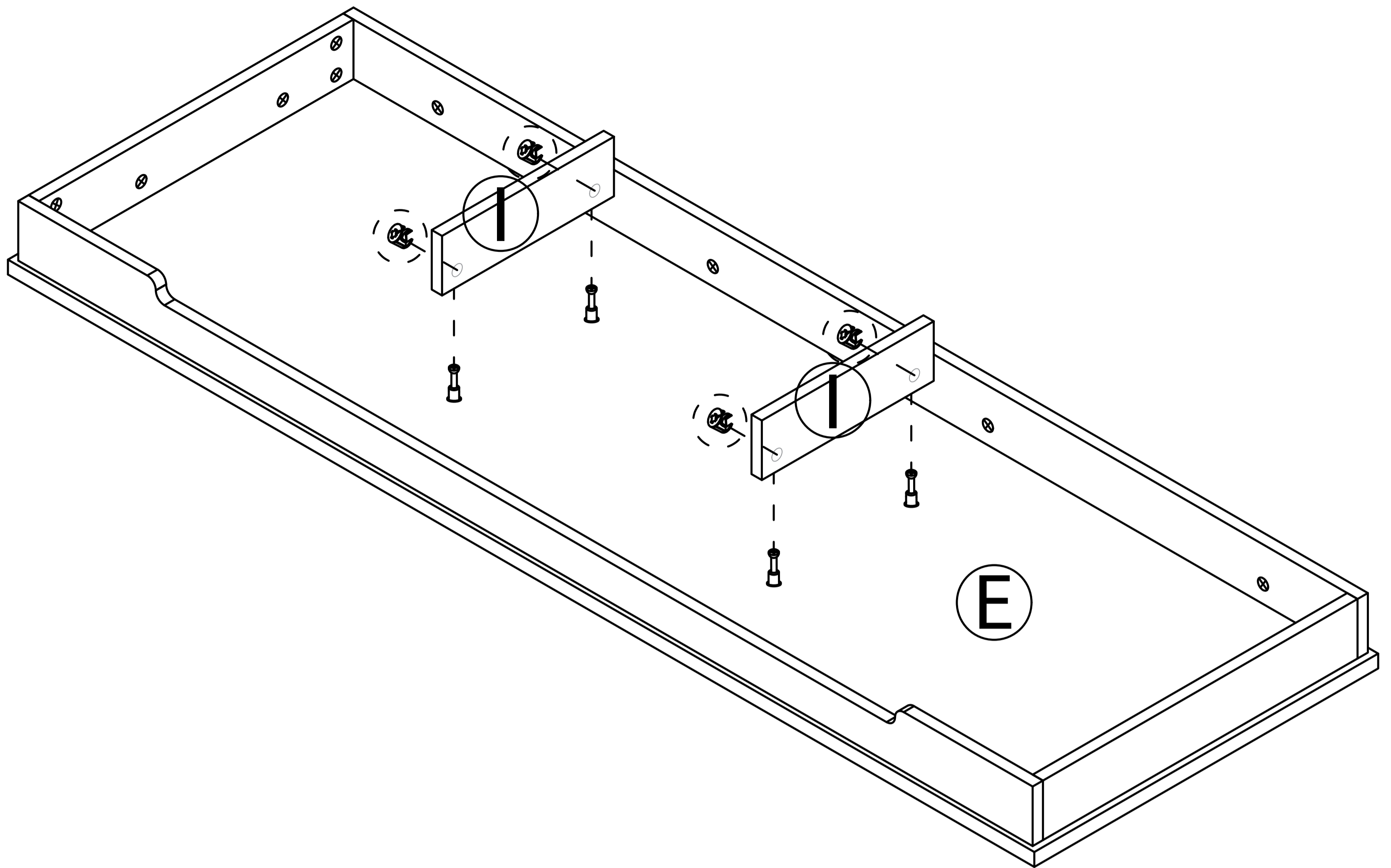
Note: When installing the G board to the E board, note that there is a groove under the G board.

Step 14

2

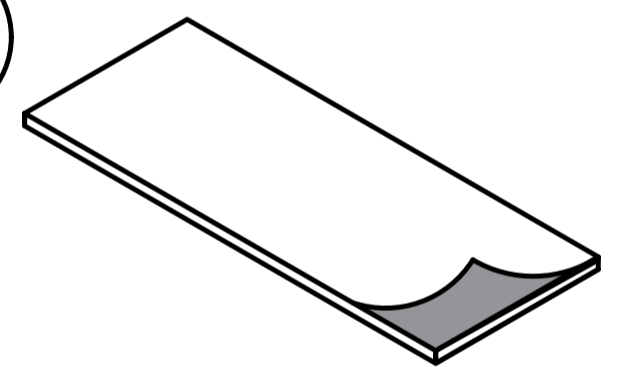


x4



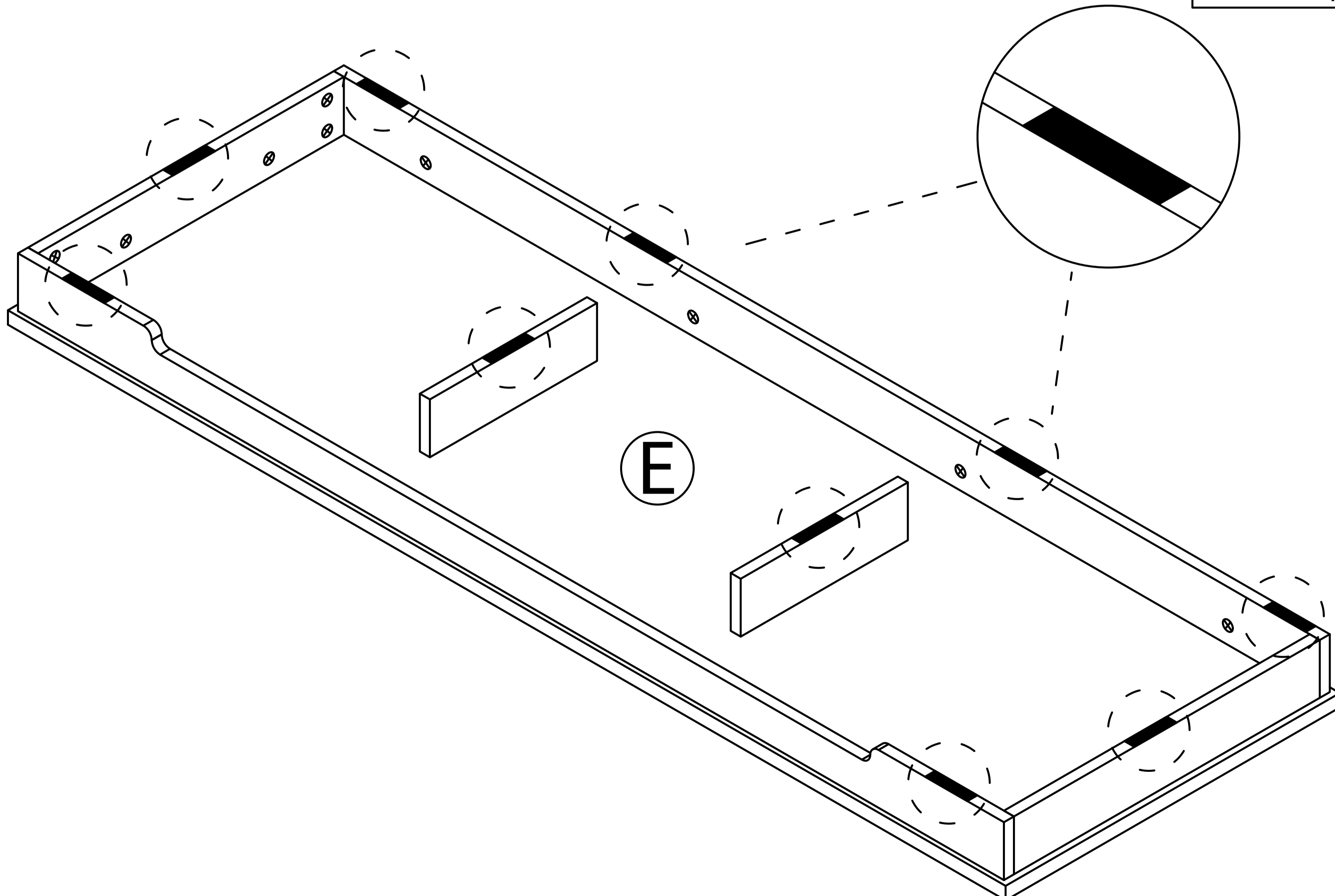
Step 15

6

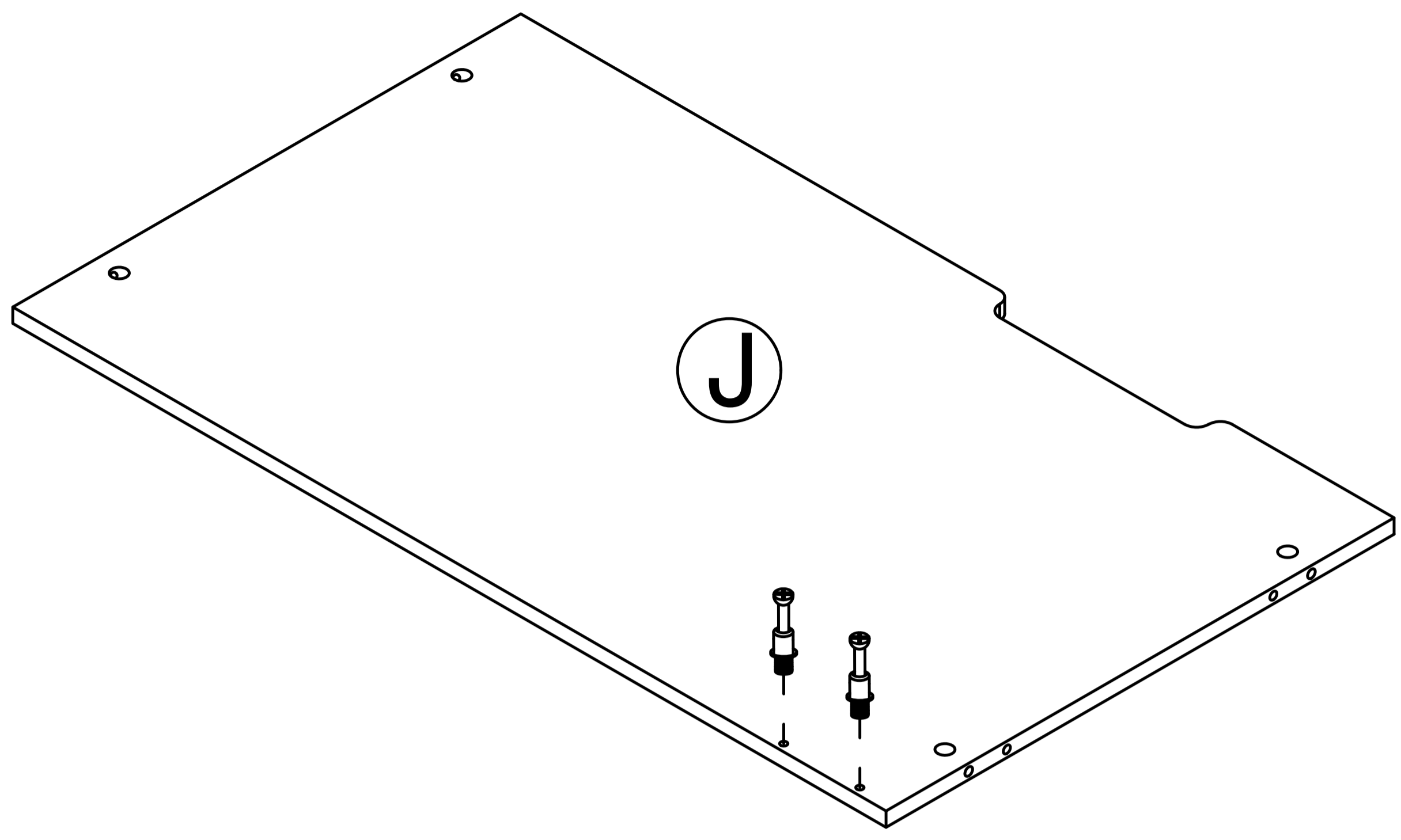
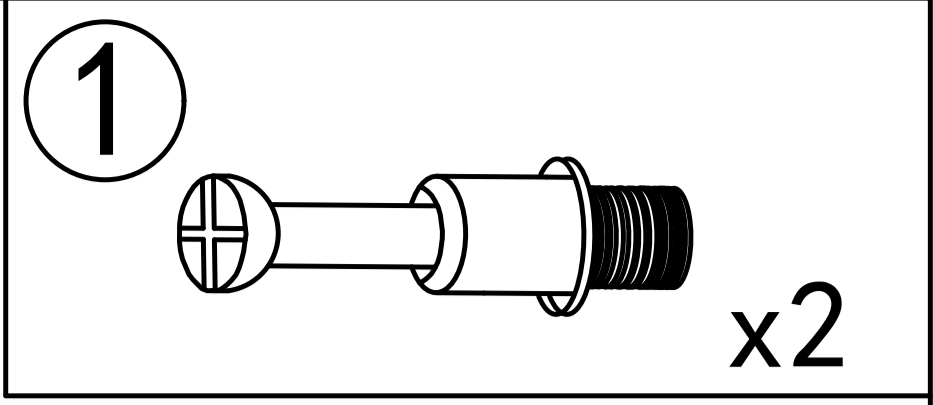


x10

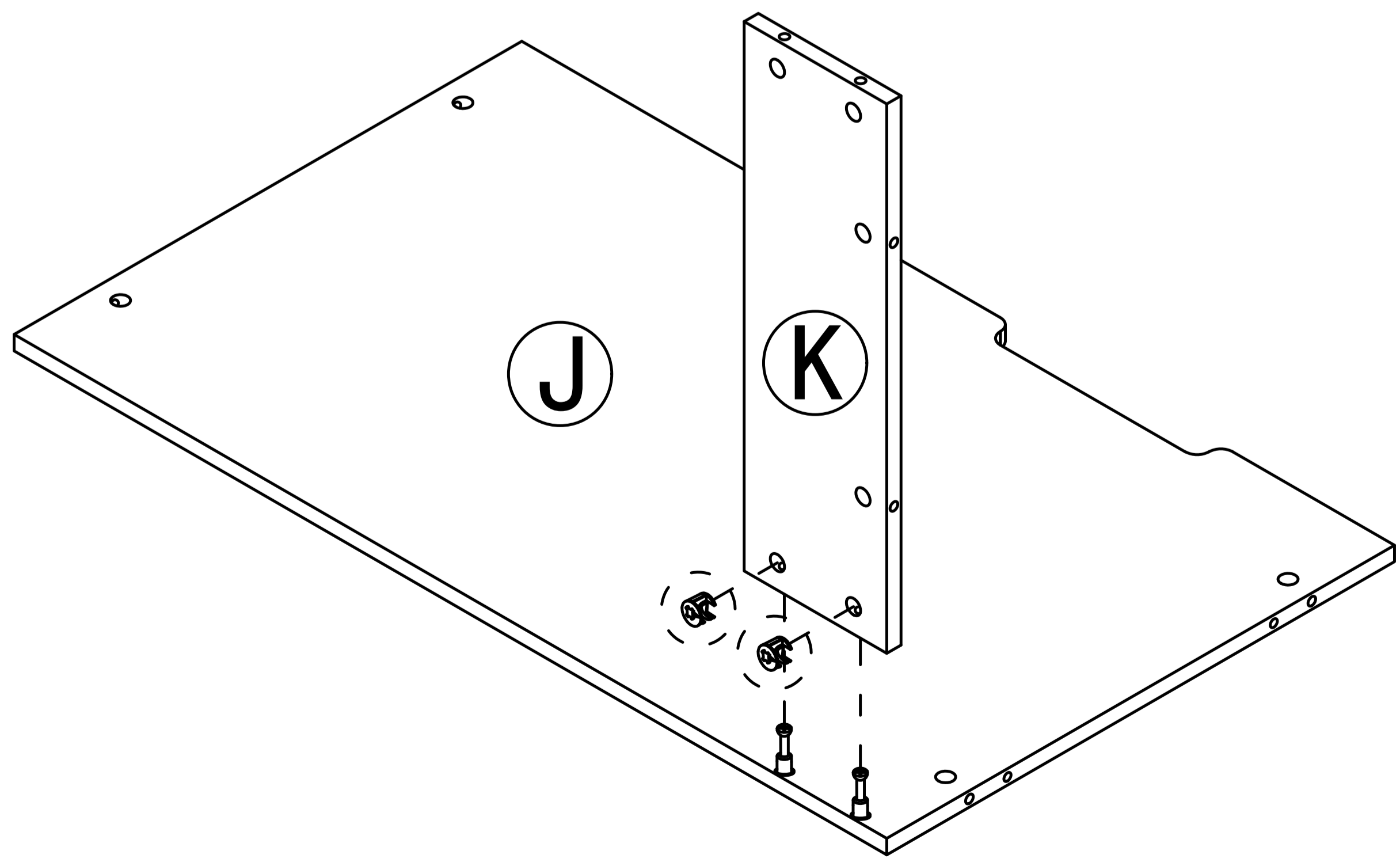
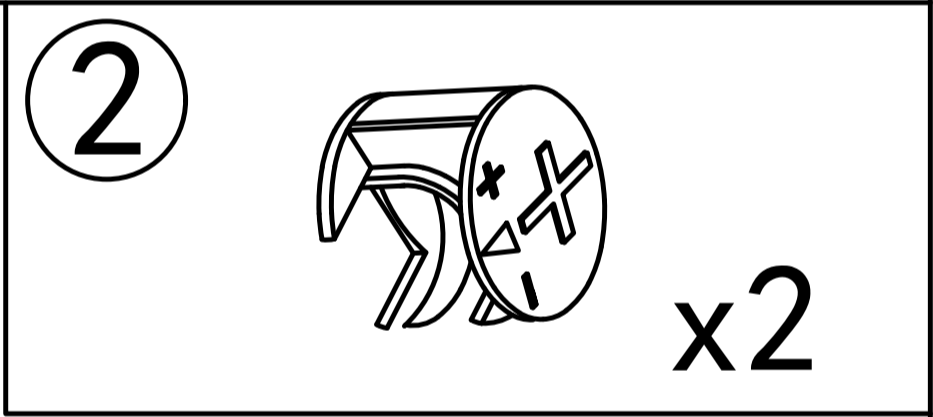
Tear off release paper and stick the black foot pad on the board



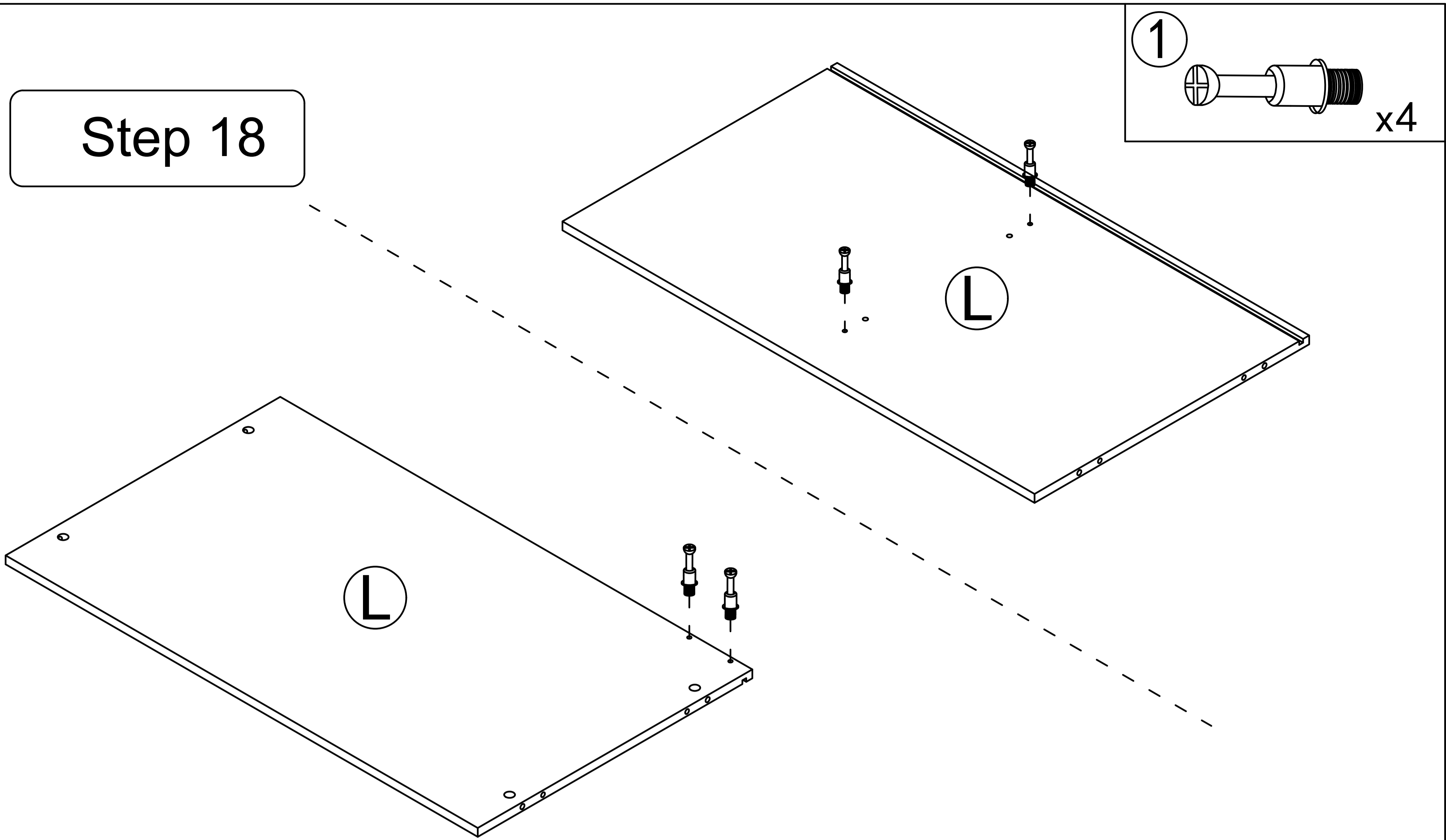
Step 16



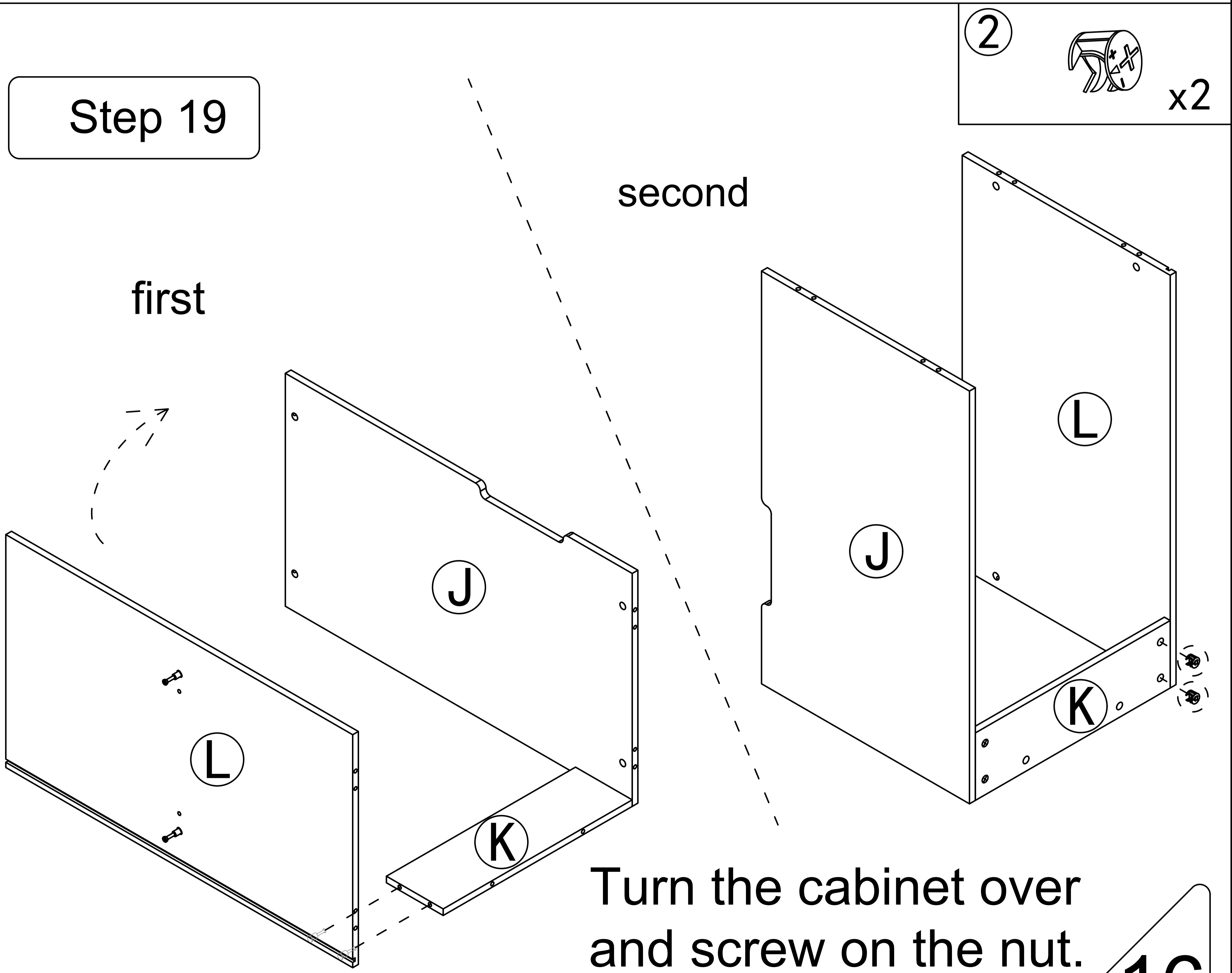
Step 17



Step 18

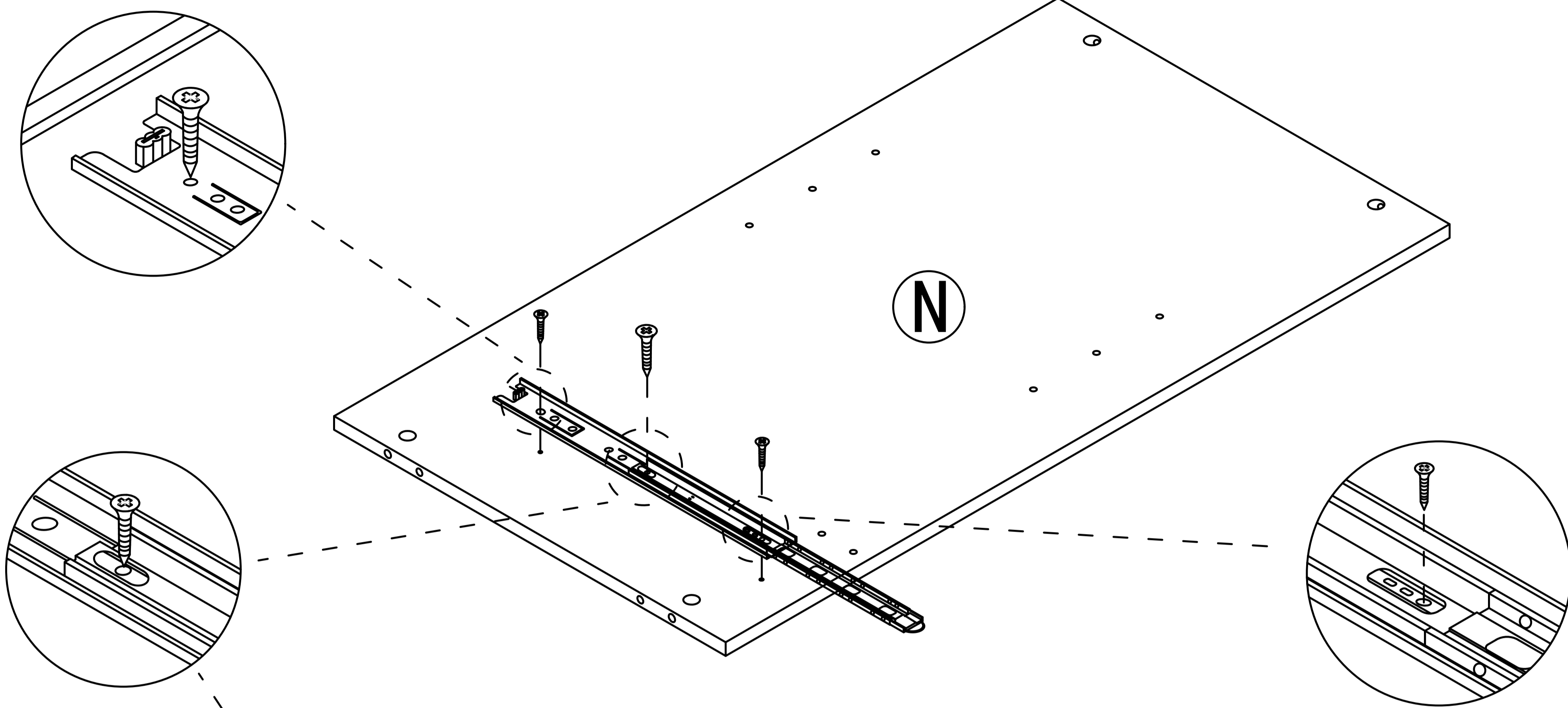
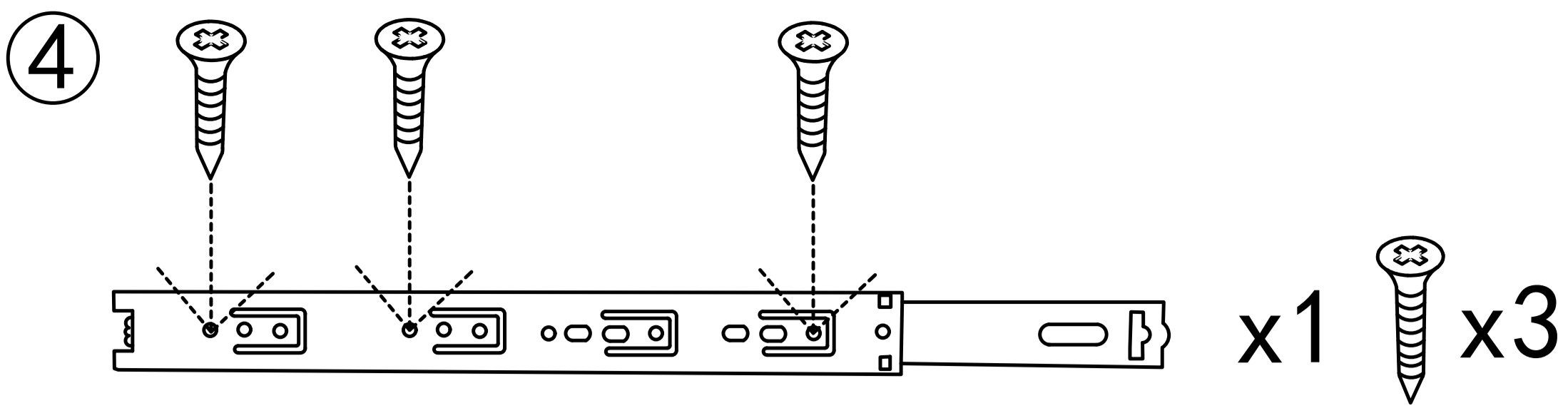


Step 19



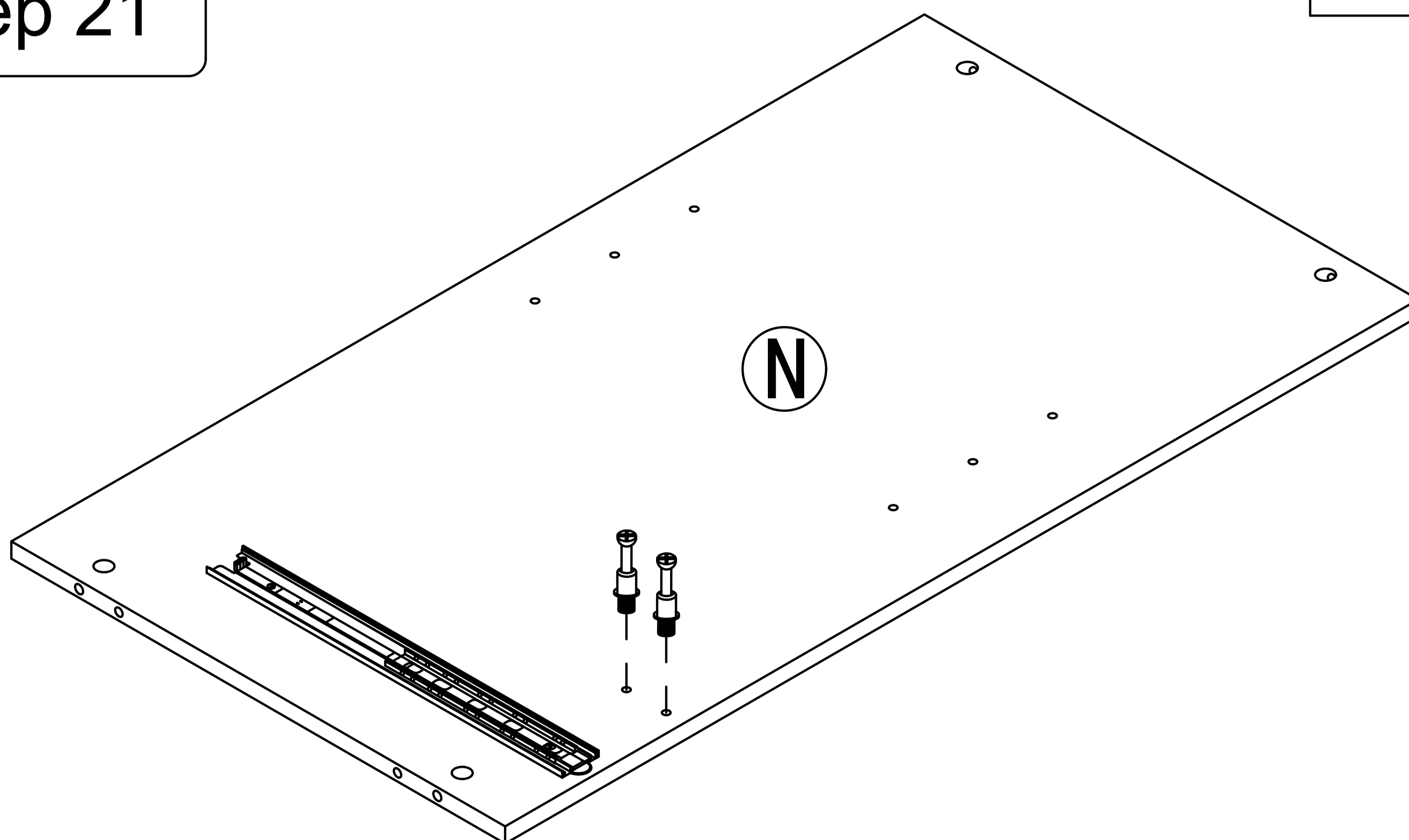
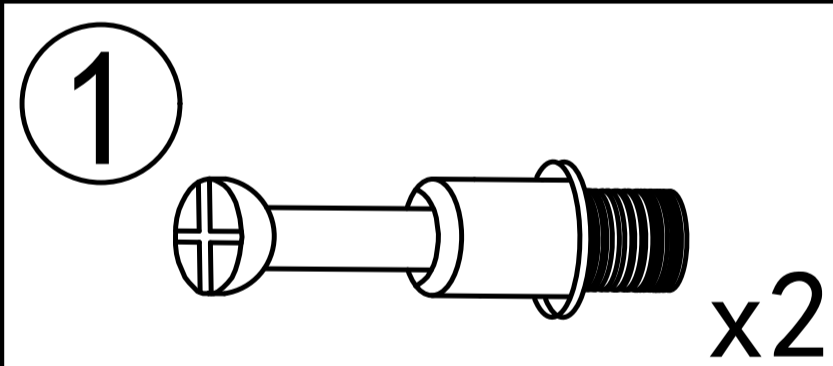
Turn the cabinet over and screw on the nut.

Step 20

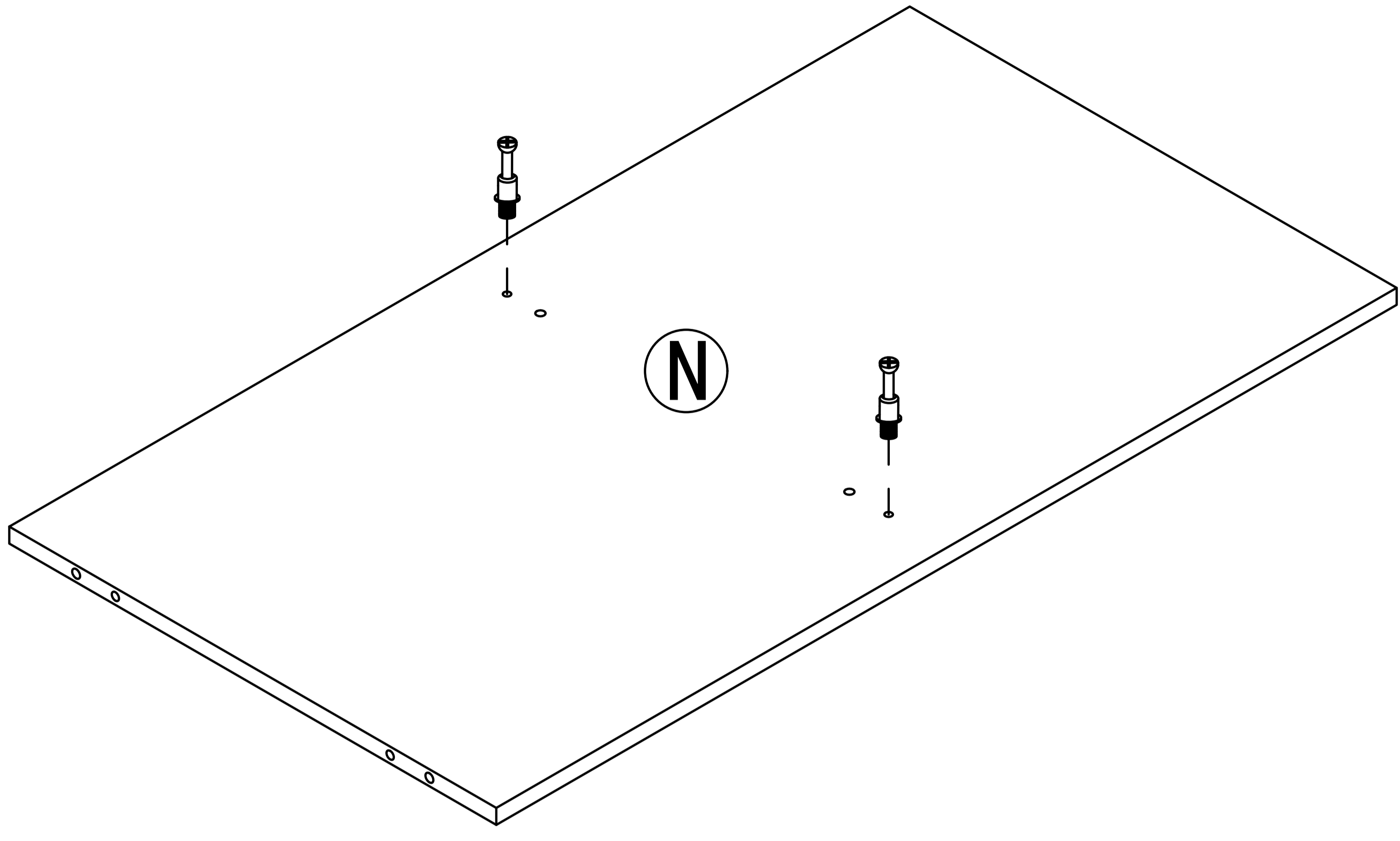
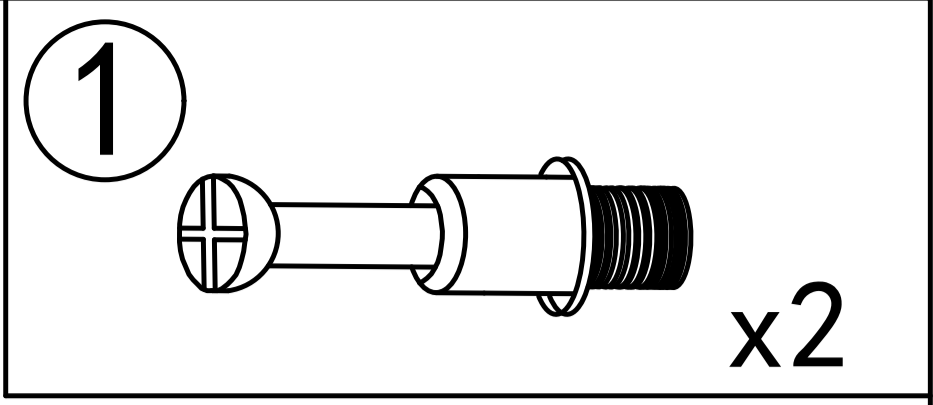


This hole is for strengthening fixed hole customers can choose to install according to their needs.

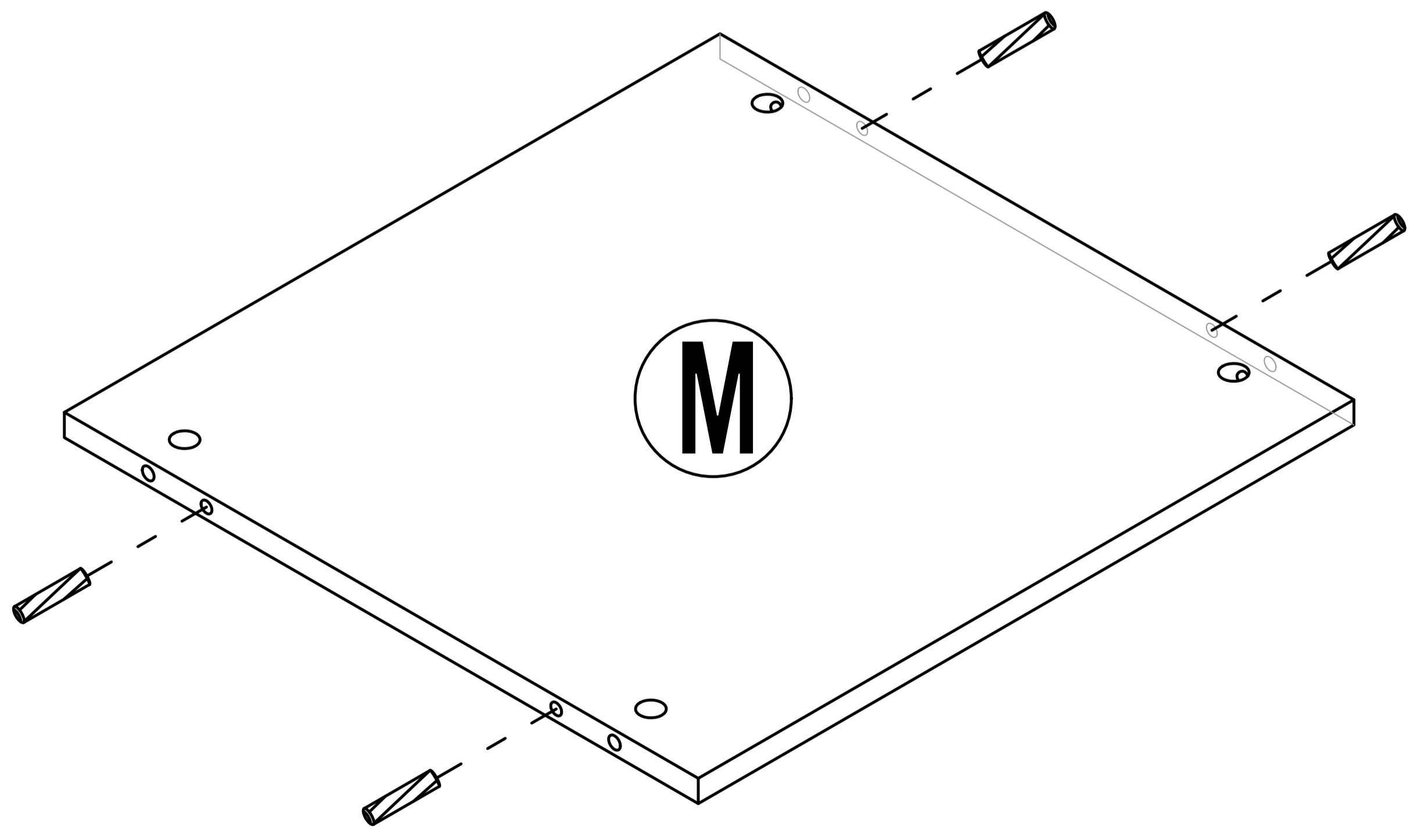
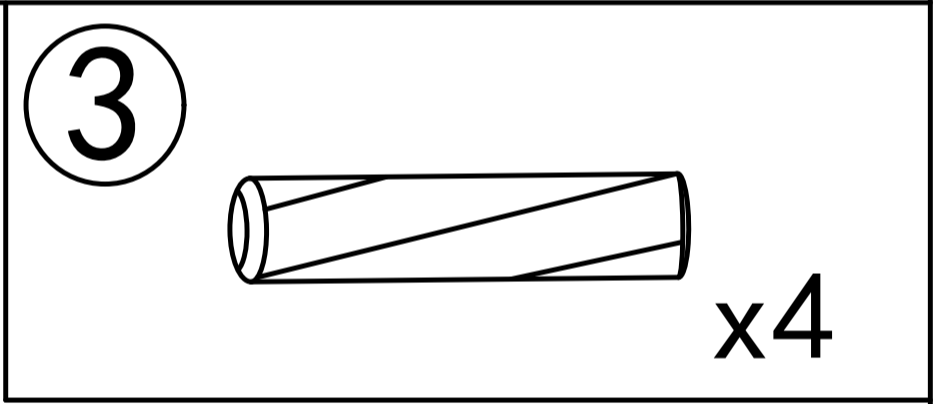
Step 21



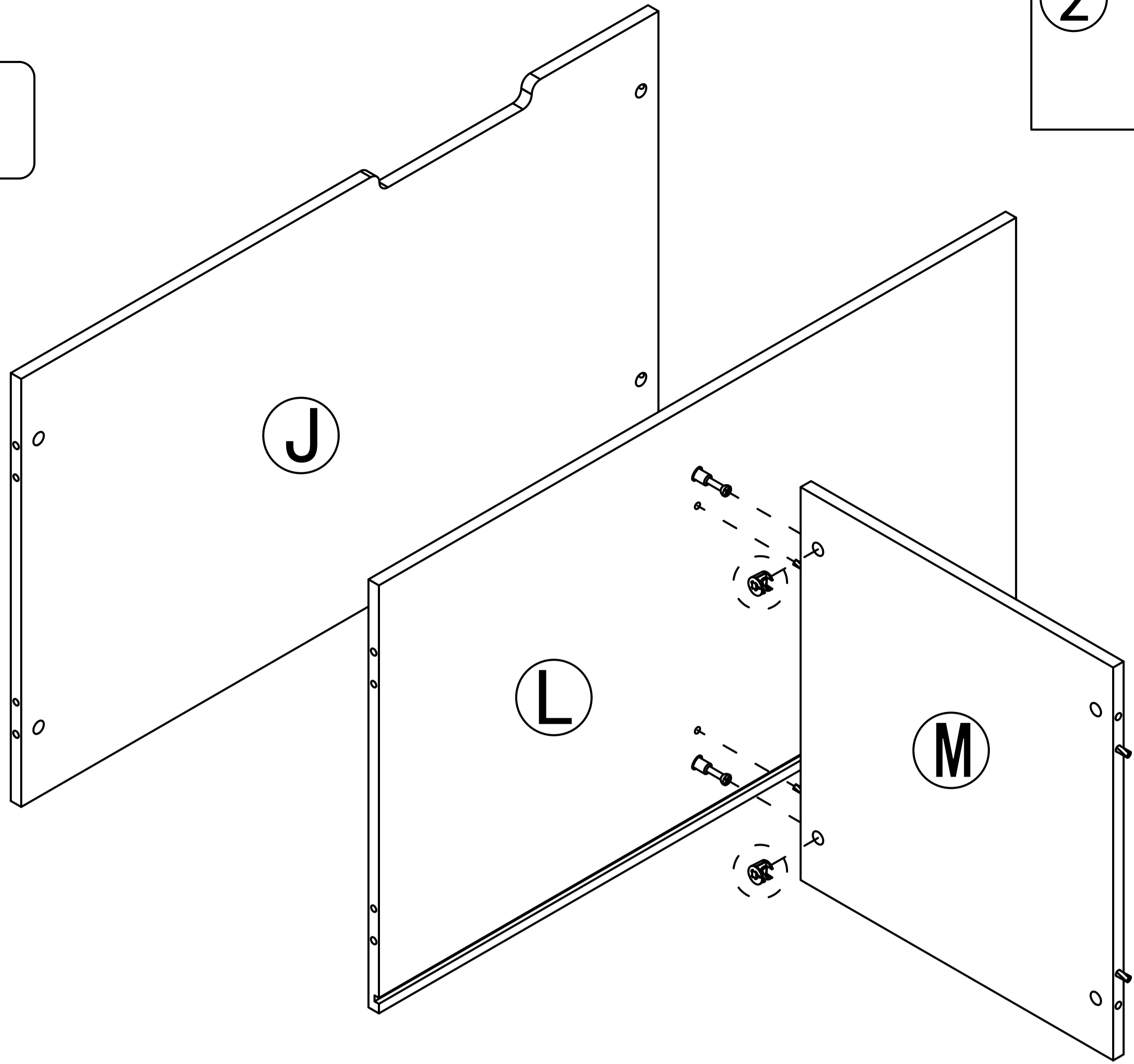
Step 22



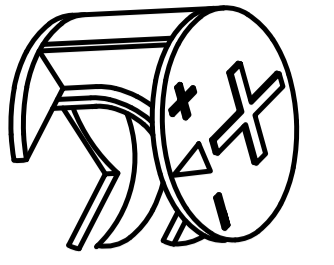
Step 23



Step 24

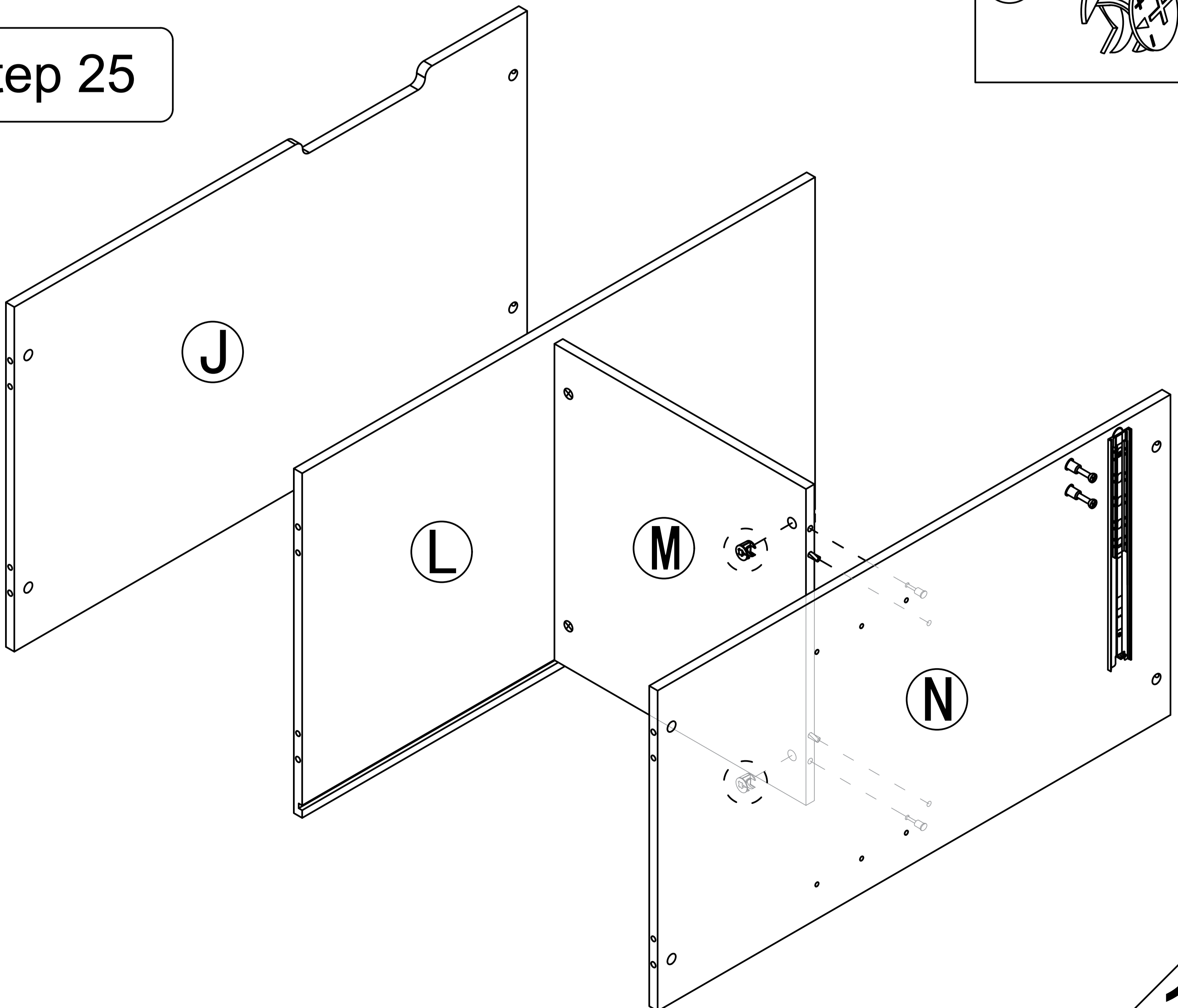


2

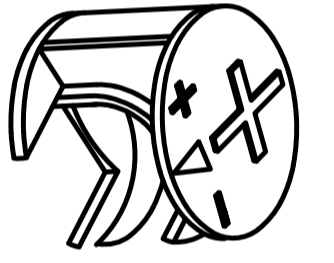


x2

Step 25



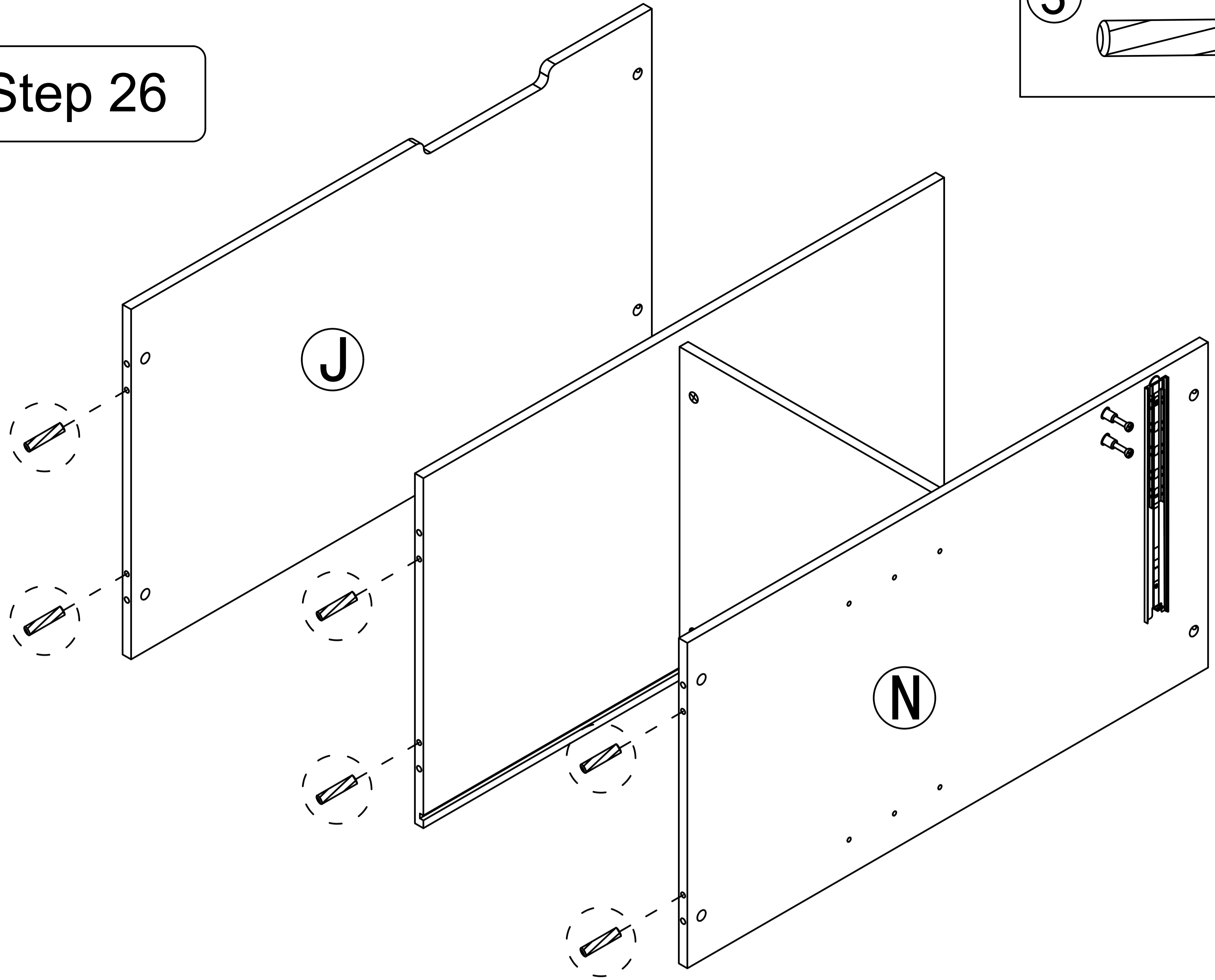
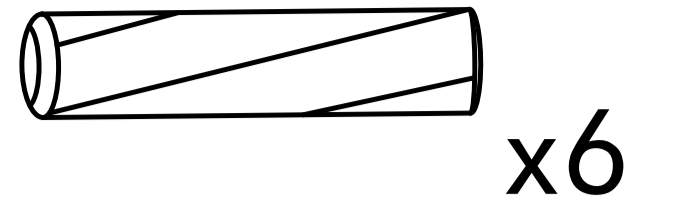
2



x2

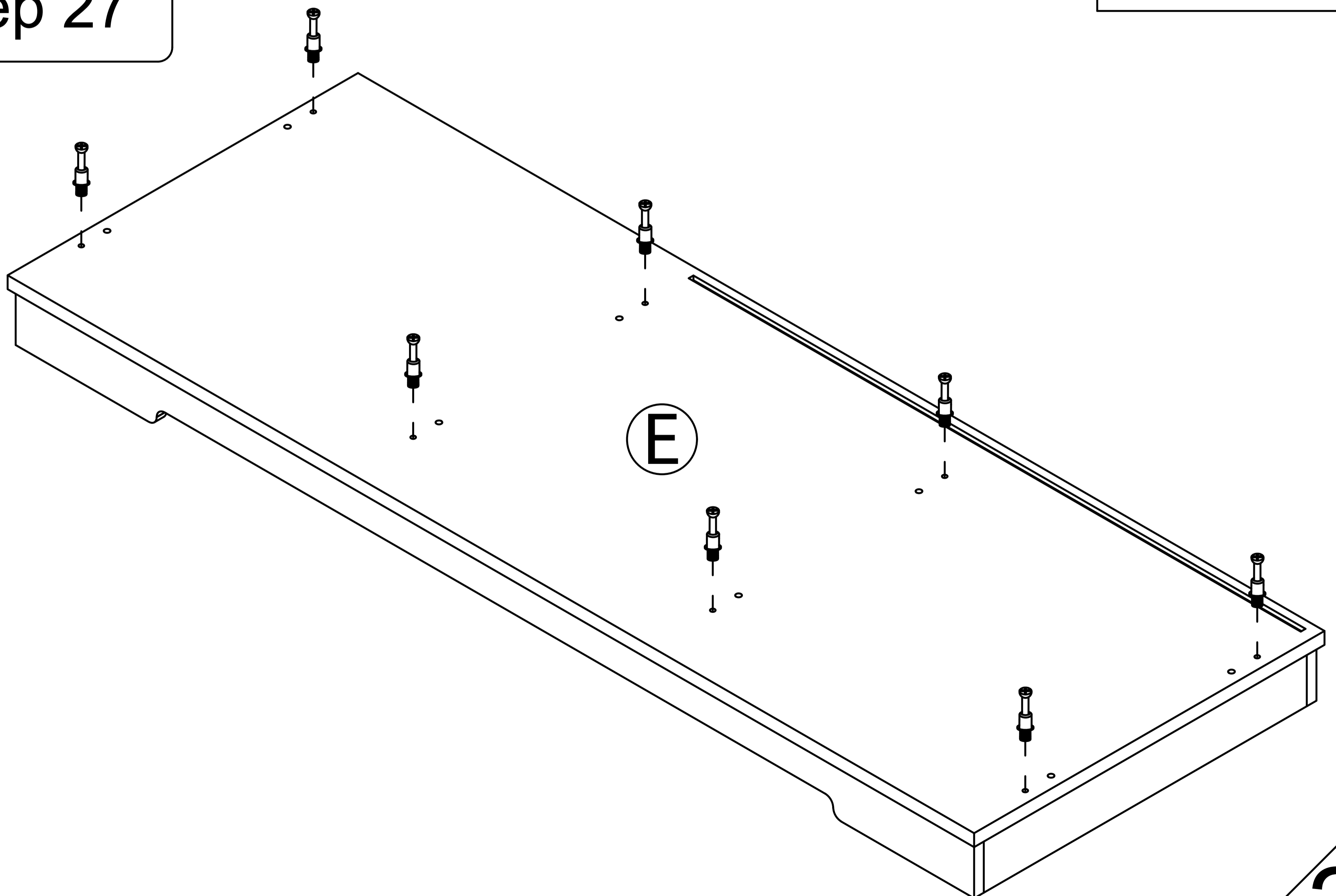
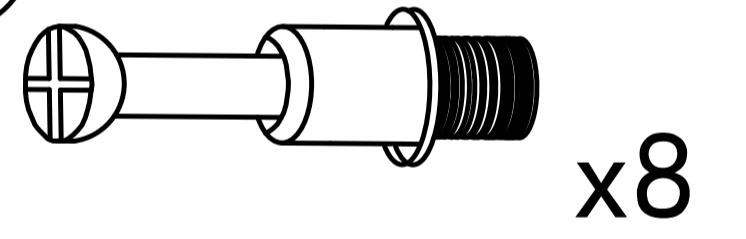
Step 26

3



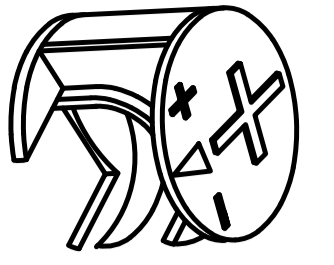
Step 27

1

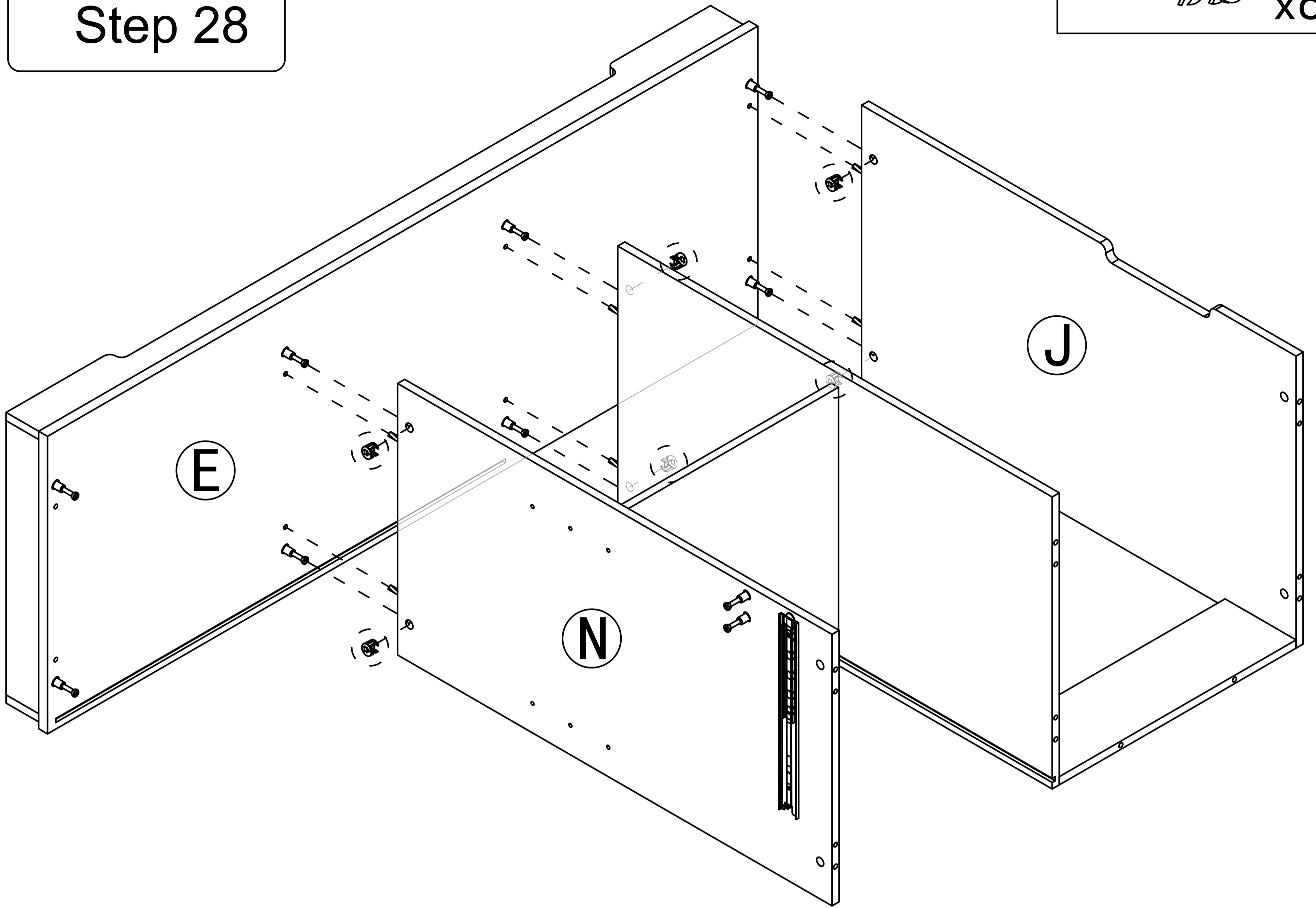


Step 28

2



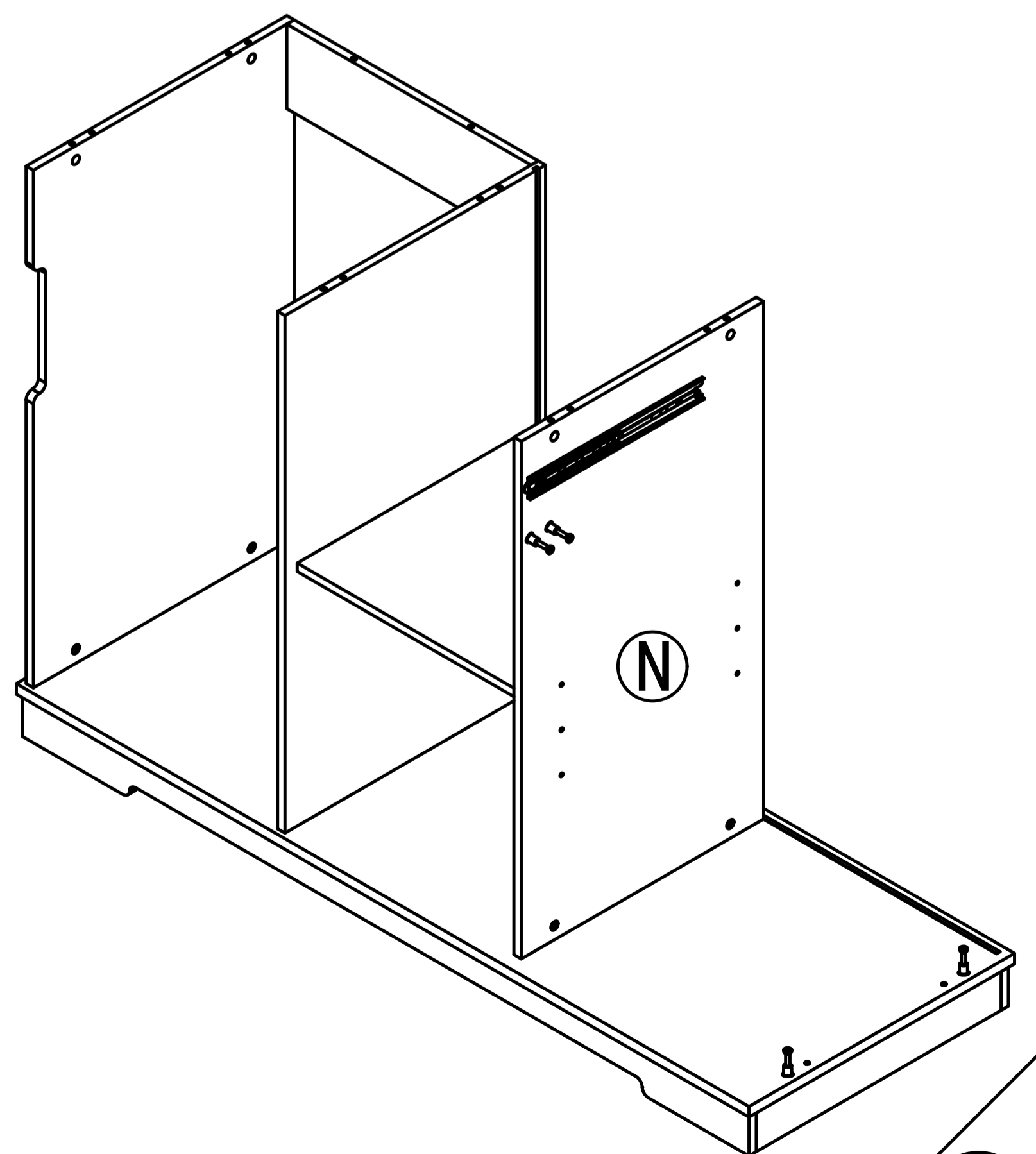
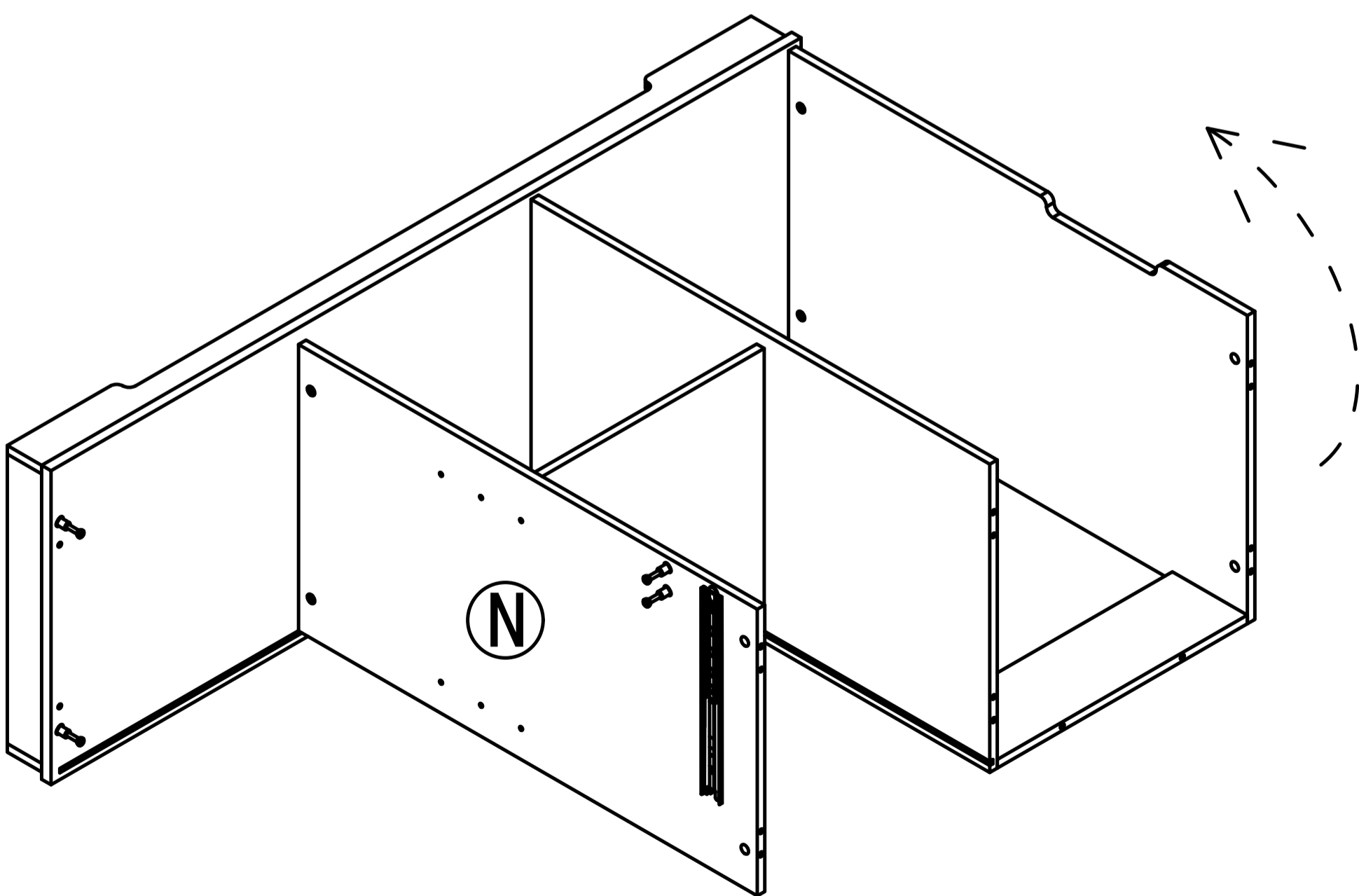
x6



Note: After installing the bottom plate, two people will help the cabinet up together.

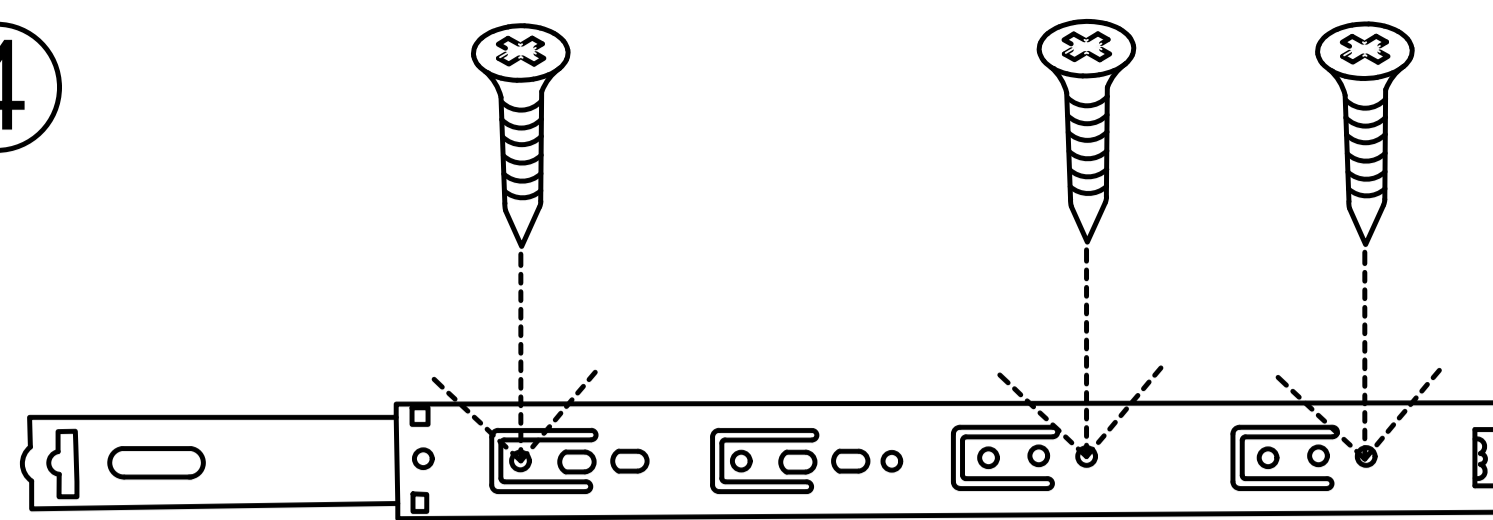
turn

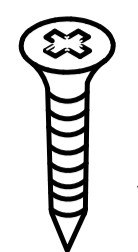
After turning over

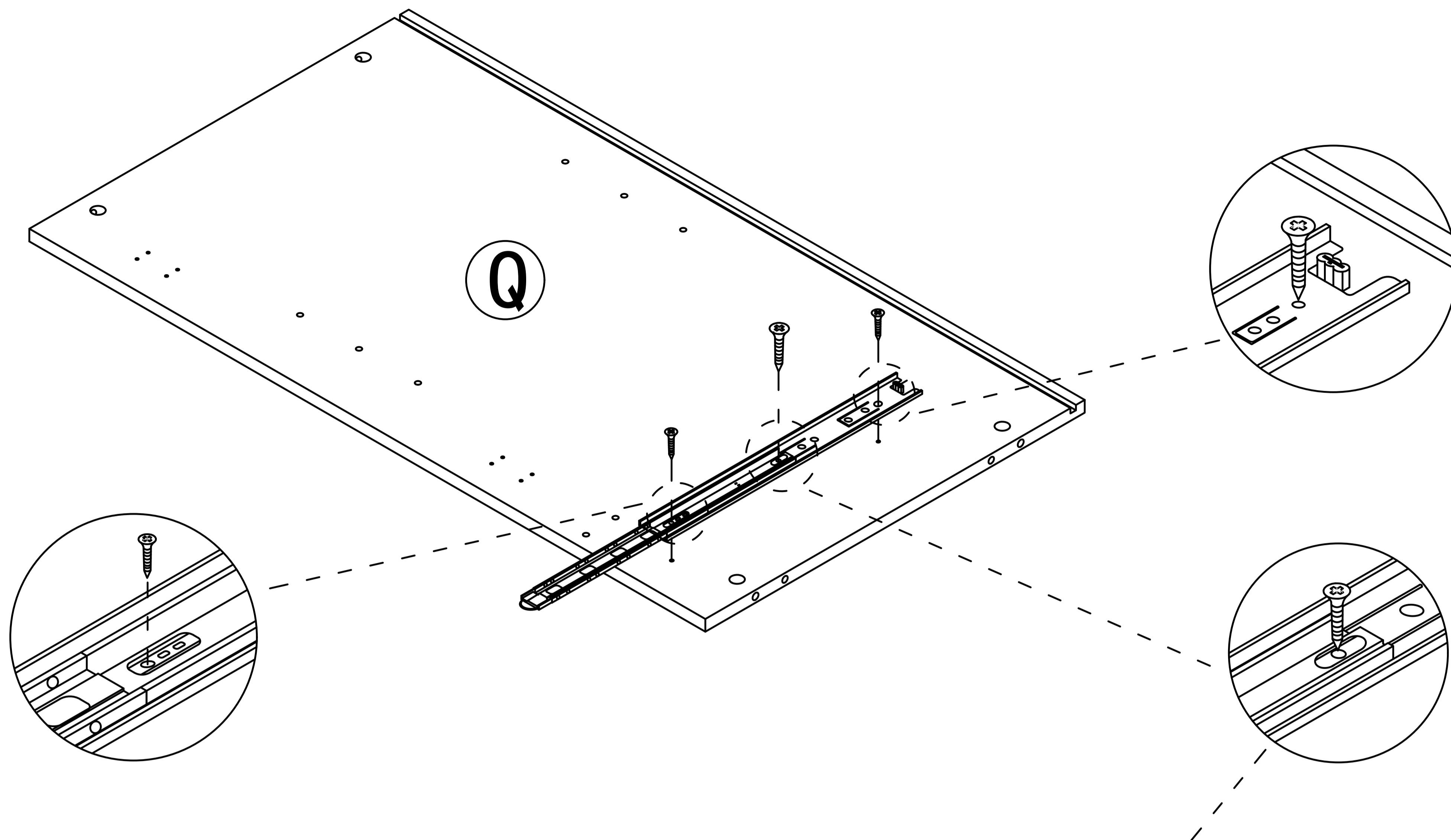


Step 29

4



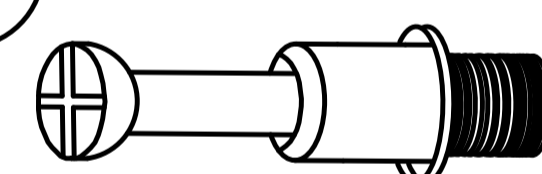
x1  x3



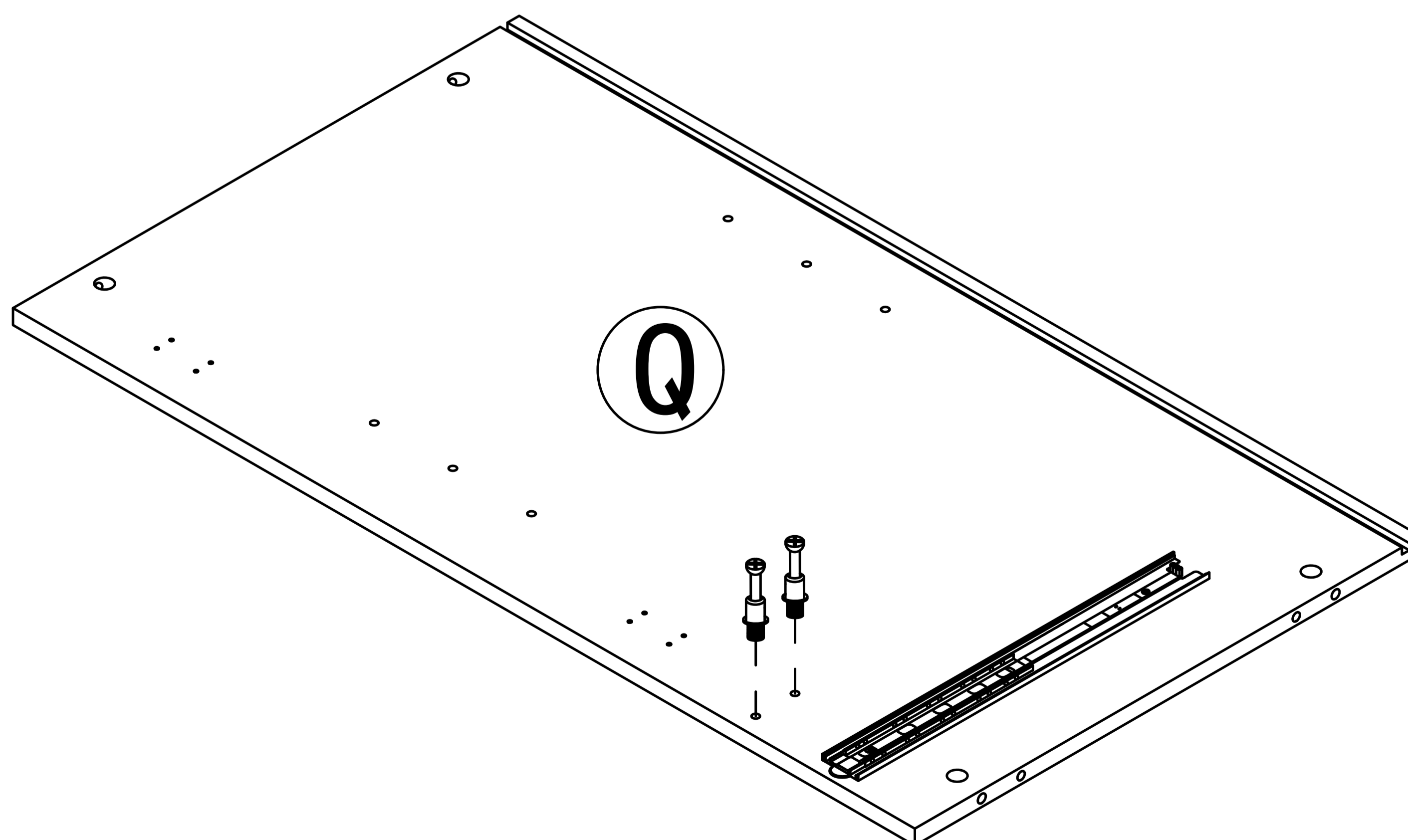
This hole is for strengthening fixed hole customers can choose to install according to their needs.

Step 30

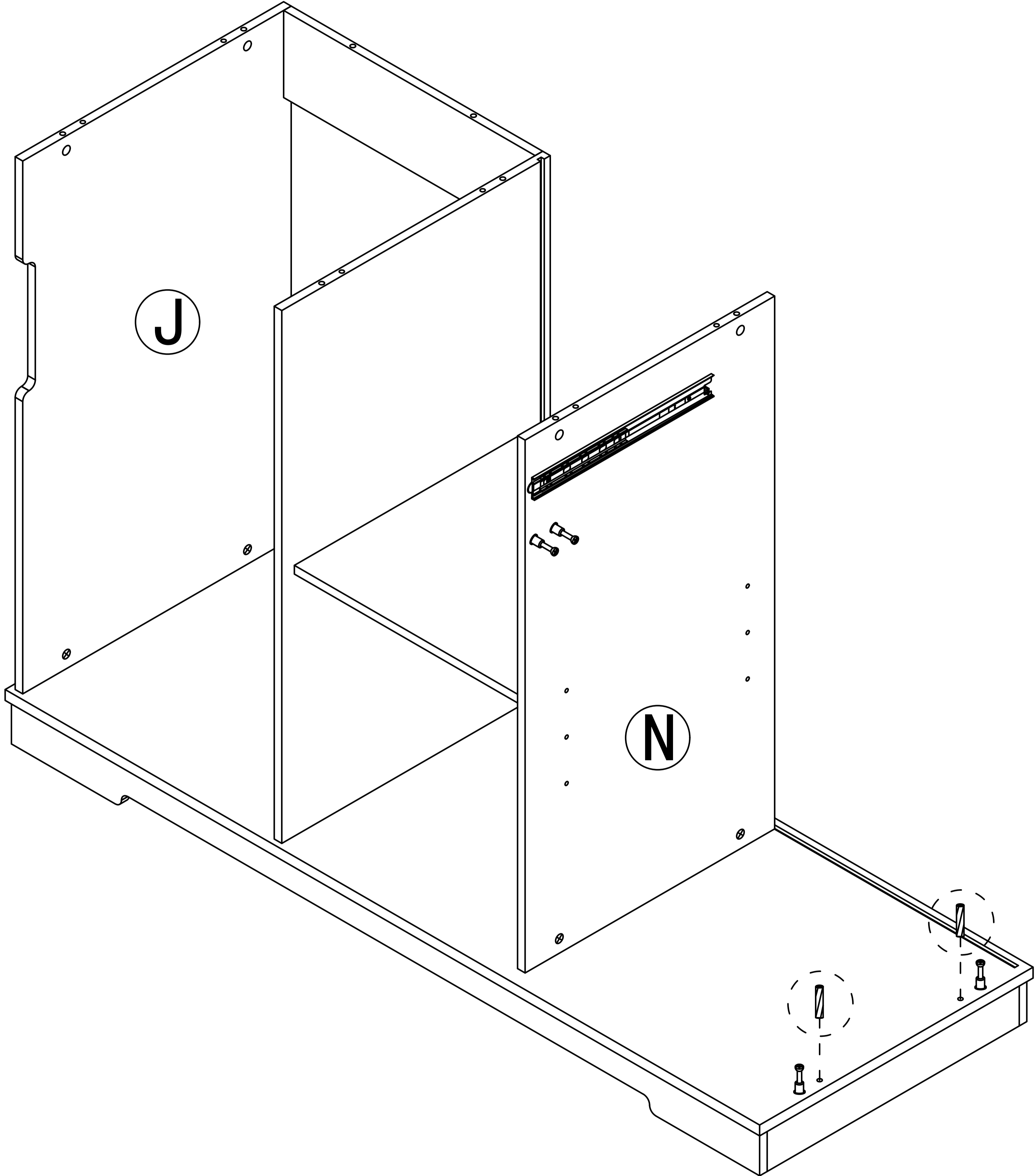
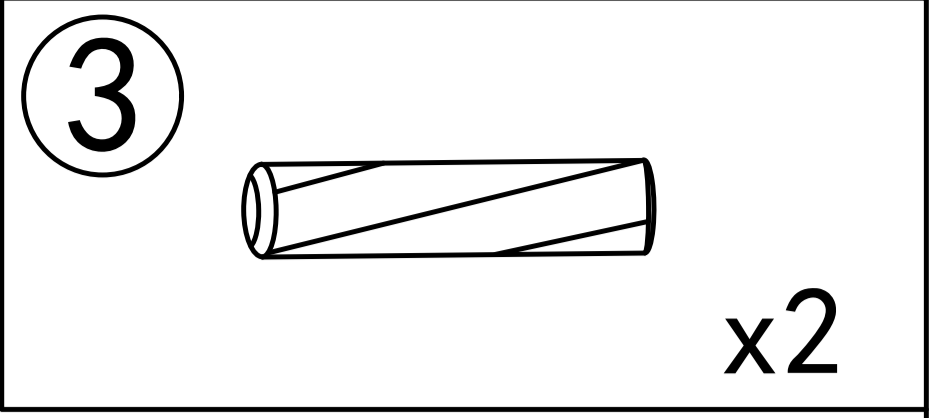
1



x2

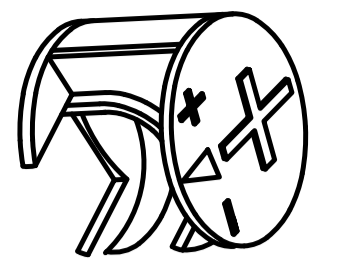


Step 31



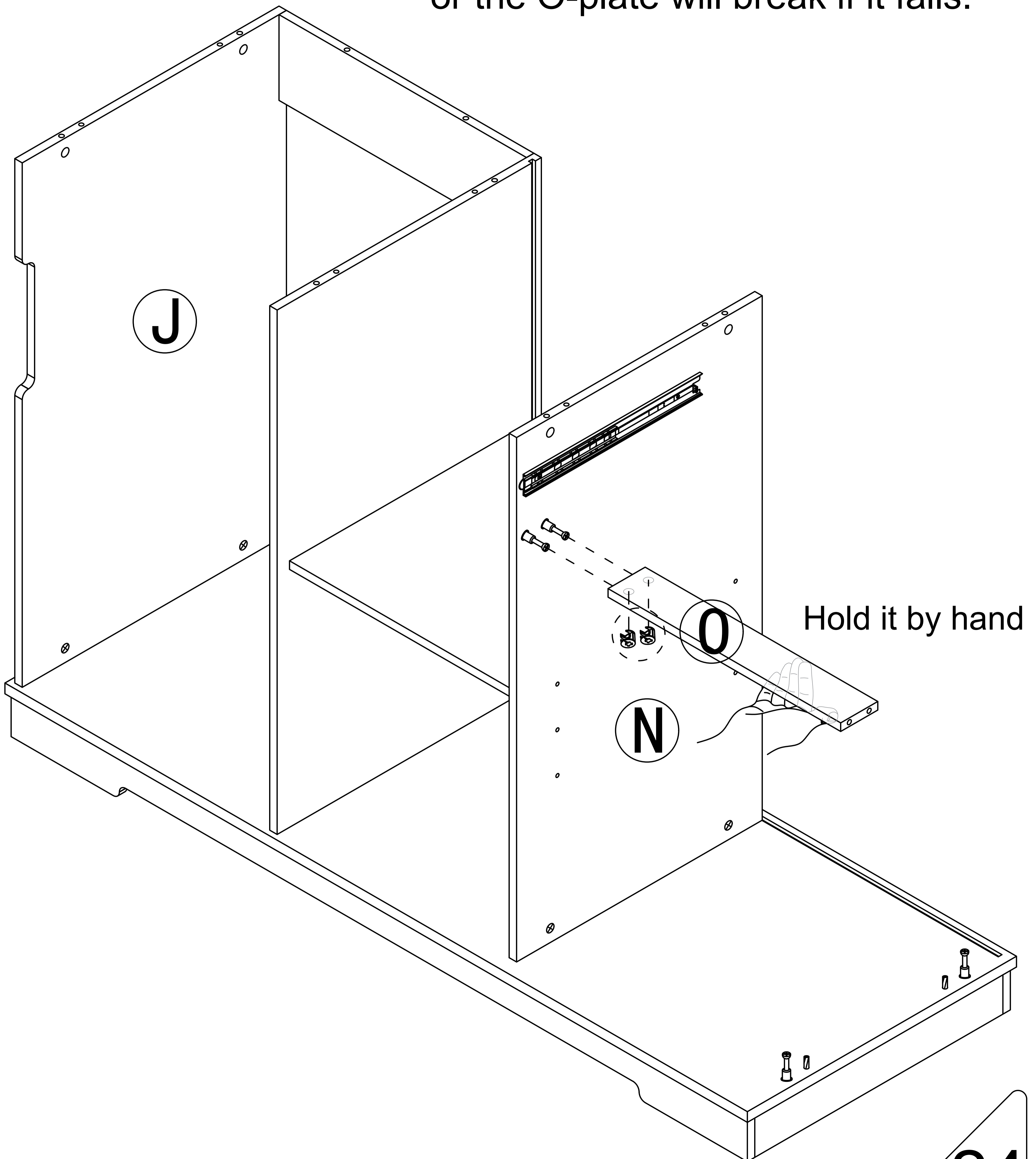
Step 32

2



x2

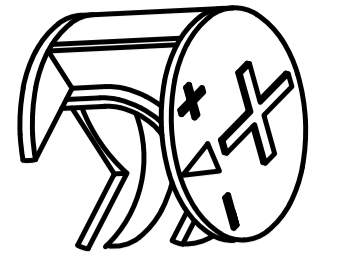
Hold the O-plate with your hands,
or the O-plate will break if it falls.



Hold it by hand

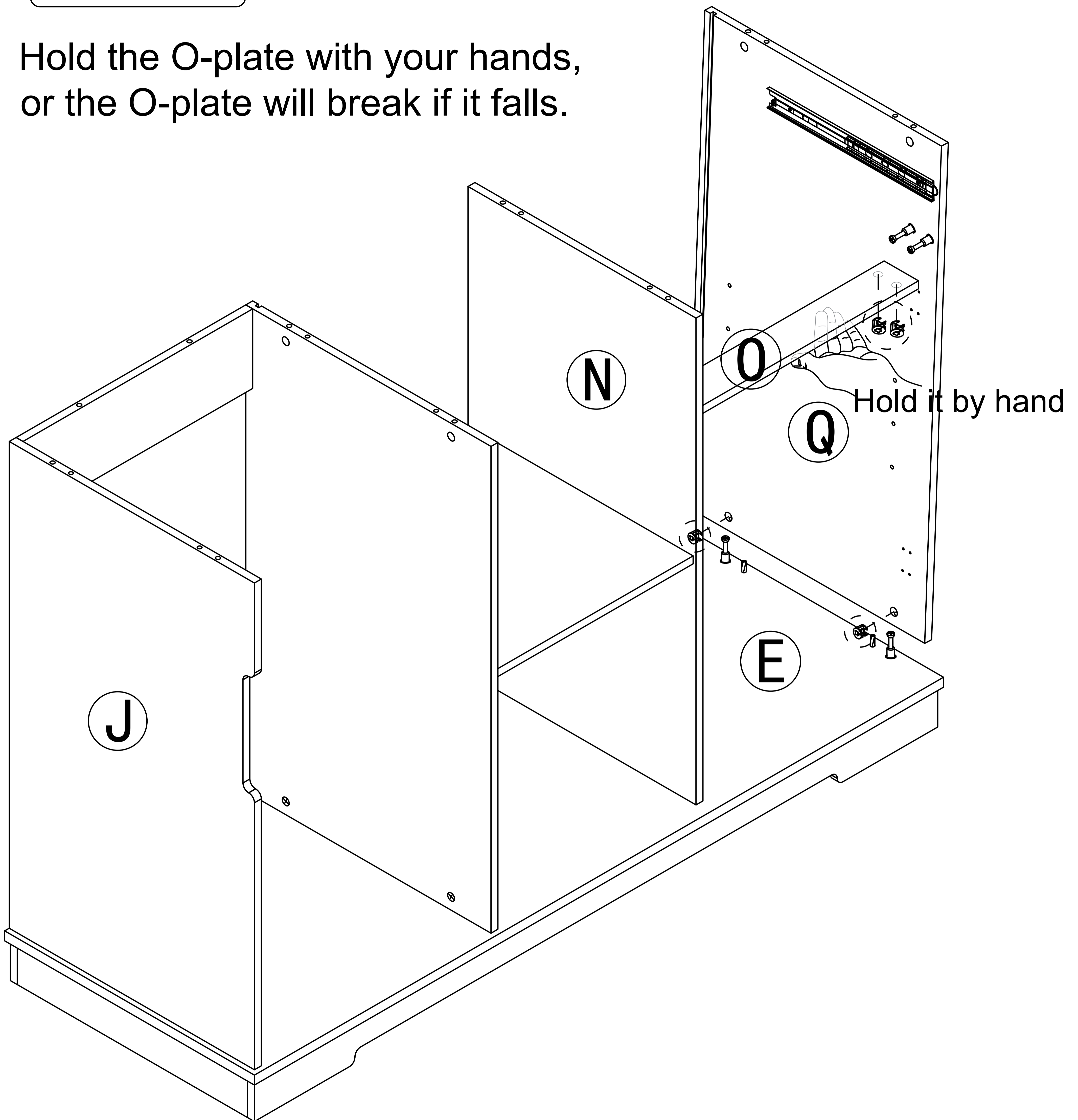
Step 33

2



x4

Hold the O-plate with your hands,
or the O-plate will break if it falls.




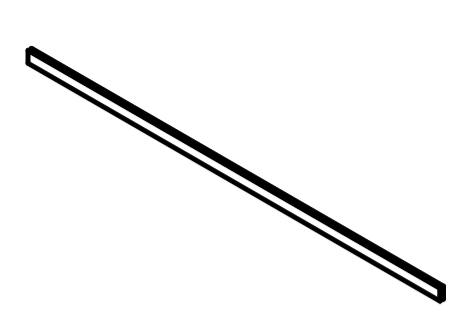
Insert at an angle, align with the
holes, and tighten the connector.

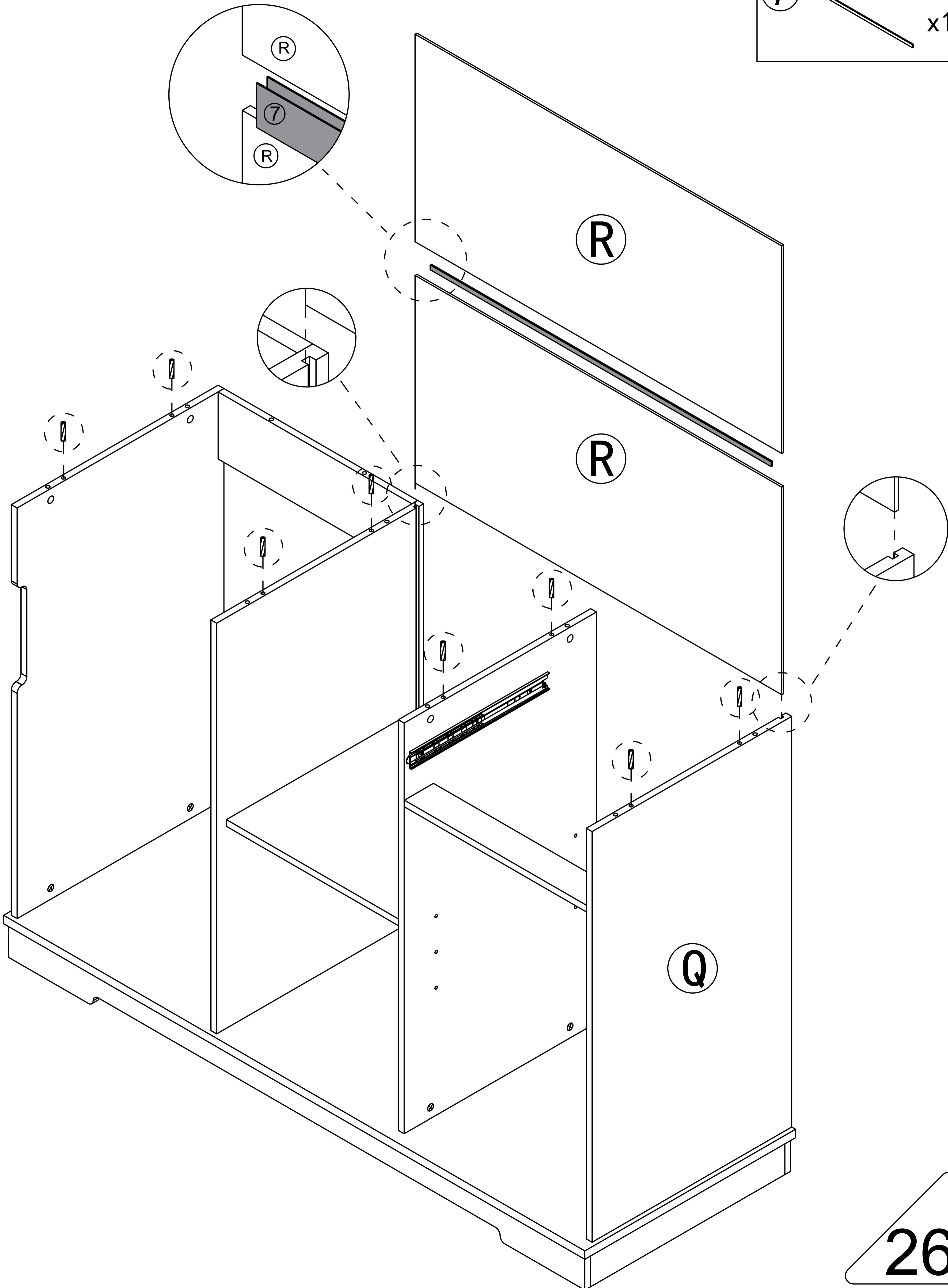
Note: Lock the nut only after the connection between
Q board and E board and O board is completed.

25

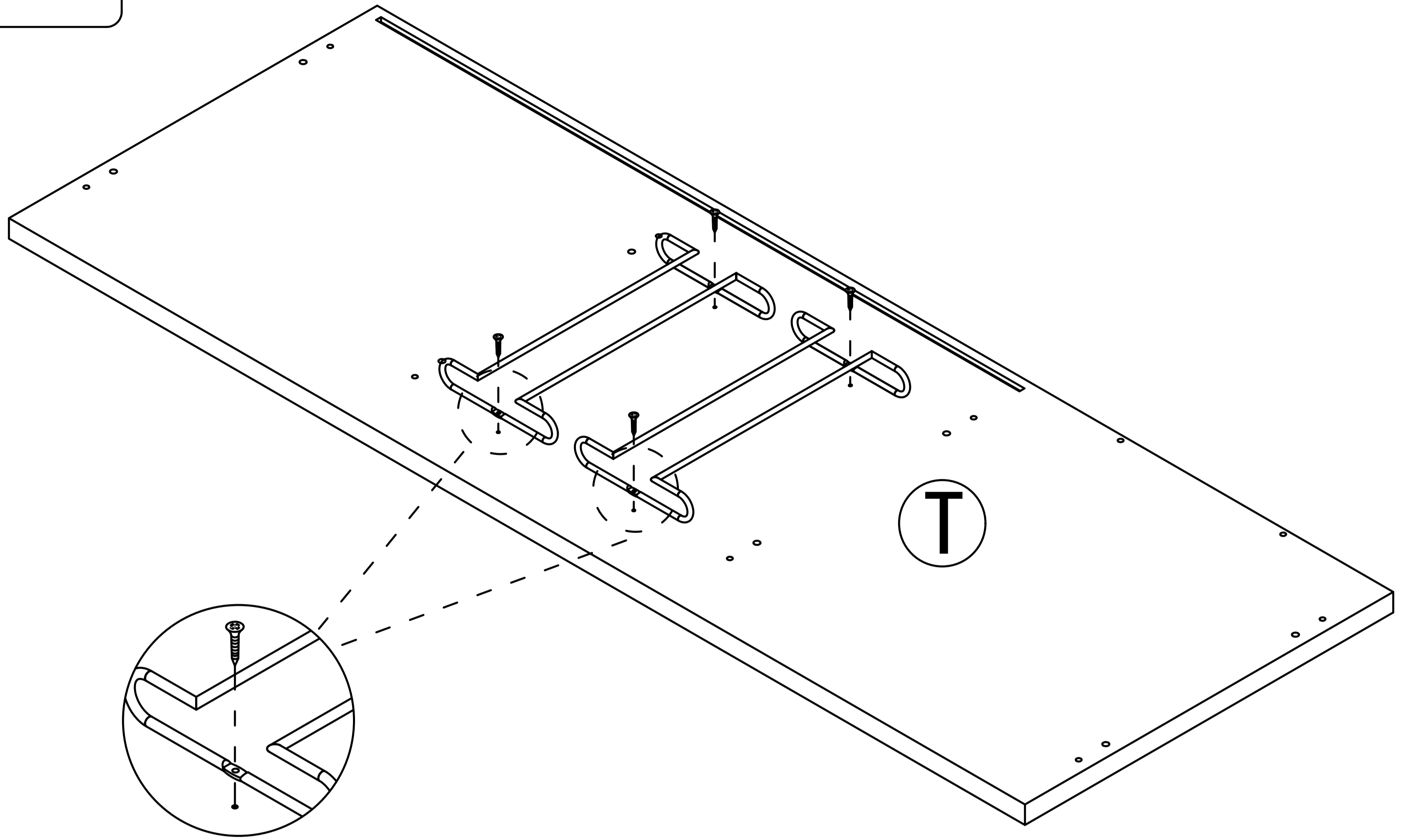
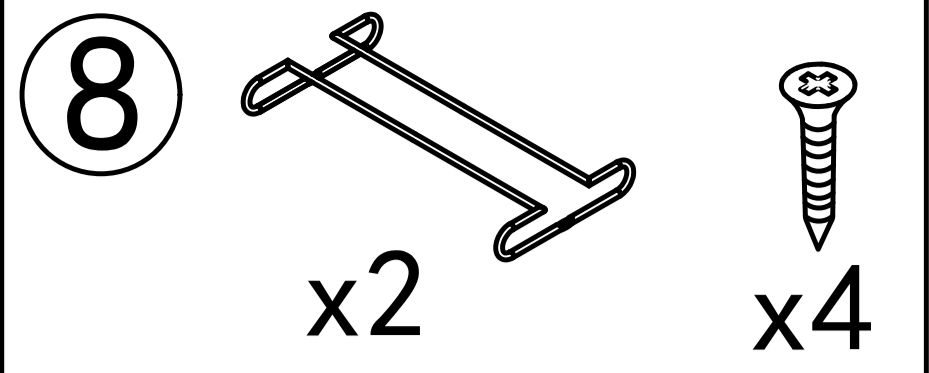
Step 34

Place the "R" board, Backboard card strip, and "R" board in order

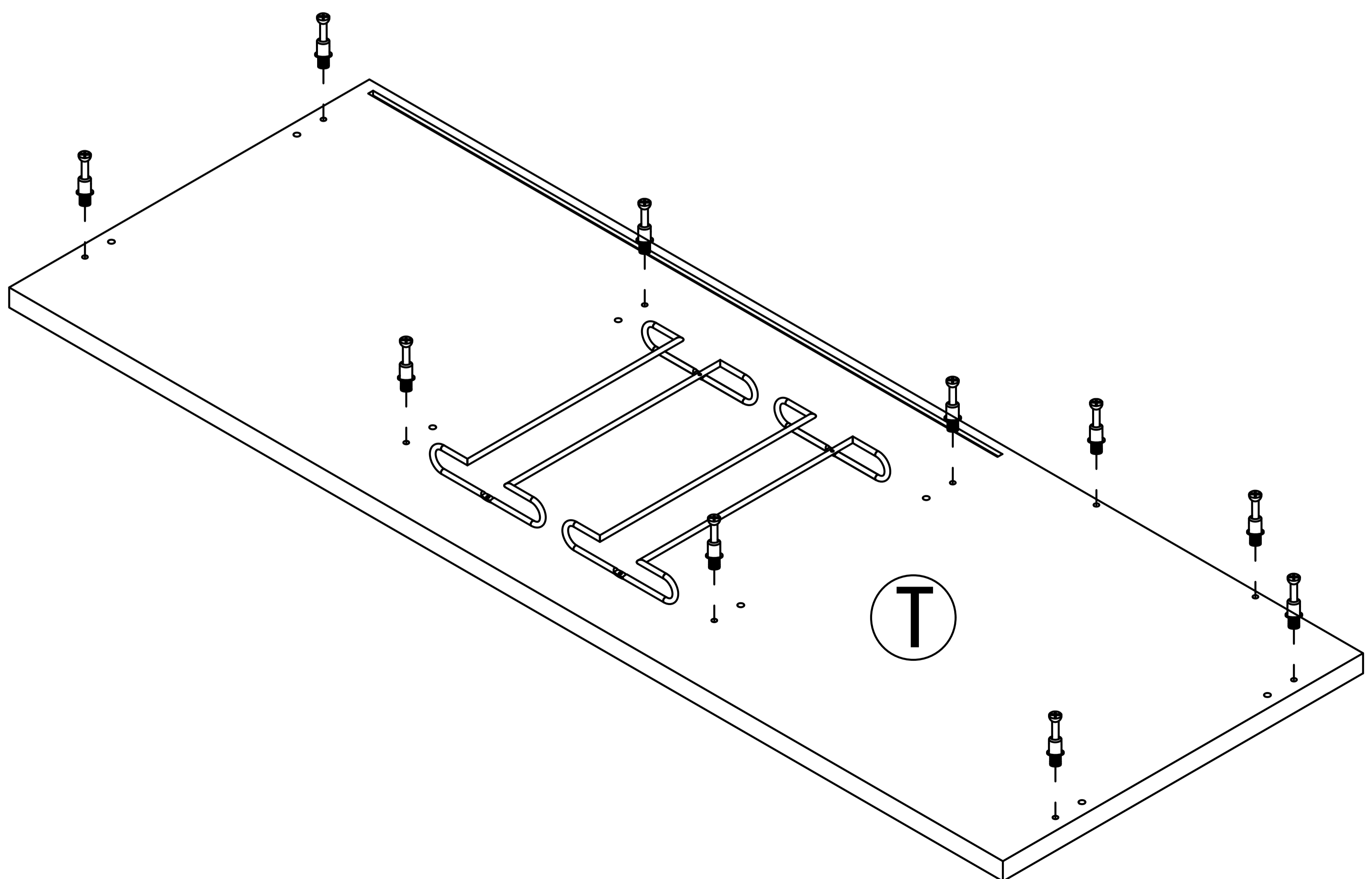
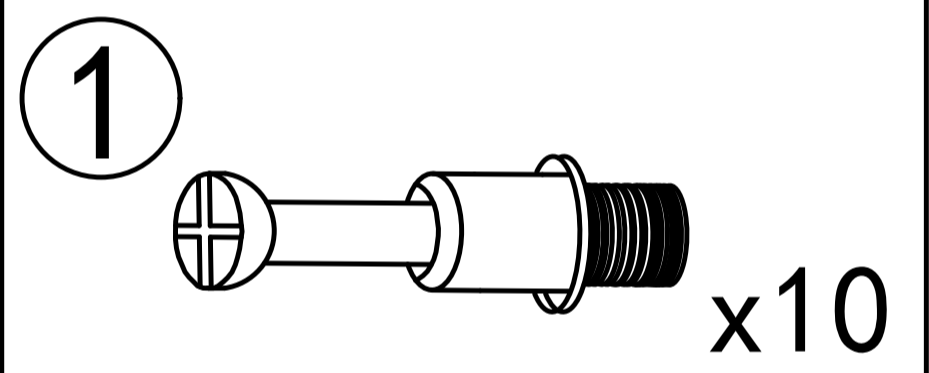
- ③  x8
- ⑦  x1



Step 35

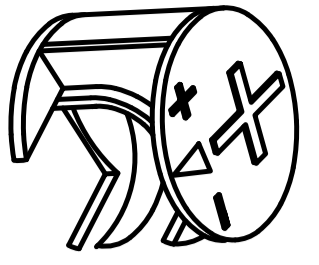


Step 36

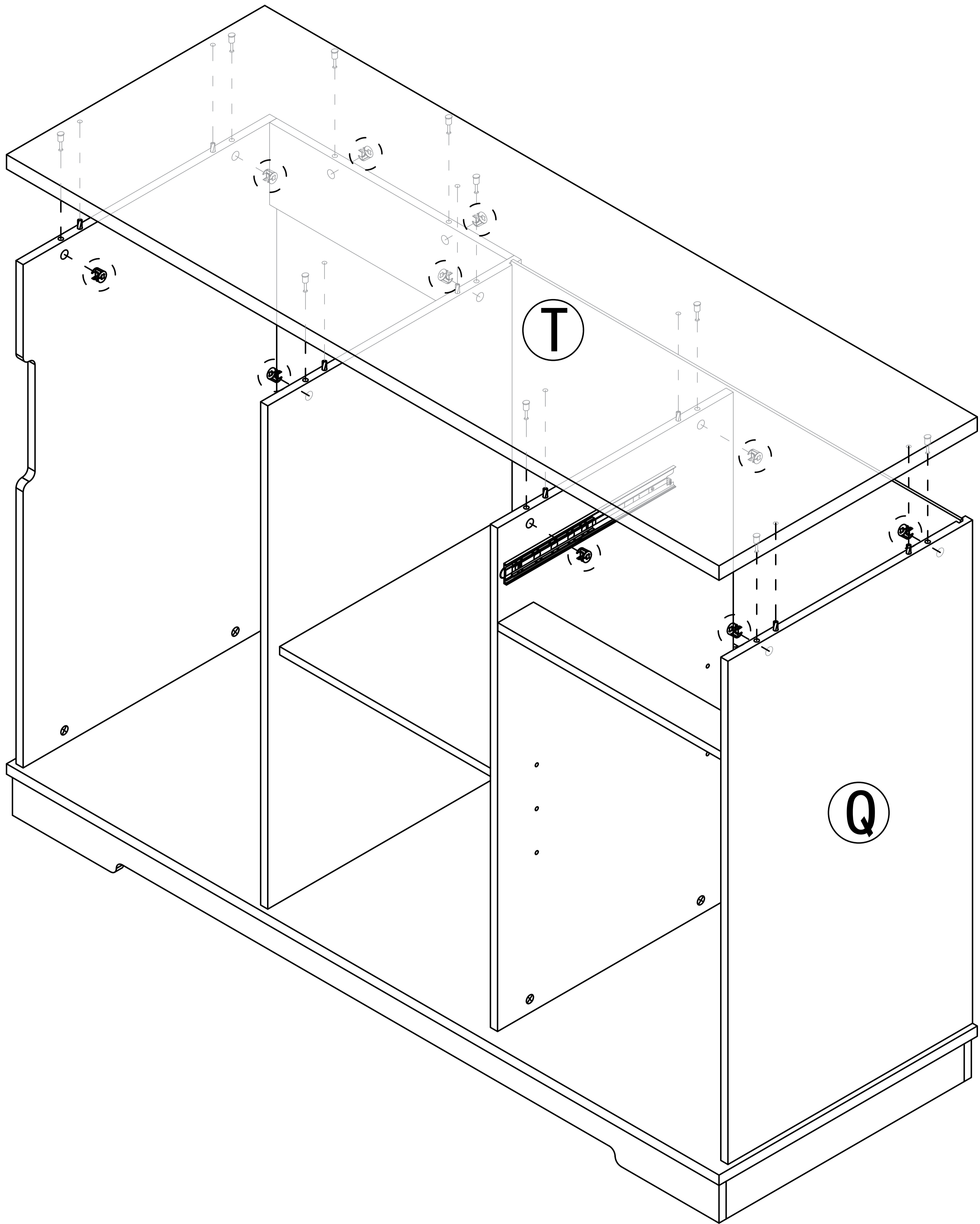


Step 37

2

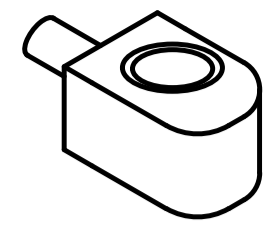


x10

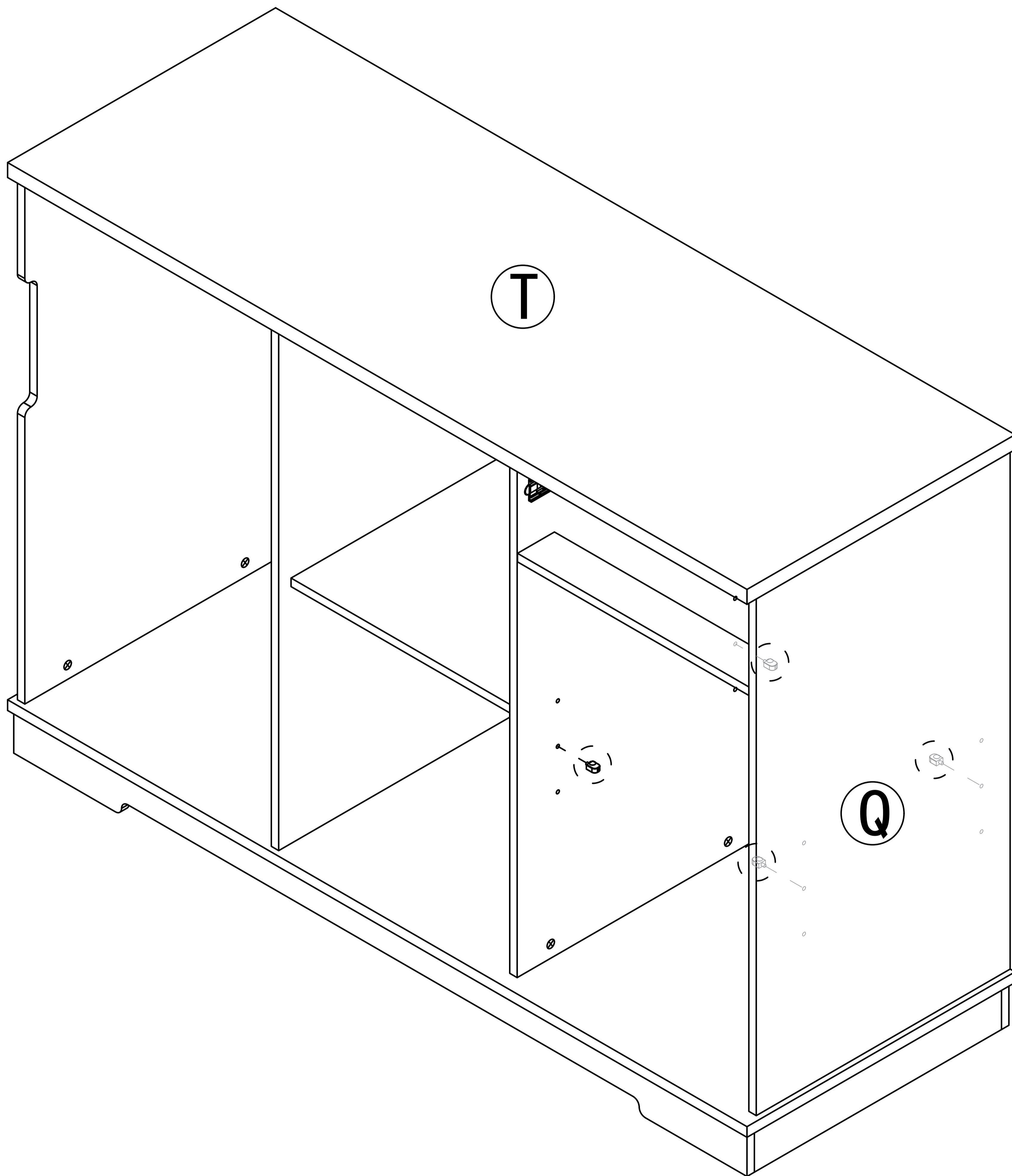


Step 38

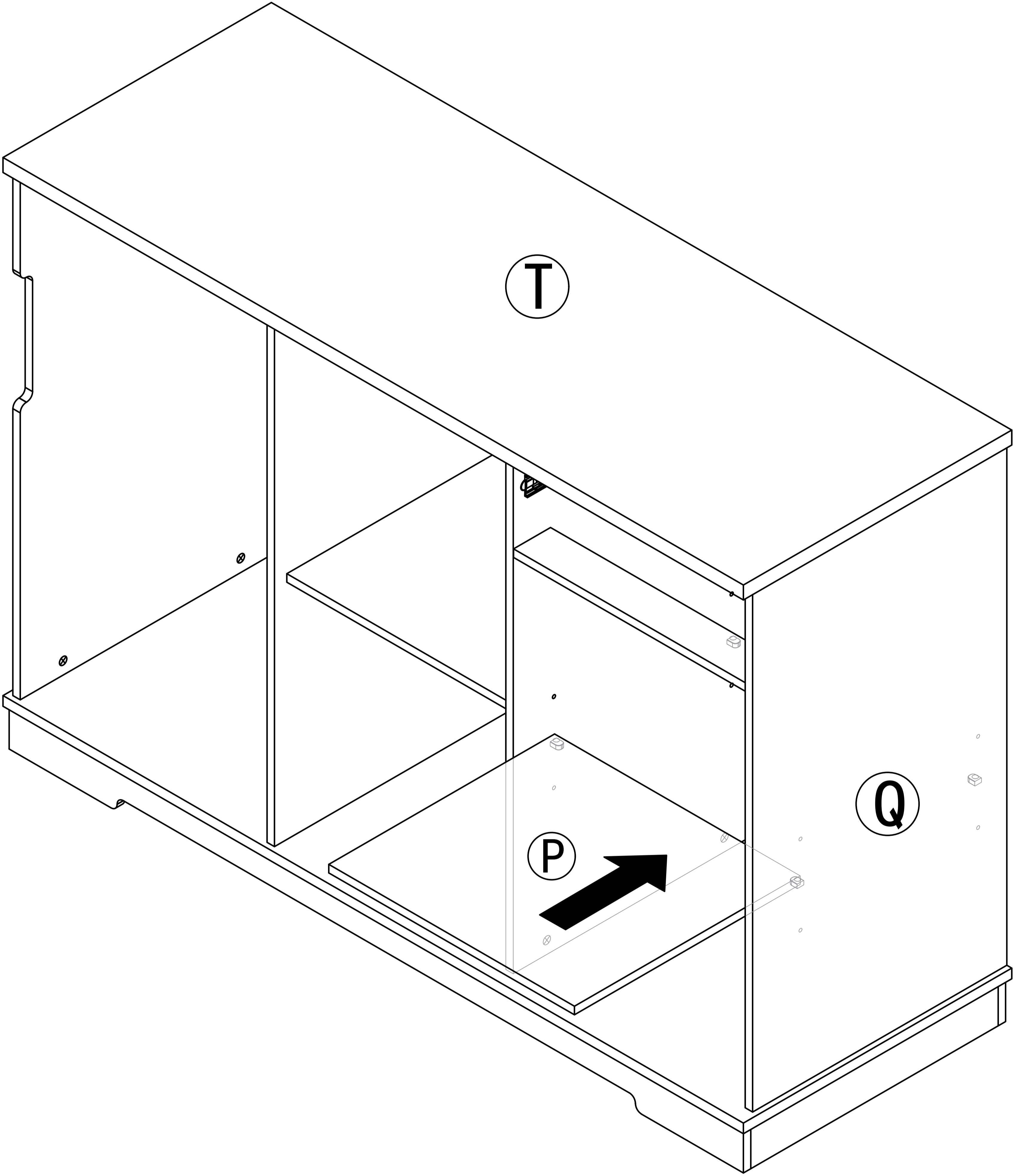
9



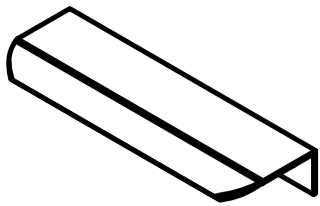
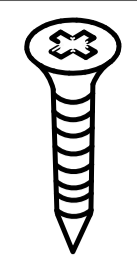
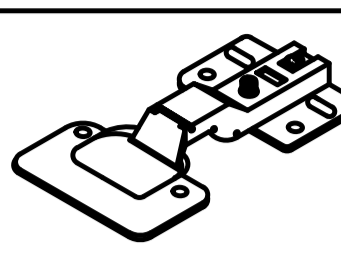
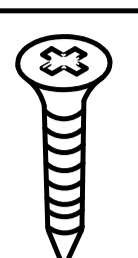
x4

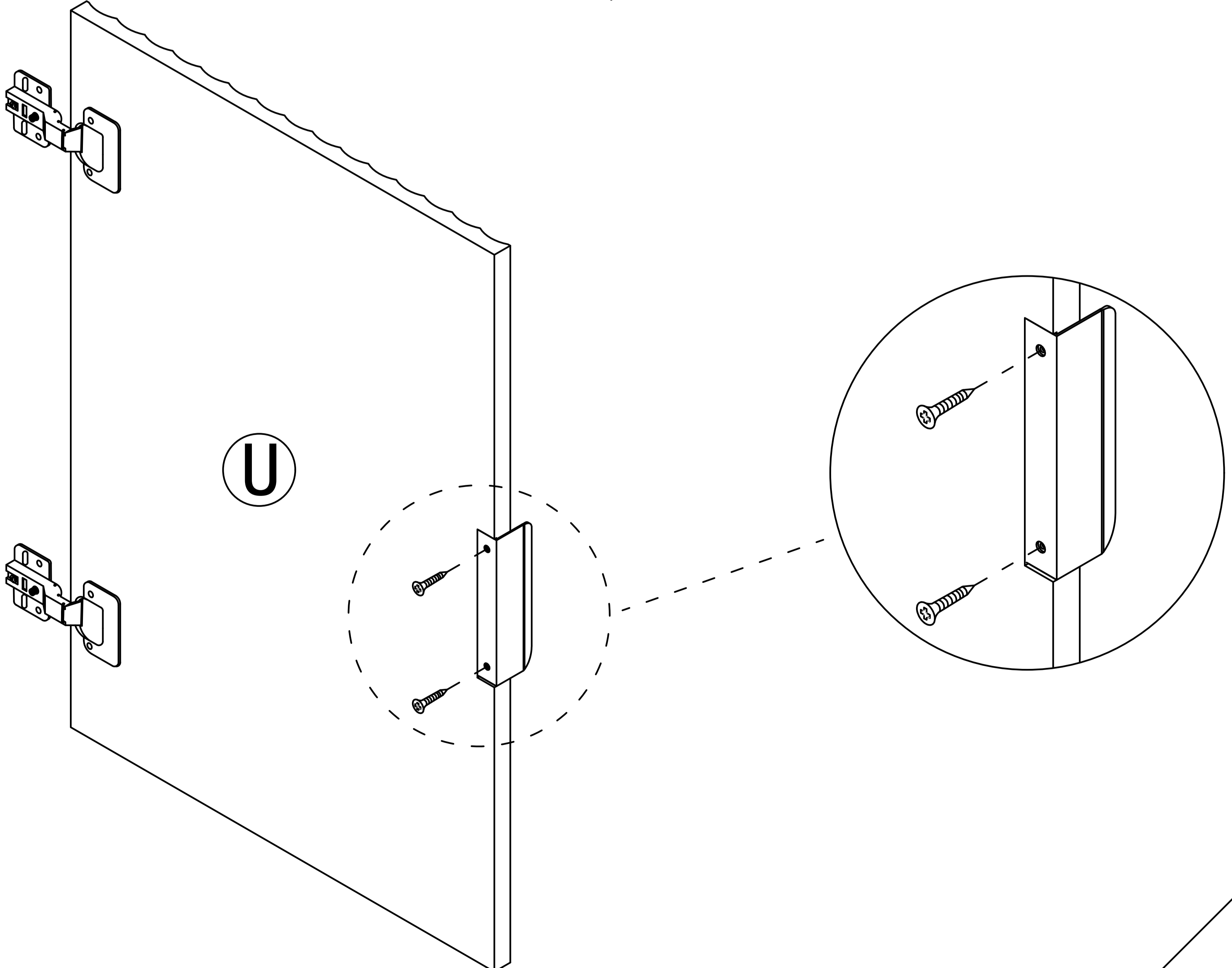
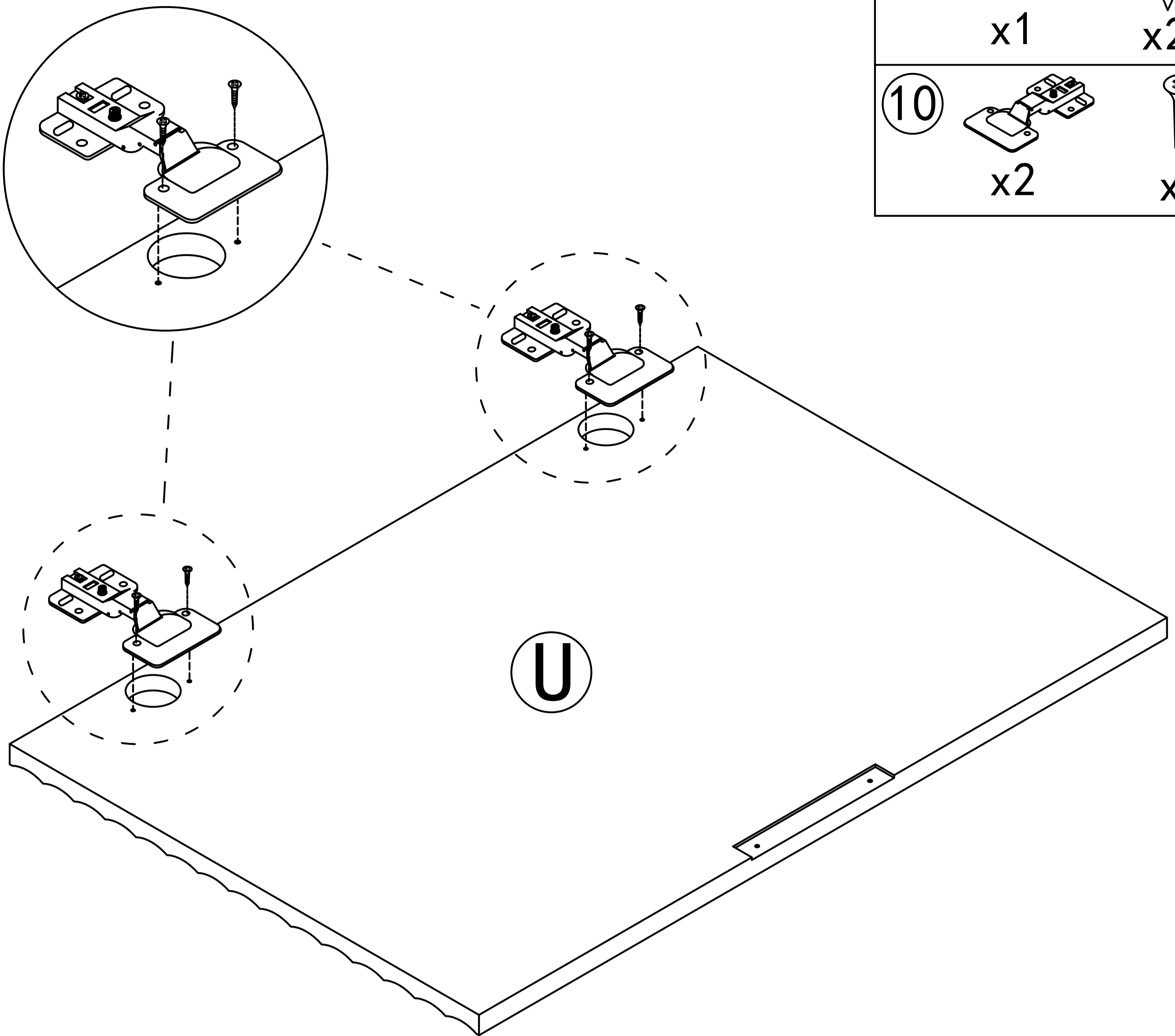


Step 39

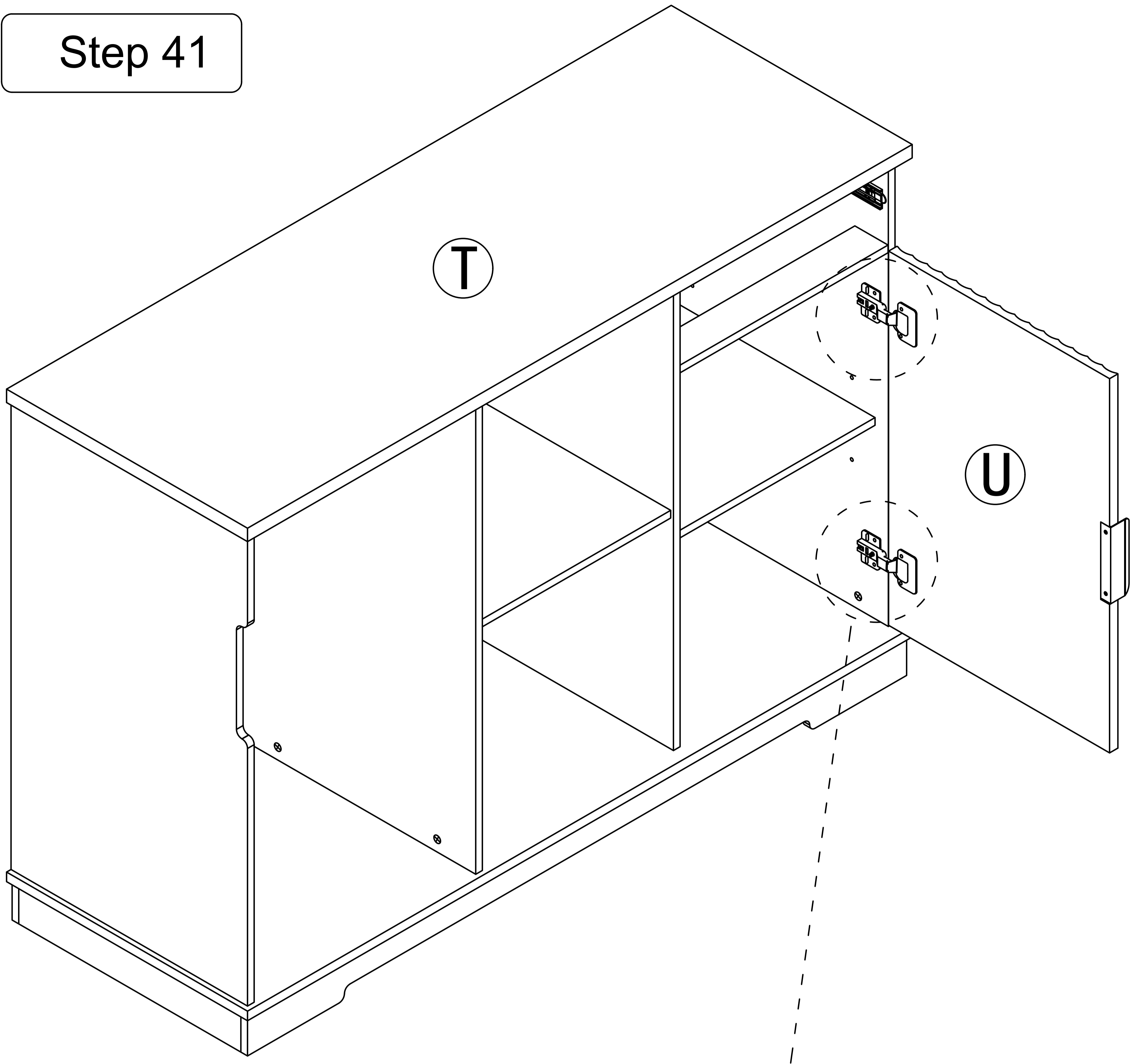


Step 40

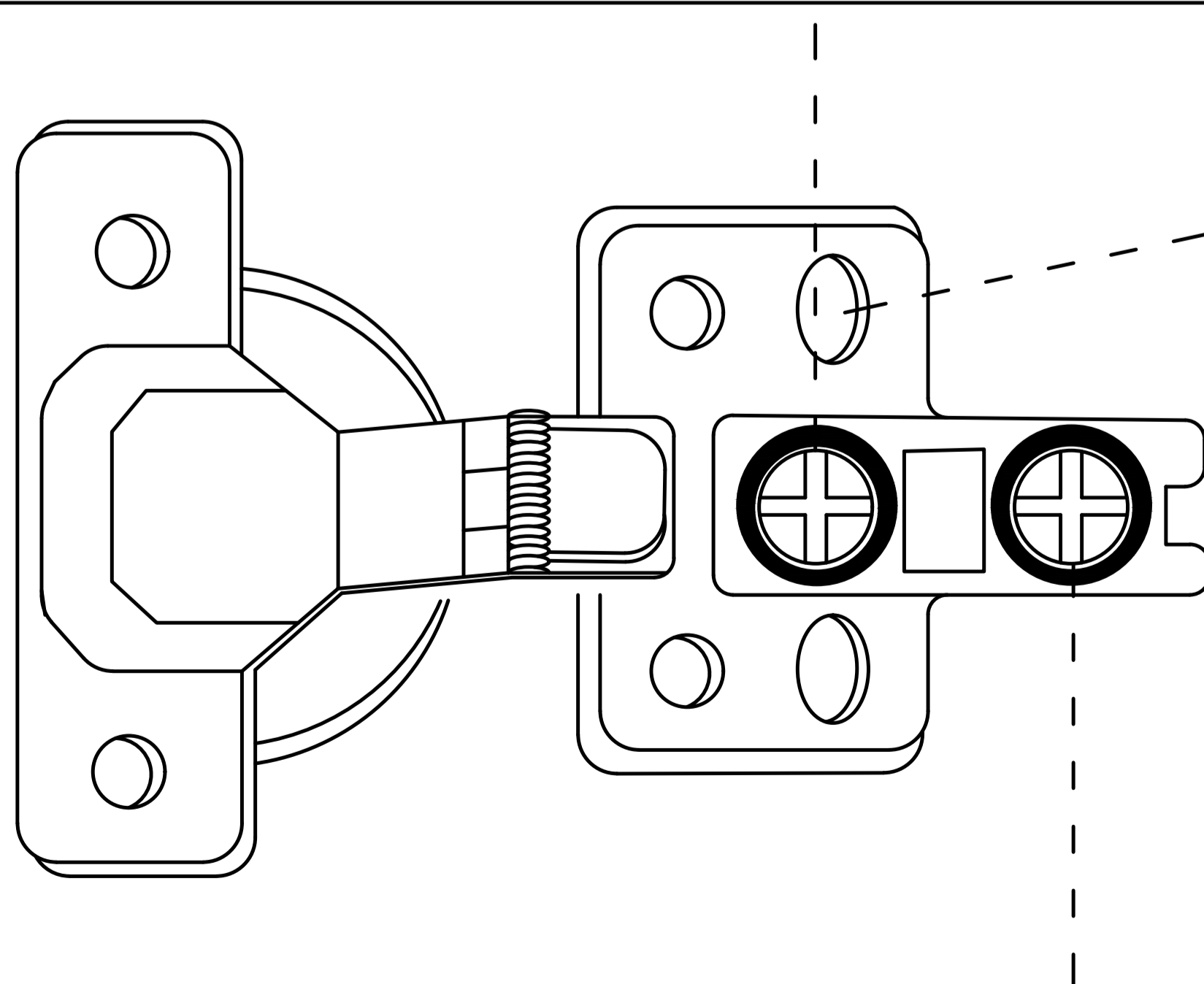
- | | | |
|----|---|---|
| 5 |  |  |
| | x1 | x2 |
| 10 |  |  |
| | x2 | x4 |



Step 41



Turning this screw can effectively adjust the size of the door gap.

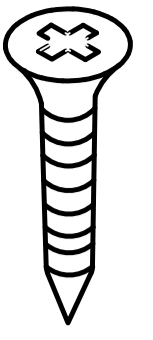


Adjust hole control the up and down height of the door

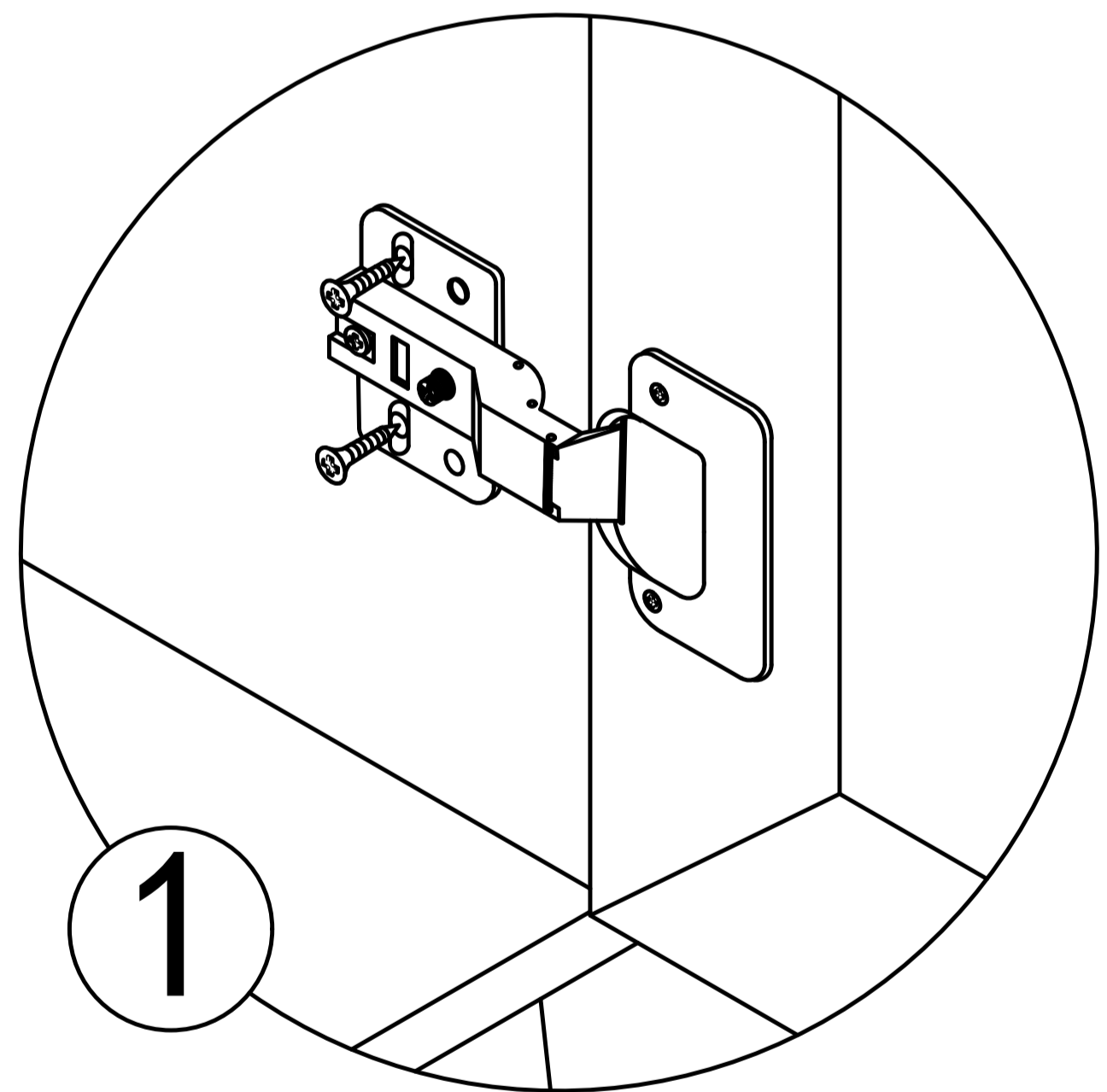
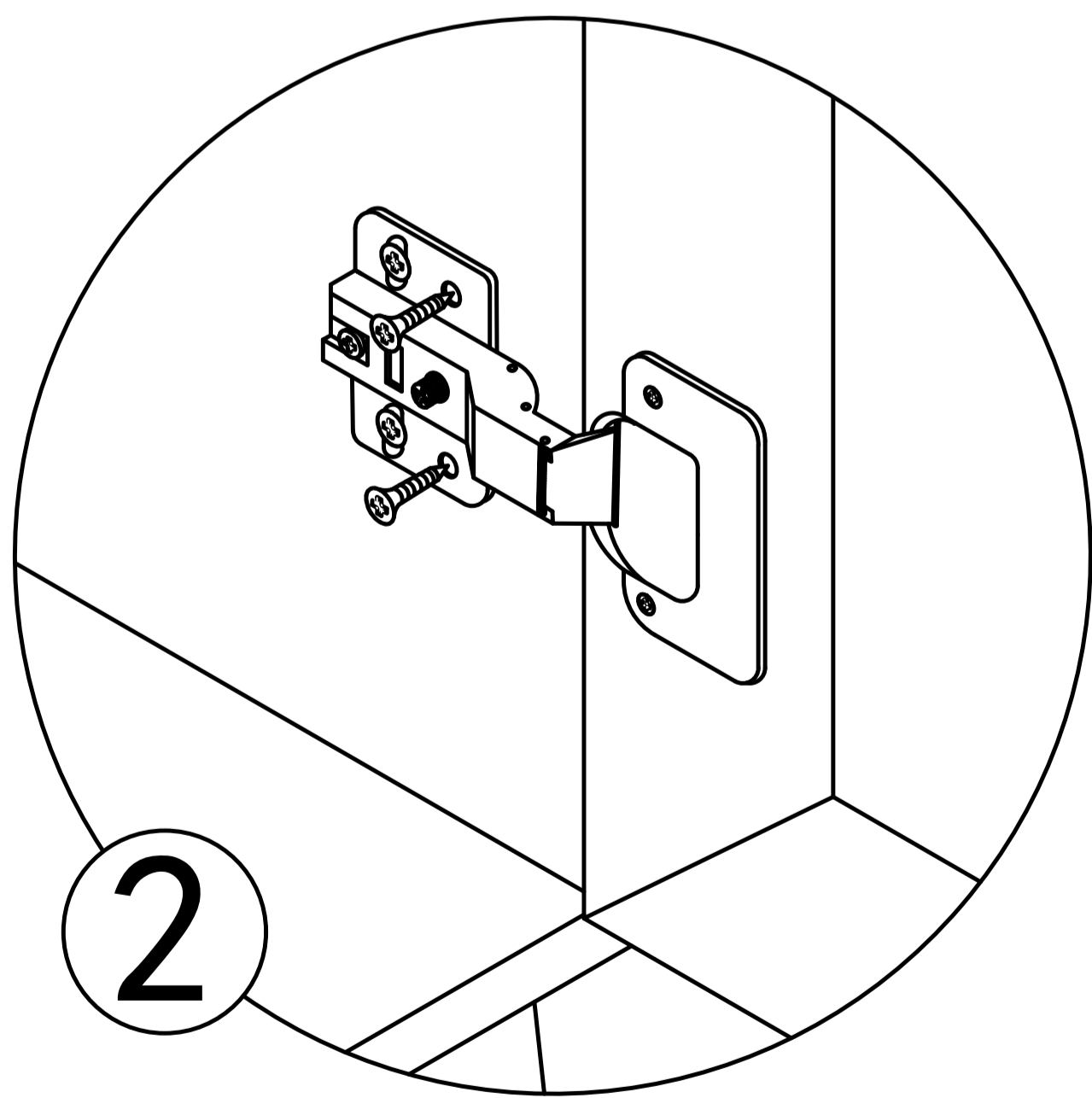
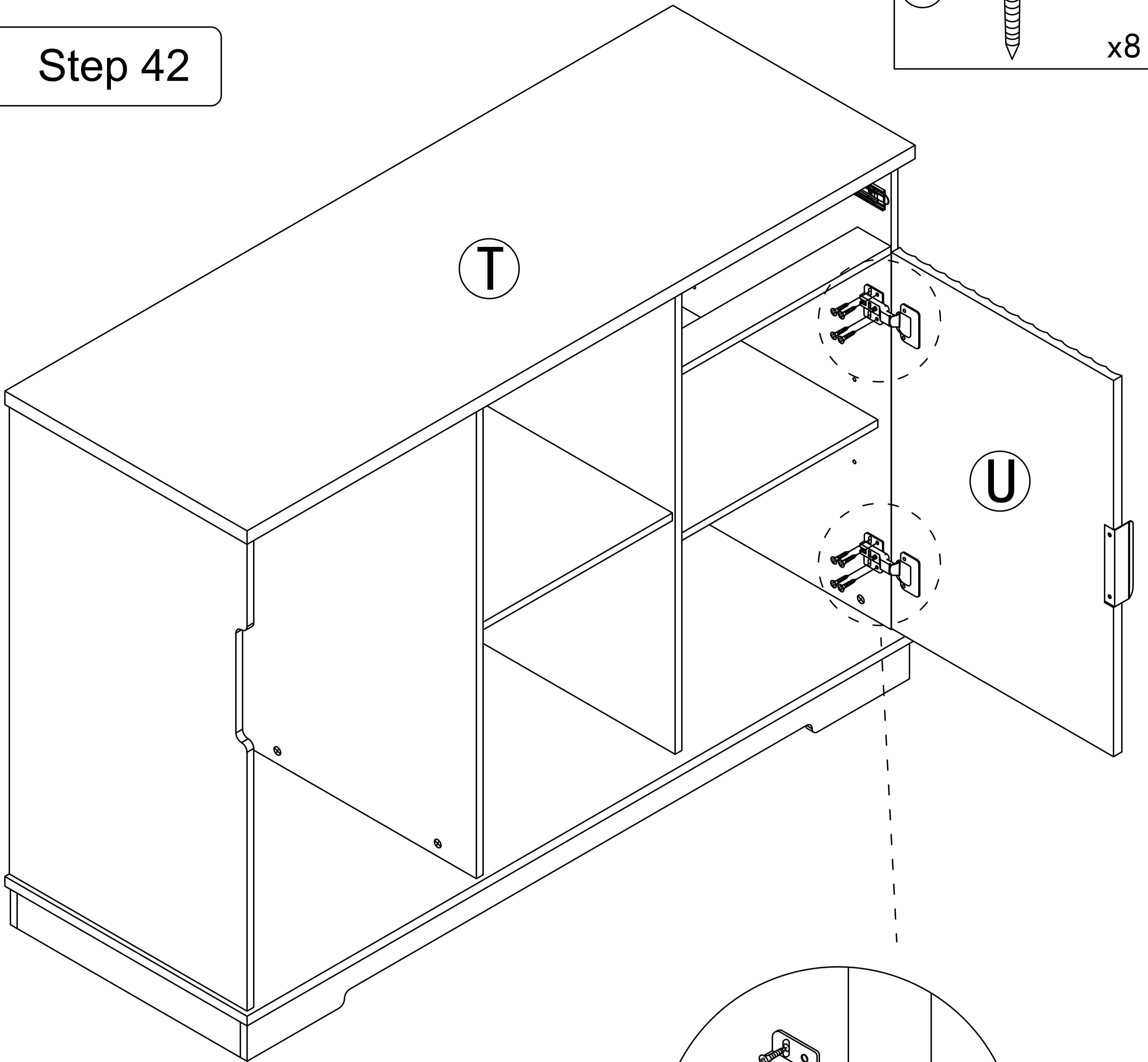
Turn this screw to adjust the door panel to be flat with the side panel.

Step 42

10

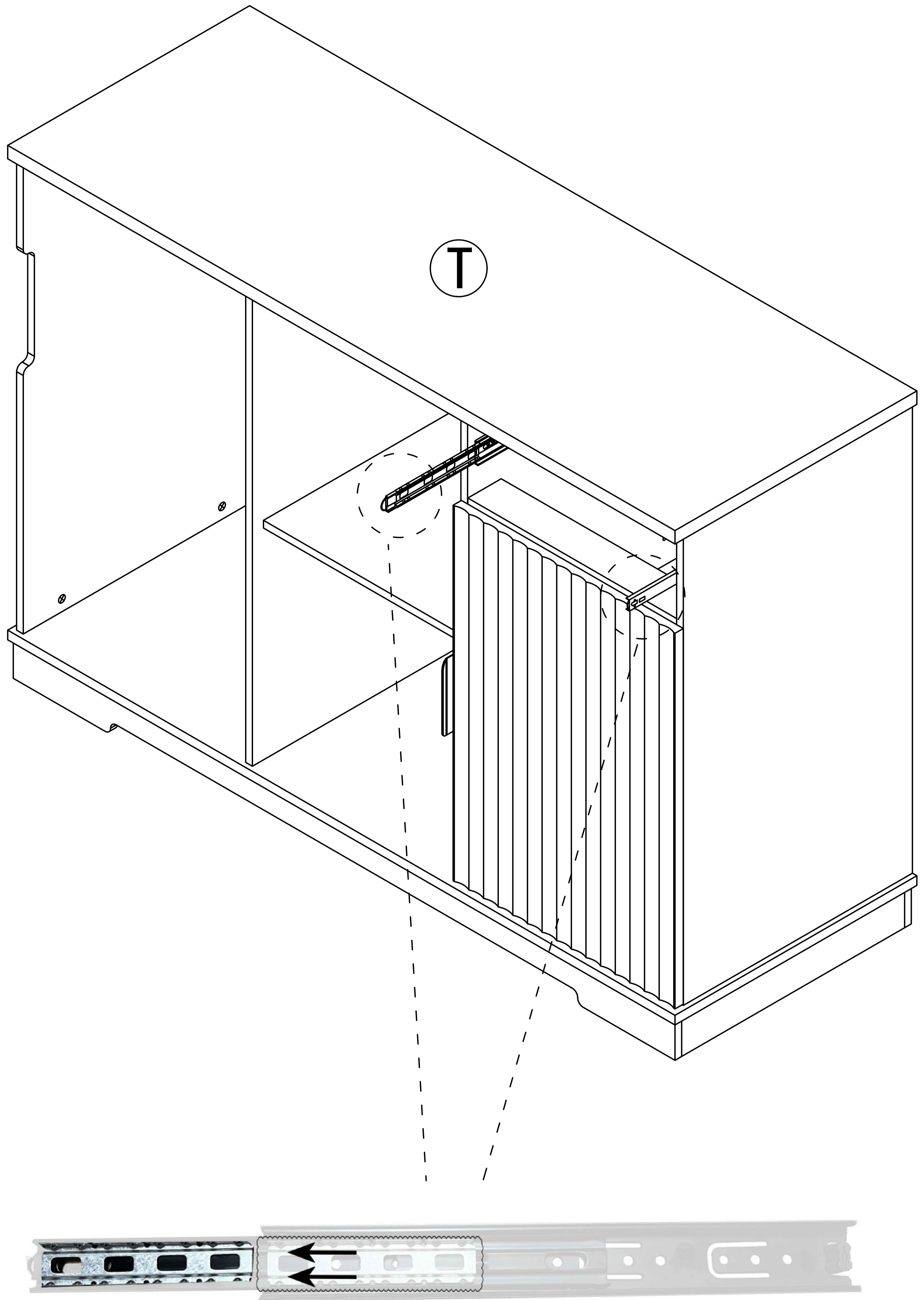


x8



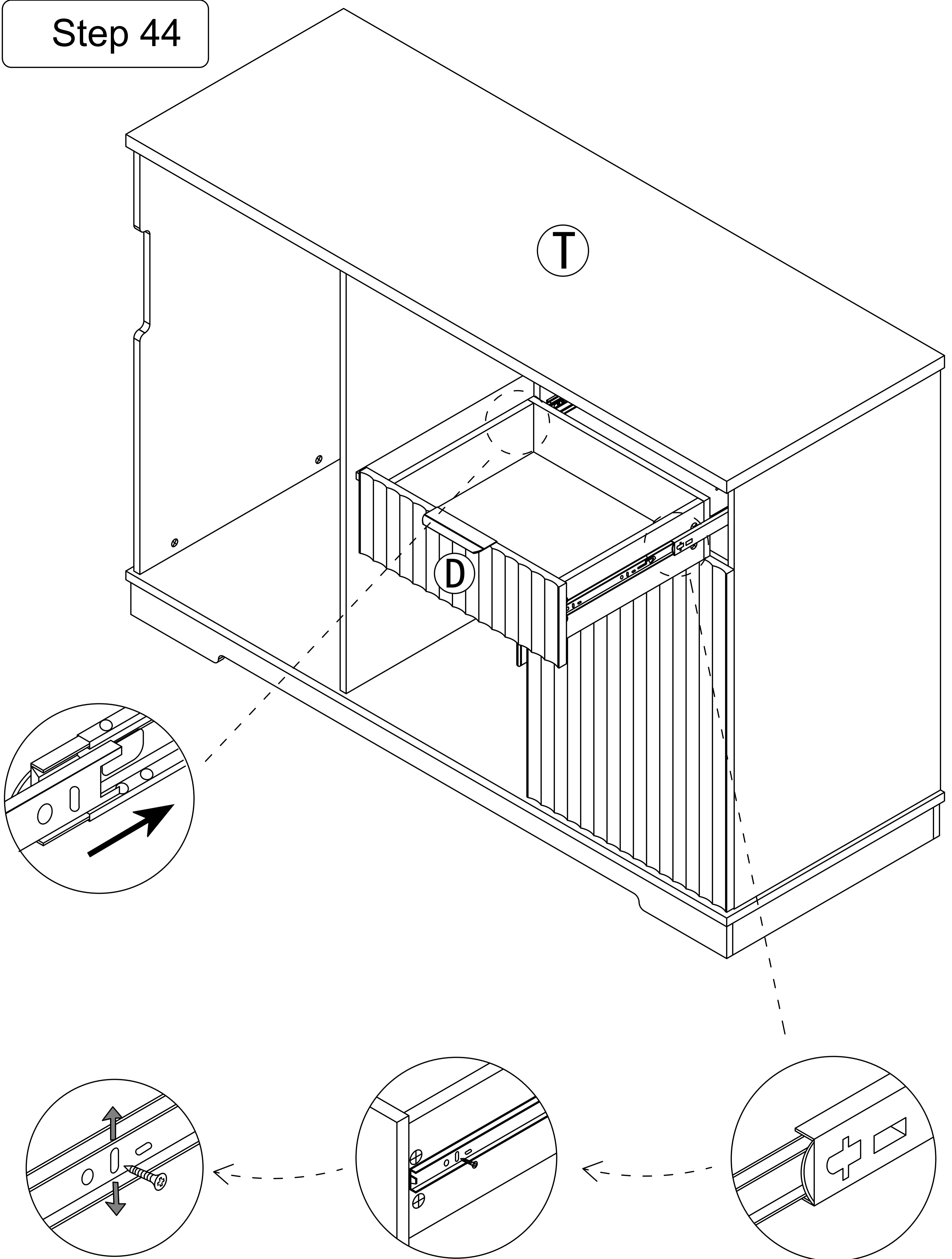
First lock the elliptical hole
then lock the fixed hole

Step 43



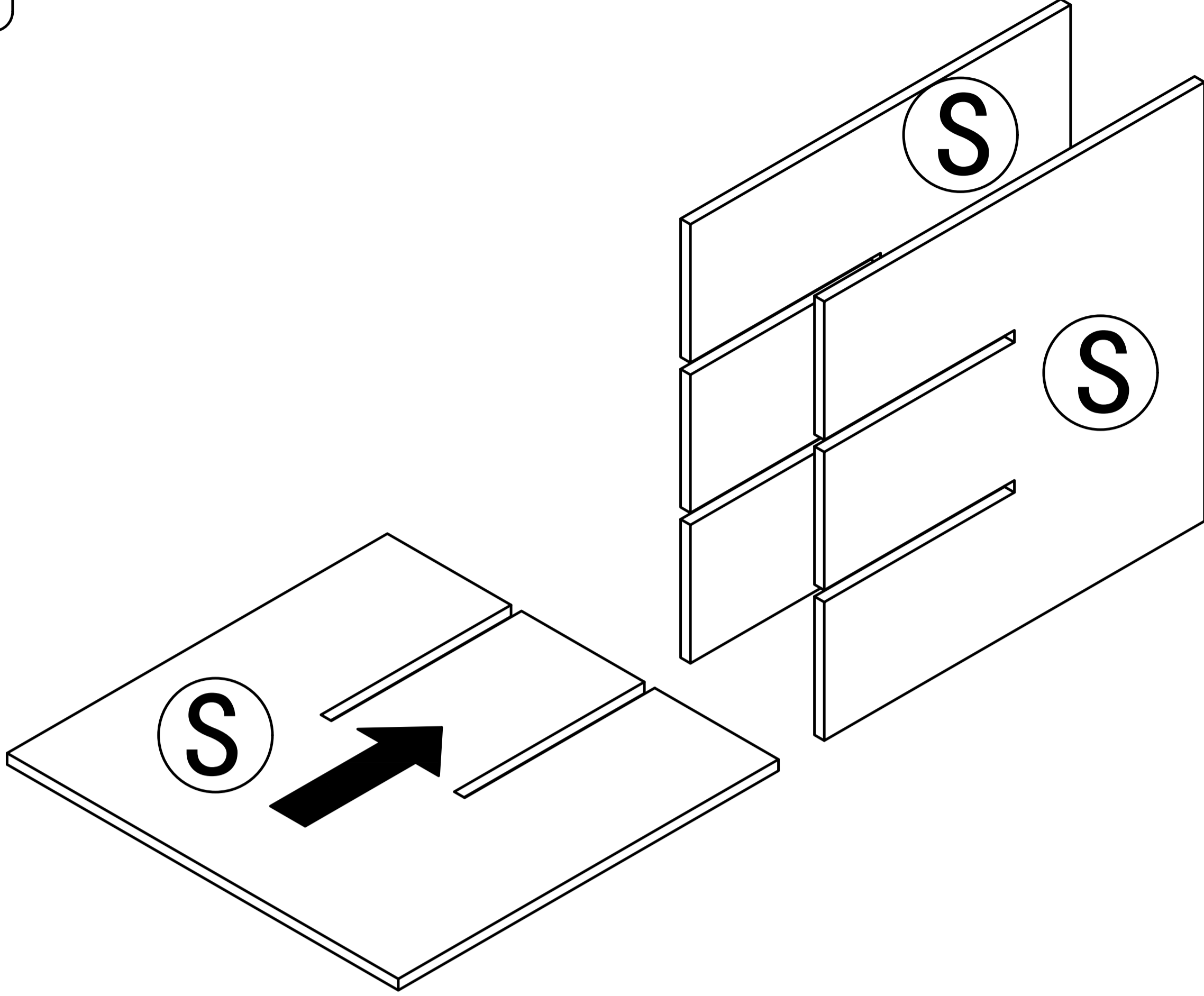
As shown, When installing the drawer,
pull the guide rail out first, Slide beads are also pulled out.

Step 44

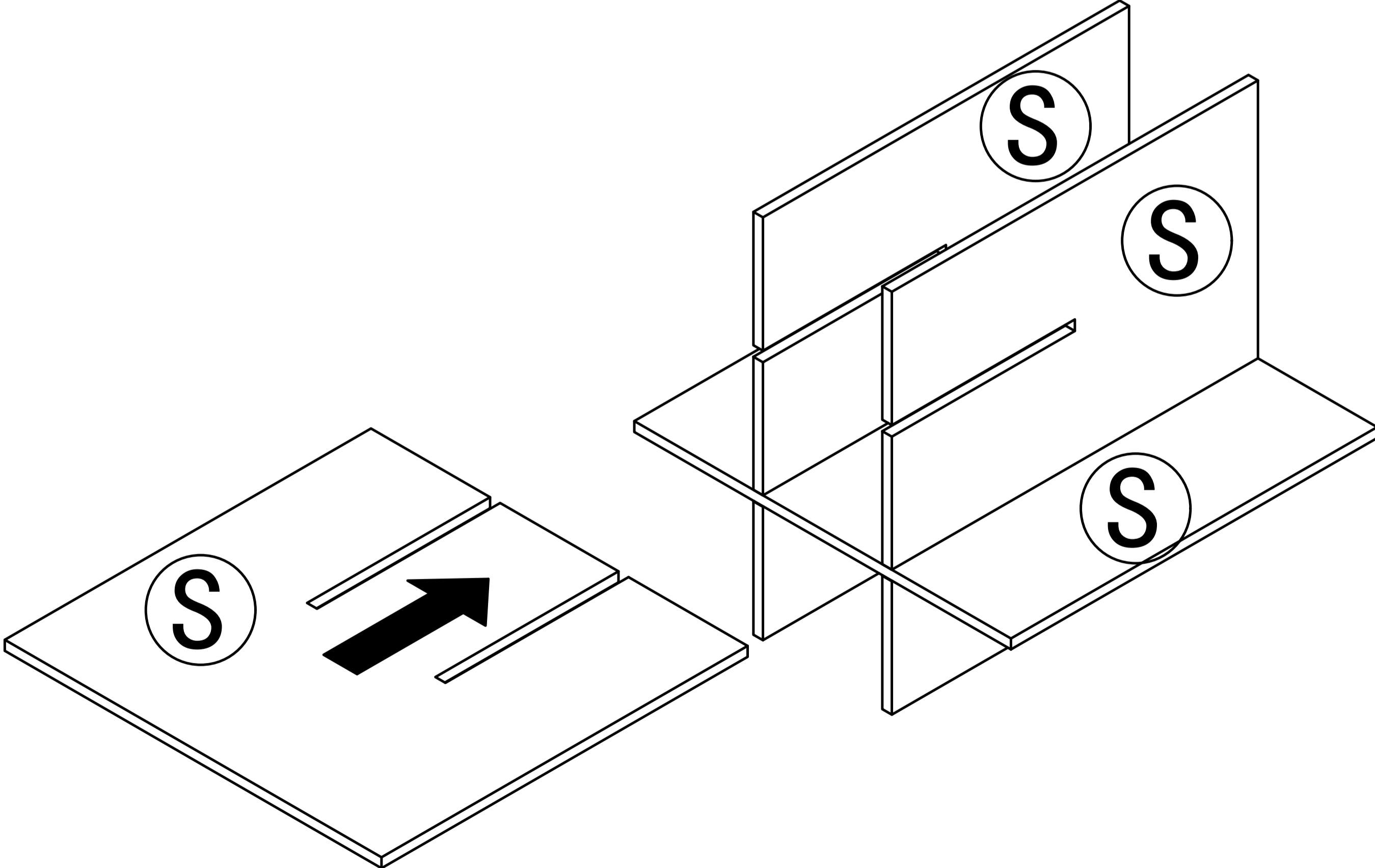


If a large gap is found after installing the drawer the slide rail can be moved up and down to adjust the gap

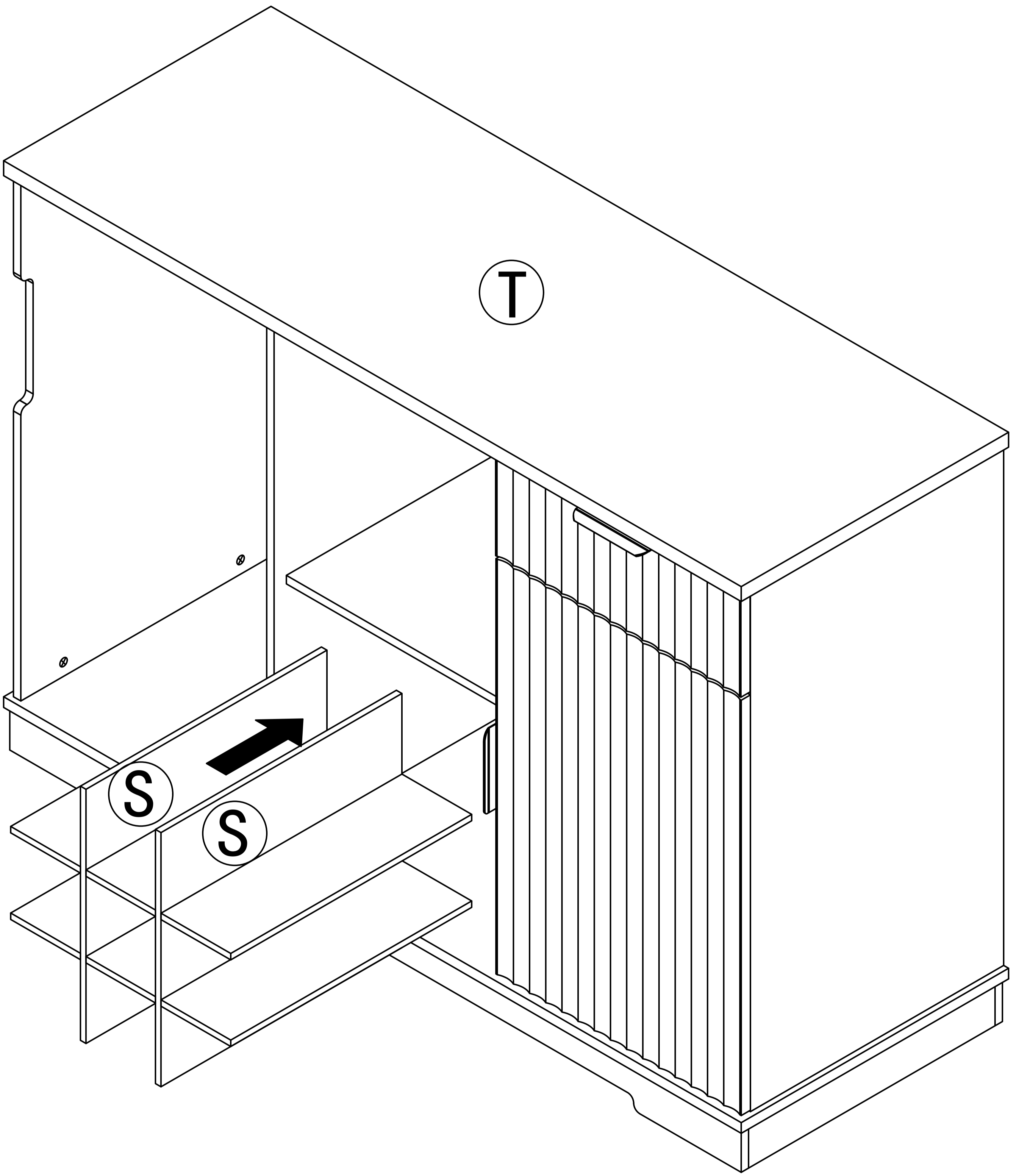
Step 45



Step 46

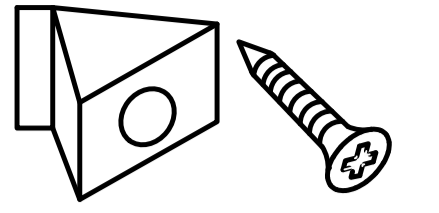


Step 47



Step 48

11



x12

