

ASSEMBLY INSTRUCTIONS





DESCRIPTION: SERVER

Read instruction carefully prior to assembly .

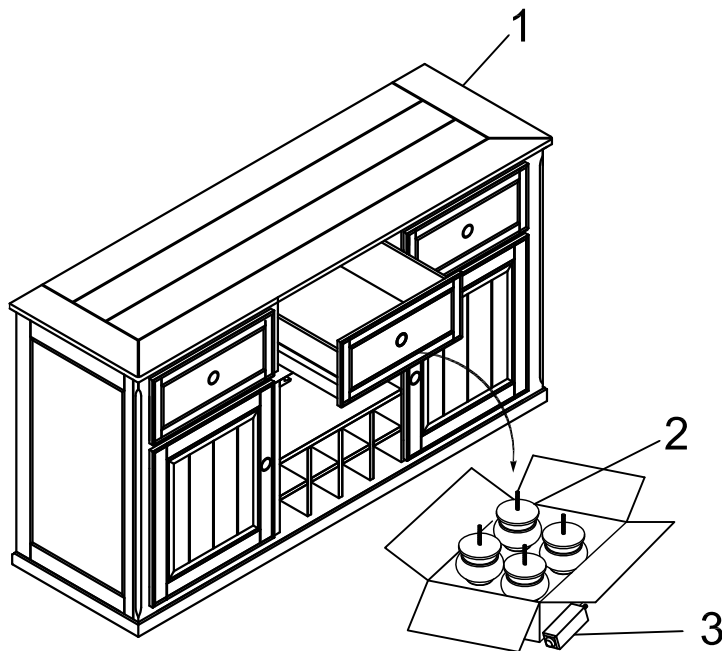
Thank you for purchasing this quality product. Check carefully for small parts which may have come loose during shipment.

Remove all components from pack and place table top upside down on soft surface such as carpet or cloth to prevent scratching the finish. Identify and count all parts as specified below.

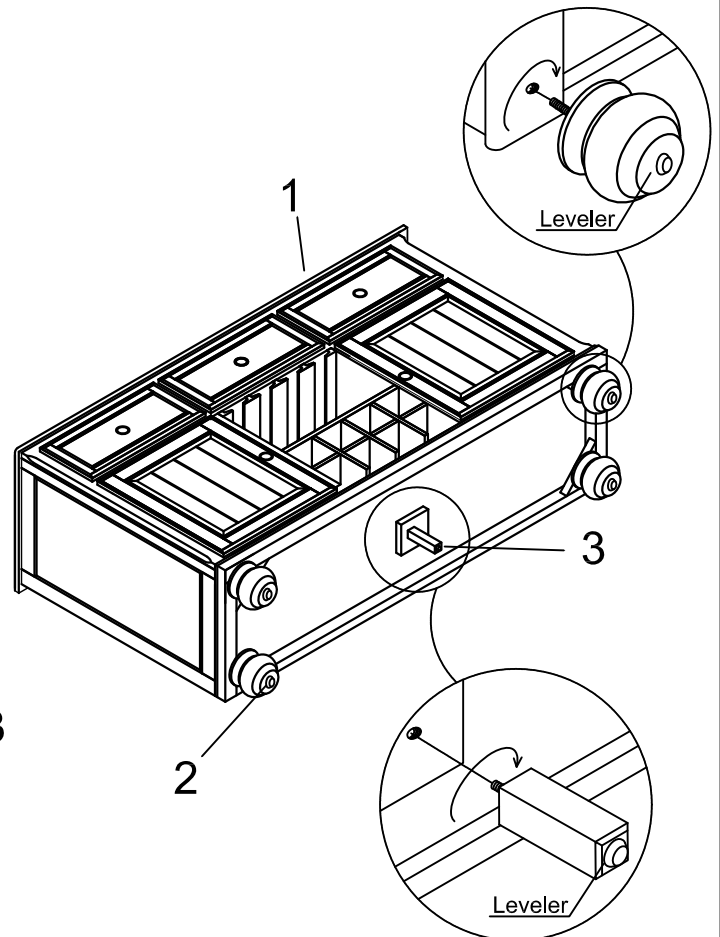
Do not tighten bolts until assembly is complete

NO.	HARDWARE PACK		Q' TY	NO.	PARTS LIST		Q' TY
A		ANTI-TIPPING HARDWARE PACK	1SET	1		SERVER	1PC
				2		LEG	4PCS
				3		SUPPORT LEG	1PC

STEP: 1



STEP: 2

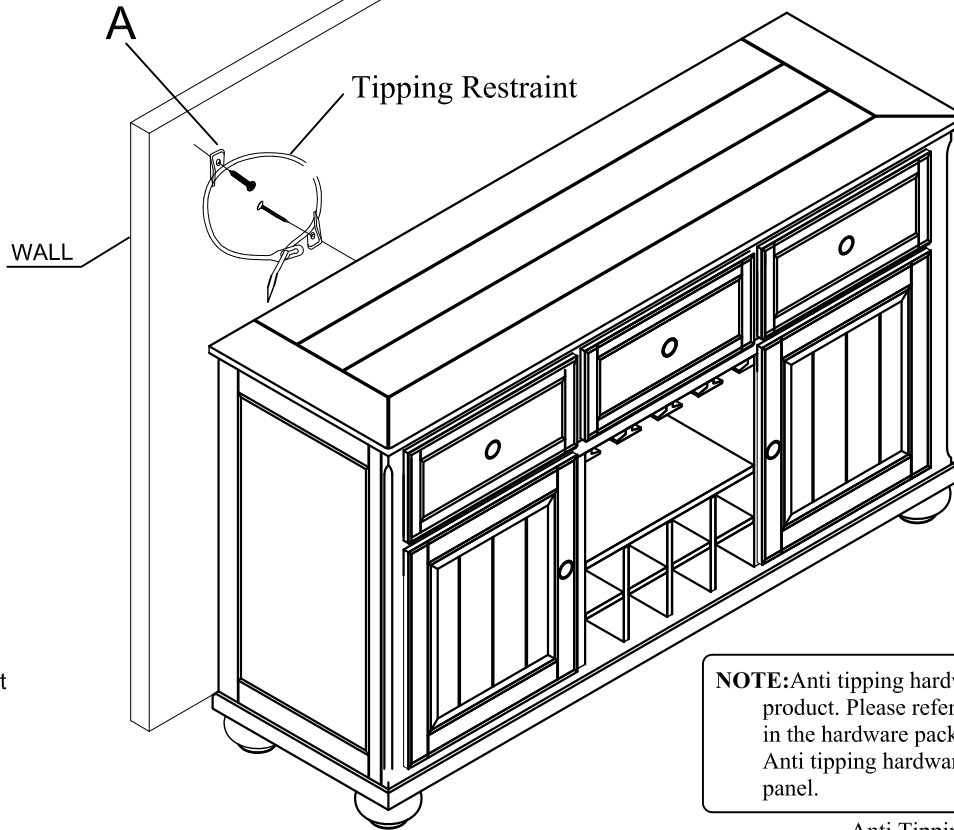


ASSEMBLY INSTRUCTIONS

DESCRIPTION: SERVER

STEP: 3

This anti-tipping kit must be attached to a wall using the provided long screws .

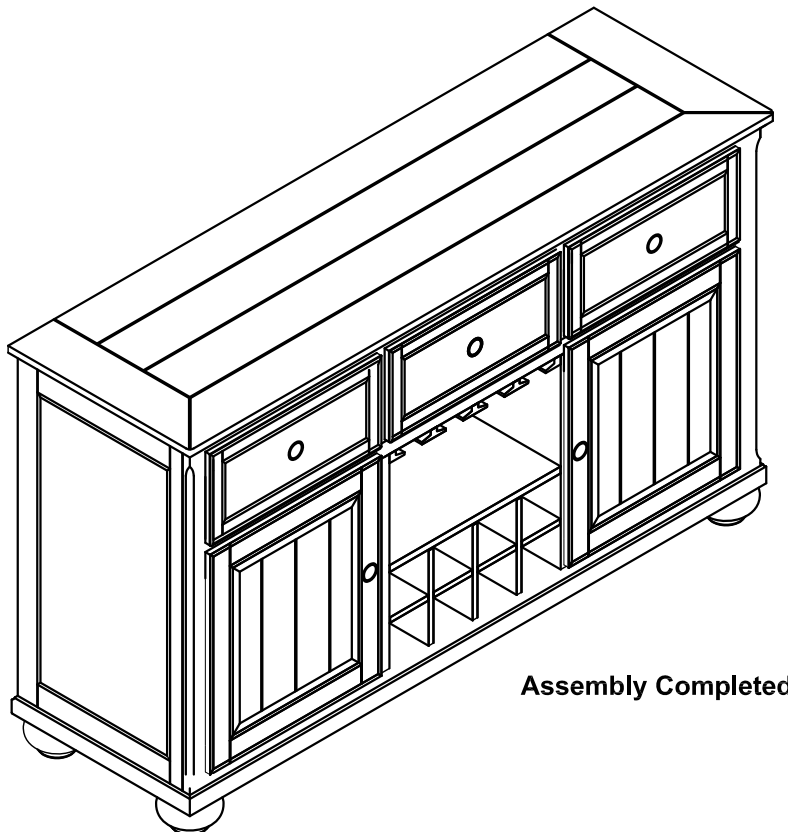


Anti Tipping Kit

NOTE:Anti tipping hardware kit comes with this product. Please refer to the installation instruction in the hardware pack.
Anti tipping hardware pack is located on the back panel.

STEP: 4

Anti Tipping Kit
Une trousse anti- basculement



Assembly Completed