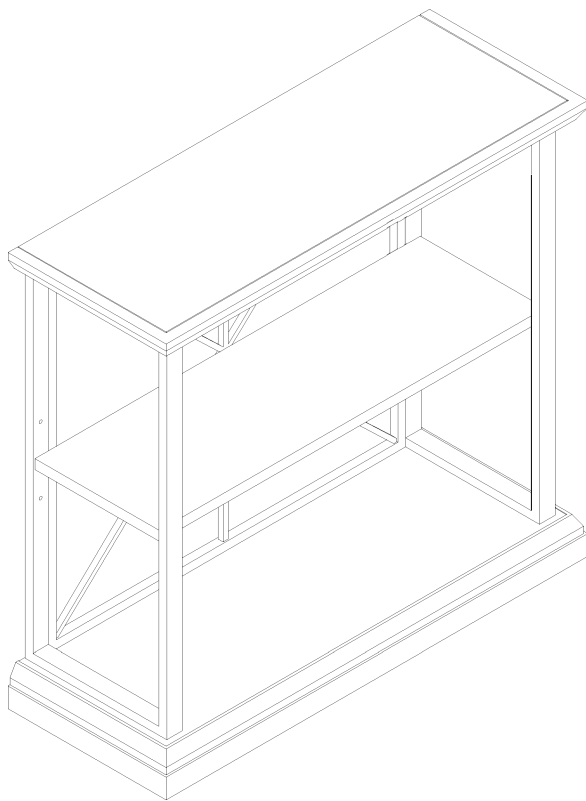


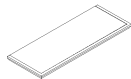



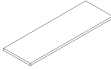
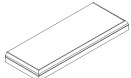




## Assembly Instructions, Bookcase

**Note:**

*A packet with complete set of hardware can be found by pulling the red ribbon that's easily visible upon opening the box.*

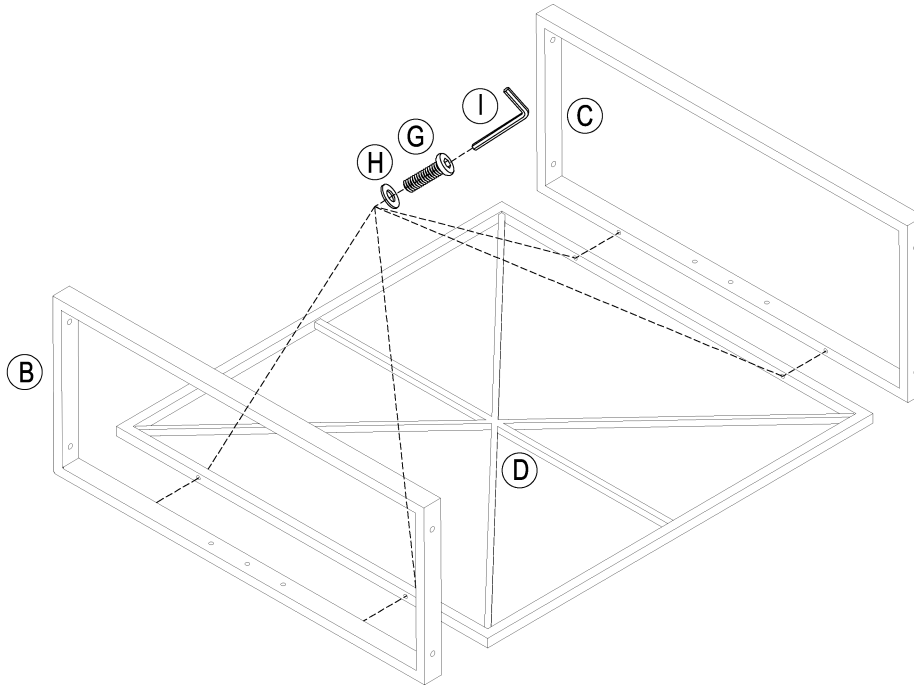


### Parts List

A: Top Panel		1
B: Left Side Frame		1
C: Right Side Frame		1
D: Back Frame		1
E: Adjustable Shelf		1
F: Bottom Panel		1
G: Bolts		12
H: Flat Washers		12
I: Allen Wrench		1
J: Shelf Supports		4

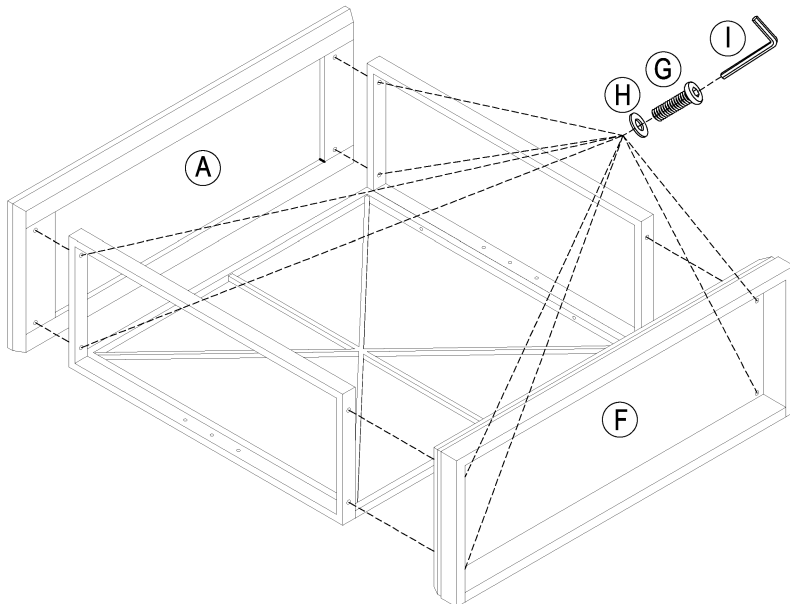
## Step 1

- 1.1 Place the back frame (D) onto a soft surface.
- 1.2 Align the back frame's holes to left and right side frames' inserts.
- 1.3 Fasten back frame onto two side frames (B & C) with 4 bolts and flat washers.



## Step 2

- 2.1 Fasten the top (A) with 4 bolts and flat washers.
- 2.2 Fasten bottom panel (F) with 4 bolts and flat washers.



## Step 3

- 3.1 Insert the shelf supports (J) and place the shelf (E) on shelf supports.

