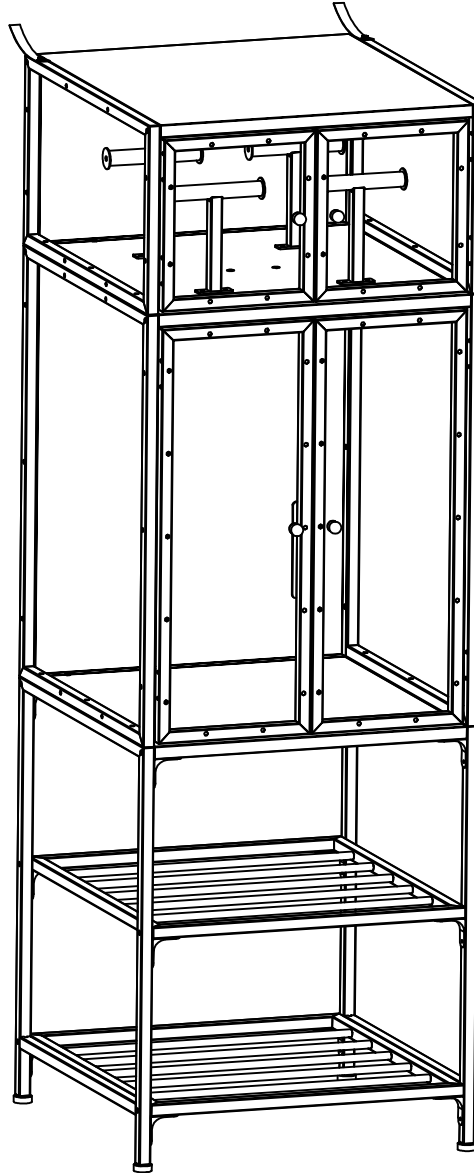
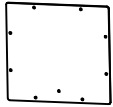
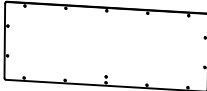
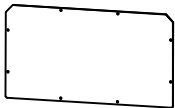
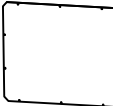


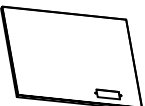

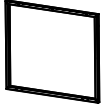

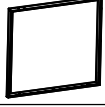




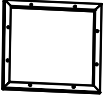

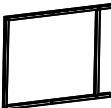



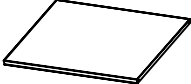

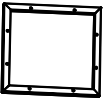

Installation Manual

3D Printer Cabinet



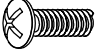






Parts List

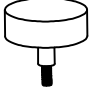
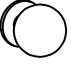
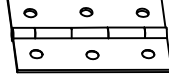




Number	Parts	Quantity
1		2PCS
2		2PCS
3		2PCS
4		2PCS
5		4PCS
6		1PC
7		1PC
8		1PC
9		1PC
10		1PC
11		1PC
12		1PC
13		1PC

Number	Parts	Quantity
14		1PC
15		1PC
16		2PCS
17		2PCS
18		1PC
19		12PCS
20		1PC
21		2PCS
22		1PC
23		1PC

Hardware List

- Carefully remove all the parts from the carton and place them individually on a softcloth to prevent scratches or other damage.
- Carefully and strictly follow these assembly&installation instructions to ensure a completed product as designed.
- Do not tighten all the screws until each part is properly assembled.

Number	Parts	Quantity
A	 M6x14	24PCS
B	 M6x35	32PCS
C	 M8	1PC
D	 M4x10	110PCS
E	 M3x8	32PCS
F	 M4x8	4PCS
G		2PCS

Number	Parts	Quantity
H		4PCS
I		4PCS
J		8PCS
K		4PCS
L		2PCS
M	 M4x16	2PCS
N	 M6x20	2PCS

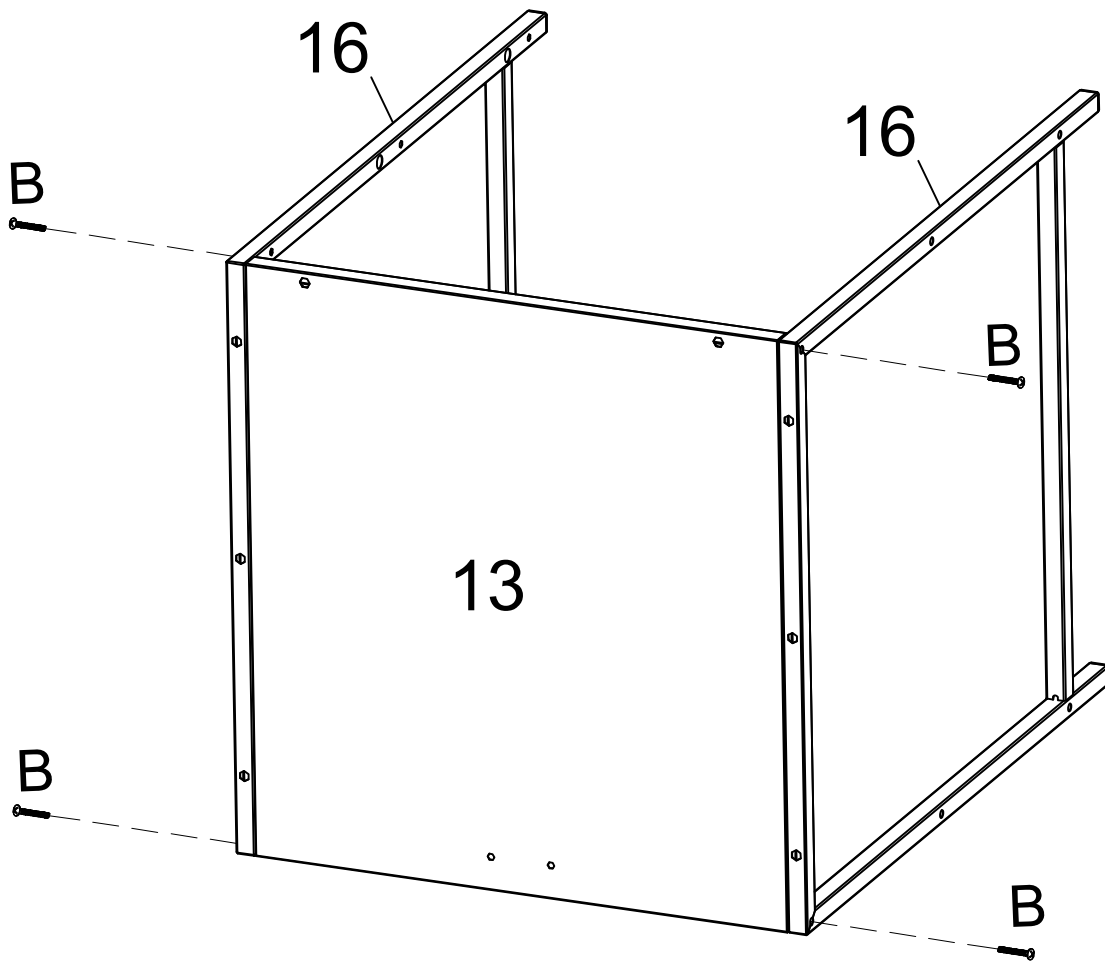
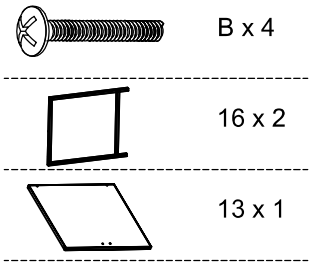
WARNING

FURNITURE TIPPING-OVER COULD RESULT IN INJURY OR DEATH TO THE INSTALLER.

ALWAYS SECURE THIS PRODUCT PERMANENTLY TO THE WALL.



Step 1



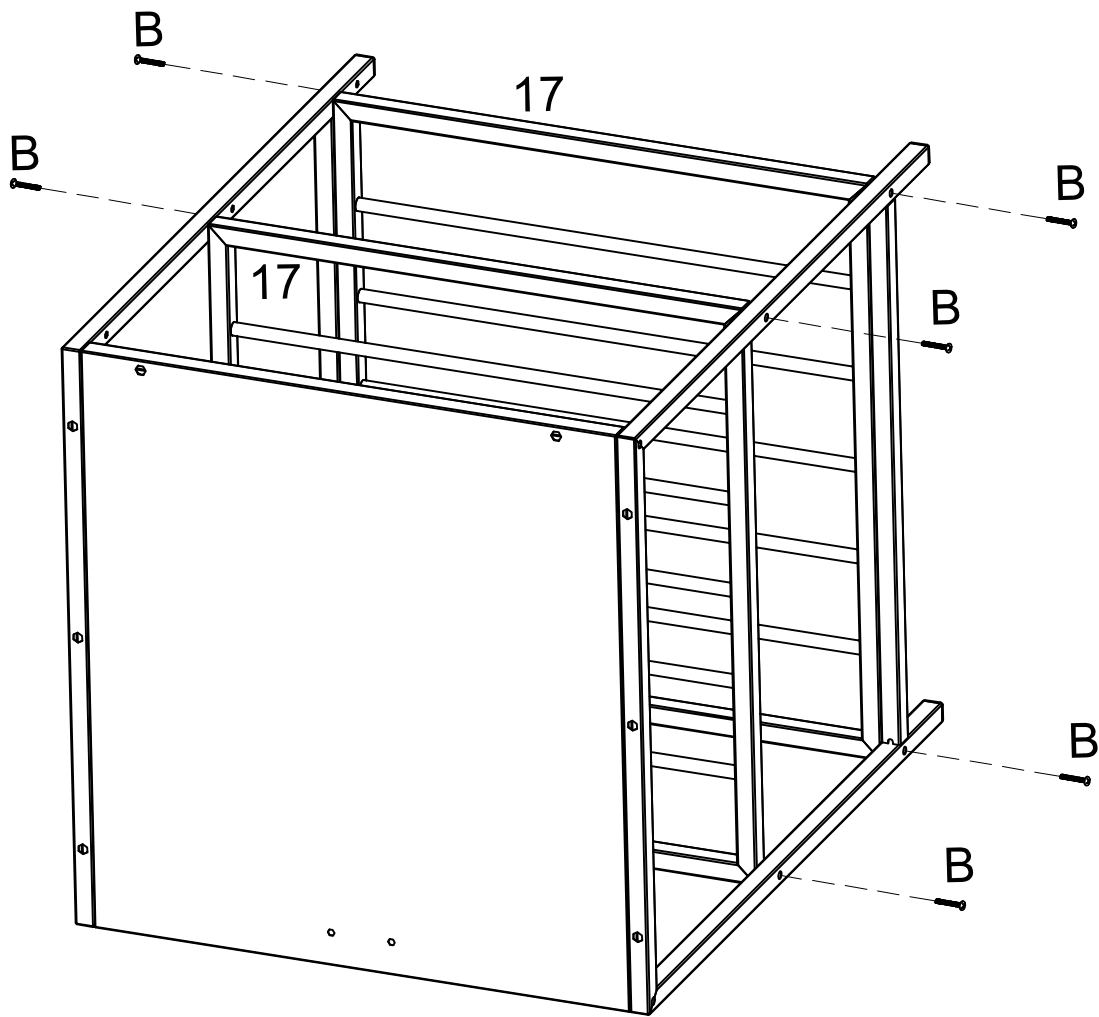
Step 2



B x 8



17 x 2



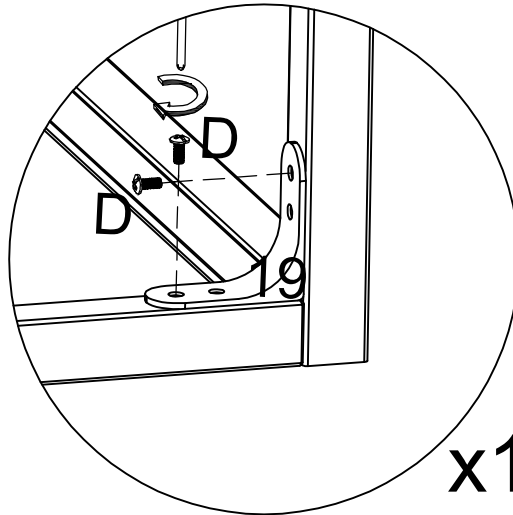
Step 3



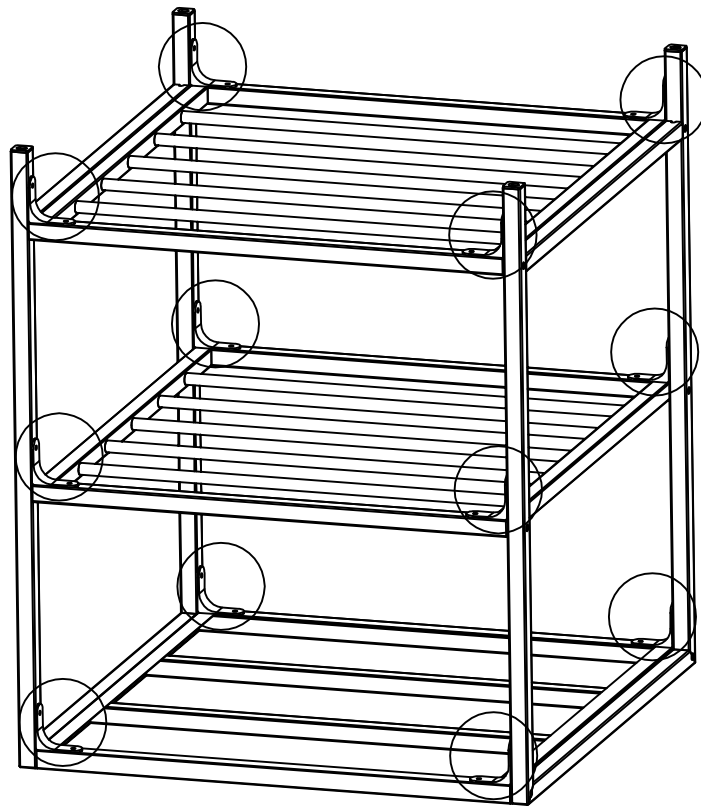
D x 24



19 x 12



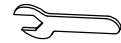
x12



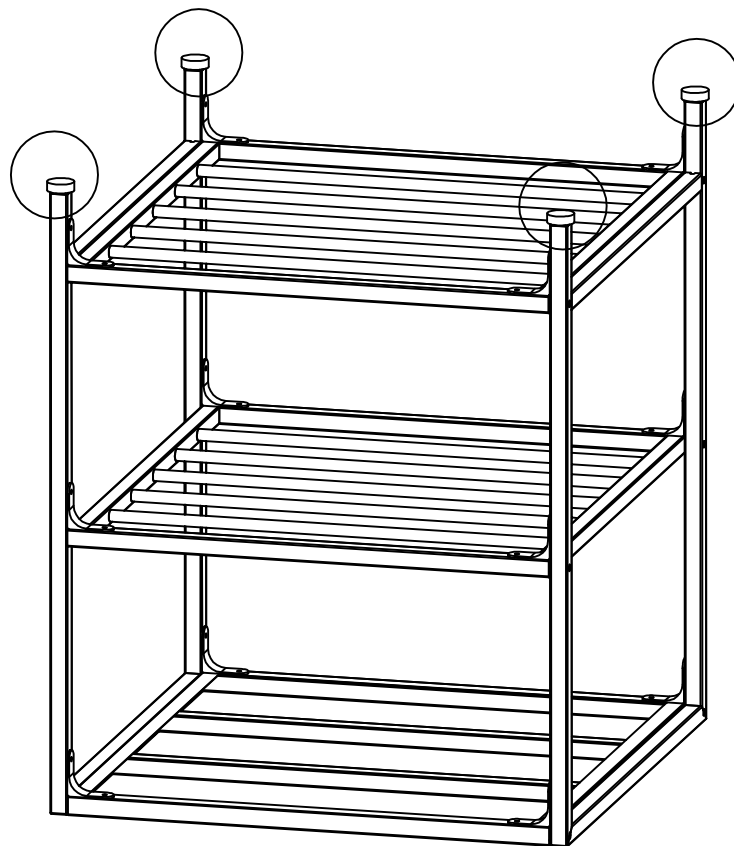
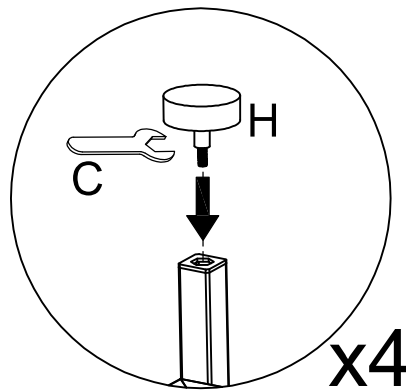
Step 4



H x 4



C x 1



Step 5



B x 4



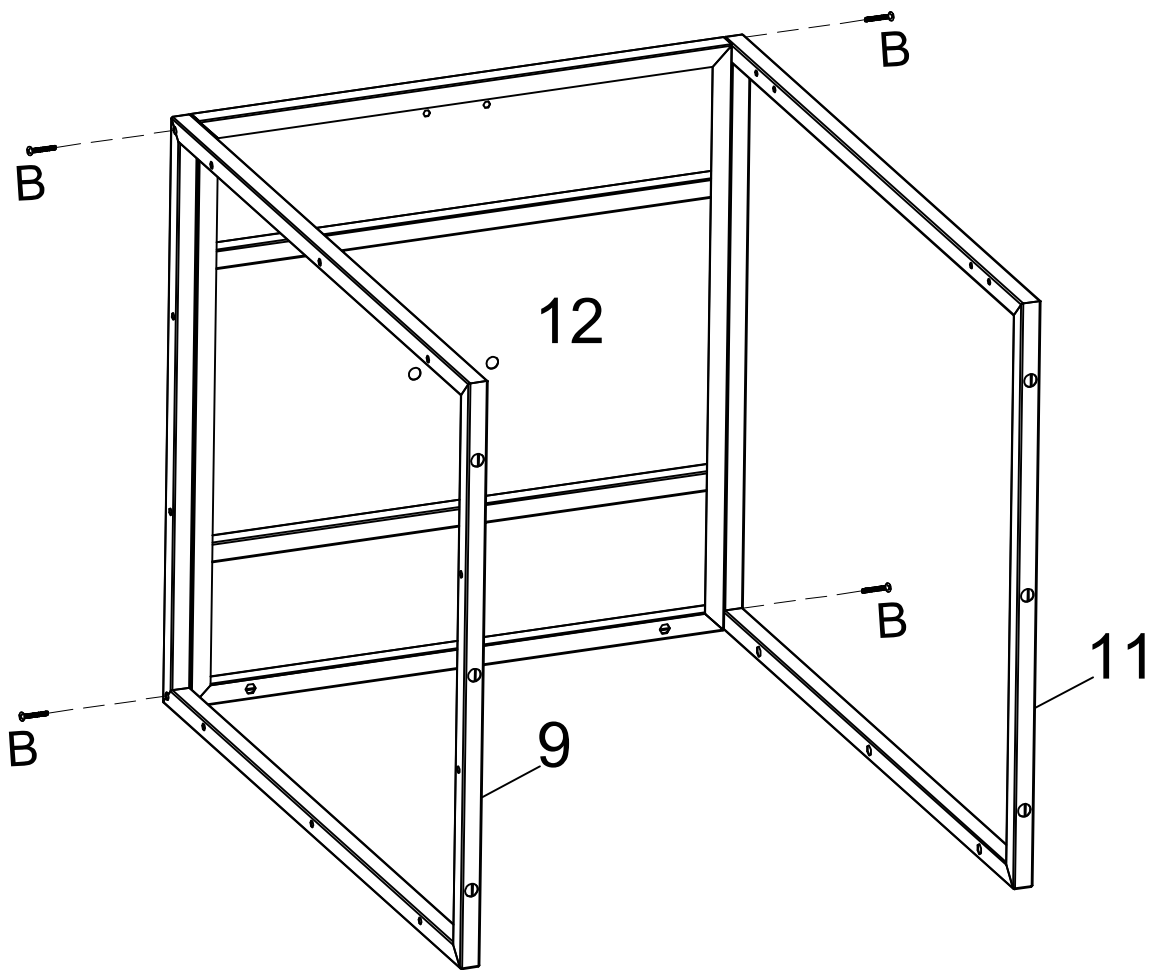
12 x 1



9 x 1



11 x 1



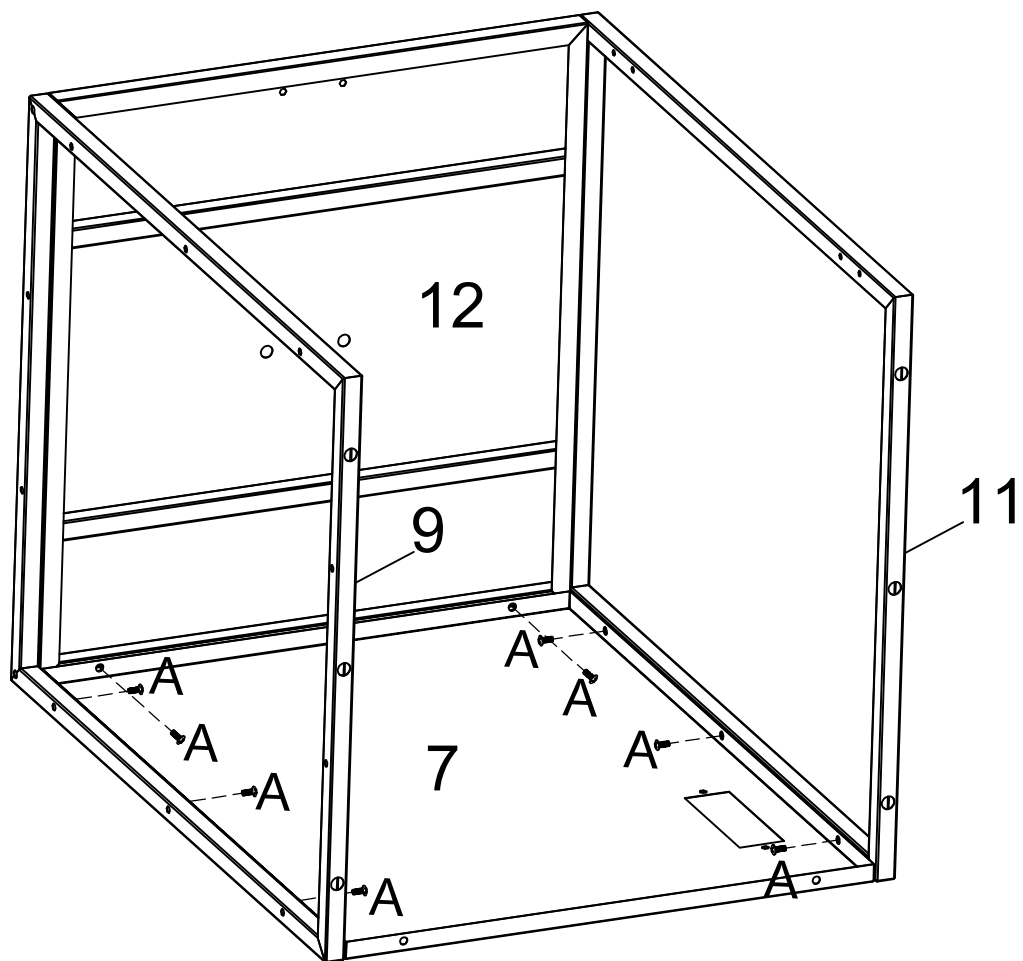
Step 6



A x 8



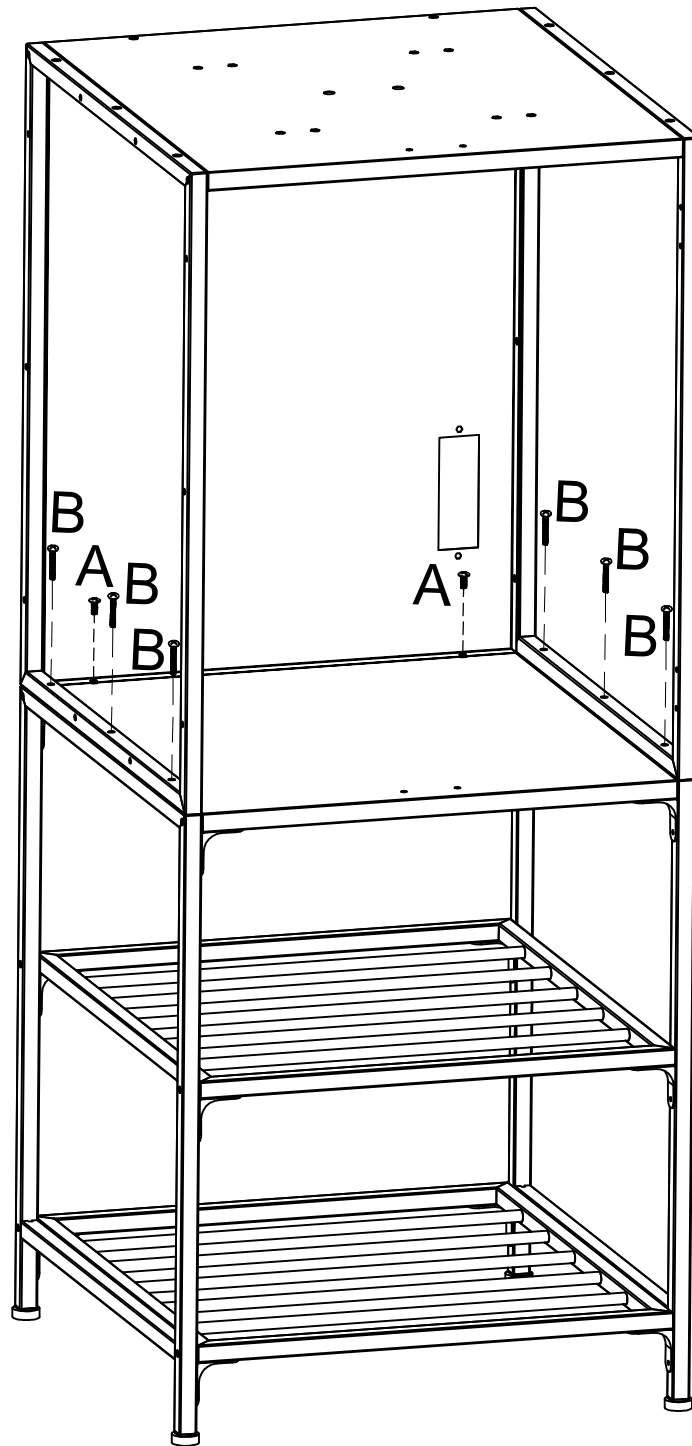
7 x 1









Step 7

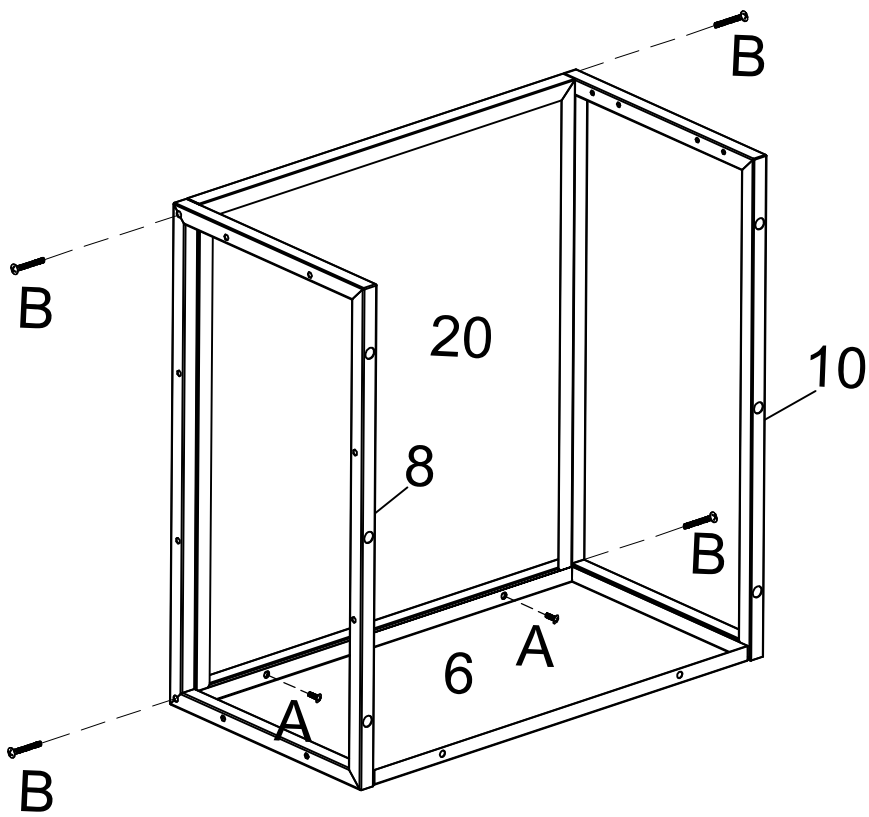
 A x 2

 B x 6



Step 8

	A x 2
	B x 4
	8 x 1
	10 x 1
	6 x 1
	20 x 1



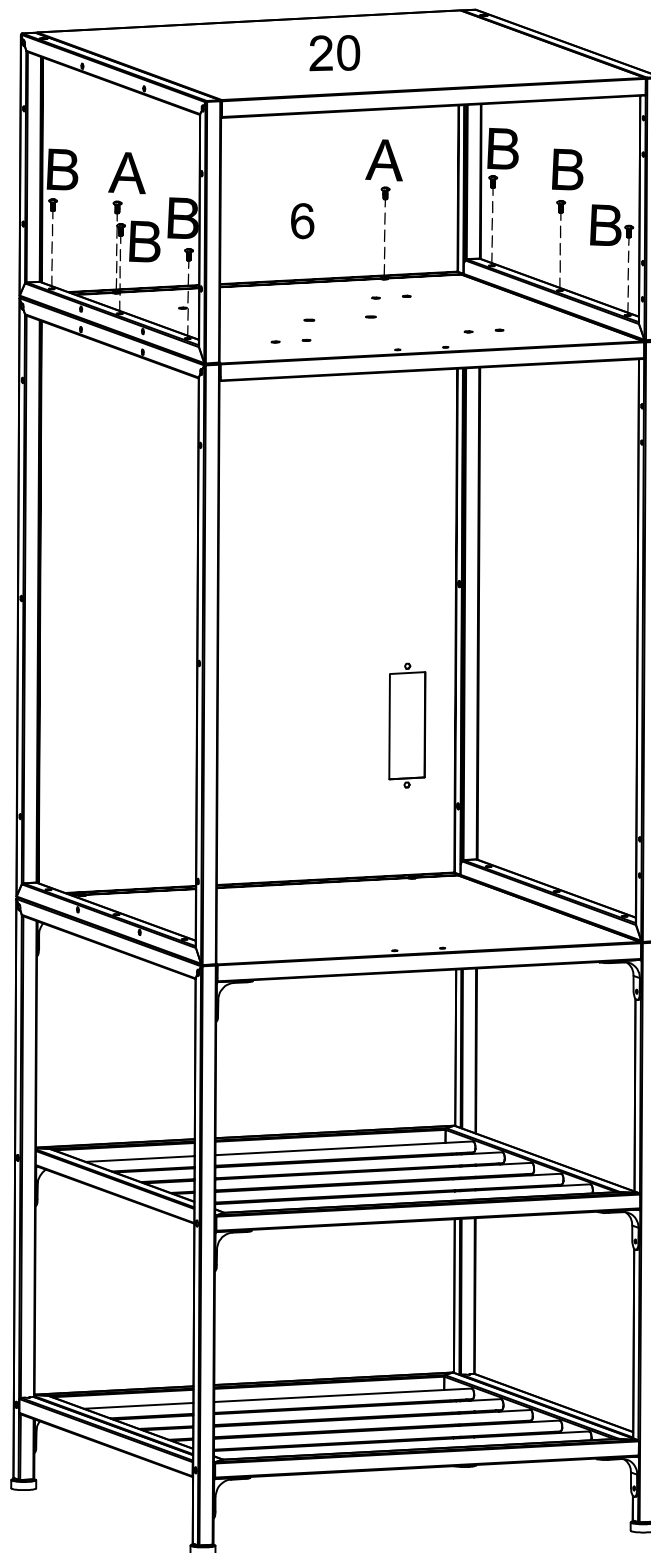
Step 9



A x 2



B x 6



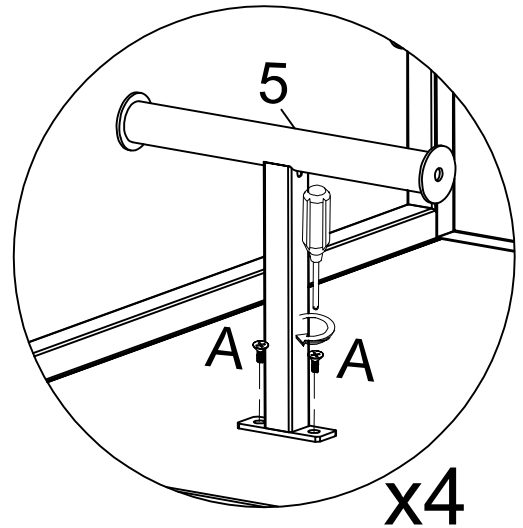
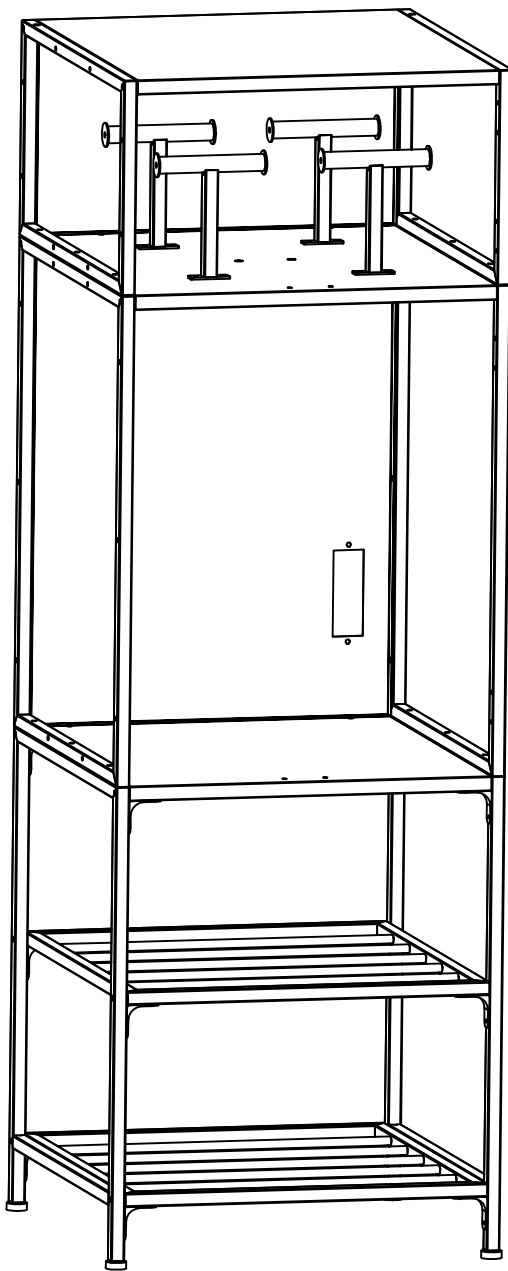
Step 10



A x 8



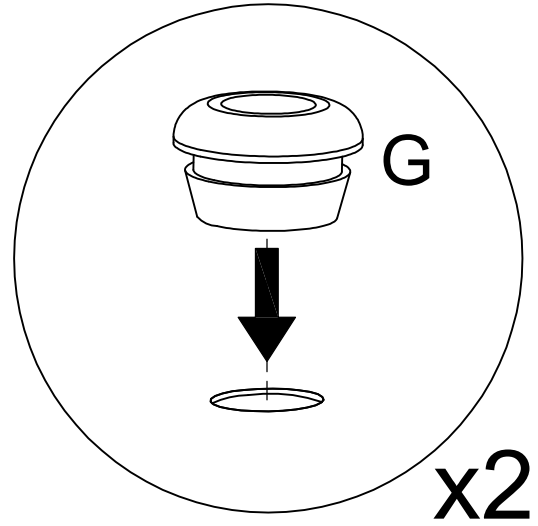
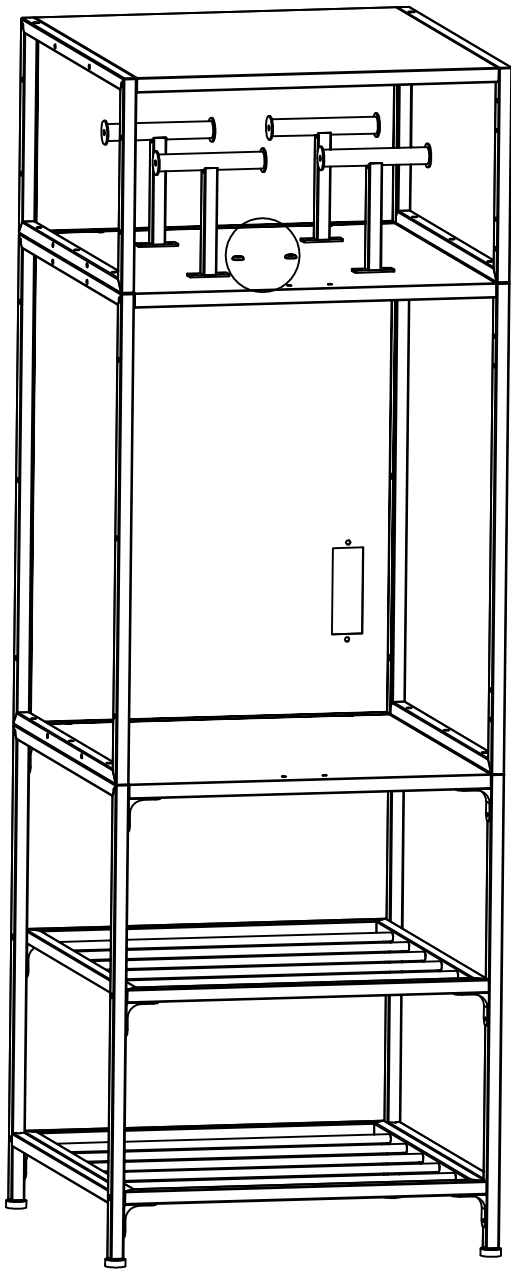
5 x 4



Step 11



G x 2



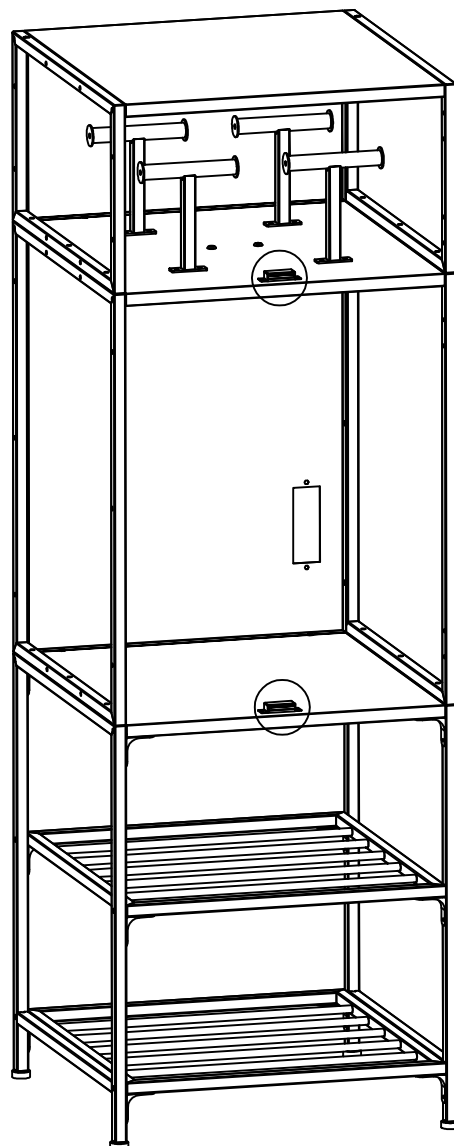
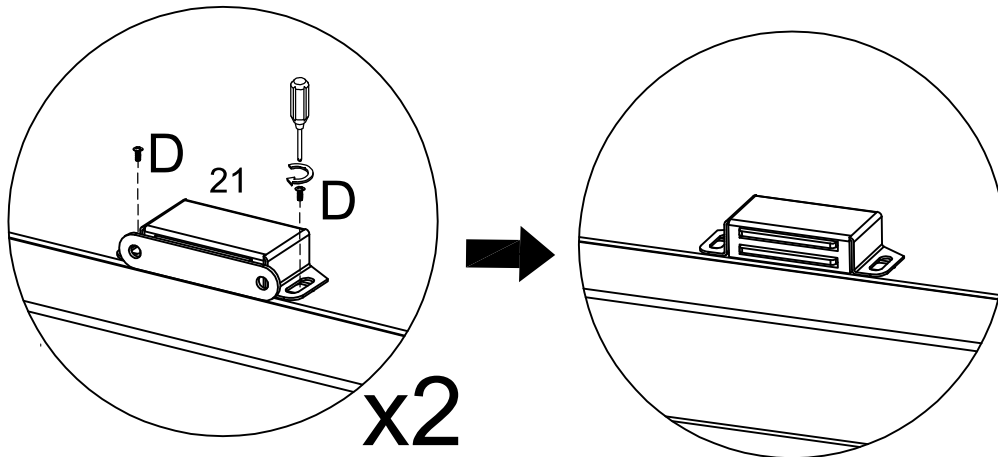
Step 12



D x 4



21 x 2



After installation,
remove the metal
gasket

Step 13

 E x 32

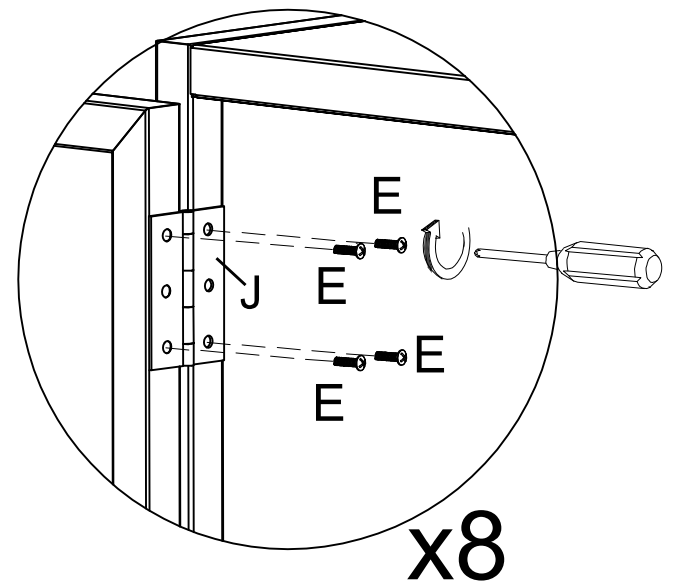
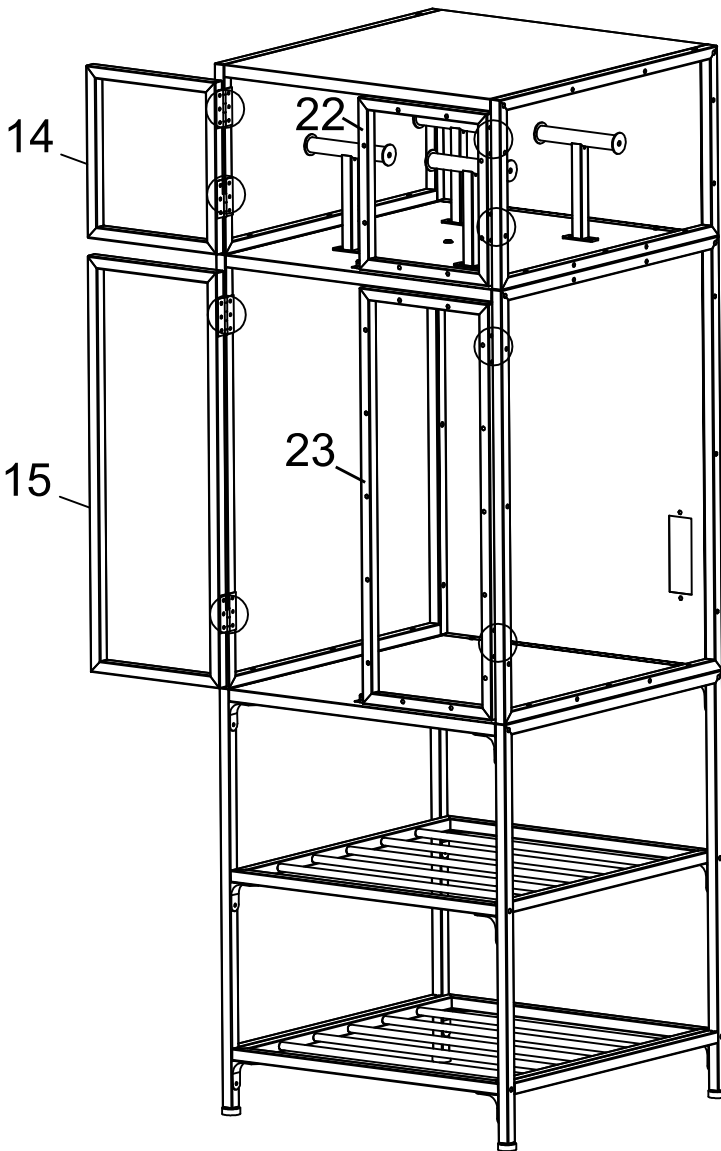
 J x 8

 14 x 1

 15 x 1

 22 x 1

 23 x 1



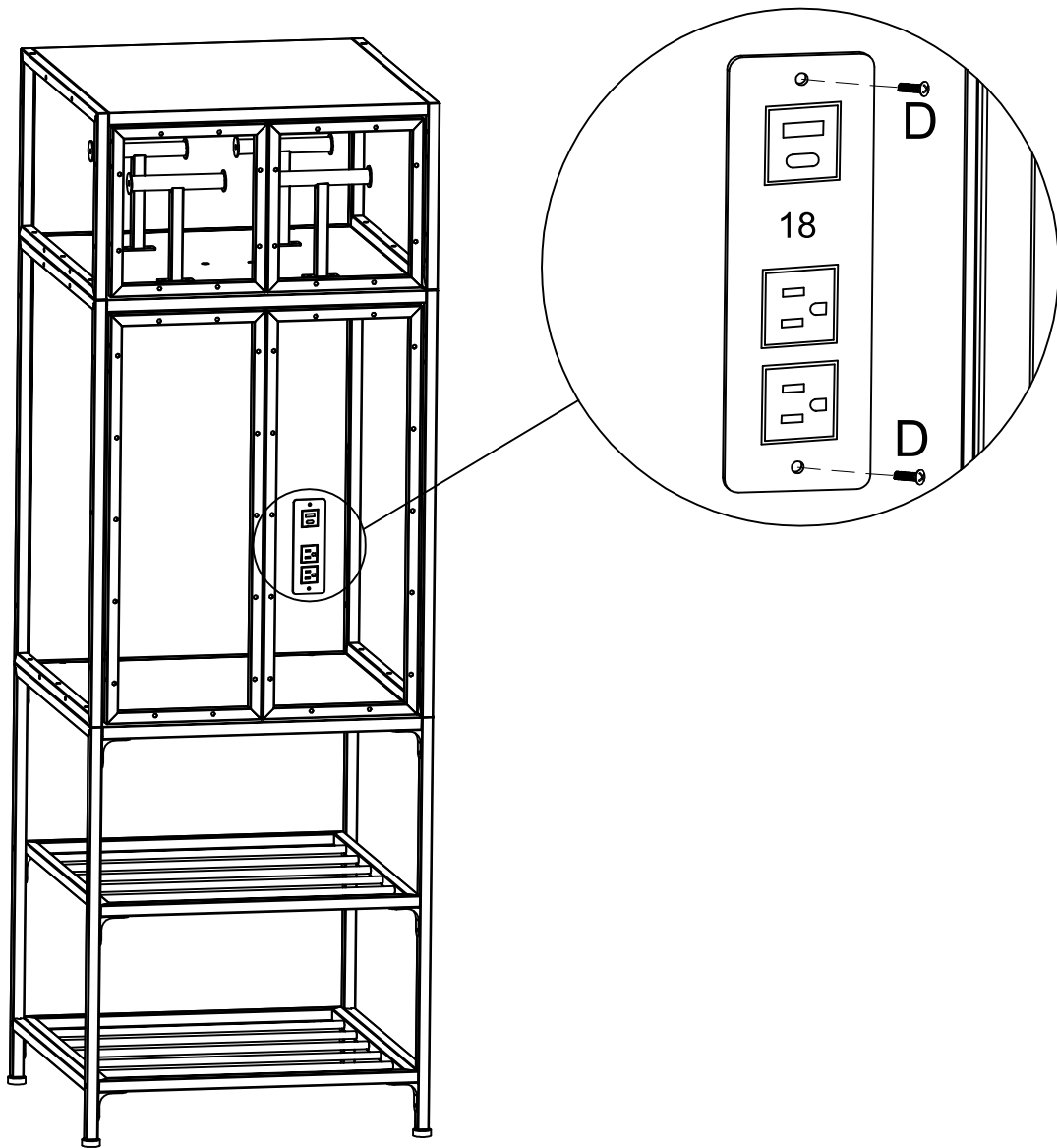
Step 14



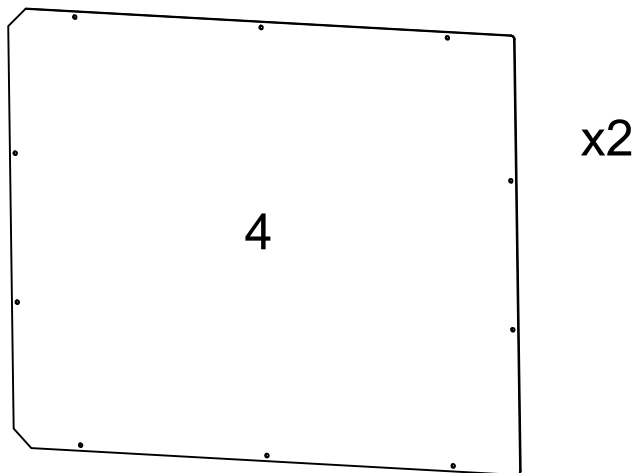
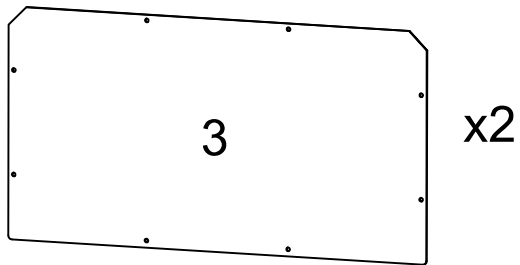
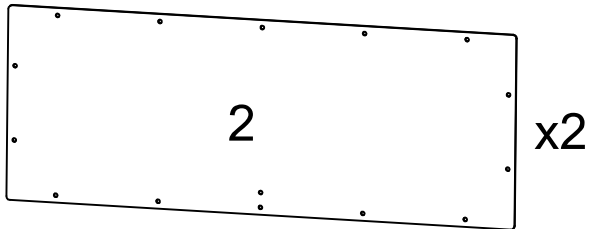
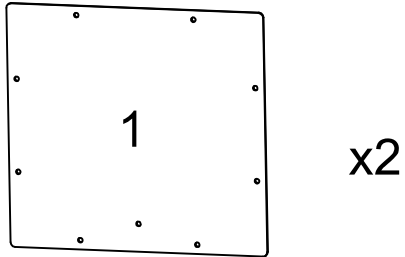
D x 2



18 x 1



Step 15

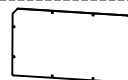


Please tear off
the protective
film on both
sides

Step 16



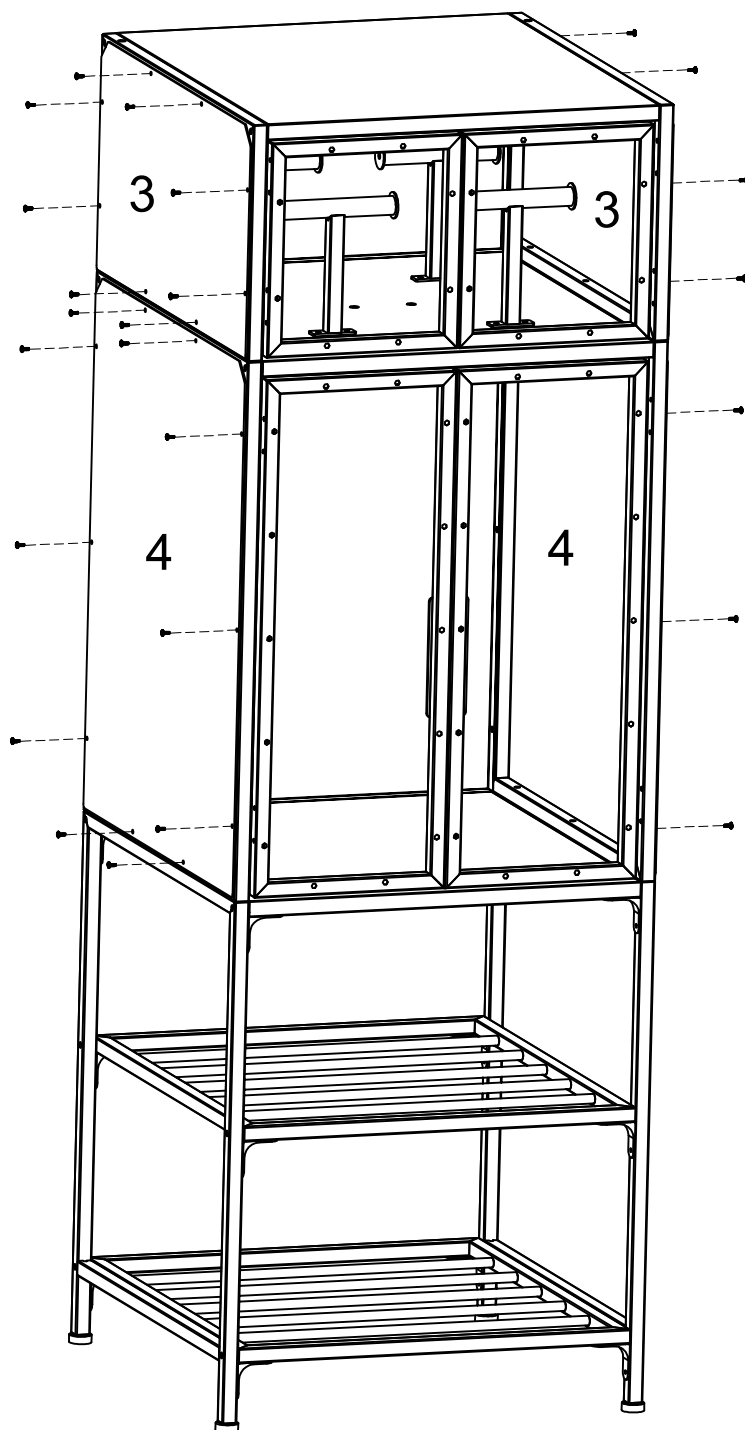
D x 36



3 x 2



4 x 2



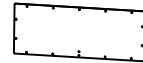
Step 17



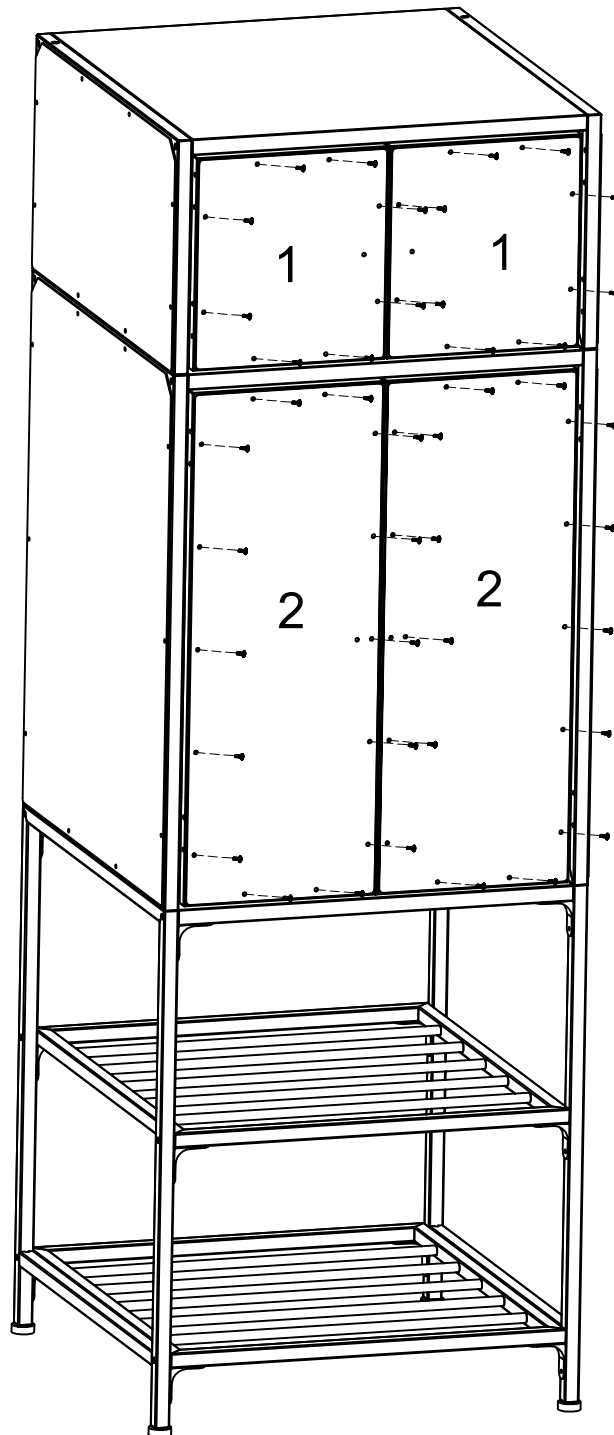
D x 44



1 x 2



2 x 2



Step 18



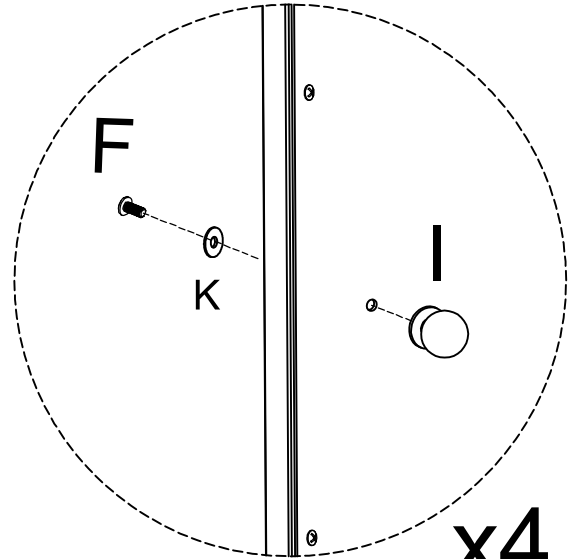
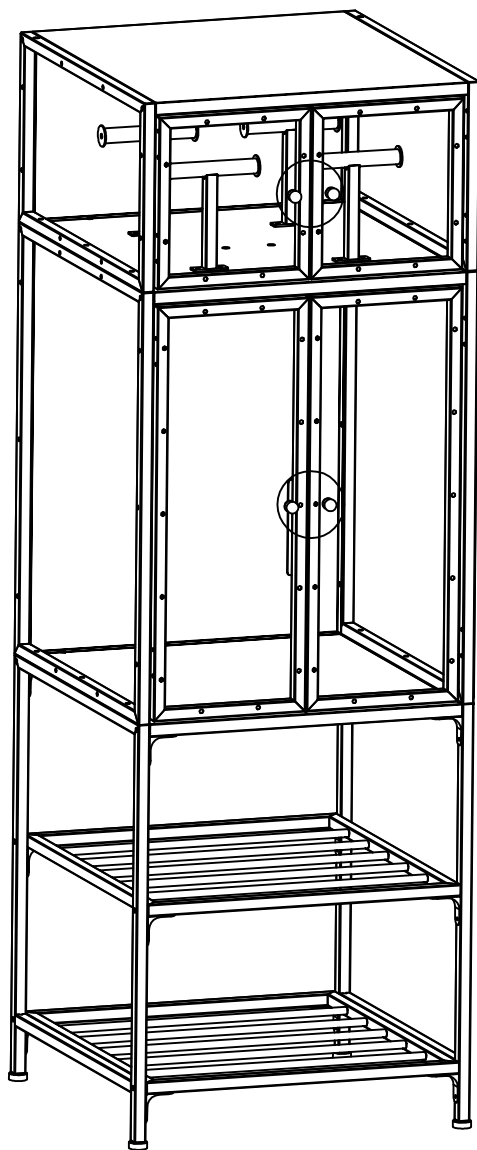
F x 4



I x 4



K x 4



x4

Step 19



L x 2



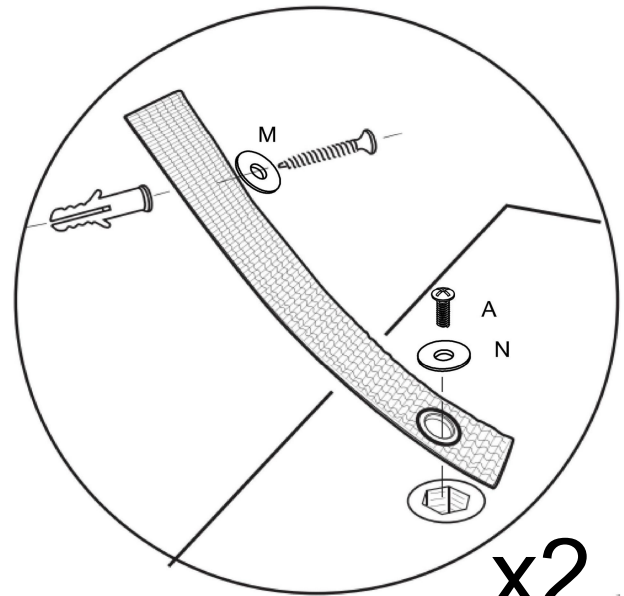
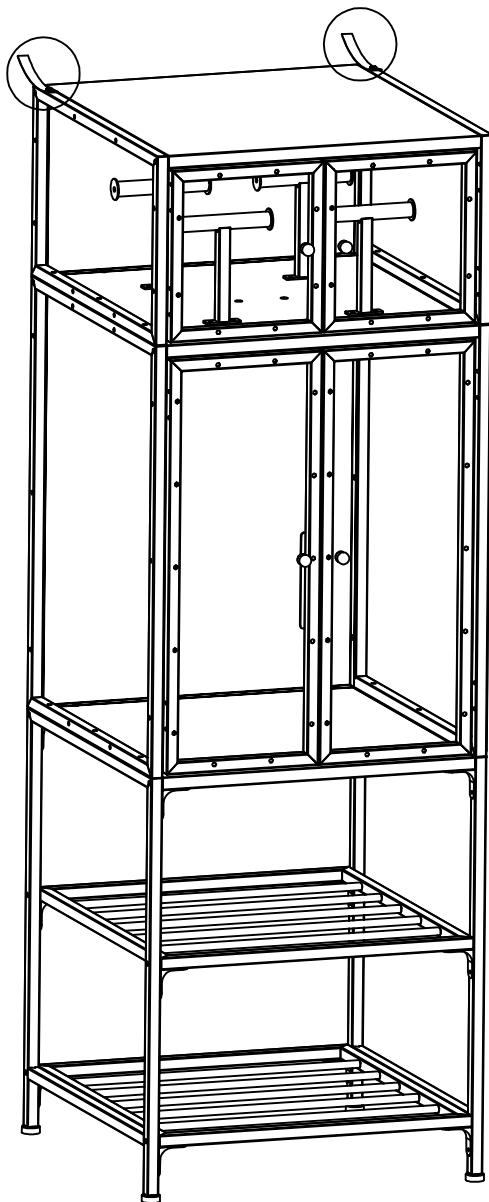
M x 2



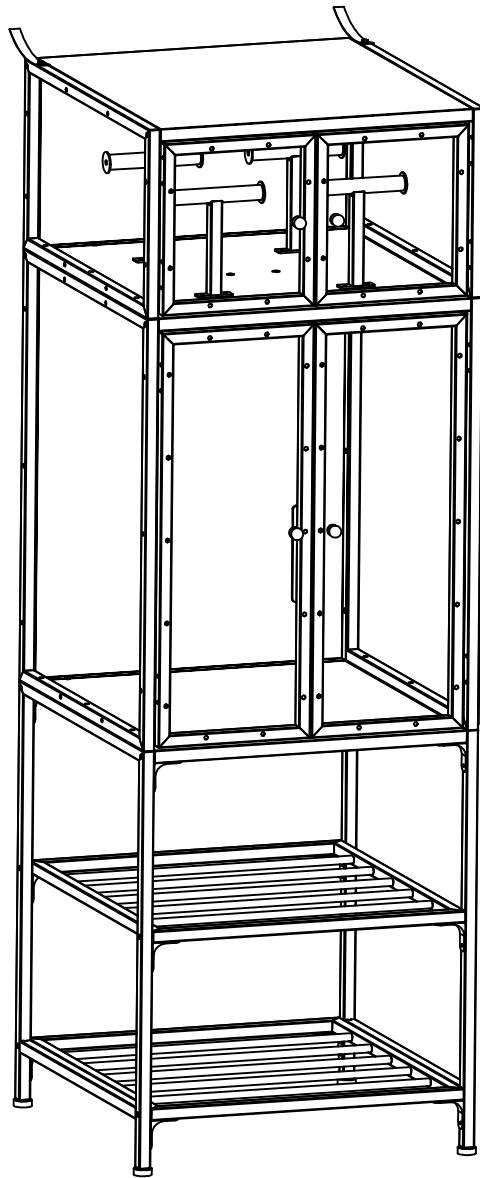
N x 2



A x 2



x2



Final Assembly