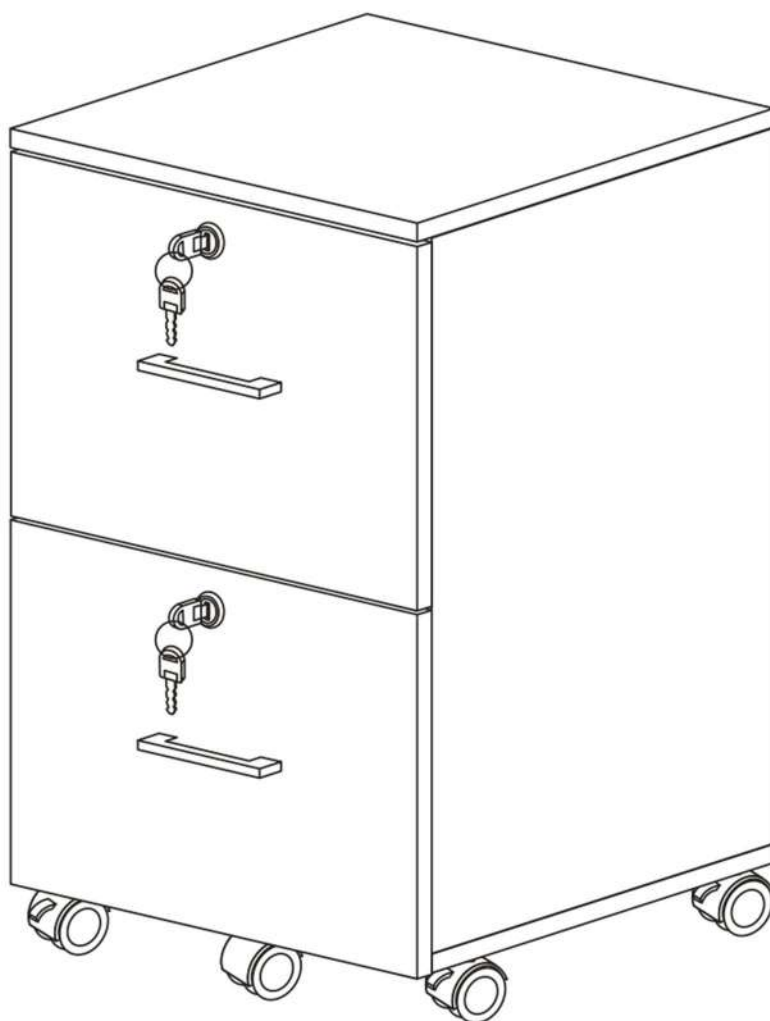


# CABINET

ASSEMBLY INSTRUCTION



Thank you for purchasing  
Please contact us via email if parts are missing or damaged, we will  
gladly ship your replacement parts free of charge

## **⚠ IMPORTANT**

THIS INSTRUCTION BOOKLET CONTAINS IMPORTANT SAFETY INFORMATION.  
PLEASE READ AND KEEP FOR FUTURE REFERENCE.

# RETURN & WARRANTY

## Thank you for choosing our product!

We would like to take this opportunity to thank you for choosing

We hope that you are completely satisfied with your purchase, and enjoy it for years to come.

## Your satisfaction is our highest pursuit.

### Return Policy

The believes you will absolutely love your file cabinet, but if for some reason you want to return the product, please contact us directly before you decide to return your product to the retailer. Our Customer Service organization can answer most concerns and can assist you with any questions you may have about your new product.

The item must be returned in good condition, in original box, with all original proof of purchase, parts and accessories, within the time frame specified by the retailer it was purchased from.

### Warranty

The warrants this product to be free from defects in material and workmanship agrees to remedy any such defect. This warranty covers one year from the date of original purchase. This is solely limited to be repair or replacement of defective parts and no assembly labor is included.

This warranty does not apply to any product which has been improperly assembled, subjected to misuse or abuse or which has been altered or repaired in anyway. Components repaired or replaced warranted through the remainder of the original warranty period only. The defective components will be repaired or replaced without charge, subject to the terms and conditions described above.

For help with assembly, identifying parts, product information or to order parts, please contact us freely.

# BEFORE STARTING

## Before Using Product



- Read each step carefully before starting. It is very important that each step is performed in the correct order. If these steps are not followed in sequence, assembly difficulties will occur.



- Make sure all parts are included. Most board parts are labeled or stamped on the raw edge.

- Have the following tools.



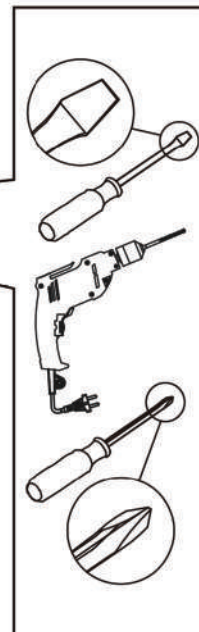
- Recommended # of people needed for assembly: 1 (however it is always better to have an extra hand). Estimated assembly time is 2 hours with an electric screwdriver



- Work in a spacious area and near where the unit will be used, preferably on a carpet, or use a piece of the cardboard packaging to protect your floor and product.



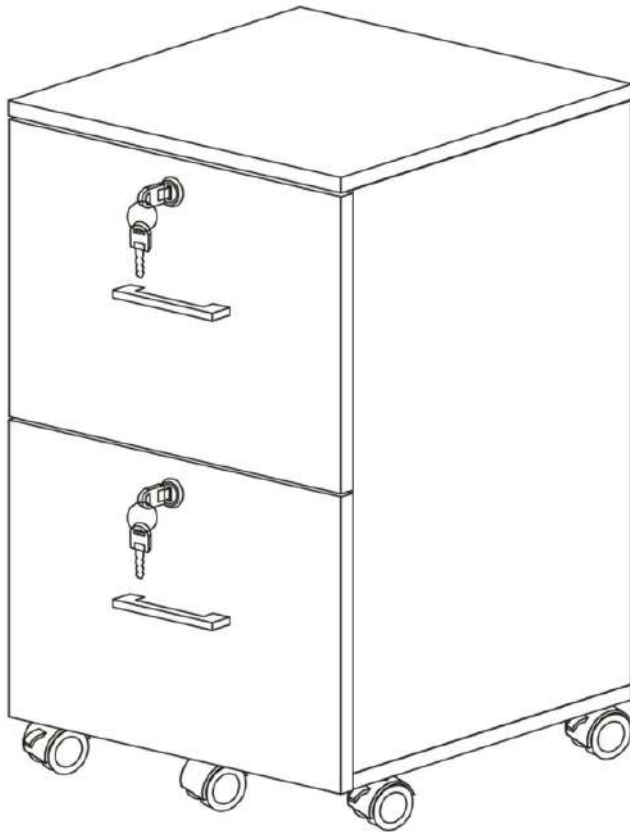
- For a smooth assembly process, we suggest you keep a lite tightness for all the screws during assembly. After the whole product is assembled, firmly tighten all the screws.



## WARNING:

- Do not allow children to climb on unit
- Serious or fatal crushing injuries can occur from furniture tip-over. To prevent this furniture from tipping over, it must be permanently fixed to the wall. Fixing devices for the wall are not included since different wall materials require different types of fixing devices. Use fixing devices suitable for the walls in your home. For advice on suitable fixing systems, contact your local specialized dealer.
- Avoid sharp objects or corrosive chemicals to prevent damage to the product
- During assembly, keep parts and packaging materials away from children and pets as there could be potential injury and choking hazards.

# ASSEMBLY TIPS



## OVERALL SIZE:

39 x 38 x 68 cm (L x W x H)

15.3 x 15 x 26.8 inch (L x W x H)

## FEATURES:

Two Drawers

Hanging Folders



Estimated Time for Assembly

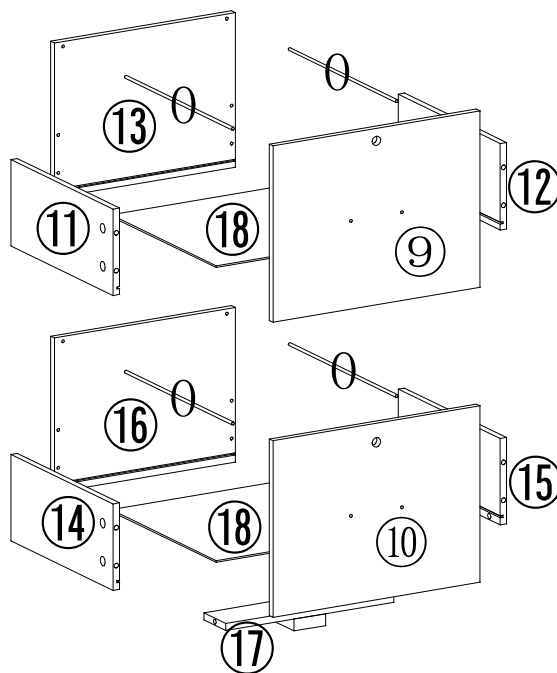
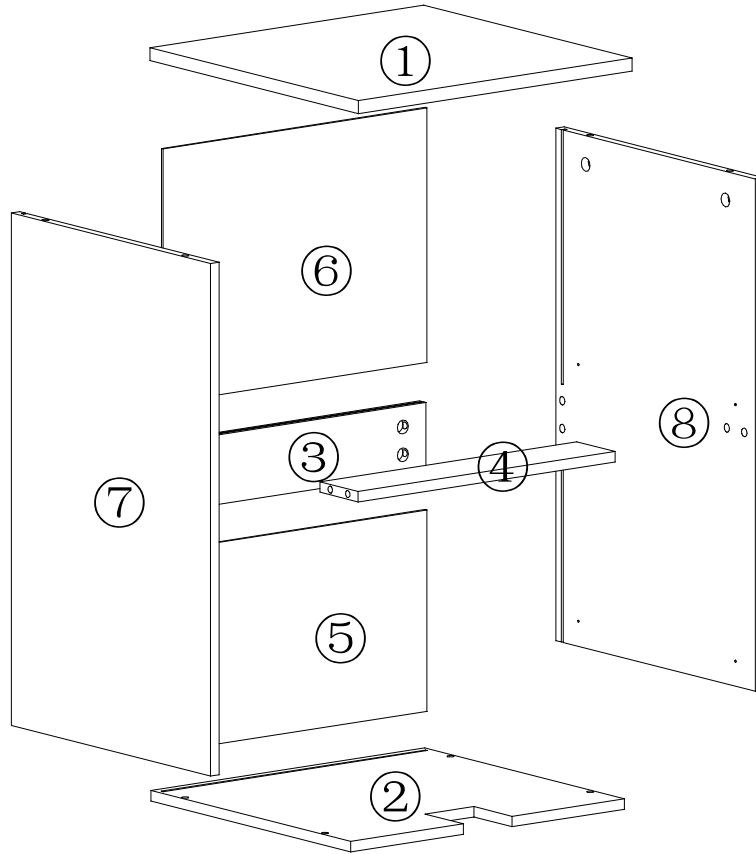
**45-60 mins**

## Caution:

1. This product is designed for home use and not intended for commercial use.
2. This product contains small components. Please ensure that they are kept away from small children.
3. Be careful when using power tools to assemble your furniture. Power tools may strip or damage the parts.

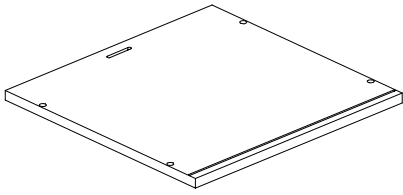
# IDENTIFY PARTS

One unit per box



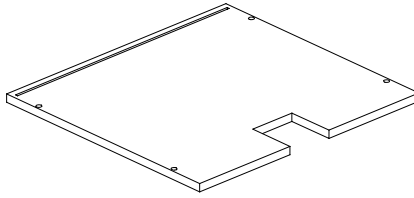
# COMPONENTS

1



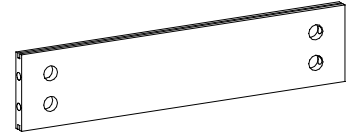
392\*382\*15mm  
Top panel ×1

2



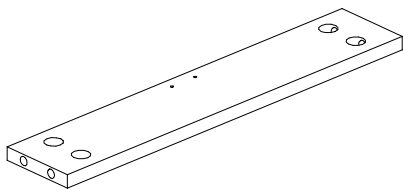
390\*366\*12mm  
Bottom panel ×1

3



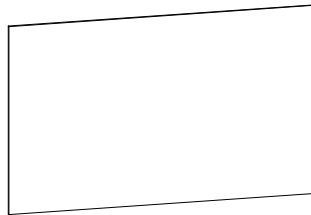
365\*80\*12mm  
Back panel ×1

4



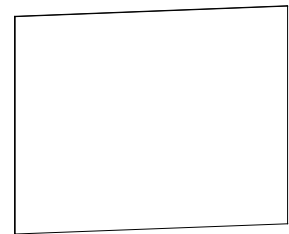
365\*70\*12mm  
Cabinet pull plate ×1

5



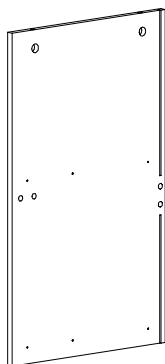
374\*230\*3mm  
Back panel ×1

6



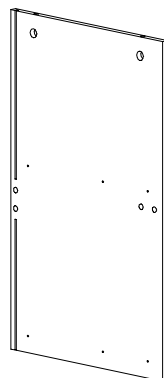
374\*295\*3mm  
Back panel ×1

7



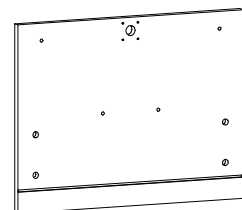
365\*590\*12mm  
Left vertical plate ×1

8



365\*590\*12mm  
Right vertical plate ×1

9



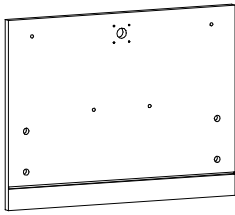
389\*298\*12mm  
Drawer panel ×1

Components of furniture

Please check the board number and the hole on the board

# COMPONENTS

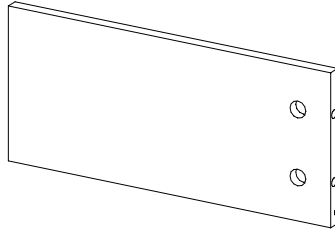
10



389\*298\*12mm

Drawer panel ×1

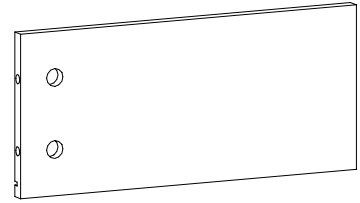
11



325\*146\*12mm

Drawer left coaming ×1

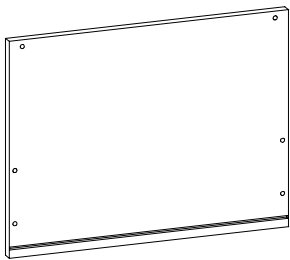
12



325\*146\*12mm

Drawer right coaming ×1

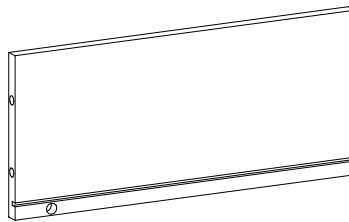
13



340\*261\*12mm

Drawer back plate ×1

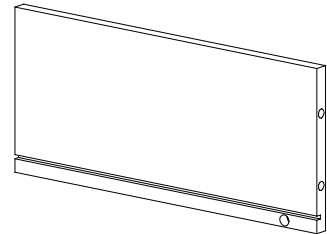
14



325\*146\*12mm

Drawer left coaming ×1

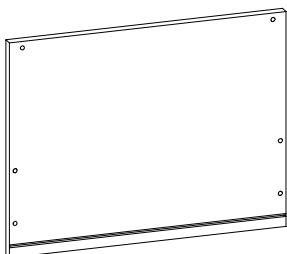
15



325\*146\*12mm

Drawer right coaming ×1

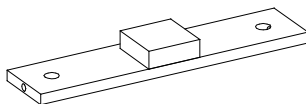
16



340\*261\*12mm

Drawer back plate ×1

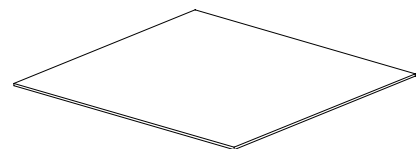
17



325\*70\*12mm

Drawer pull plate ×1

18



325\*333\*3mm

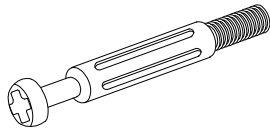
Drawer base plate ×2

Components of furniture

Please check the board number and the hole on the board

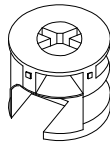
# COMPONENTS

**A**



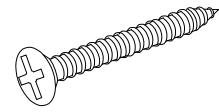
M7\*40mm  
Cam Bolt ×22

**B**



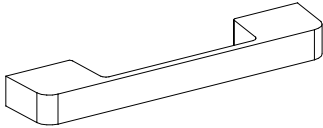
φ15mm  
Cam Lock ×22

**C**



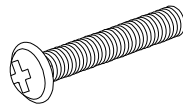
M4\*35mm  
Screw ×8

**D**



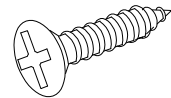
96mm  
Handle ×2

**E**



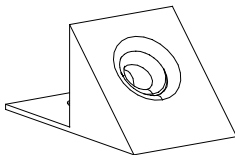
M4\*16mm  
Screw ×4

**F**



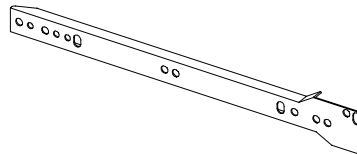
M3.5\*12mm  
Screw ×42

**G**



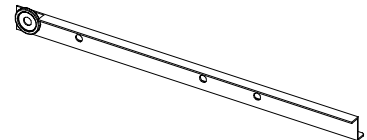
Back board Buckle ×8

**H**



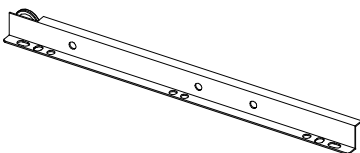
14"  
Drawer Slide ×2

**I**



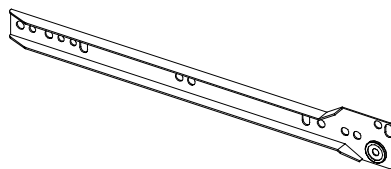
14"  
Drawer Slide ×2

**J**



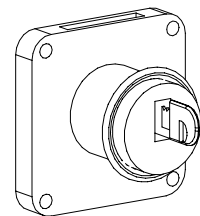
14"  
Drawer Slide ×2

**K**



14"  
Drawer Slide ×2

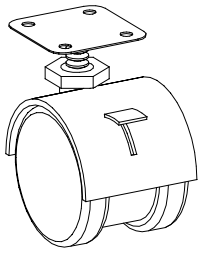
**L**



Lock & Keys ×2

# COMPONENTS

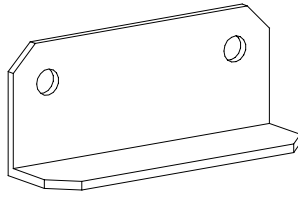
**M**



2"

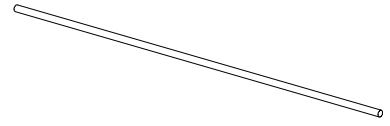
Caster ×4

**N**



Lock Latch ×1

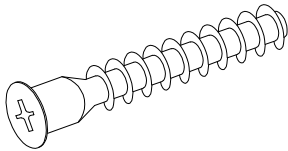
**O**



φ5\*335mm

Hanging Rod ×4

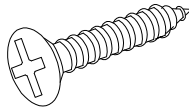
**P**



M5\*40mm

Screw ×4

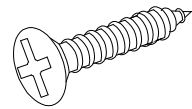
**Q**



M3.5\*16mm

Screw ×8

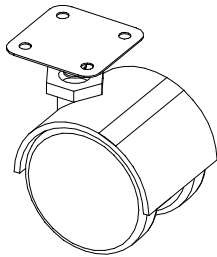
**R**



M3.5\*14mm

Screw ×8

**T**

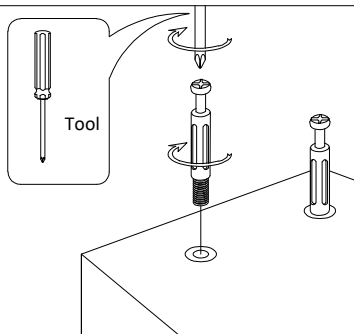


2"

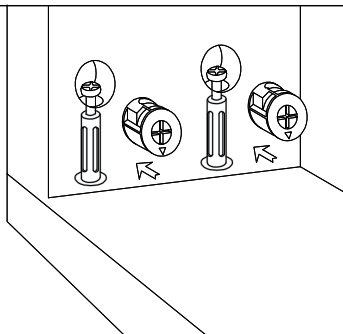
Caster ×1

## "A&B" Hardware installation example

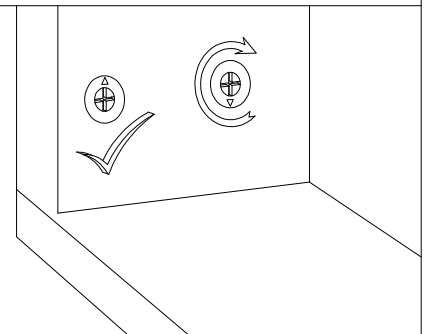
I



II

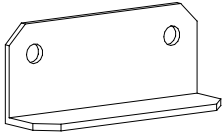


III

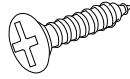


# ASSEMBLY STEPS

## Installation requirements and accessories



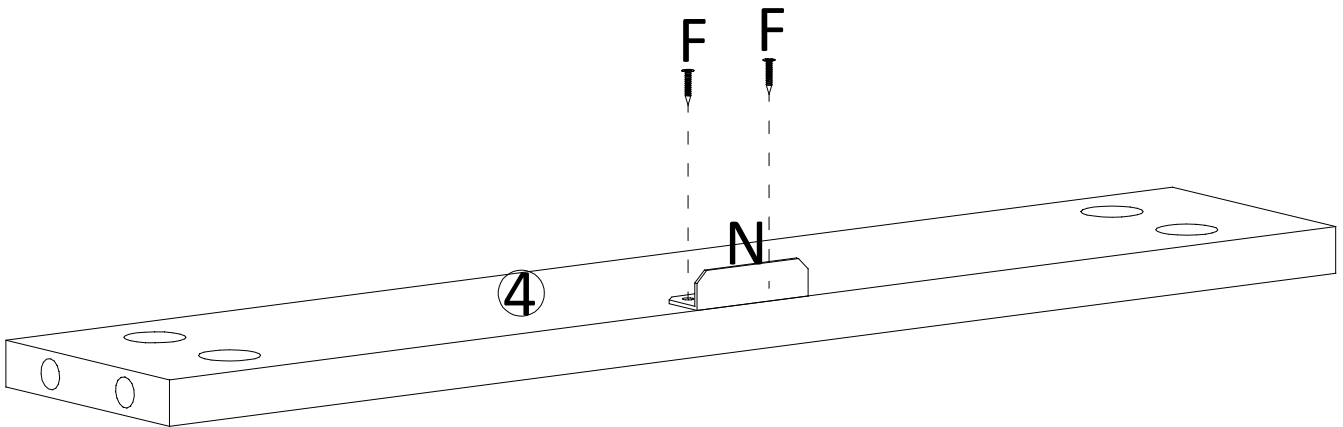
N×1 PC



F×2 PCS

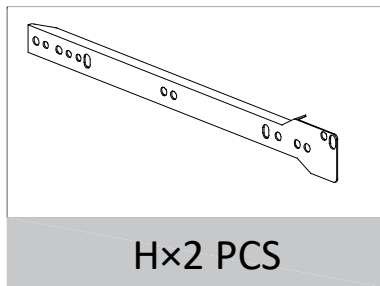
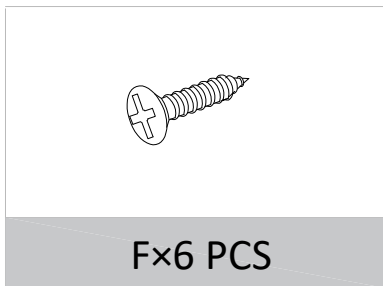
### STEP 1

Align N with the positioning hole of 4 and fix it with F.



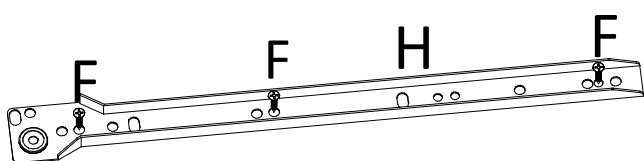
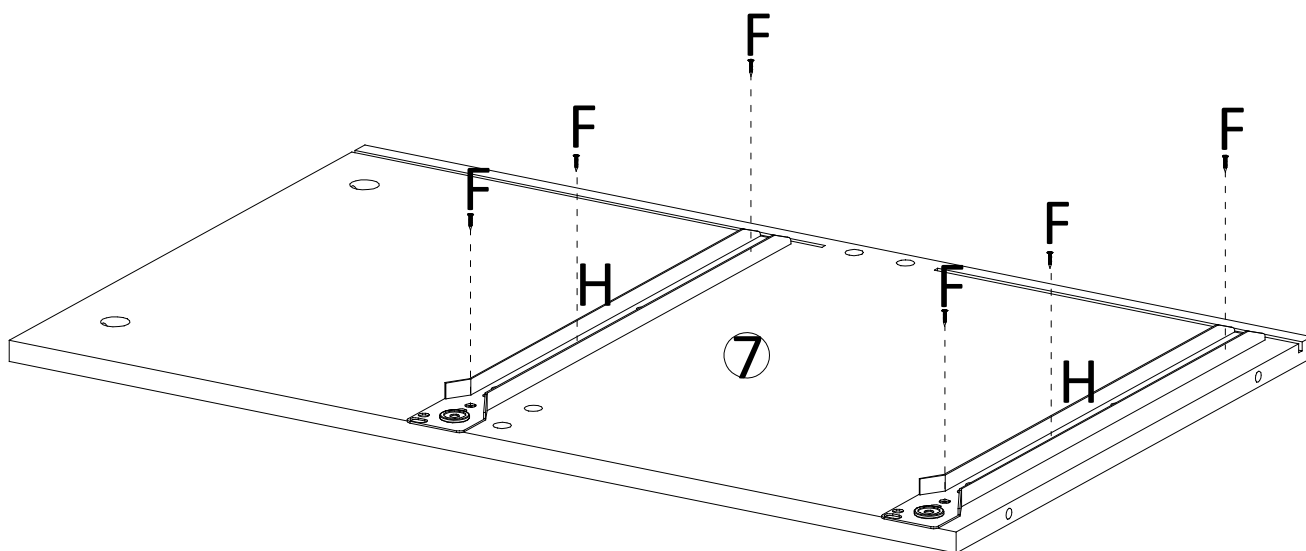
# ASSEMBLY STEPS

## Installation requirements and accessories



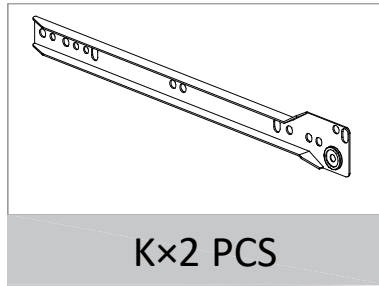
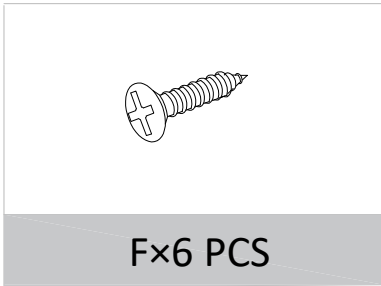
### STEP 2

Fix H on 7 with F according to the hole position marked in the schematic diagram, with the front end of H flush with 7.



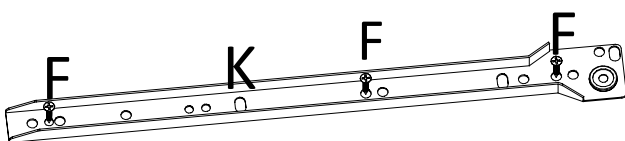
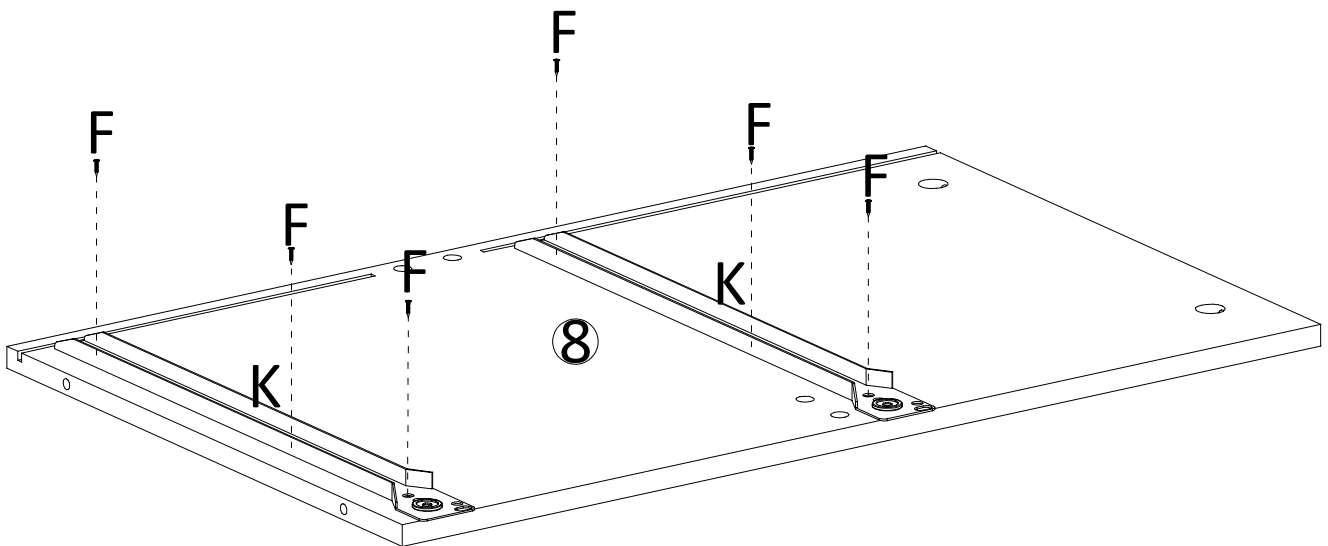
# ASSEMBLY STEPS

## Installation requirements and accessories



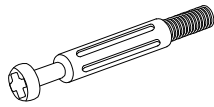
### STEP 3

According to the marked hole position in the diagram, fix K with F on 8, with the front end of K flush with 8.

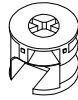


# ASSEMBLY STEPS

## Installation requirements and accessories



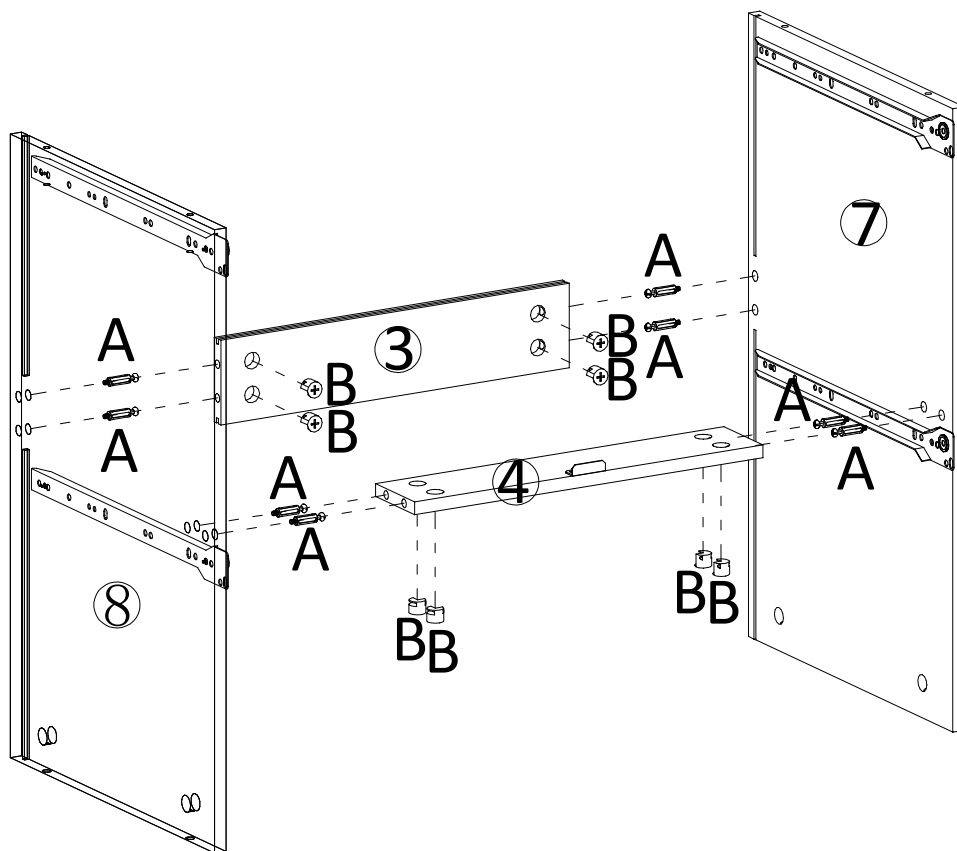
A×8 PCS



B×8 PCS

### STEP 4

Screw A into the white holes of 7 and 8, and splice 3&4&7&8 together. Insert B into the hole of 3&4 and tighten it securely.

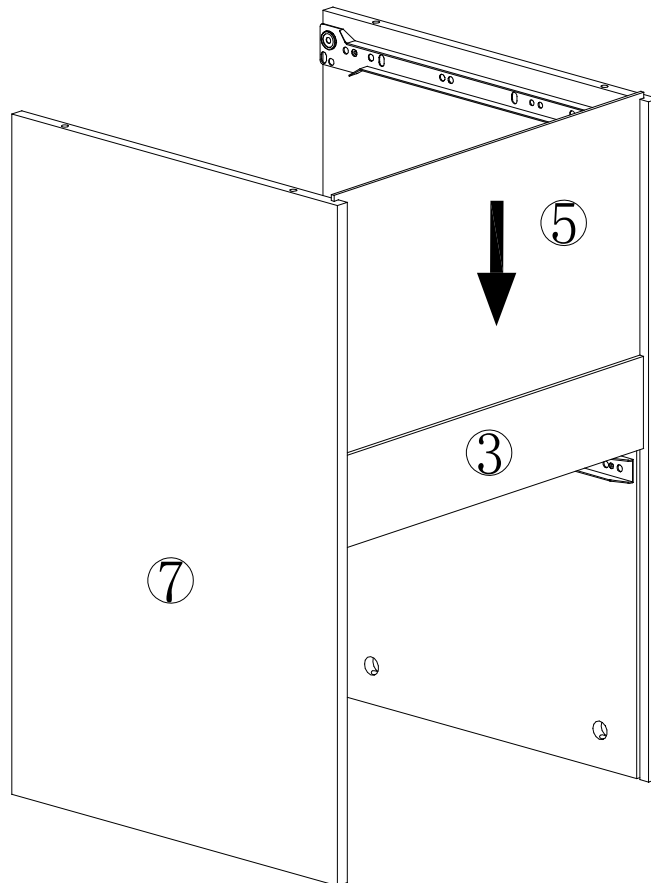


# ASSEMBLY STEPS

Installation requirements and accessories

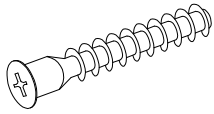
## STEP 5

Insert 3&7&8 along the slot.



# ASSEMBLY STEPS

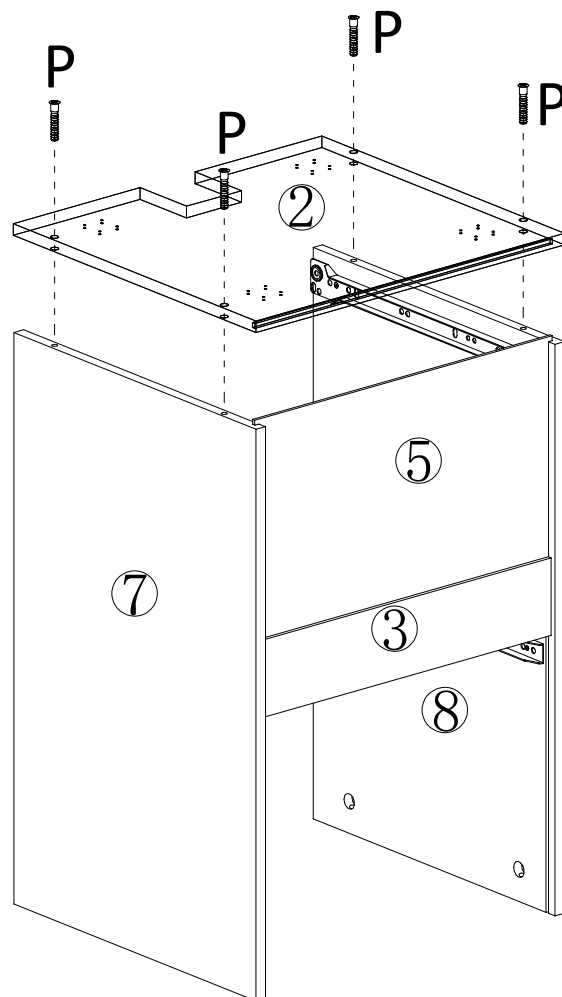
## Installation requirements and accessories



P×4 PCS

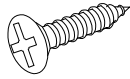
### STEP 6

Position notch 2 facing forward with the locating hole facing upwards, place it at the top, and insert slot 5 into slot 2, securing it with P.

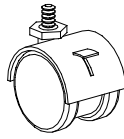


# ASSEMBLY STEPS

## Installation requirements and accessories



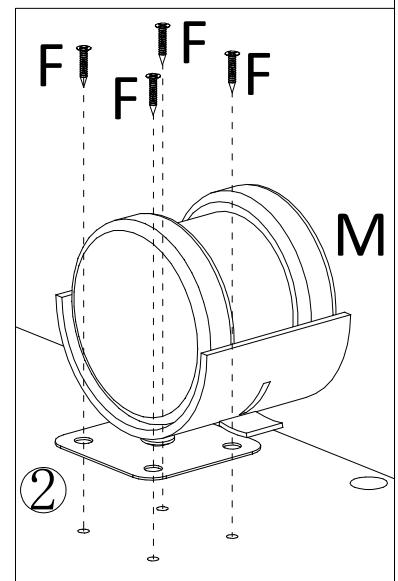
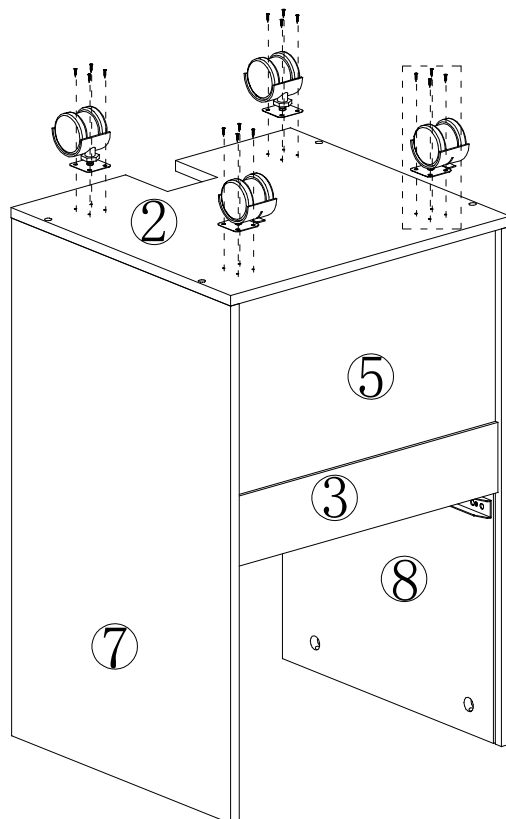
F×16 PCS



M×4 PCS

### STEP 7

Invert M, align with the positioning hole and fix with F, and flip the cabinet after installation is complete.

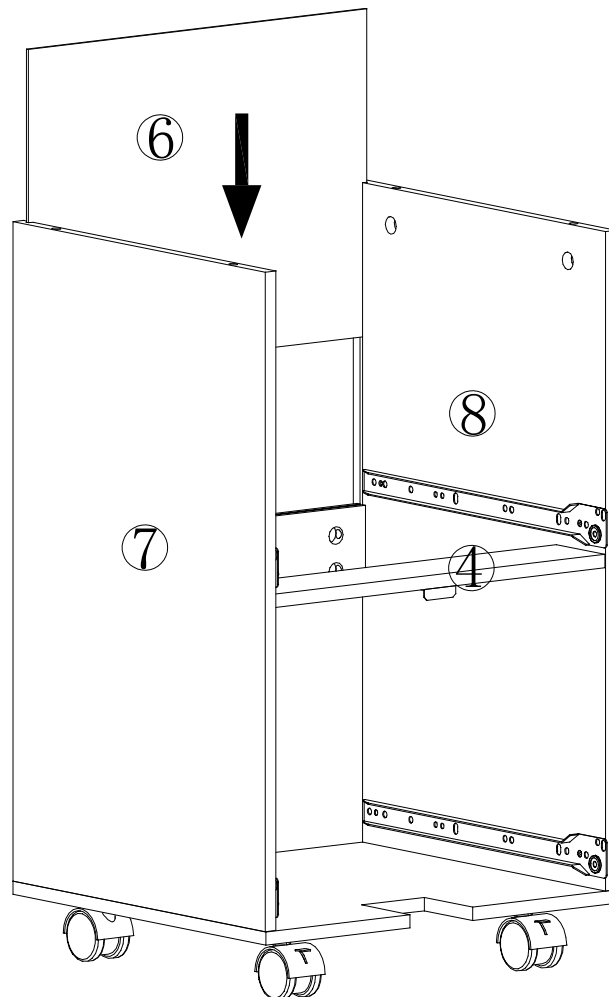


# ASSEMBLY STEPS

Installation requirements and accessories

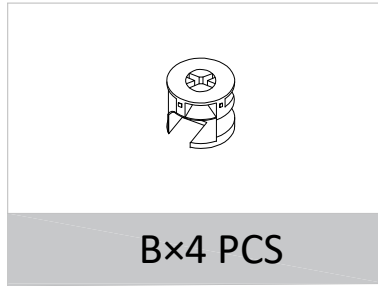
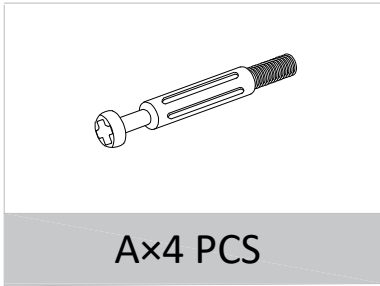
## STEP 8

Insert 6 into the slot of 3&7&8.



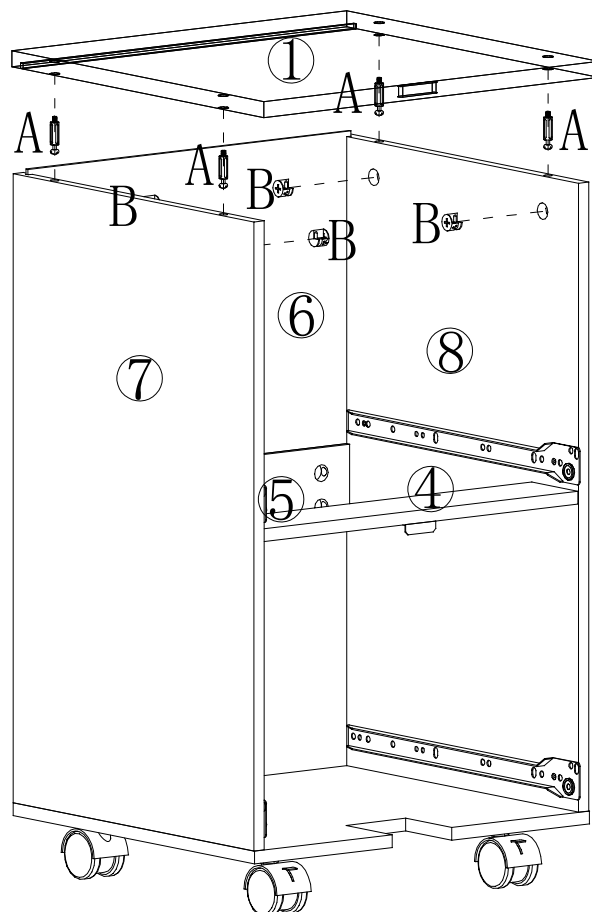
# ASSEMBLY STEPS

## Installation requirements and accessories



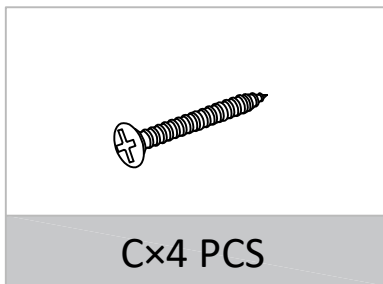
### STEP 9

Use A to screw into the white hole of 1, align with 7&8 for installation, and insert 6 into the slot of 1. Use B to tighten and fix it in the hole of 7&8.



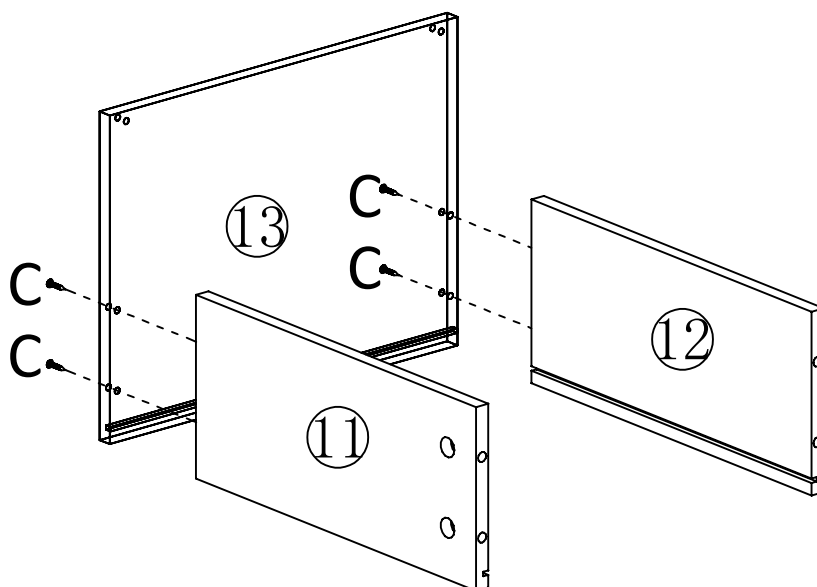
# ASSEMBLY STEPS

## Installation requirements and accessories



### STEP 10

C passes through 13 and fixes 11 and 12.

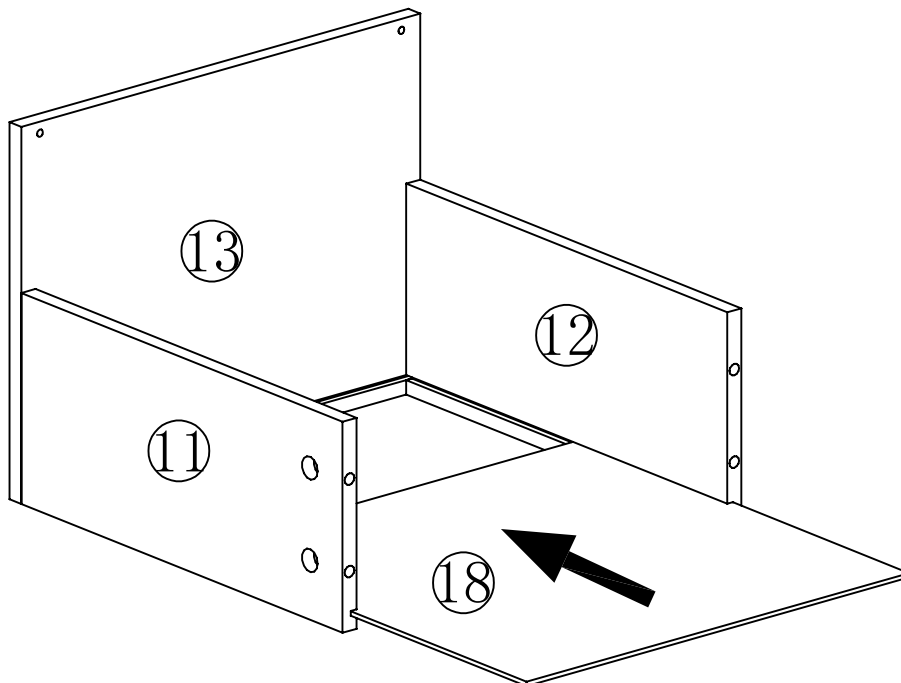


# ASSEMBLY STEPS

Installation requirements and accessories

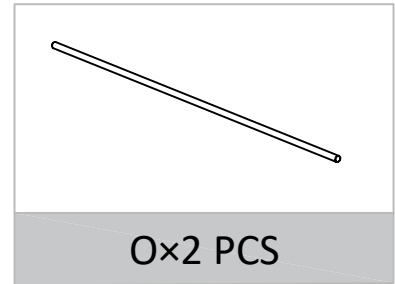
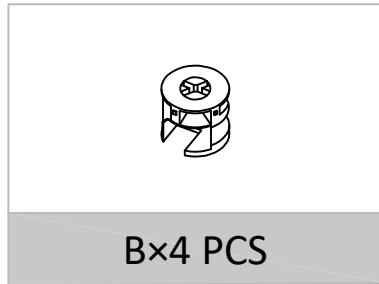
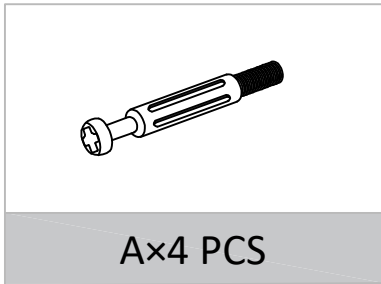
## STEP 11

Insert 18 into slot 11&12&13.



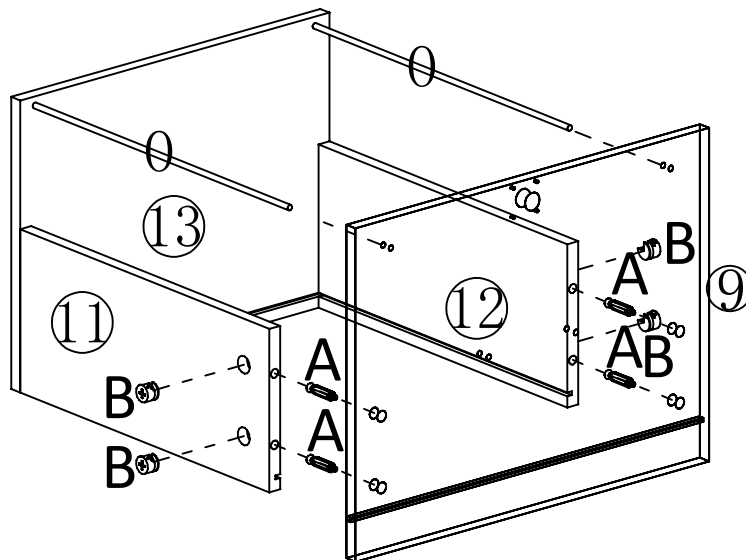
# ASSEMBLY STEPS

## Installation requirements and accessories



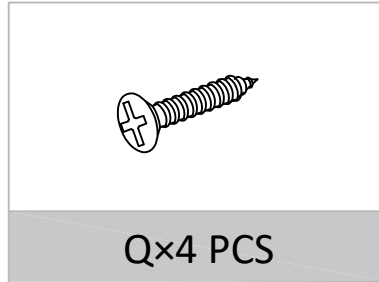
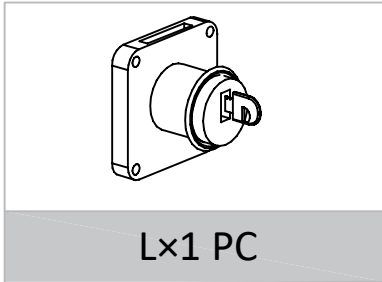
### STEP 12

A is fixed at 9 and linked to 11&12, while O is inserted into the 9 holes and fixed with B.



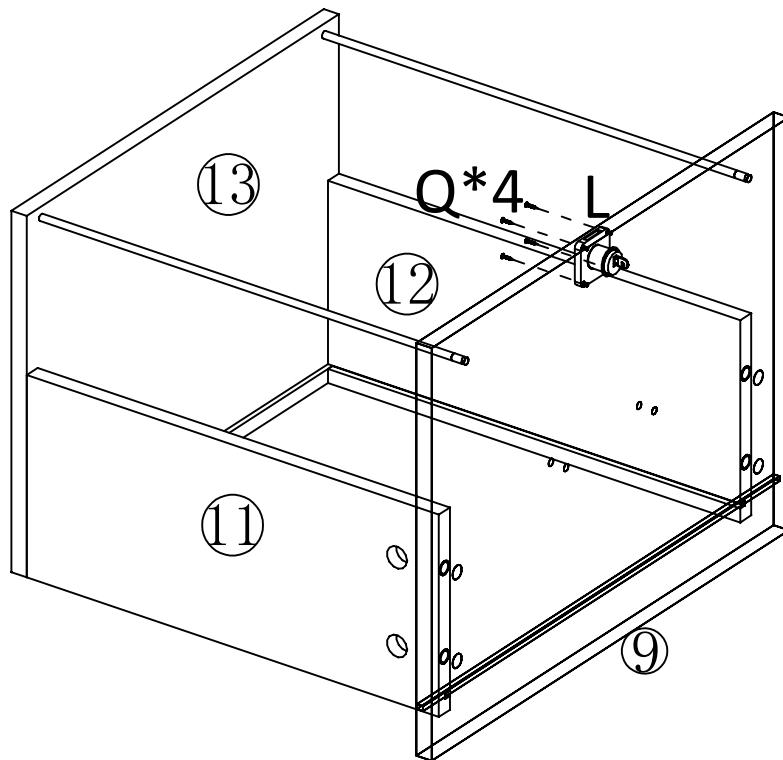
# ASSEMBLY STEPS

## Installation requirements and accessories



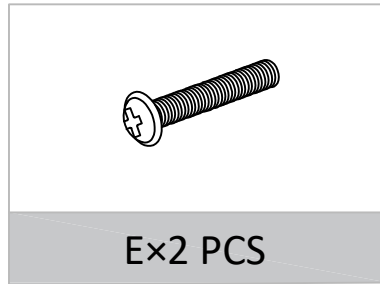
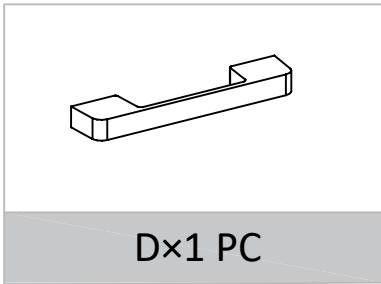
### STEP 13

Remove the L circle, insert the lock into 9, fix the front with a circle, and fix the back with Q.



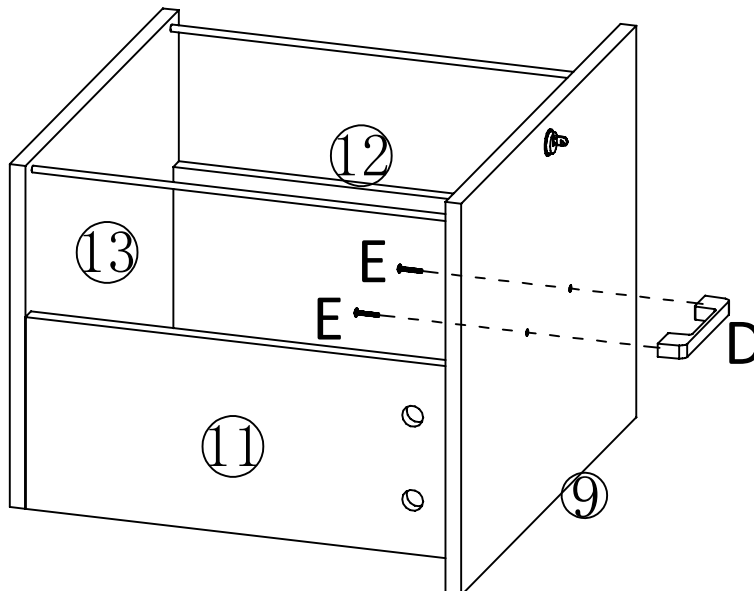
# ASSEMBLY STEPS

## Installation requirements and accessories



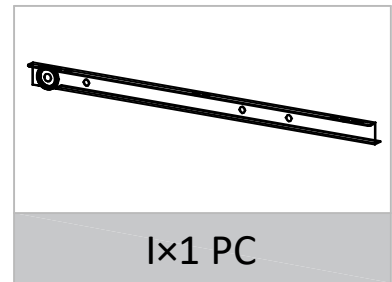
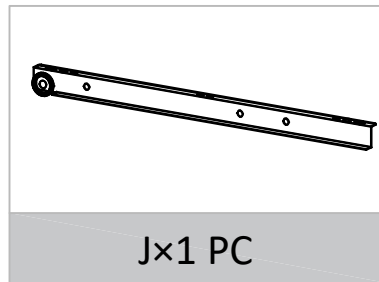
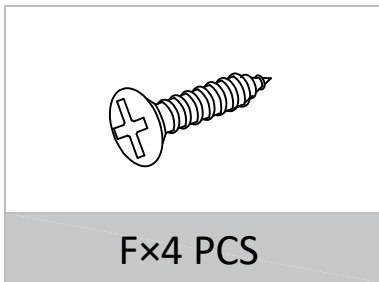
### STEP 14

E passes through 9 from the back, and D is fixed on the front.



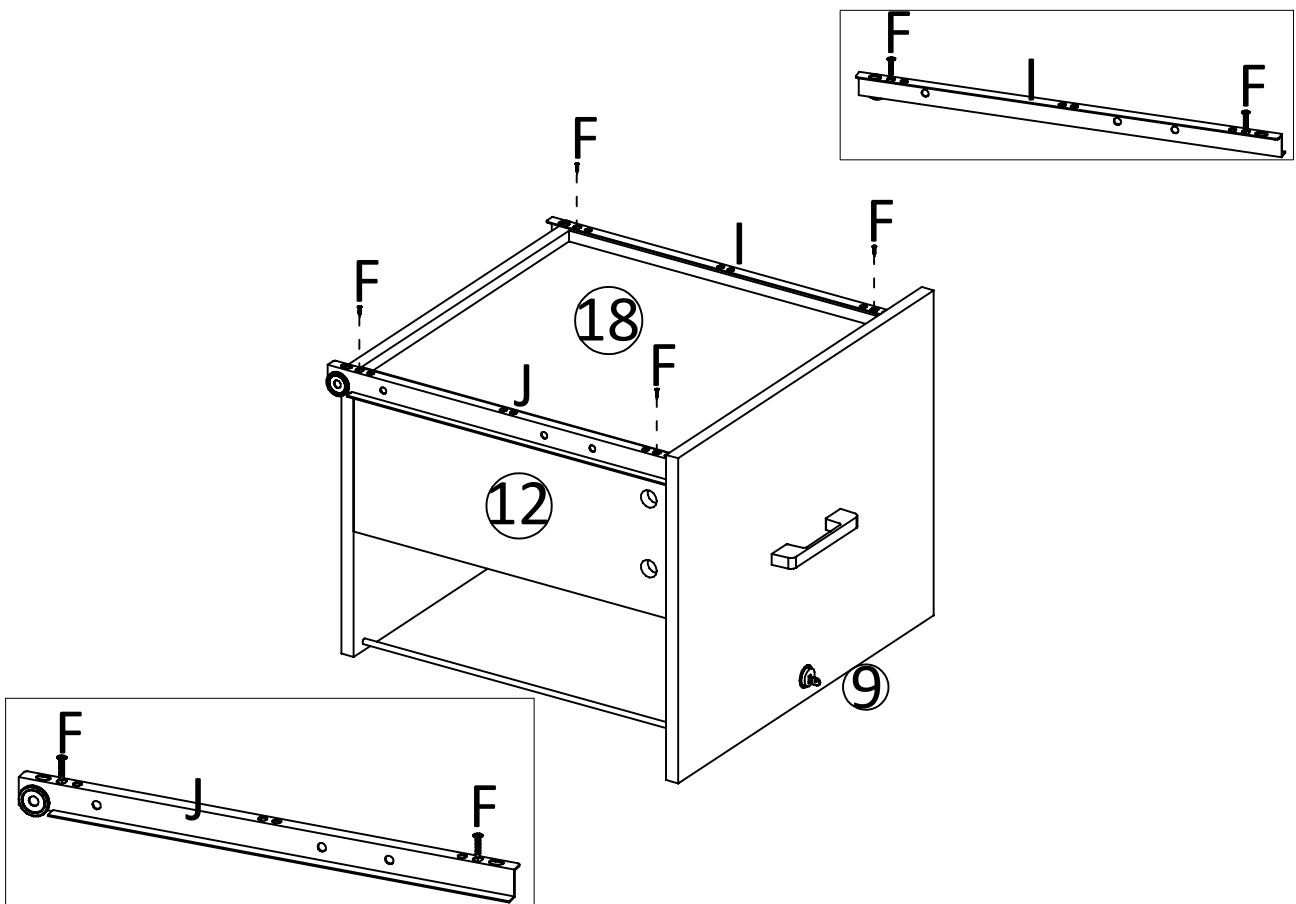
# ASSEMBLY STEPS

## Installation requirements and accessories



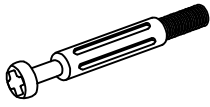
### STEP 15

Flip the drawer over, J is at 12, I is at 11, and fix the holes with F according to the schematic diagram.



# ASSEMBLY STEPS

## Installation requirements and accessories



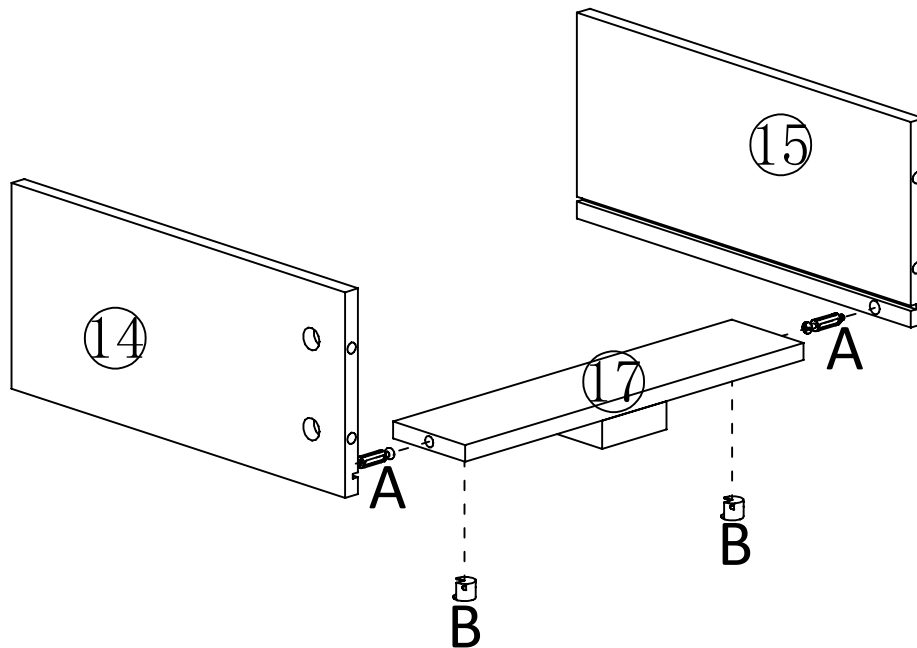
A×2 PCS



B×2 PCS

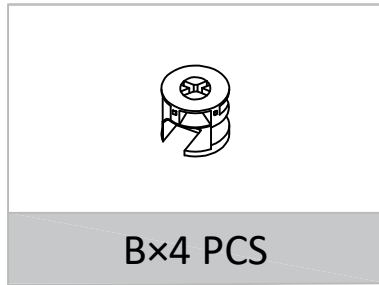
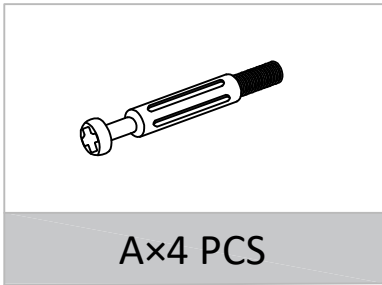
### STEP 16

A is screwed into the white particles of 14 & 15, 17 is linked to 14 & 15, and fixed with B.



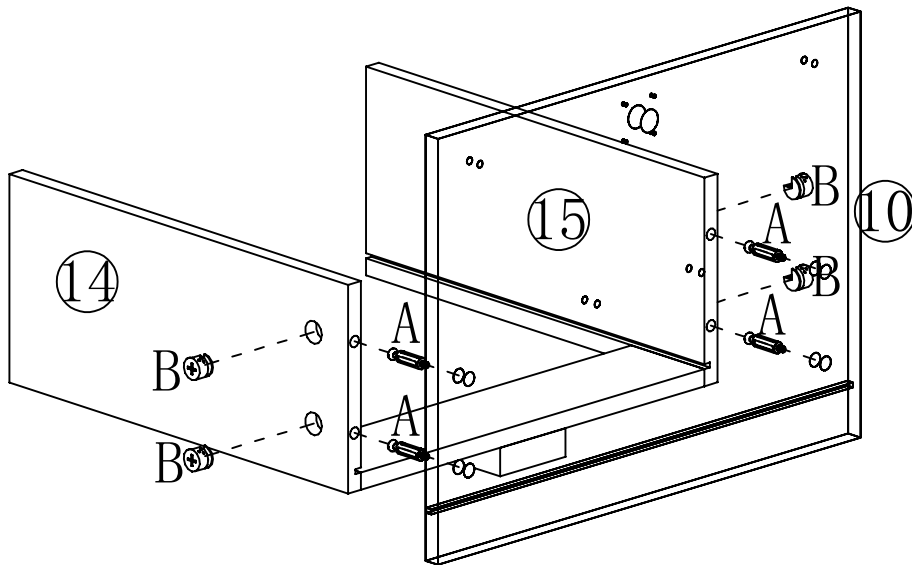
# ASSEMBLY STEPS

## Installation requirements and accessories



### STEP 17

Insert A into 10 white particles, link 14 & 15, and secure with B.

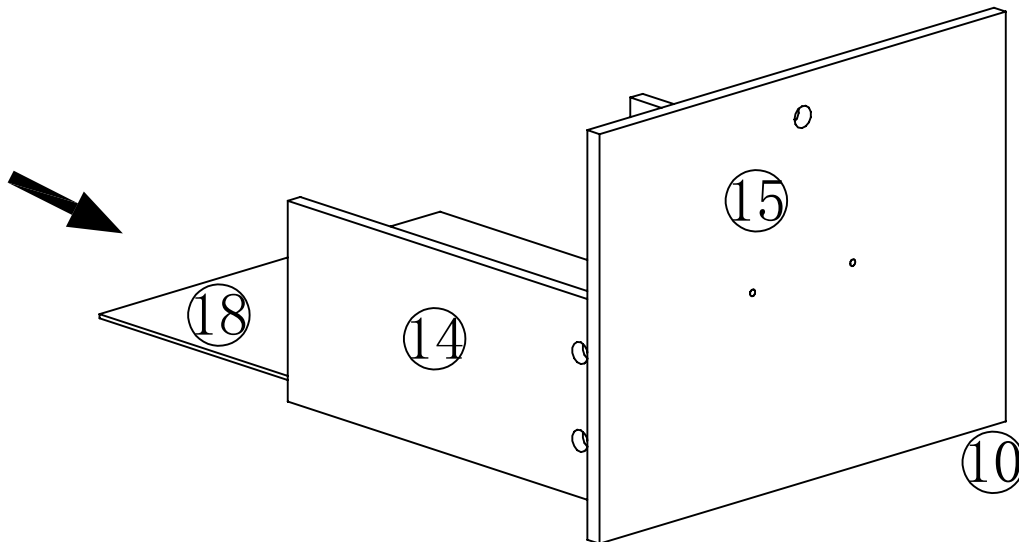


# ASSEMBLY STEPS

Installation requirements and accessories

## STEP 18

Insert 18 into slots 10&14&15.

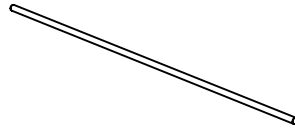


# ASSEMBLY STEPS

## Installation requirements and accessories



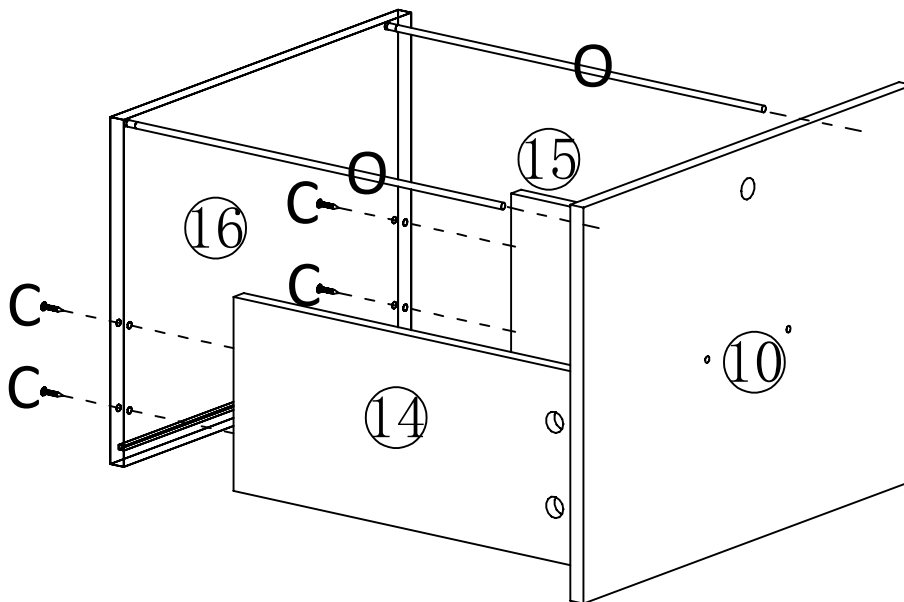
C×4 PCS



O×2 PCS

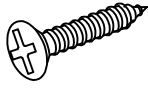
### STEP 19

C passes through 16 links 14 and 15, while O is inserted into the holes corresponding to 10 and 16.

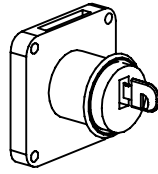


# ASSEMBLY STEPS

## Installation requirements and accessories



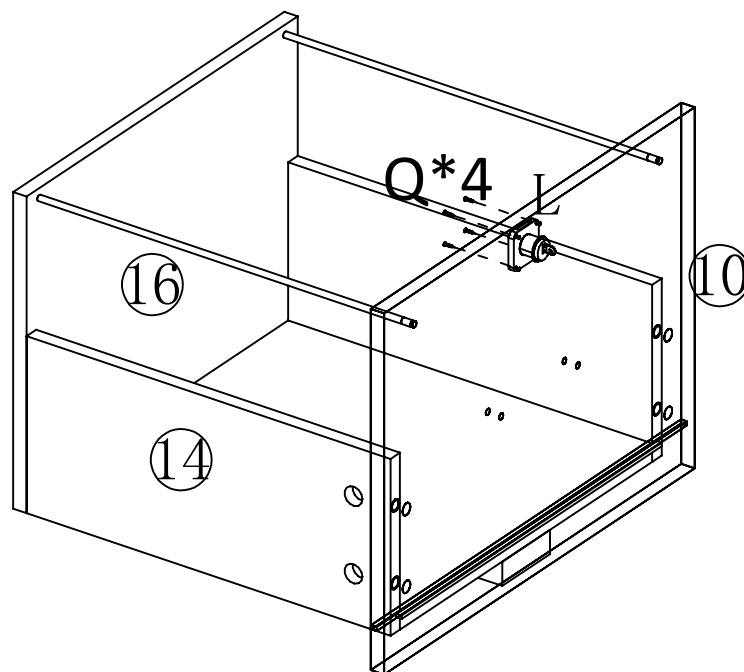
Q×4 PCS



L×1 PC

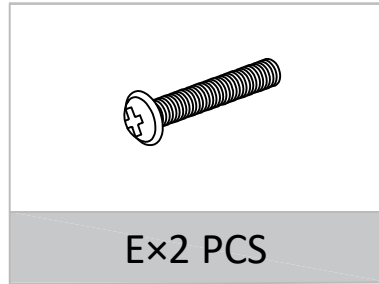
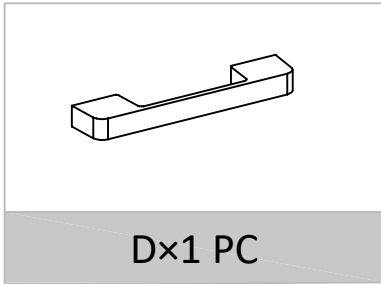
### STEP 20

Remove the L circle, insert the lock into 10, fix the front with a circle, and fix the back with Q.



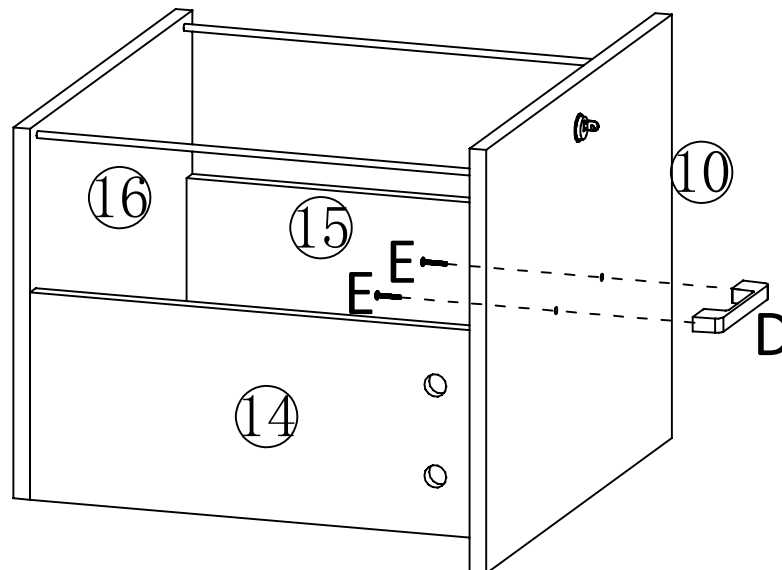
# ASSEMBLY STEPS

## Installation requirements and accessories



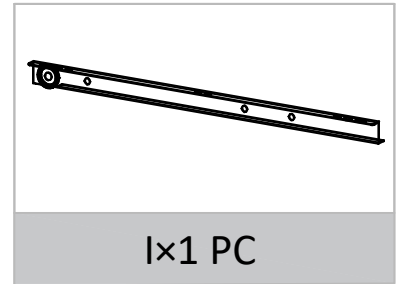
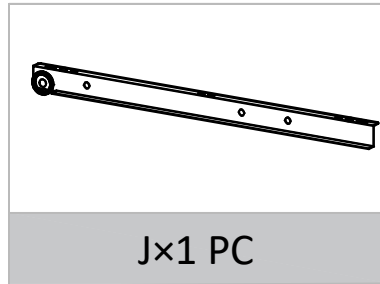
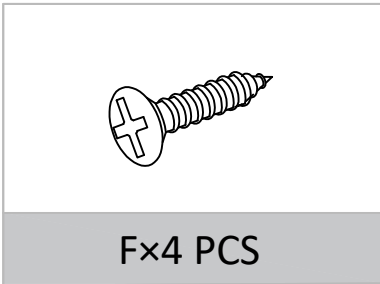
### STEP 21

E passes through 10 from the back, and D is fixed on the front.



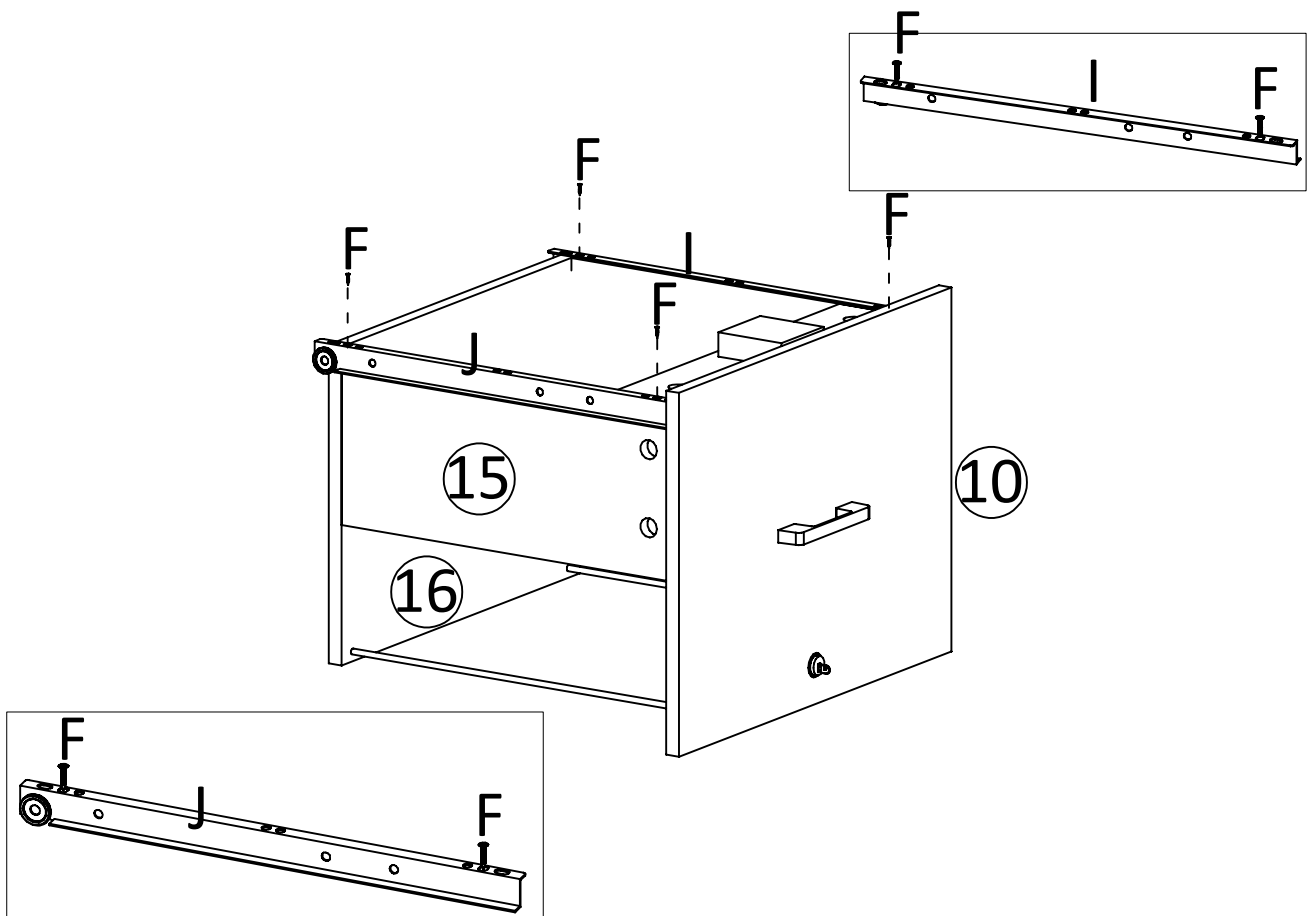
# ASSEMBLY STEPS

## Installation requirements and accessories



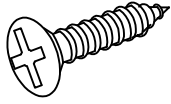
### STEP 22

Flip the drawer over, J is at 15, I is at 14, and fix the holes with F according to the schematic diagram.

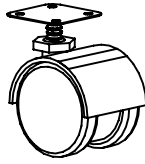


# ASSEMBLY STEPS

## Installation requirements and accessories



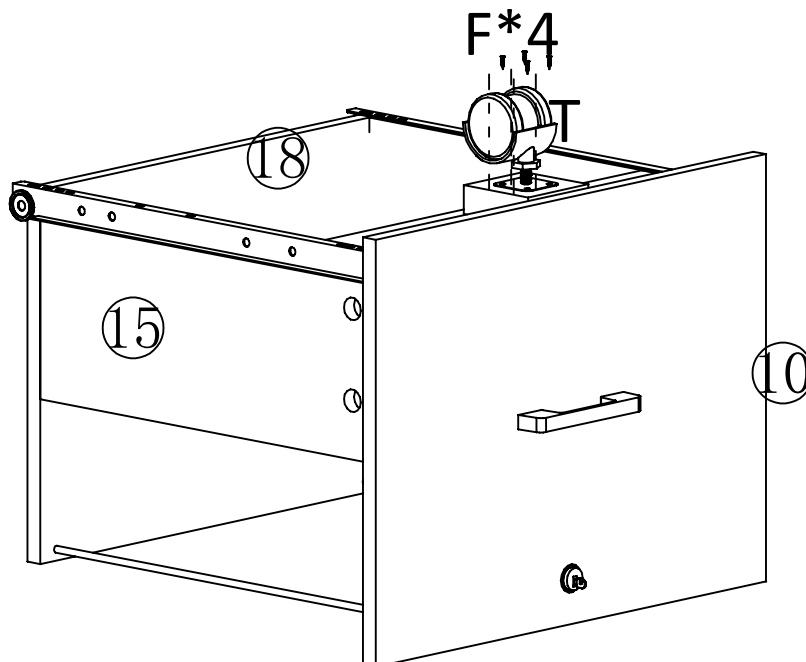
F×4 PCS



T×1 PC

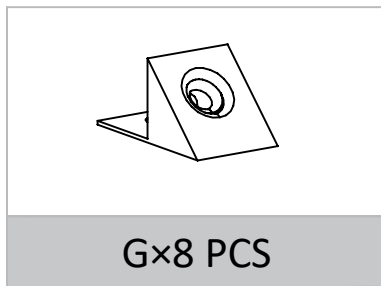
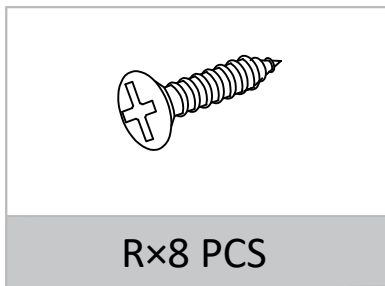
### STEP 23

Align T with the positioning hole of the small wooden block and fix it with F.



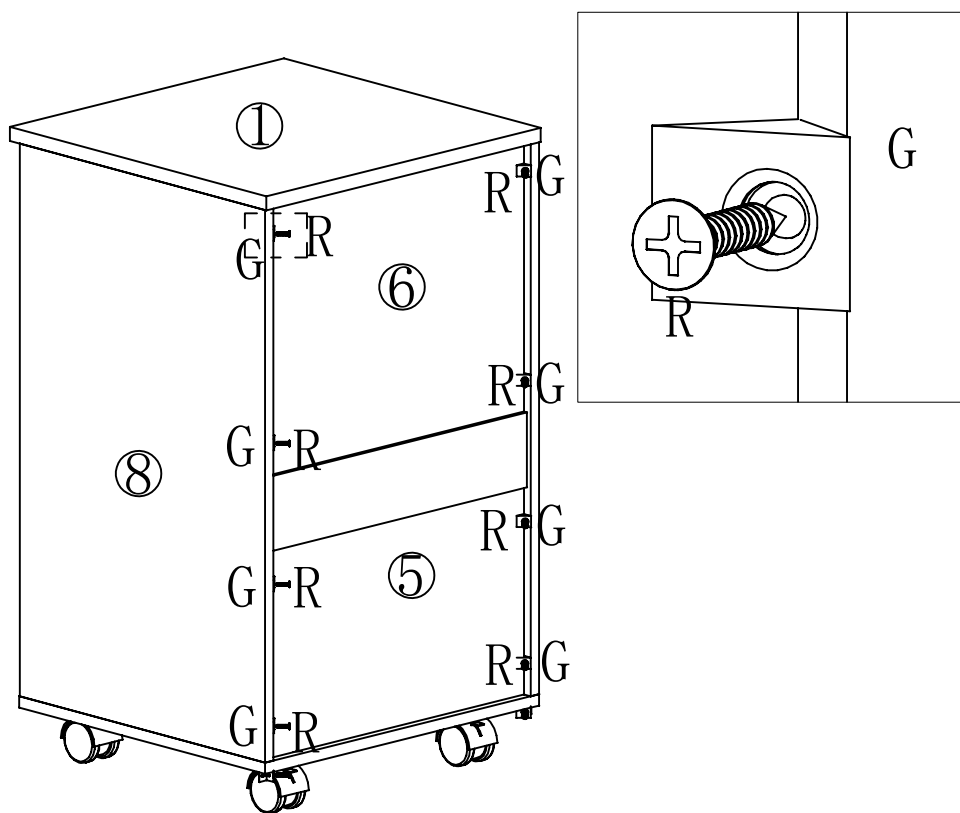
# ASSEMBLY STEPS

## Installation requirements and accessories



### STEP 24

Insert G into the gap of the backboard and fix it with R.

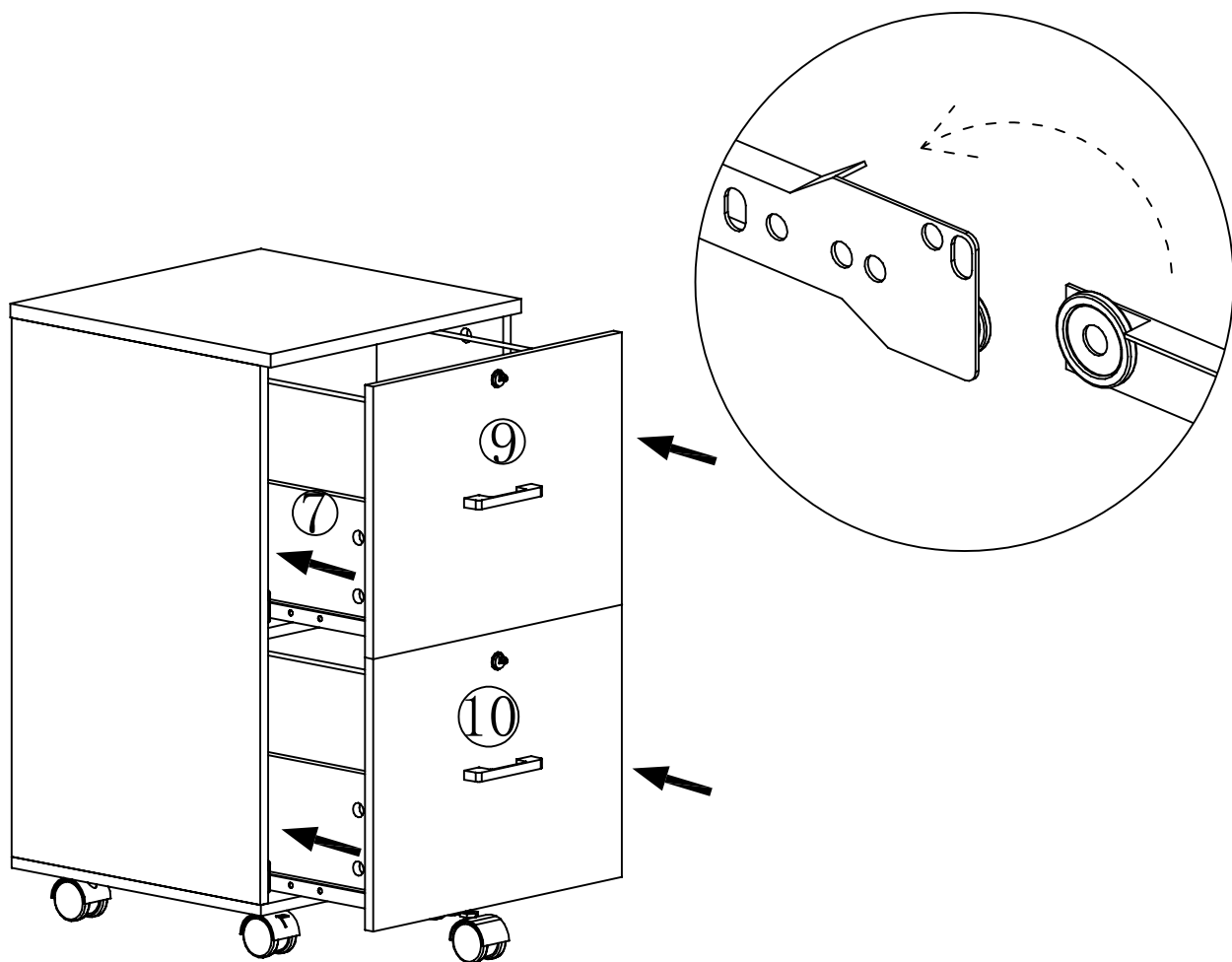


# ASSEMBLY STEPS

Installation requirements and accessories

## STEP 25

9 on top, 10 on bottom, insert the assembled drawer into the cabinet.



## 1. What should I do when I received a defected item?

Please feel free to email us if you have purchased this item with your order ID, pictures of the defective areas to us. We are eager to help you to make it right.

---

## 2. Is it easy to put the screws to the panels?

Yes. As long as you follow the instruction and use the correct screws and put it in correct holes, it is easy to screw it into pre-drilled holes.

---

# Supplementary Instructions for Safe Use

## ⚠ WARNING



Children have died from furniture tipover. To reduce the risk of furniture tipover:

- ALWAYS install tipover restraint provided.
- NEVER put a TV on this product.
- NEVER allow children to stand, climb or hang on drawers, doors, or shelves.
- NEVER open more than one drawer at a time.
- Place heaviest items in the lowest drawers.
- Do not defeat or remove the drawer interlock system.

This is a permanent label.  
Do not remove!

## ⚠ ATTENTION



Des enfants sont morts du basculement des meubles. Pour réduire le risque de basculement des meubles:

- TOUJOURS installer la retenue de basculement fournie.
- NE JAMAIS mettre de téléviseur sur ce produit.
- NE JAMAIS permettre aux enfants de se tenir debout, de grimper ou de s'accrocher à des tiroirs, des portes ou des étagères.
- N'ouvrez JAMAIS plus d'un tiroir à la fois.
- Placez les objets les plus lourds dans les tiroirs les plus bas.
- Ne désactivez pas et ne retirez pas le système de verrouillage du tiroir.

Ceci est une étiquette permanente.  
Ne pas enlever!

## ⚠ WARNUNG



Kinder sind an einem Möbelkippen gestorben. So verringern Sie das Risiko eines Umkippens von Möbeln:

- Installieren Sie IMMER die mitgelieferte Kipprückhaltevorrichtung.
- Stellen Sie NIEMALS einen Fernseher an dieses Produkt.
- Lassen Sie Kinder NIEMALS an Schubladen, Türen oder Regalen stehen klettern oder hängen.
- Öffnen Sie NIEMALS mehr als eine Schublade gleichzeitig.
- Legen Sie schwerste Gegenstände in die untersten Schubladen.
- Besiegen oder entfernen Sie das Schubladenverriegelungssystem nicht.

Dies ist ein dauerhaftes Etikett.  
Nicht entfernen!