

W Series

Installation Instructions for all standard bottle sizes (WS1, WS2, WS3, WS4)

Parts List

- 1 Base strip
- 1 Neck strip
- 4 or 6 mounting hole caps
- 2 Plastic Couplers
- 2 or 4 Spiral drywall anchors
- 4 or 6 screws
- 2 toggle bolts

Required Tools

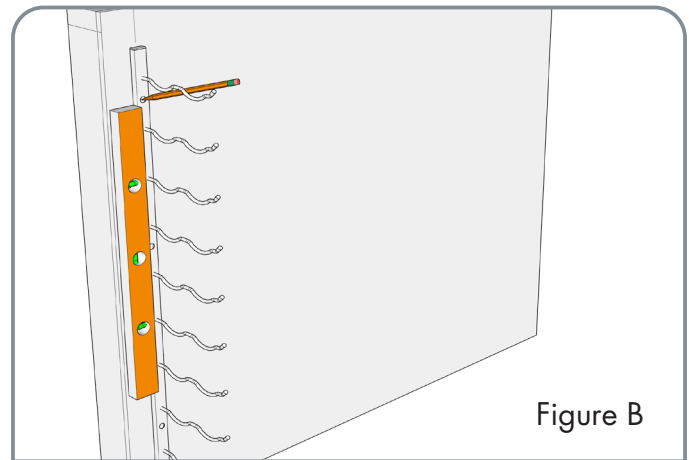
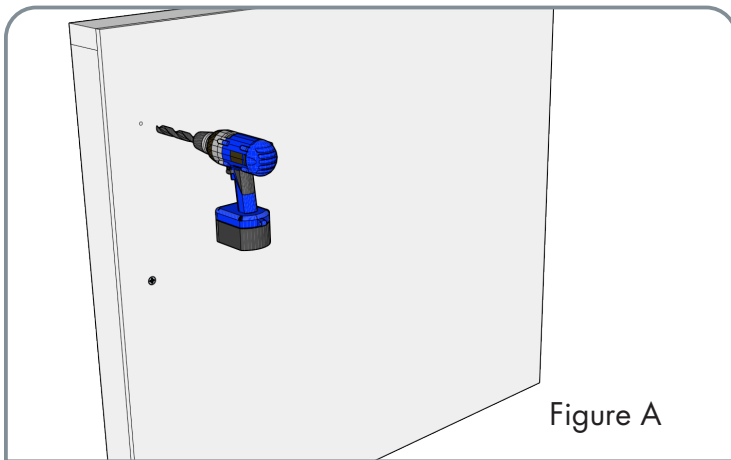
- Phillips head screw driver
- Level
- Pencil
- Tape Measure
- Drill

Installation Notes:

If installing W Series racks to a W Series Frame, use the self-drilling screws and instructions supplied with the frame to attach racking.

For concrete, brick or stucco installs, use $3/16'' \times 1\frac{1}{4}''$ masonry screw or #8 x $1\frac{1}{4}''$ screw with appropriate size expanding concrete anchor (not included)

1. Choose bottle direction — Decide if you want the necks of the bottles facing left or right, and identify the base from the neck strip (base features wider support divits that rest lower on the frame).



2. Lay out the wall — Starting at least $2\frac{3}{4}''$ (70 mm) from adjacent wall or other obstructions, mark the centerline of the first strip. From there, measure $7\frac{1}{2}''$ (190.5mm) from that mark for the distance between the neck and the base strips.

3. Mark the hole location for the strip — Hold either the neck or base strip of the rack in place against the wall, centered on the first mark the appropriate distance above the floor. Ensure that the rack is plumb using a level and mark the hole locations with a pencil. Set the strip aside.

4. Check for Studs — Drill $1/16''$ (1.5mm) pilot

holes at the marked locations to check for studs or wood backing.

Pro Tip: If installing multiple columns, mark the centerline for the next strip $5\frac{1}{2}''$ (139.7mm) from the second mark and mark again $7\frac{1}{2}''$ (190.5mm) from that mark for the distance between the neck and the base strips. To lay out additional columns, mark the wall, alternating between $5\frac{1}{2}''$ and $7\frac{1}{2}''$.

Smaller bottles: If installing racking for 375mL bottles, we recommend adjusting the $7\frac{1}{2}''$ centerline dimension to $5\frac{1}{2}''$ (139.7mm) between the base and neck strips.

Instructions

5a. If drywall — For the lower two holes use a Phillip's head screw driver to screw the Spiral Dry-wall Anchors in the wall until the anchor is flush with the wall. For the top mounting point, drill a 13/32" (10.3mm) hole for a Toggle Bolt.

5b. If wood or stud — Skip to end of step 6.

6. Hang the first strip — **If drywall**, take a toggle bolt and remove the expanding nut. Insert the bolt through the top mounting hole of either the base or neck strip. With the wings of the nut oriented to fold toward the head of the bolt, thread the expanding nut onto the bolt so the tip of the bolt starts to protrude from the end of the nut. Hold the strip so the toggle bolt aligns with the top hole and gently push the expanding nut through the wall. Ensure that the wings have fully expanded on the back side of the wall and gently tighten, verifying the necks remain level. Secure the rest of the strip in

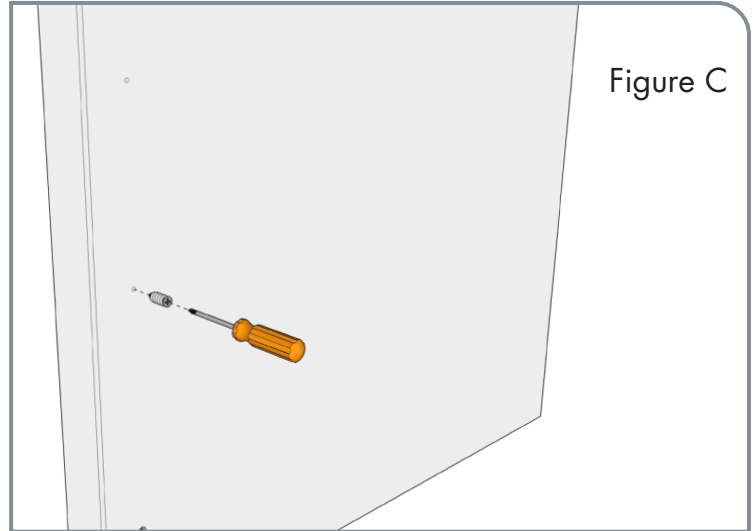


Figure C

place through the bottom two mounting holes with the provided screws and fully tighten the toggle bolt.

If wood, substitute provided drywall anchors with provided wood screws and install the strip to wall as defined above.

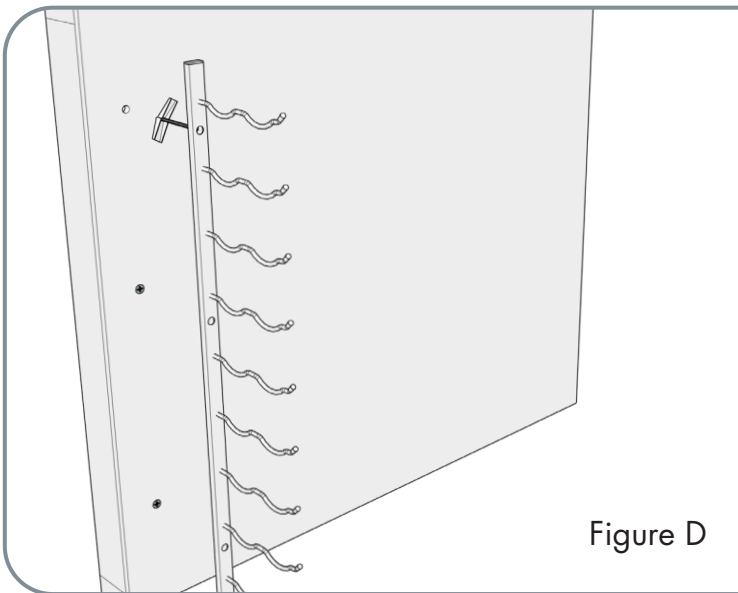


Figure D

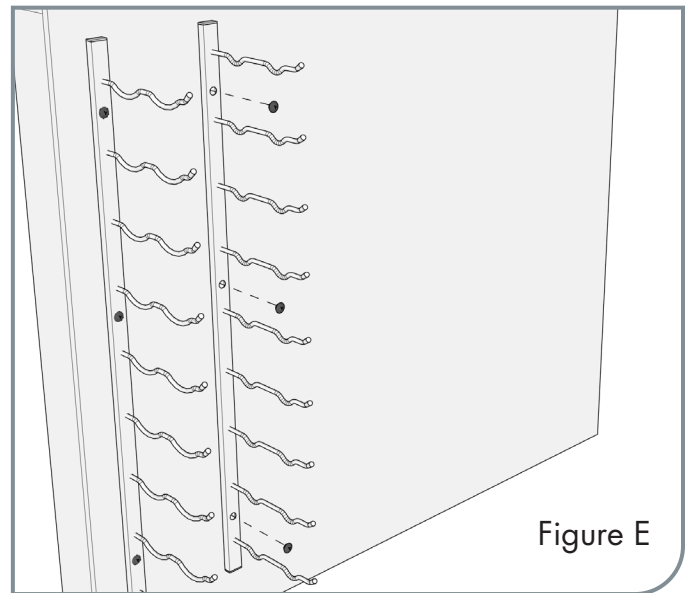


Figure E

7. Hang the second strip — Repeat steps 3 through 6 with the second strip, centering it horizontally with the second mark on your wall from Step 1 and ensuring that the tops of the strips are even with each other.

Note: W Series racks are designed to stack, one on top of the other. Remove the endcaps from the racking and use the supplied couplers to align the two racks when stackings.

8. Install mounting hole caps — in the 1/2" holes on the face of the rack by pressing into place.

9. Add wine — Only the good stuff.