

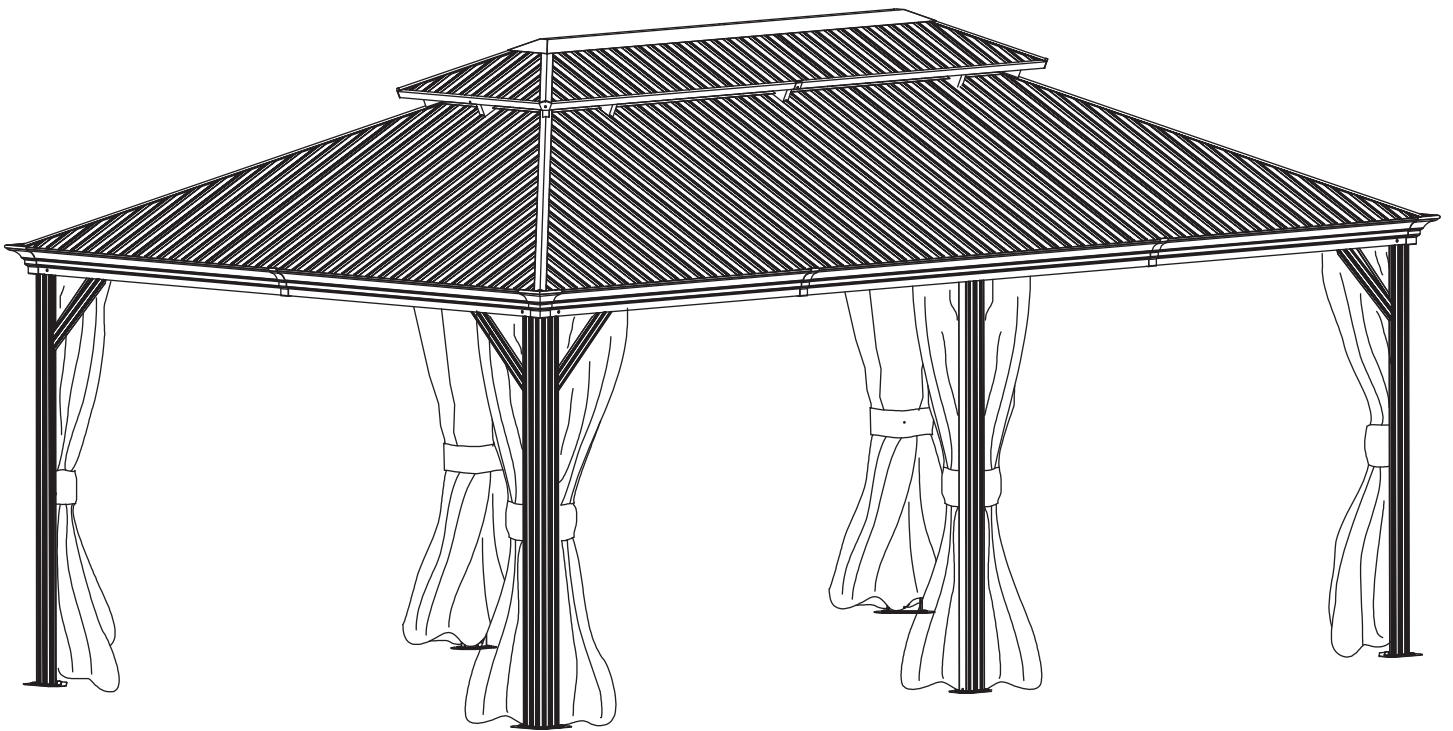
# ASSEMBLY INSTRUCTIONS

---

# METAL GAZEBO SHED

---

SKU: T-GZB23-0342-20BK













E-mail:  
[hofficeservice@gmail.com](mailto:hofficeservice@gmail.com)



Please read the manual carefully  
before installation.

---

# WALL PARTS

 <p>A X4</p>	 <p>A1 X2</p>	 <p>J1 X4</p>	 <p>J2 X6</p>
 <p>B X2</p>		 <p>B1 X2</p>	
 <p>B2 X2</p>		 <p>C X2</p>	
 <p>C1 X2</p>	 <p>D X4</p>		

# WALL PARTS



D1 X4



E X4



E1 X4



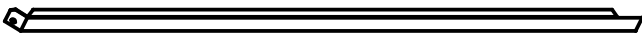
F X4



F1 X4



G5 X2



G6 X2



G7 X2



G8 X2

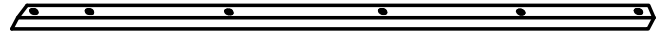


G9 X2

# WALL PARTS



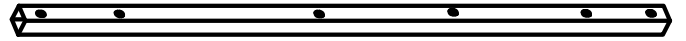
G10 X2



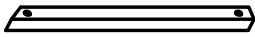
H X4



H1 X4



H2 X8



H3 X8



K X1



K1 X1



S X2


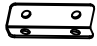




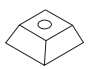


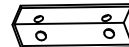


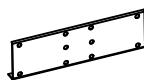
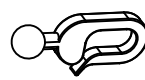
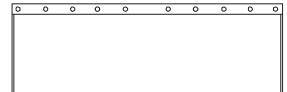
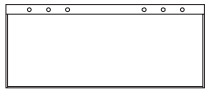
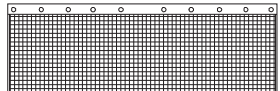
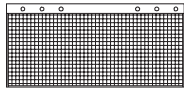
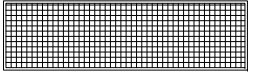


S1 X2

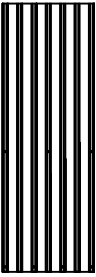

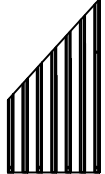
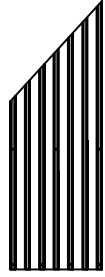
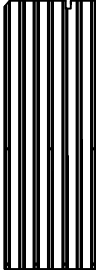
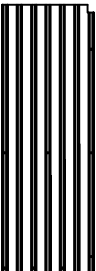

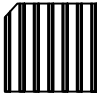


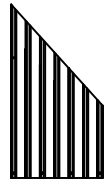



W X4

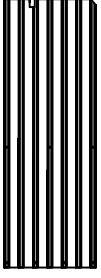
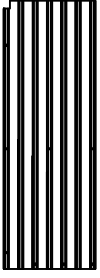

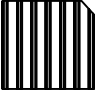

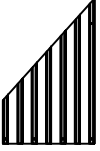
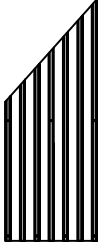
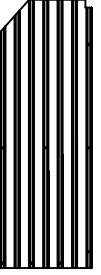


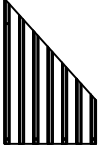
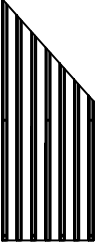
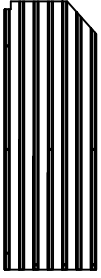
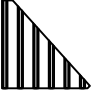
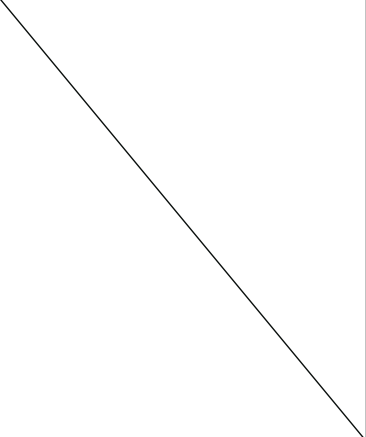
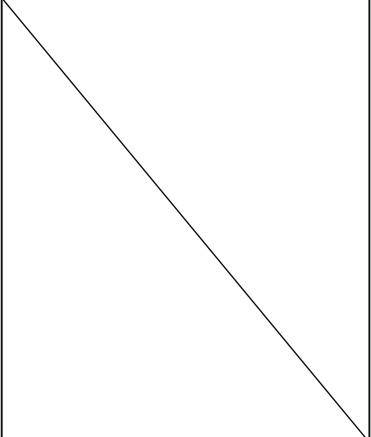
# ROOF PARTS

 <p>W1 X4</p>	 <p>M X8</p>	 <p>M1 X2</p>	
 <p>M2 X4</p>	 <p>M3 X16</p>	 <p>M4 X8</p>	 <p>M5 X180</p>
 <p>M6 X6</p>	 <p>M7 X2</p>	 <p>M8 X8</p>	 <p>M10 X4</p>
 <p>M11 X4</p>	 <p>P X6</p>	 <p>Q X104</p>	 <p>Z X4</p>
 <p>Z1 X2</p>	 <p>R X4</p>	 <p>R1 X2</p>	 <p>R2 X1</p>

# ROOF PARTS

 <p>N X4</p>	 <p>N1 X2</p>	 <p>N2 X2</p>	 <p>N3 X2</p>
 <p>N4 X2</p>	 <p>N5 X2</p>	 <p>N6 X2</p>	 <p>N7 X2</p>
 <p>N8 X6</p>	 <p>Y1 X2</p>	 <p>Y2 X2</p>	 <p>Y3 X2</p>

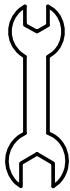
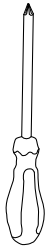


# ROOF PARTS

 <p>Y4 X2</p>	 <p>Y5 X2</p>	 <p>Y6 X2</p>	 <p>Y7 X2</p>
 <p>O1 X2</p>	 <p>O2 X2</p>	 <p>O3 X2</p>	 <p>O4 X2</p>
 <p>O5 X2</p>	 <p>V1 X2</p>	 <p>V2 X2</p>	 <p>V3 X2</p>
 <p>V4 X2</p>	 <p>V5 X2</p>	 <p>V6 X2</p>	 <p>V7 X2</p>


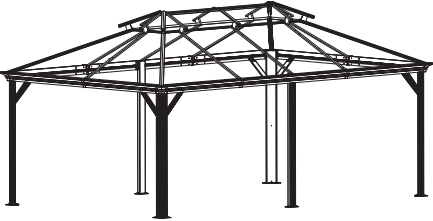
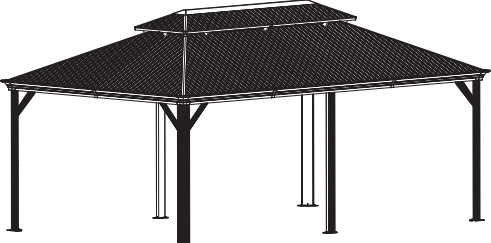
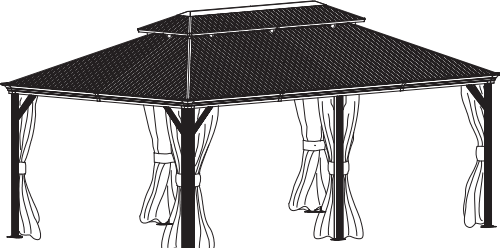
# SCREW

  <p><b>X (X272) M6*15</b></p>	  <p><b>X1 (X16) M6*10</b></p>
  <p><b>X2 (X100) M6*20</b></p>	  <p><b>X3 (X4) M6*30</b></p>
  <p><b>X4 (X16) 5*10</b></p>	  <p><b>X5 (X72) M6*42</b></p>
  <p><b>X6 (X8) M6*38</b></p>	  <p><b>X7 (X1) M5*25</b></p>
  <p><b>X8 (X32) M5*15</b></p>	  <p><b>X9 (X32) M6*10</b></p>
 <p><b>(X12) M6*50</b></p>	

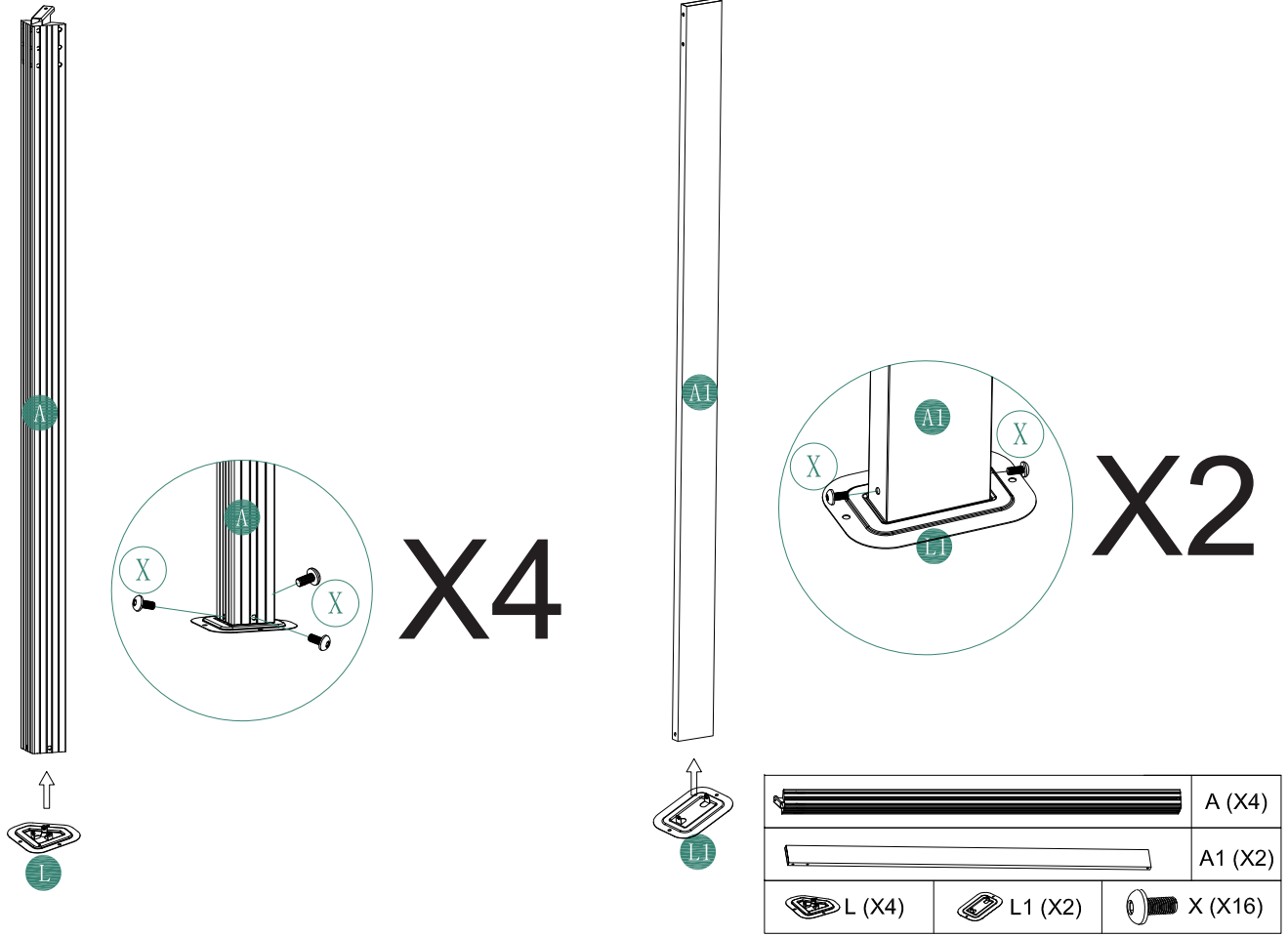
# TOOL

 X1	 X1	 X1	 X1
---	---	--	---

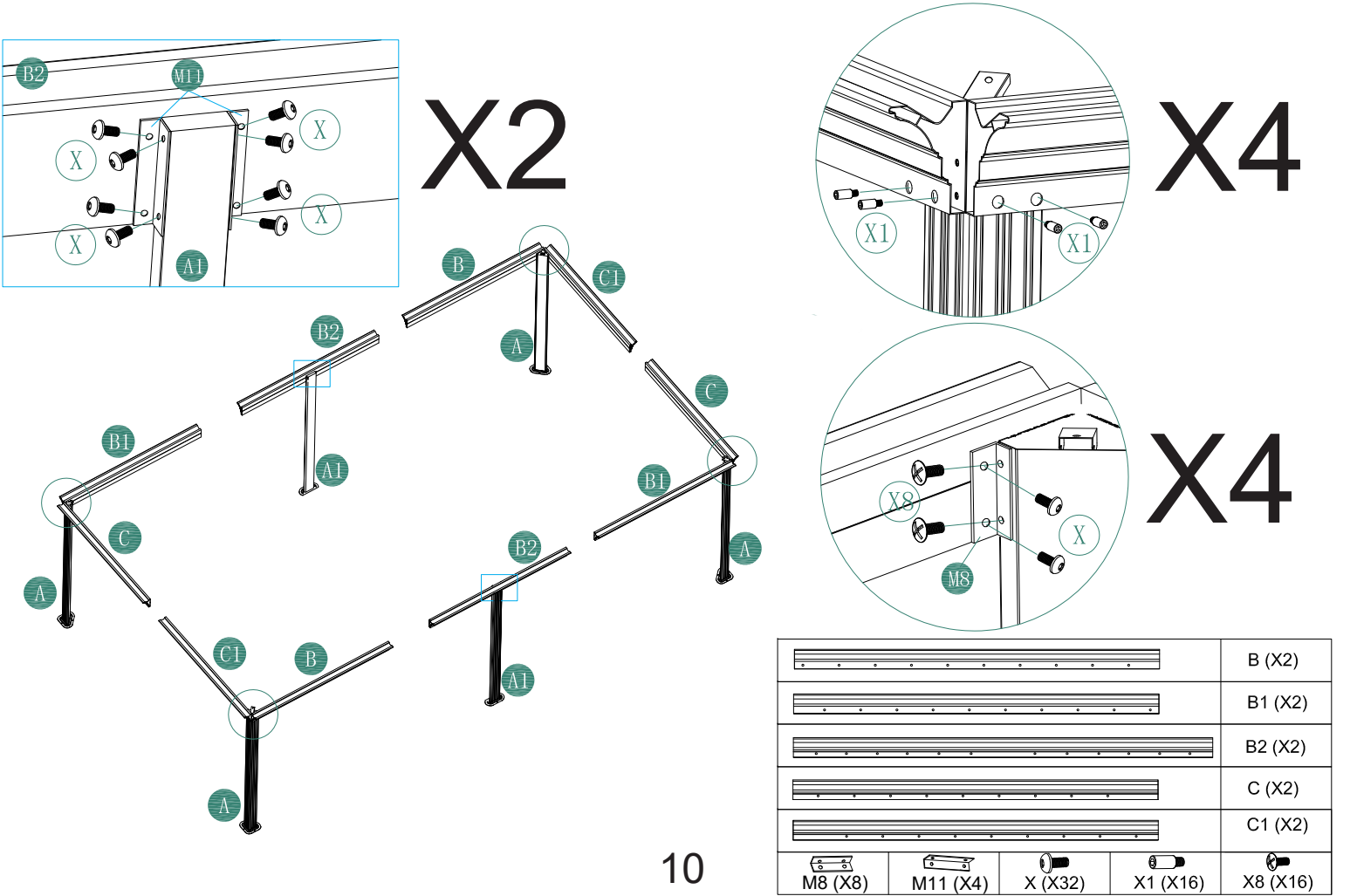
# CONTENTS

	Bottom frame	10-12 (page)
	Wall	13-15 (page)
	Roof	16-24 (page)
	Curtain	25-26 (page)

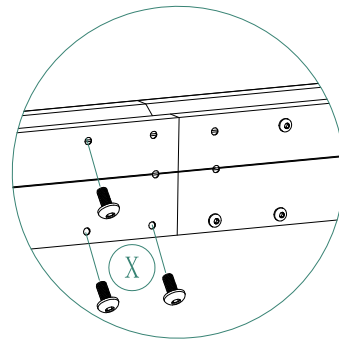
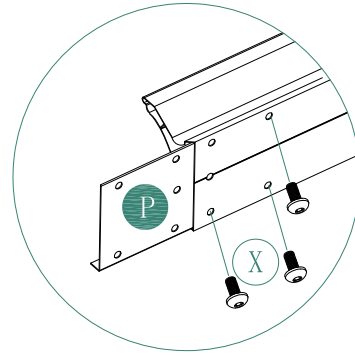
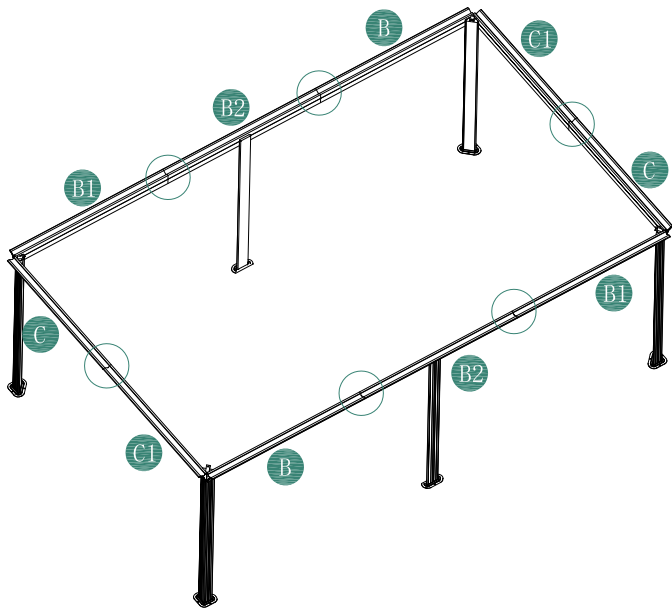
# STEP 1



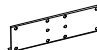
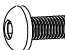
# STEP 2








# STEP 3

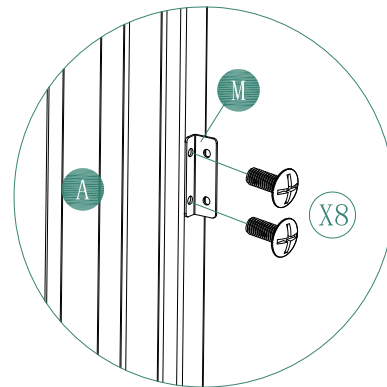
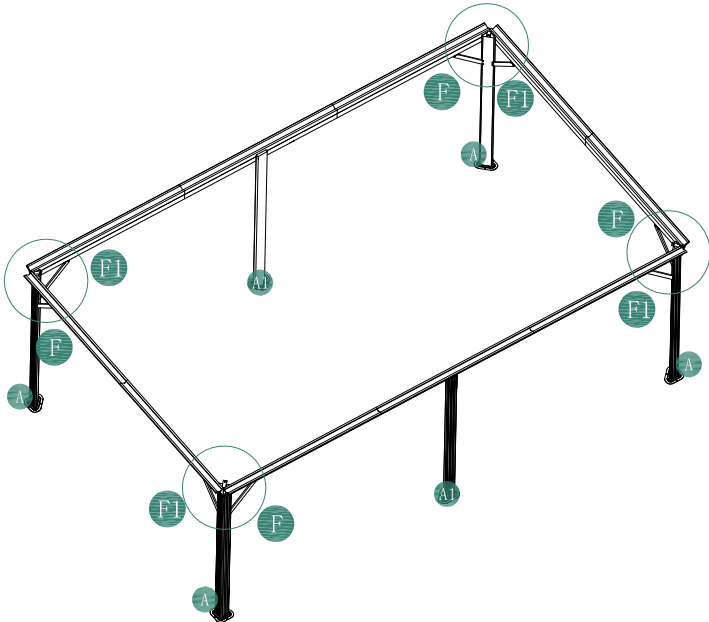


**X6**

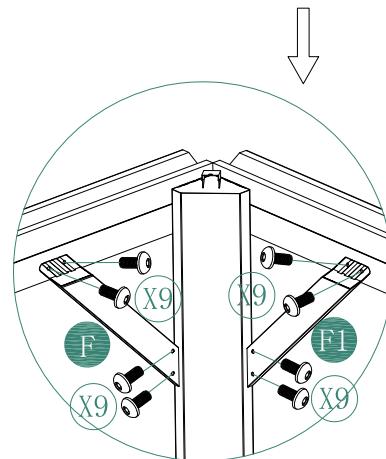
	P (X6)		X (X36)
---	--------	---	---------

# STEP 4

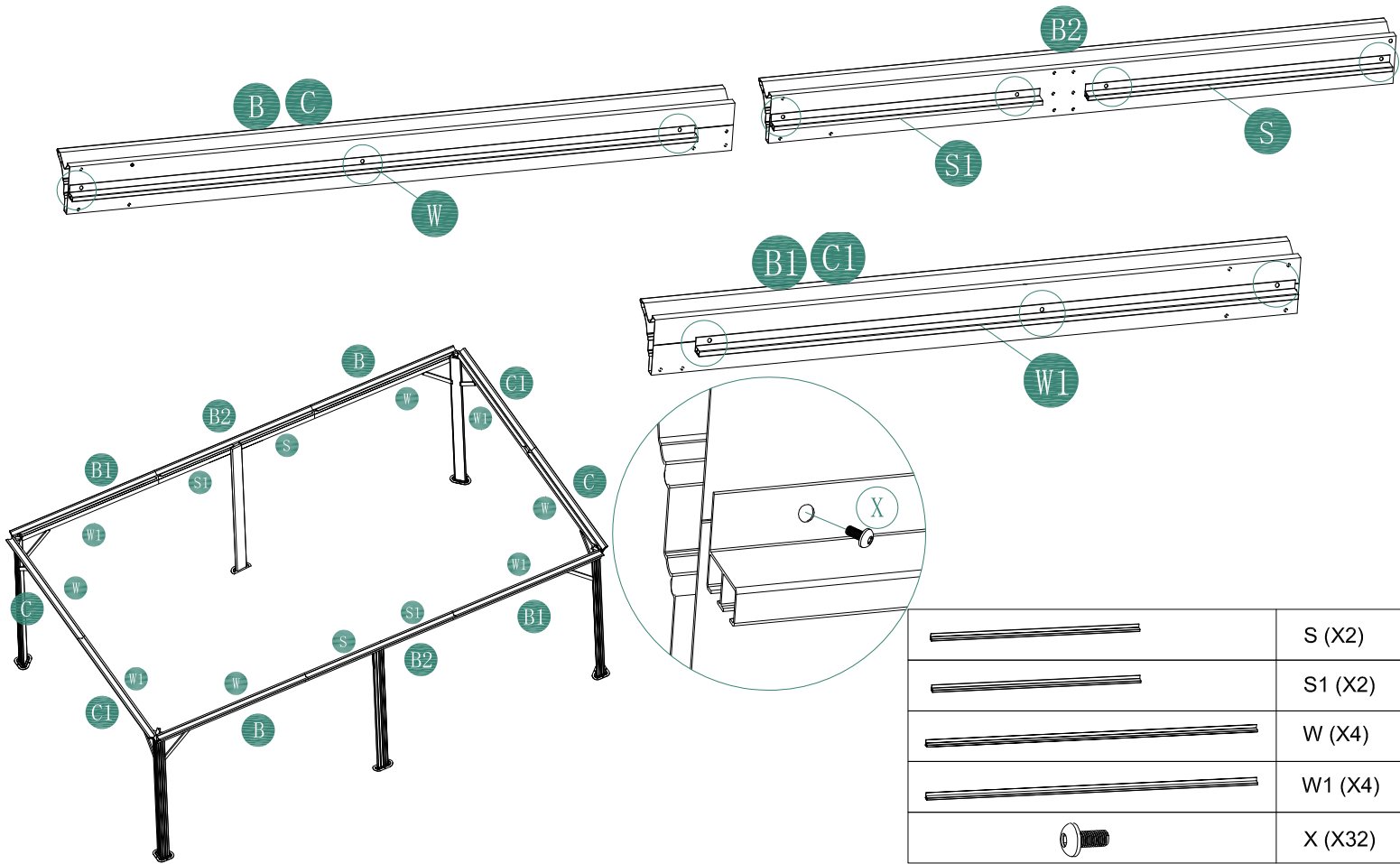
	F (X4)		F1 (X4)
	M (X8)		X8 (X16)
			X9 (X32)



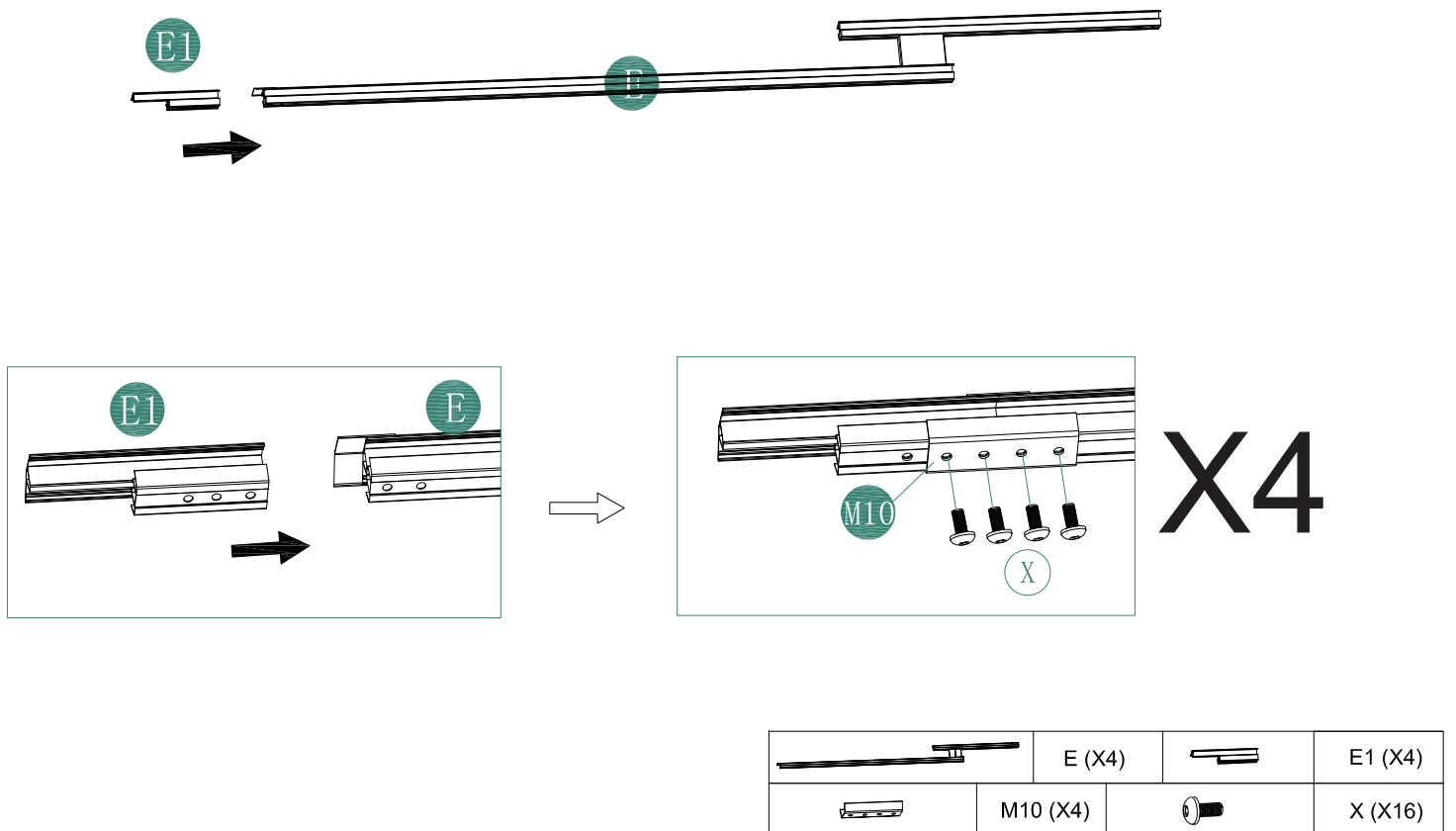
**X4**



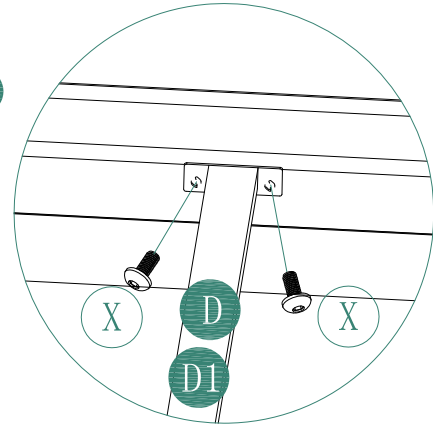
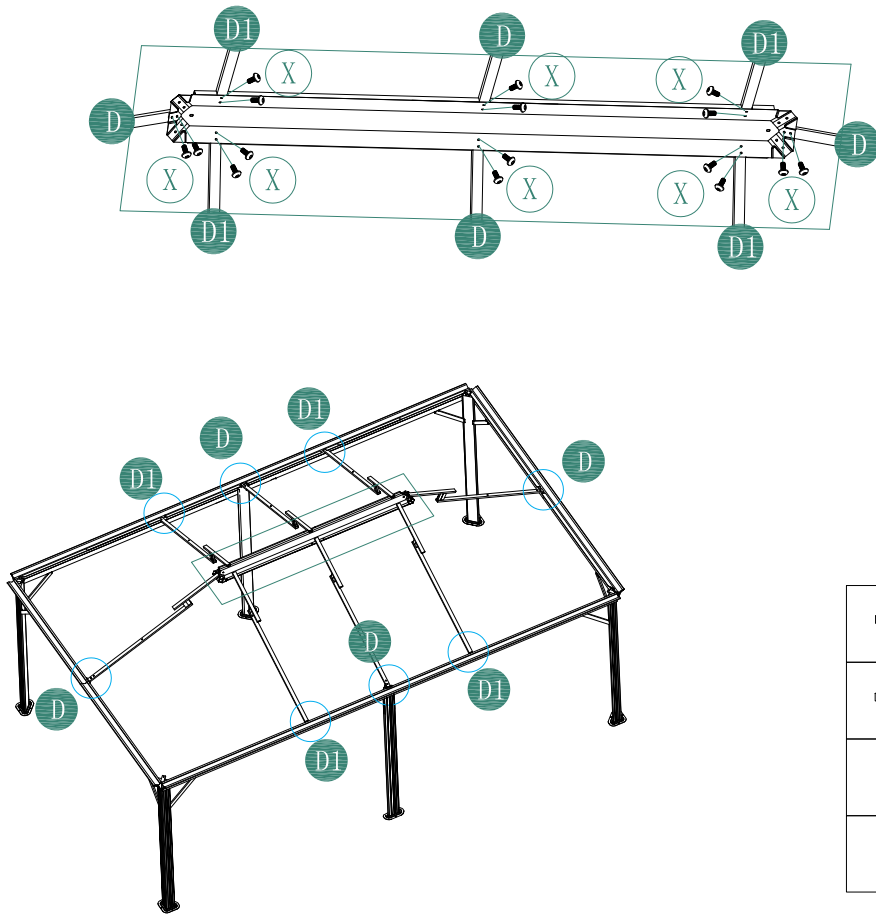
# STEP 5






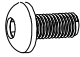
# STEP 6



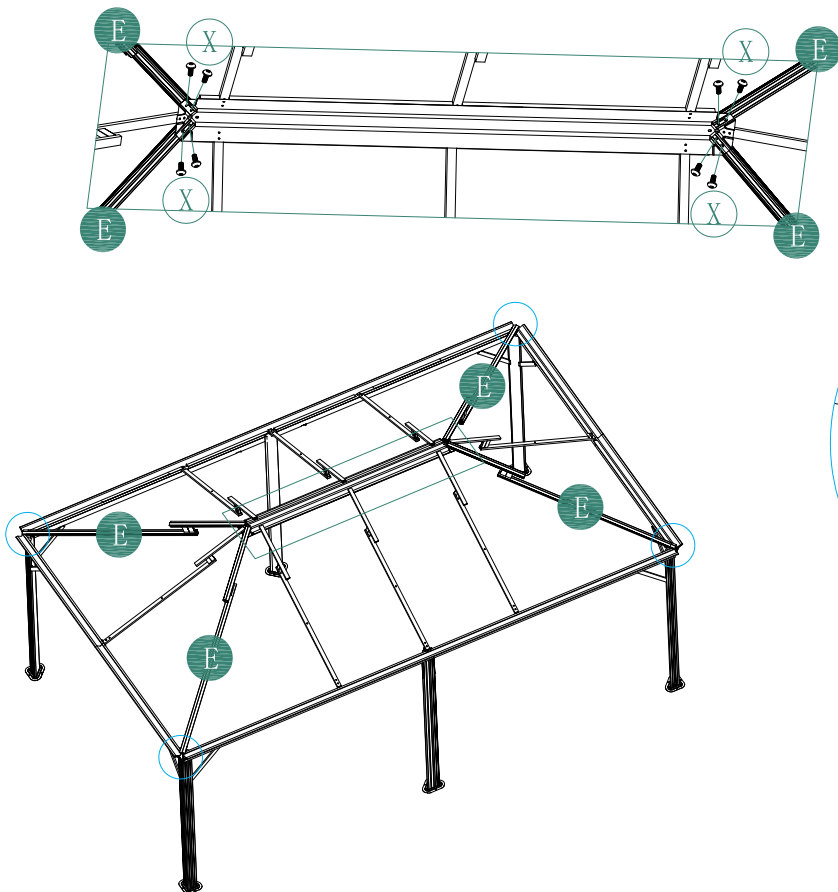
# STEP 7



X8

	D (X4)
	D1 (X4)
	K1 (X1)
	X (X32)

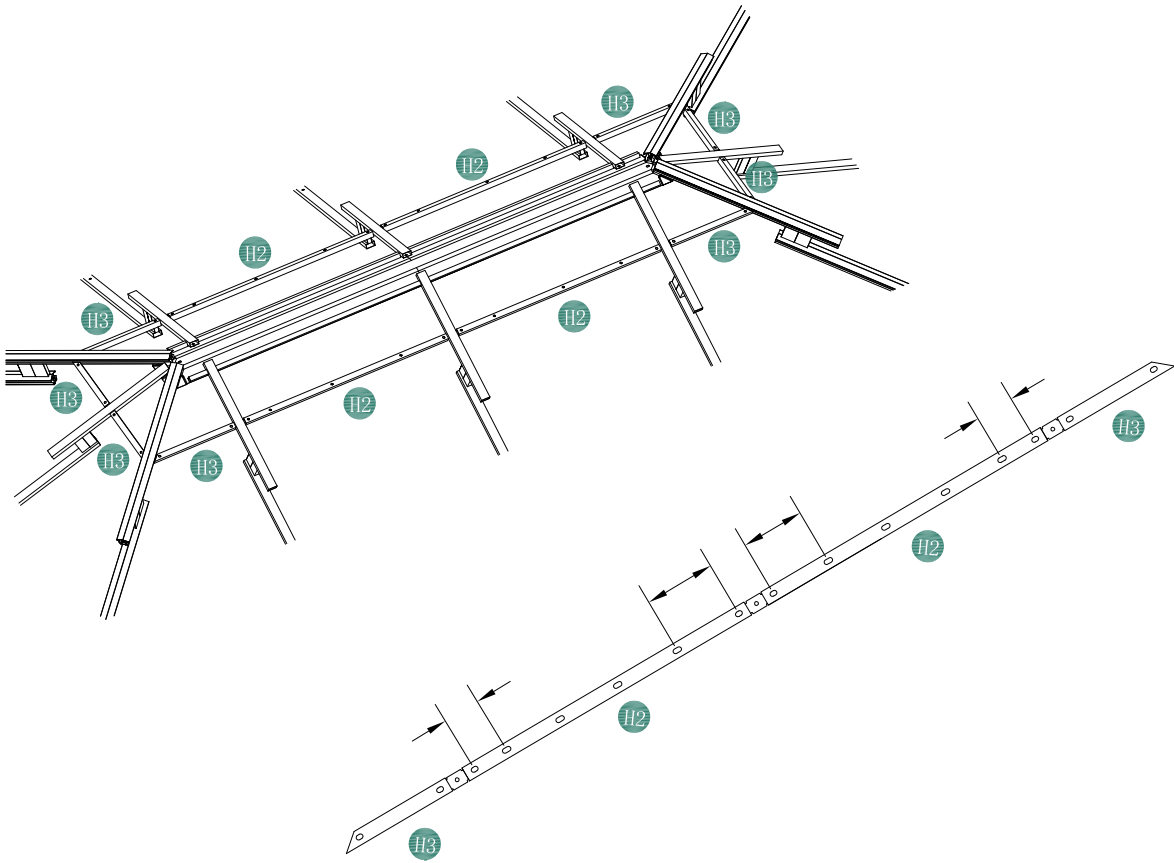
# STEP 8



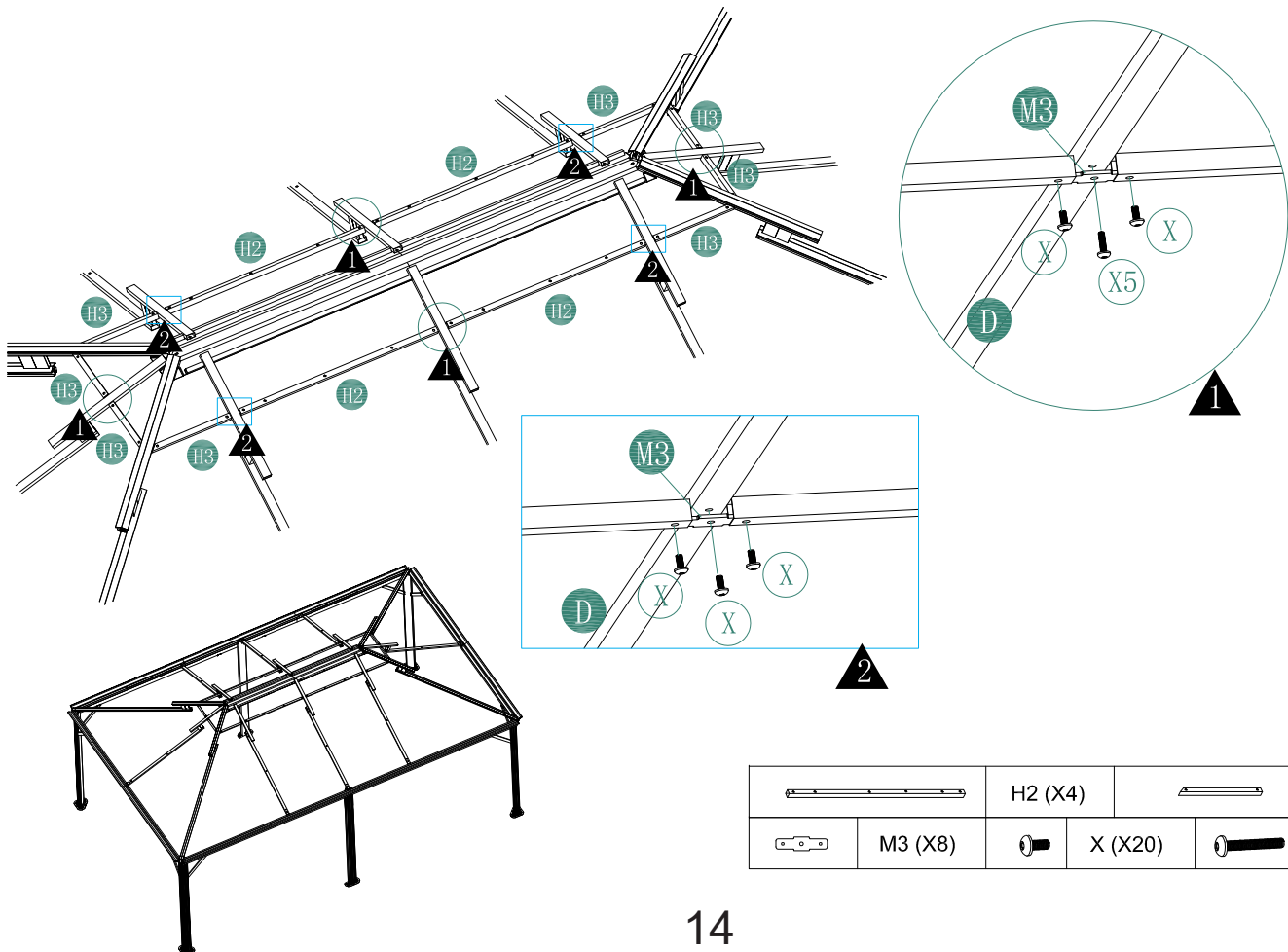
X4

	X (X12)
---	---------

# STEP 9

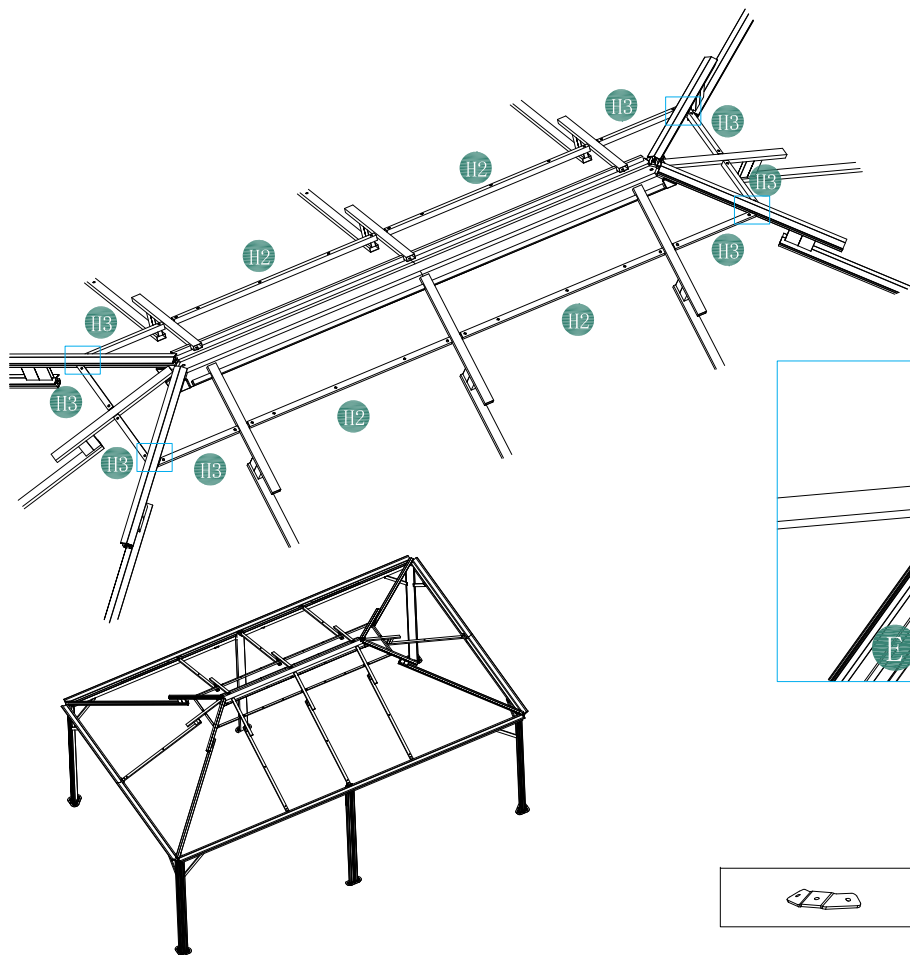


# STEP 10





	H2 (X4)		H3 (X8)
	M3 (X8)		X (X20)
			X5 (X4)

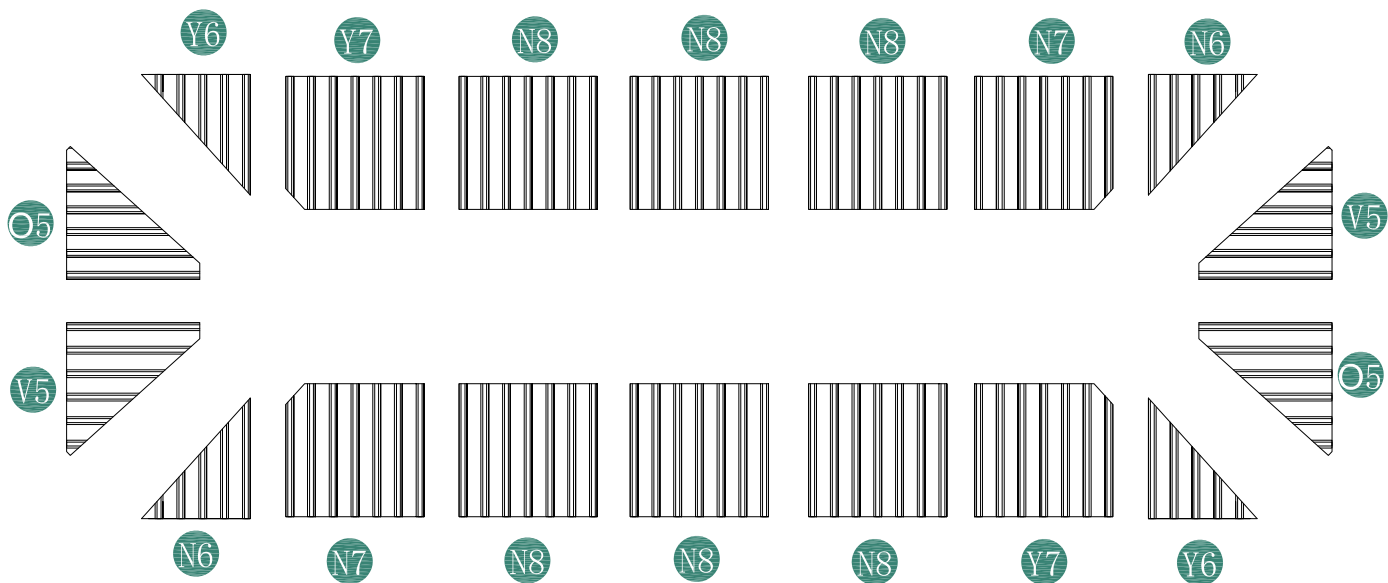
# STEP 11



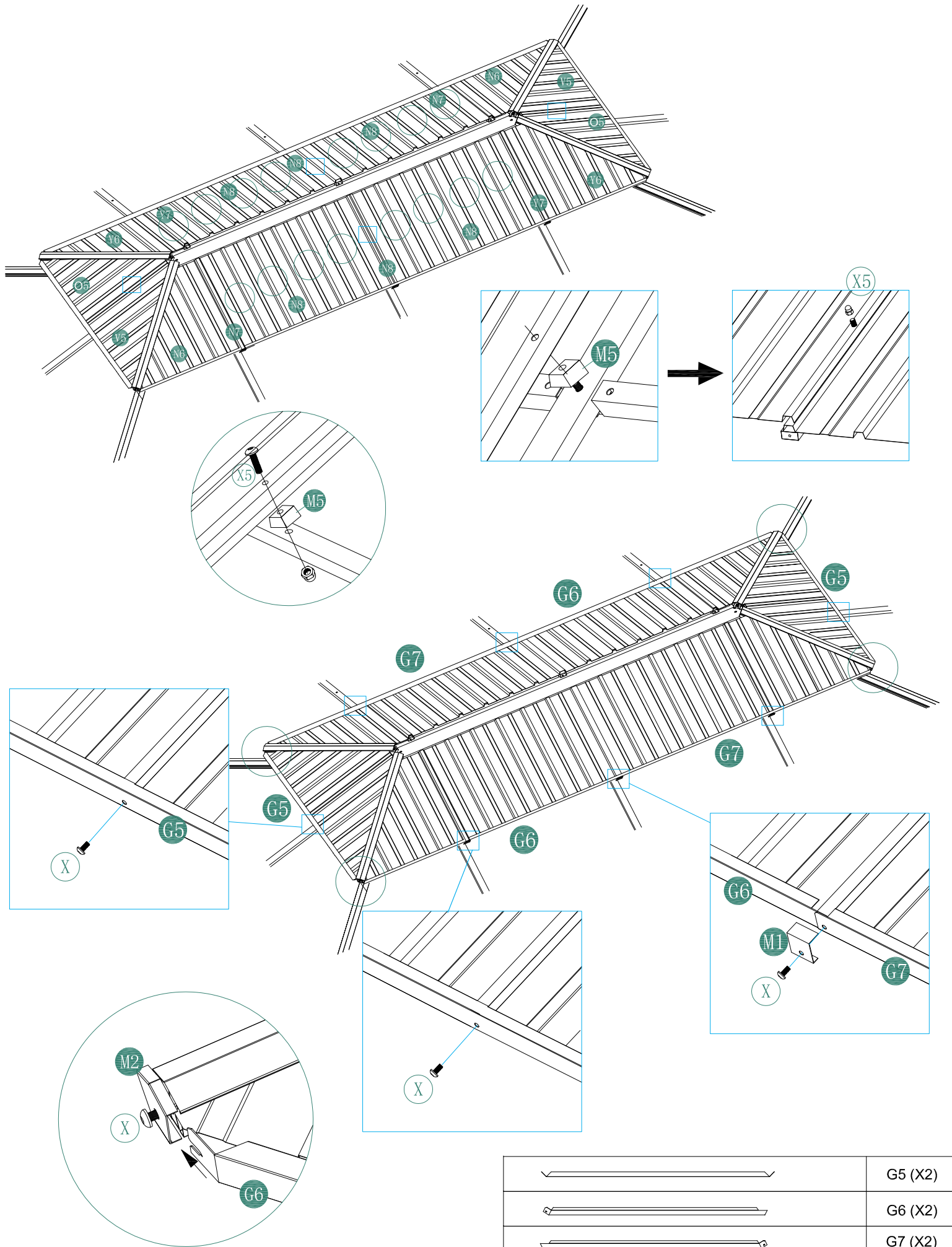
X4

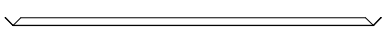


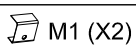
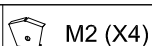
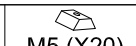
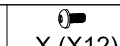
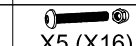
	M4 (X4)		X (X12)
---	---------	---	---------

# STEP 12

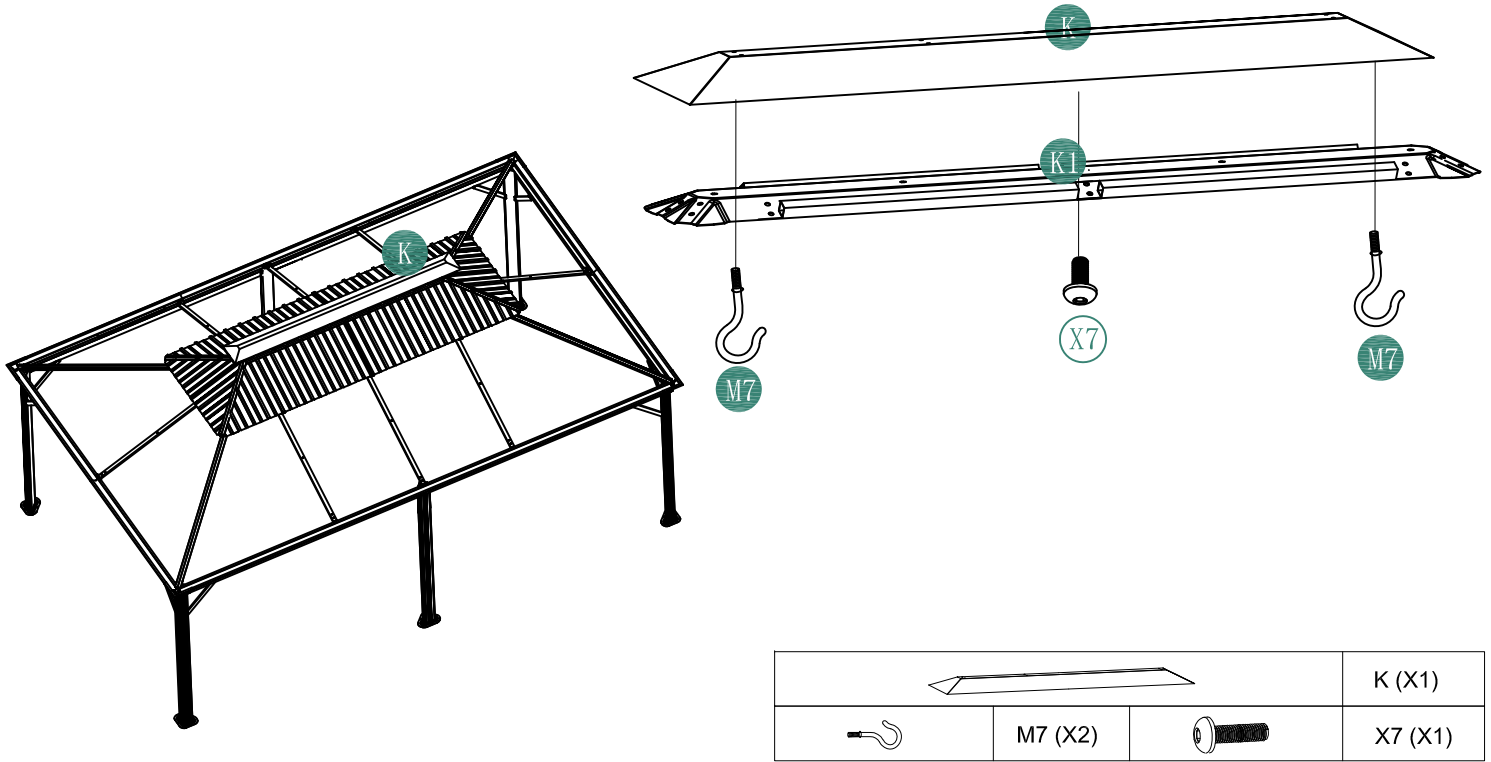


# STEP 13

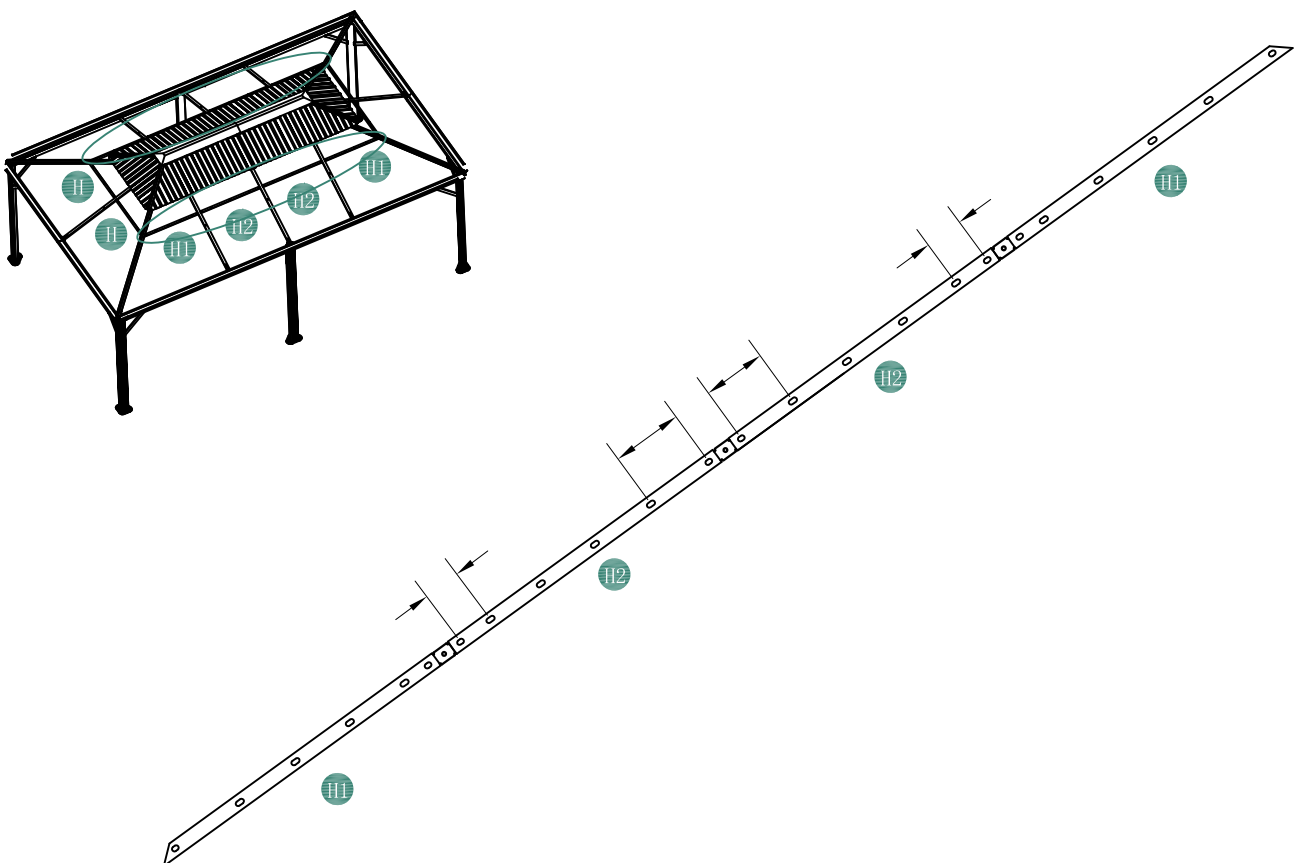


	G5 (X2)
	G6 (X2)
	G7 (X2)
 M1 (X2)	 M2 (X4)
 M5 (X20)	 X (X12)
 X5 (X16)	

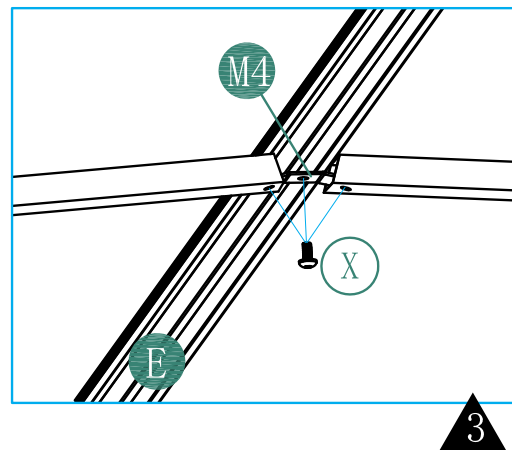
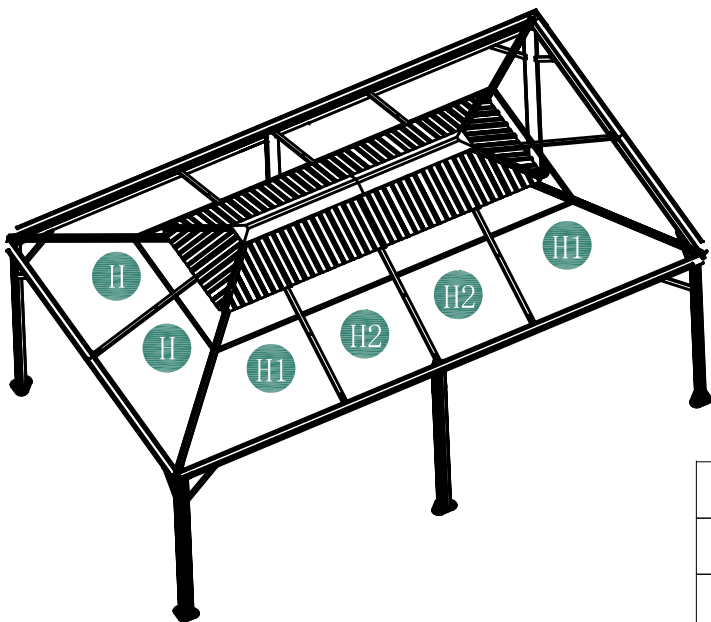
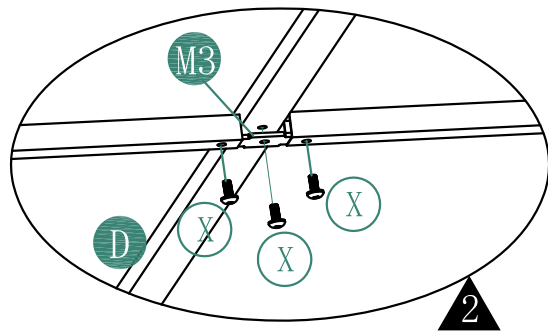
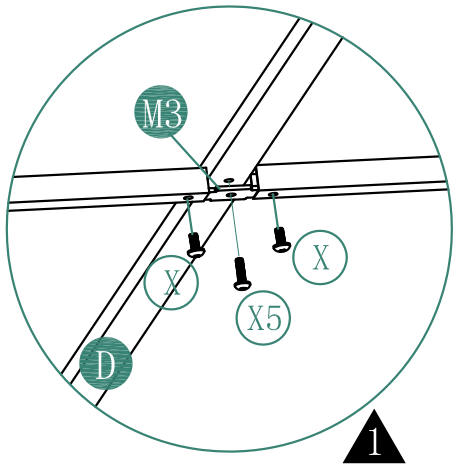
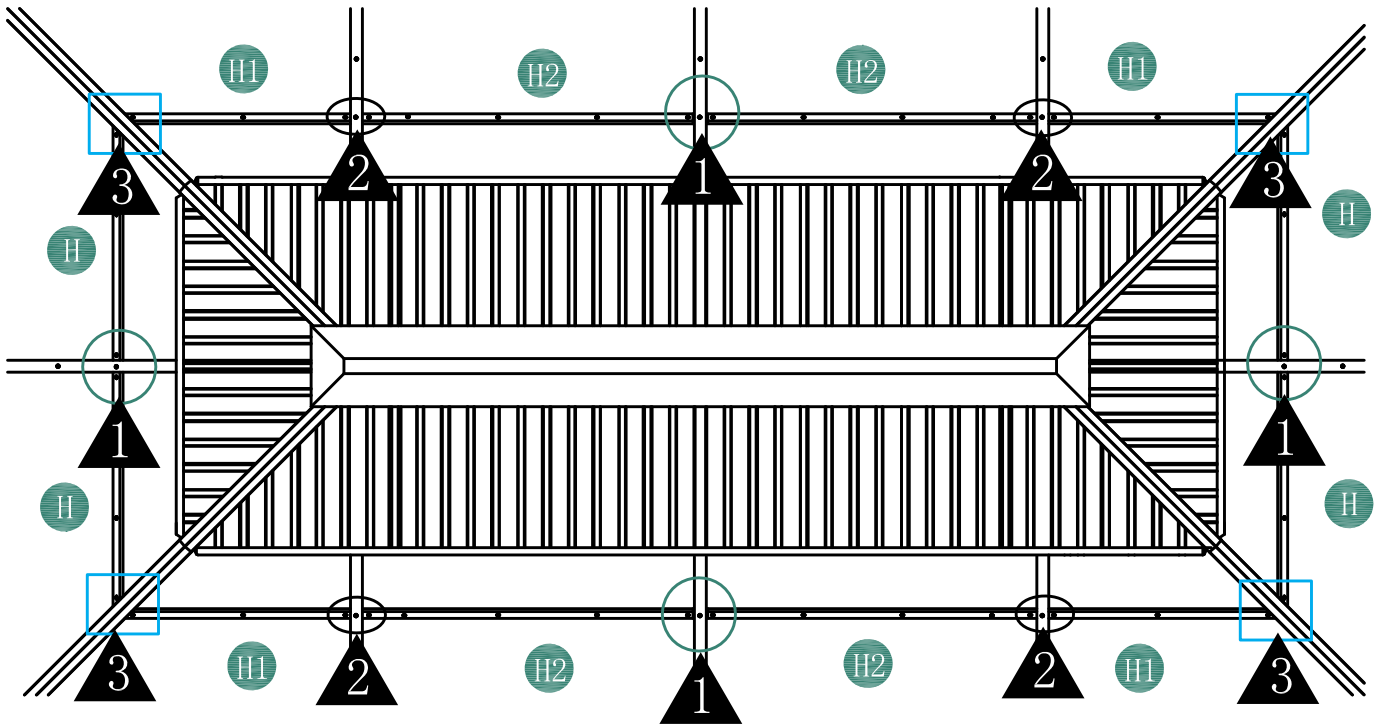
# STEP 14



# STEP 15

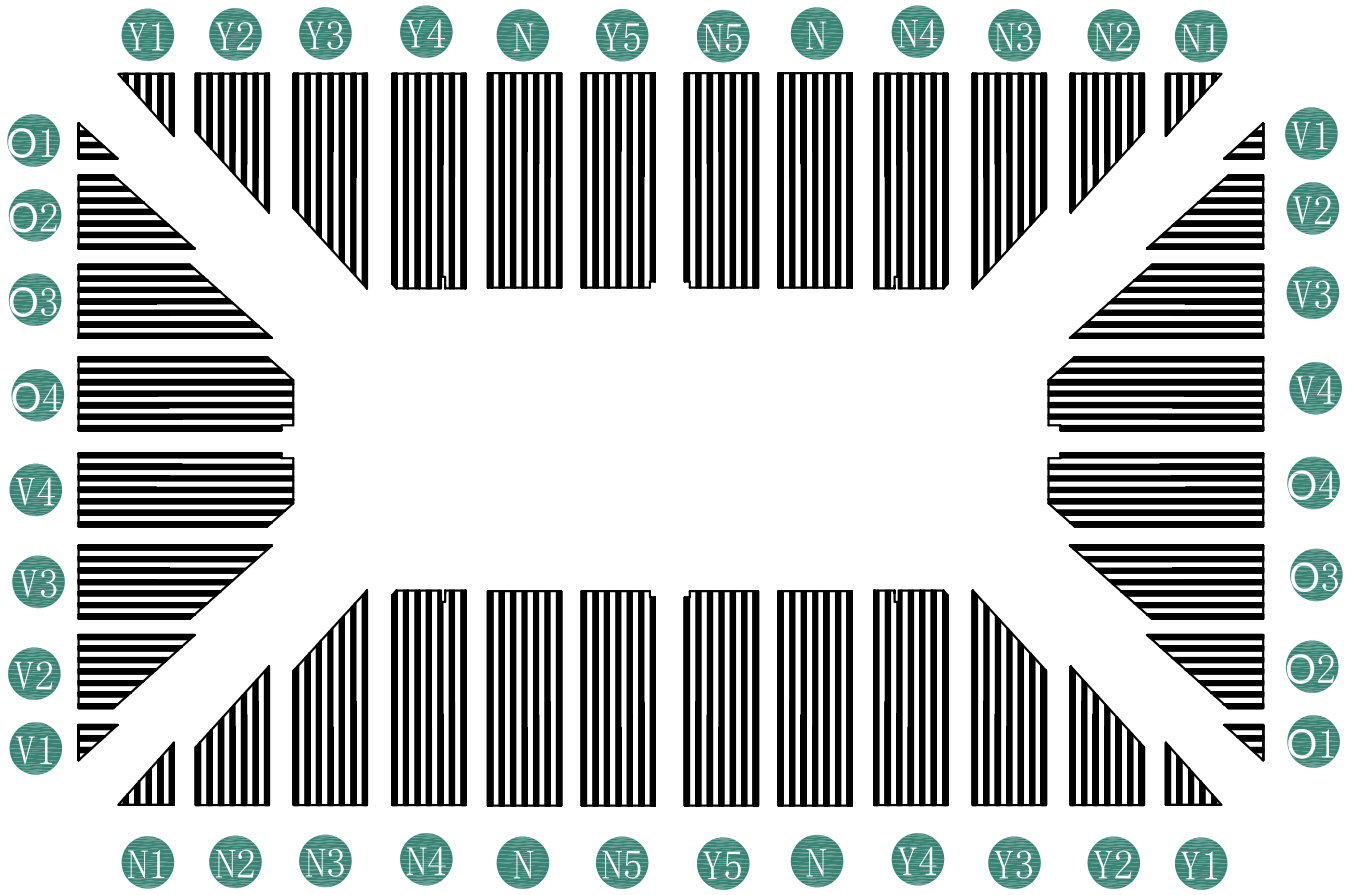


# STEP 16

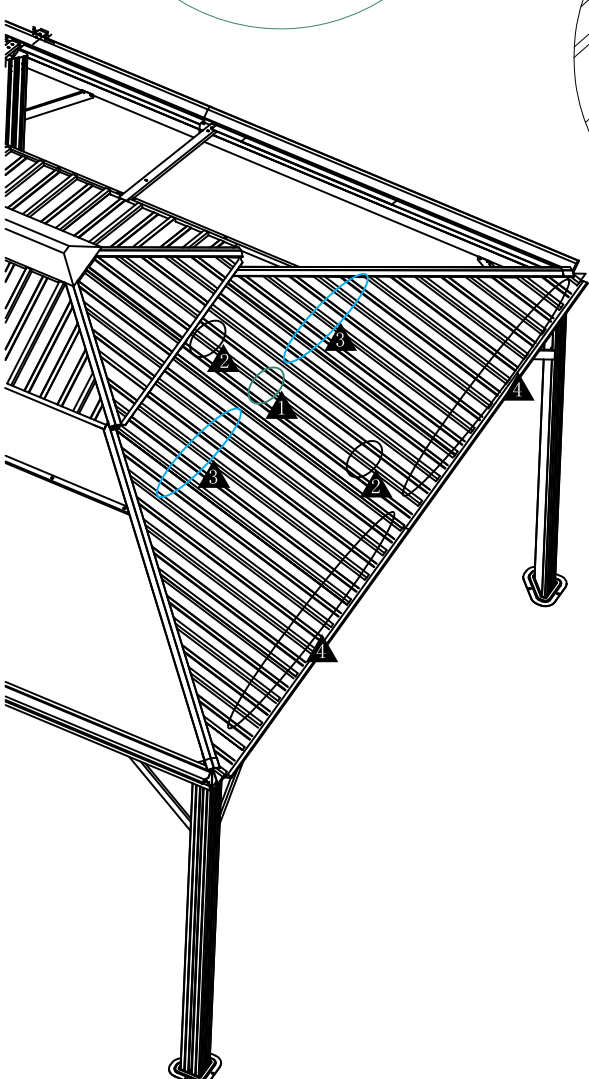
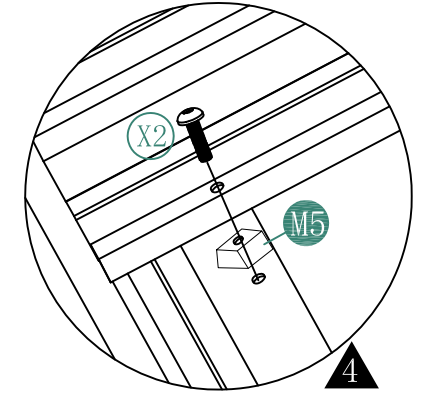
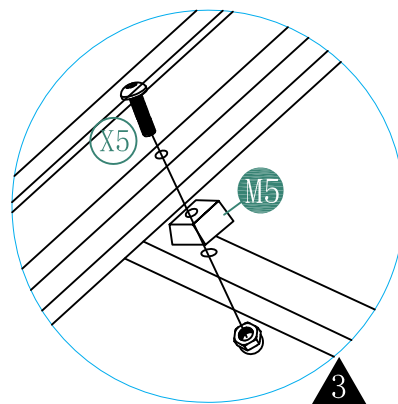
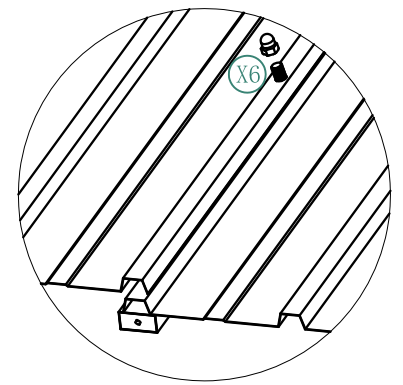
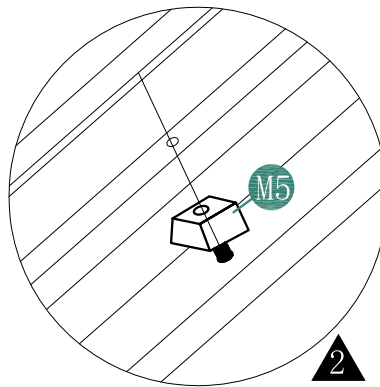
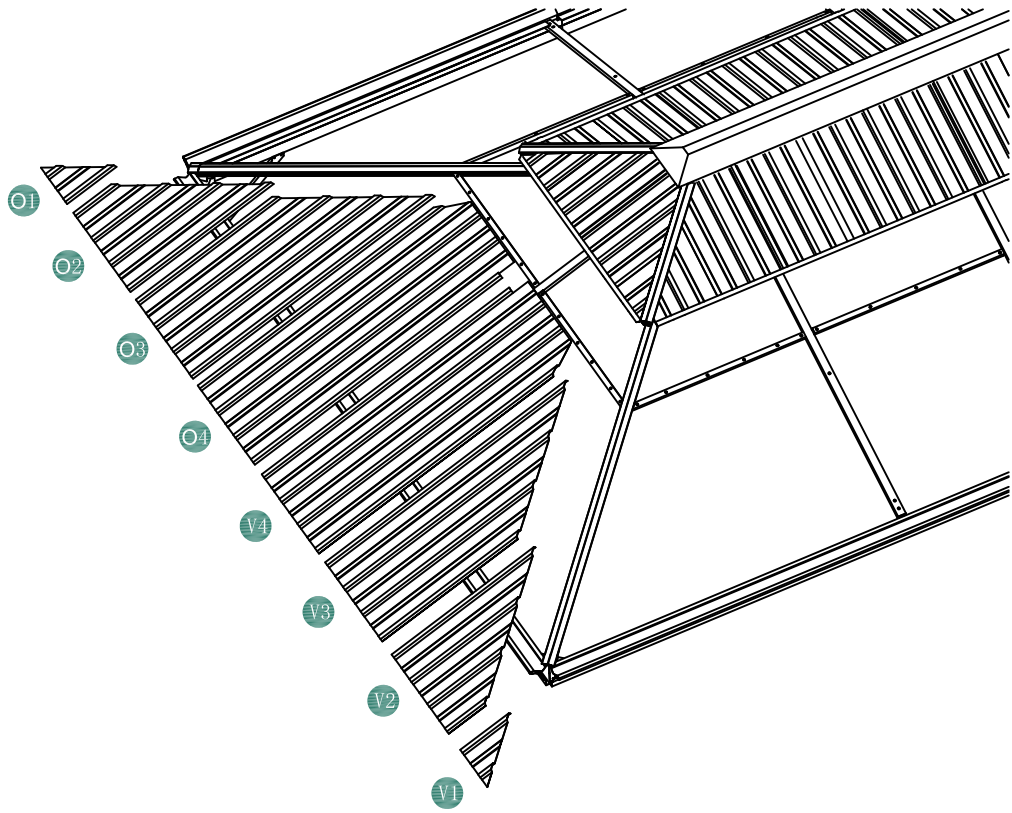
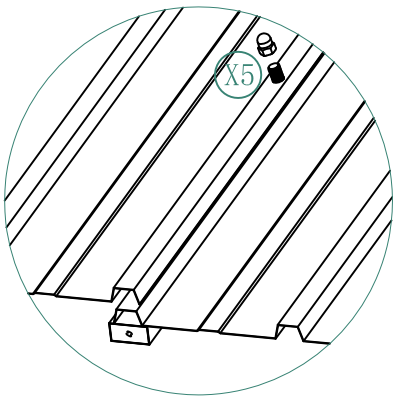
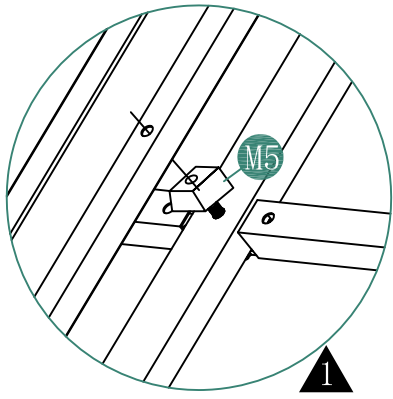


	H (X4)		H1 (X4)
	H2 (X4)		M3 (X8)
	M4 (X4)		X (X32)
			X5 (X4)

# STEP 17

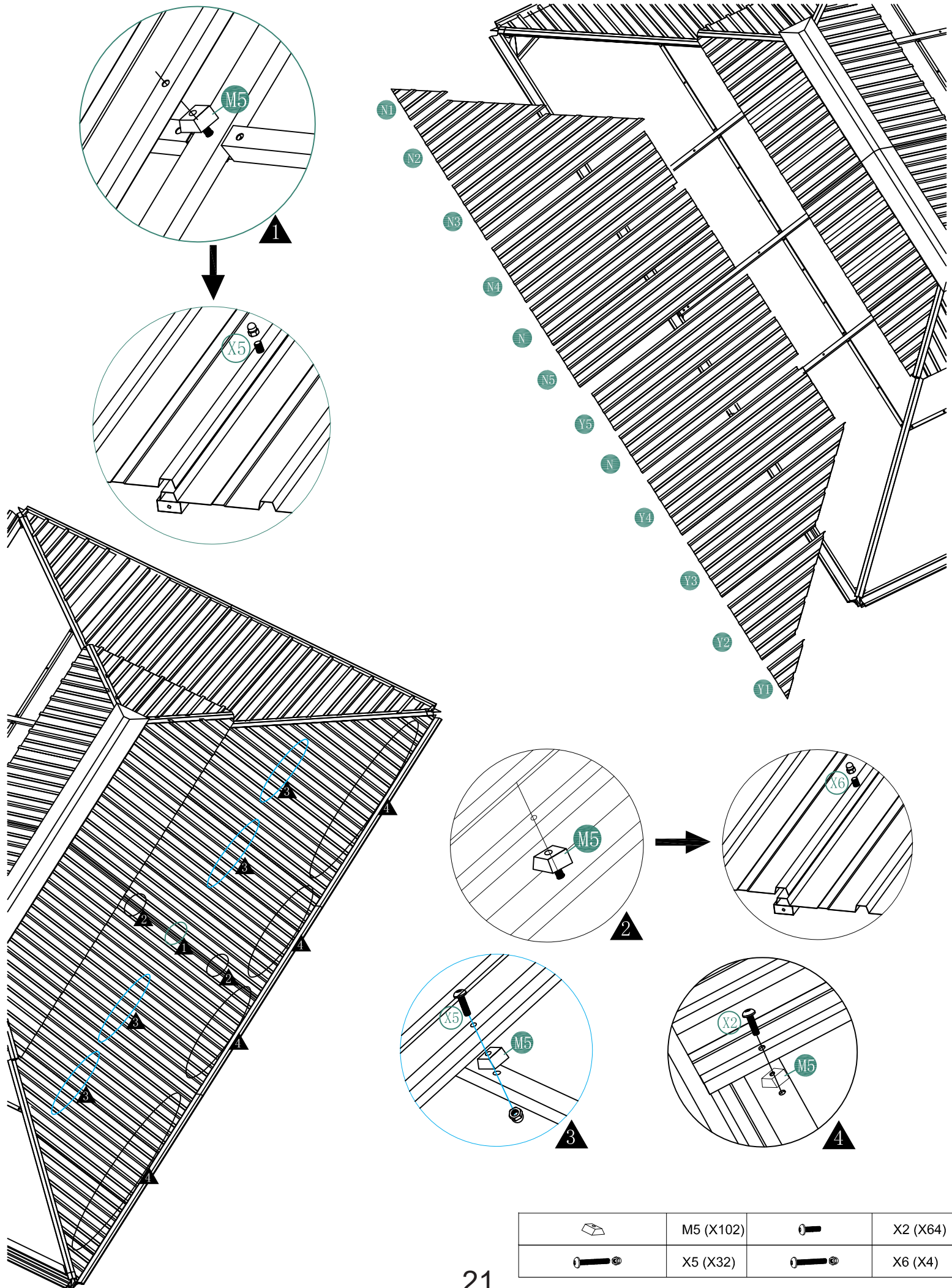




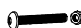
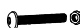
# STEP 18



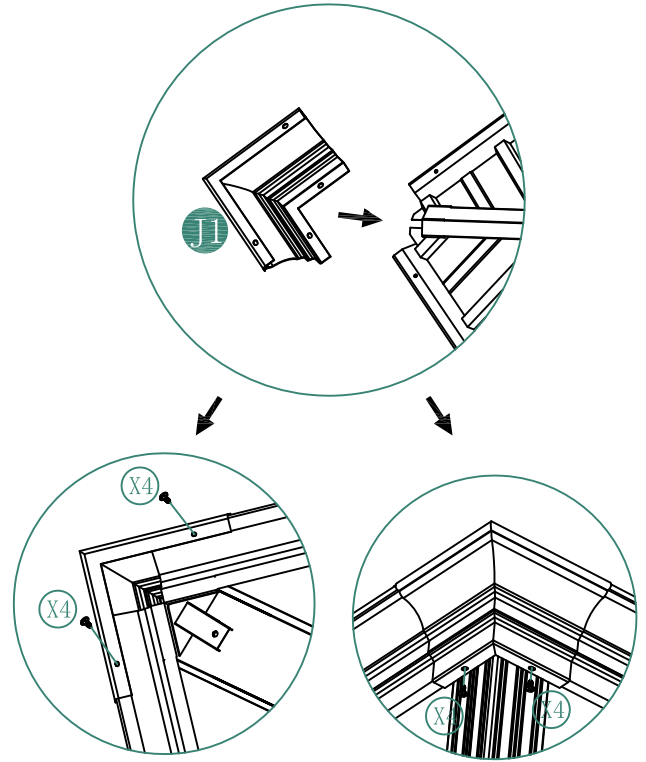
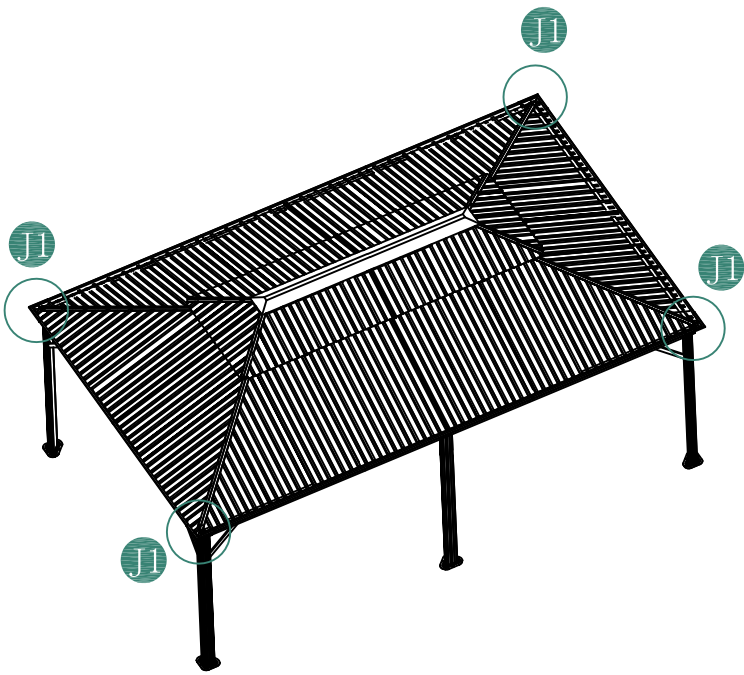
	M5 (X58)		X2 (X36)
	X5 (X16)		X6 (X4)


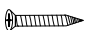
# STEP 19



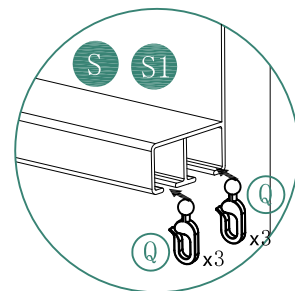
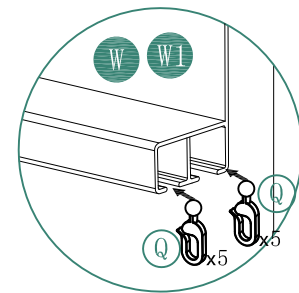
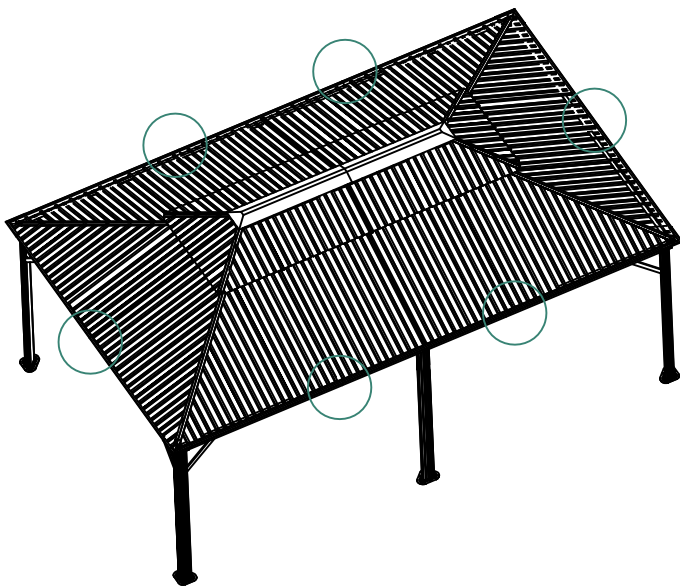
	M5 (X102)		X2 (X64)
	X5 (X32)		X6 (X4)


# STEP 20



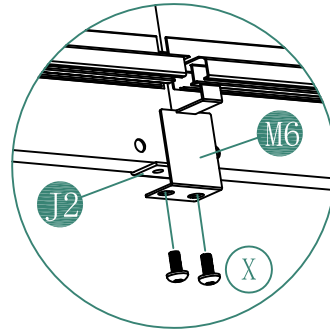
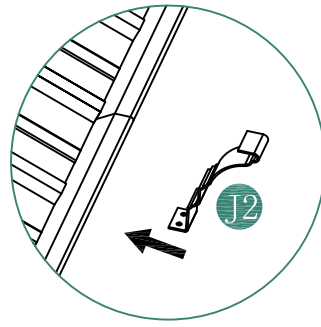
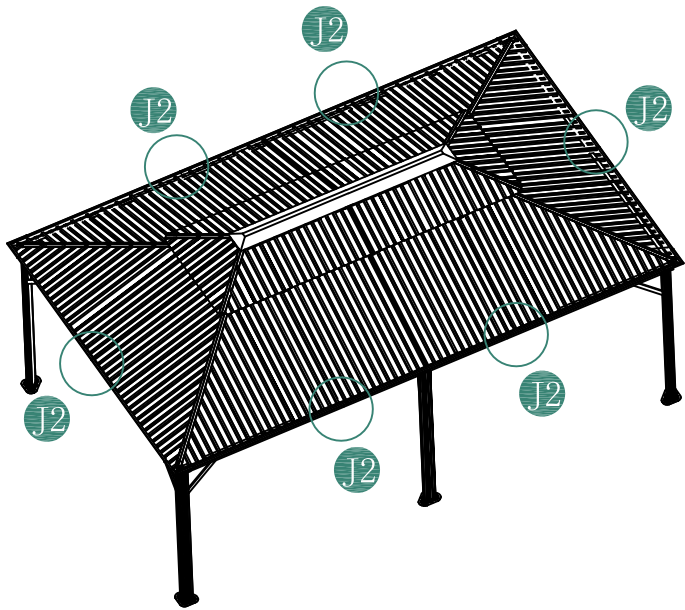
	J1 (X4)		X4 (X16)
---	---------	---	----------

# STEP 21



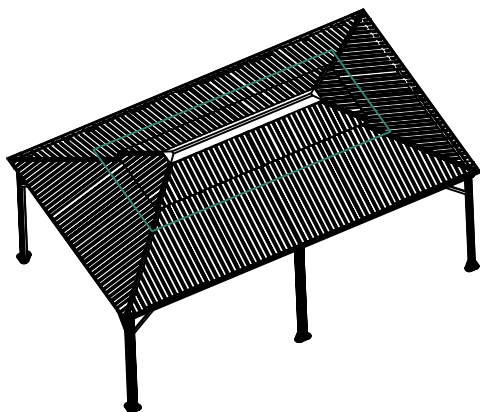
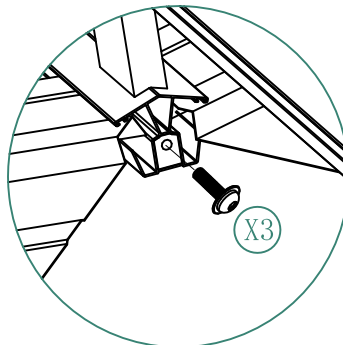
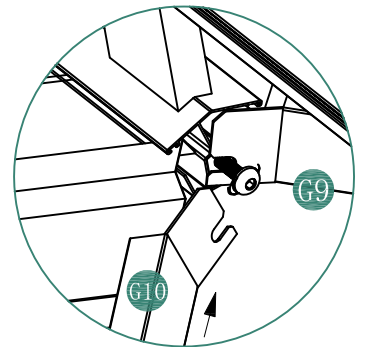
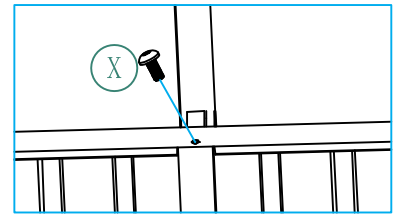
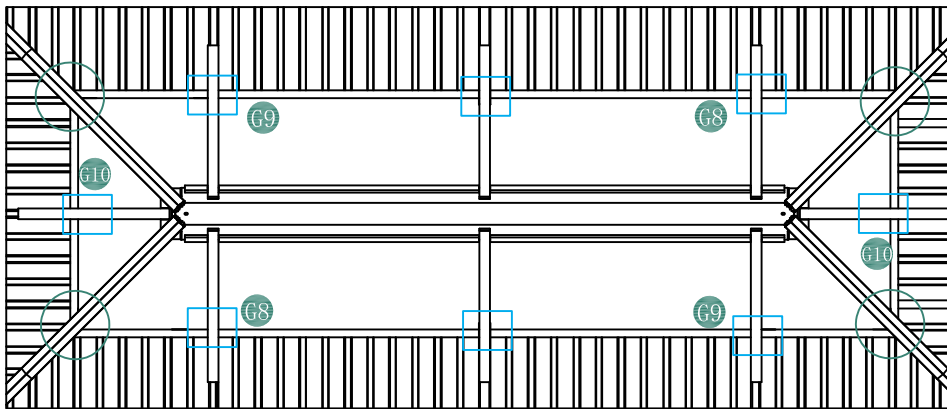
	Q (X104)
---	----------

# STEP 22



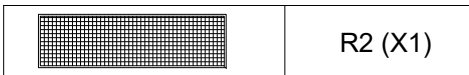
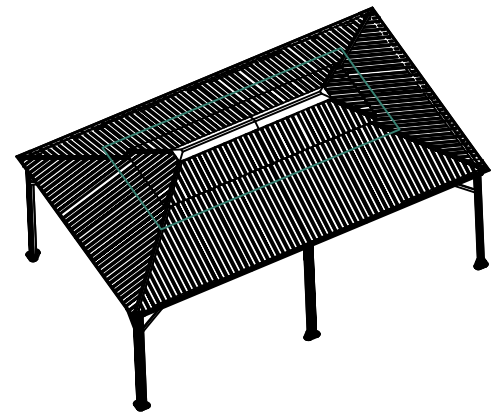
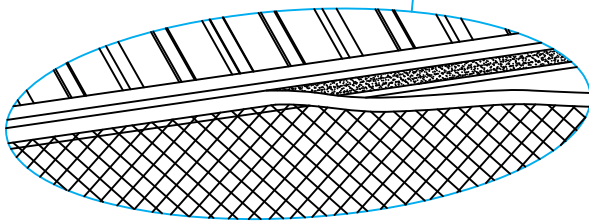
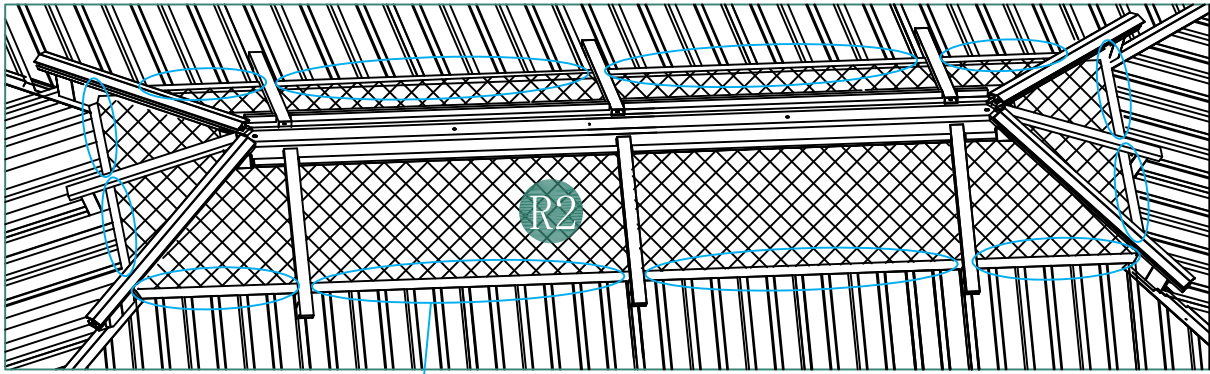
	J2 (X6)
	M6 (X6)
	X (X12)

# STEP 23

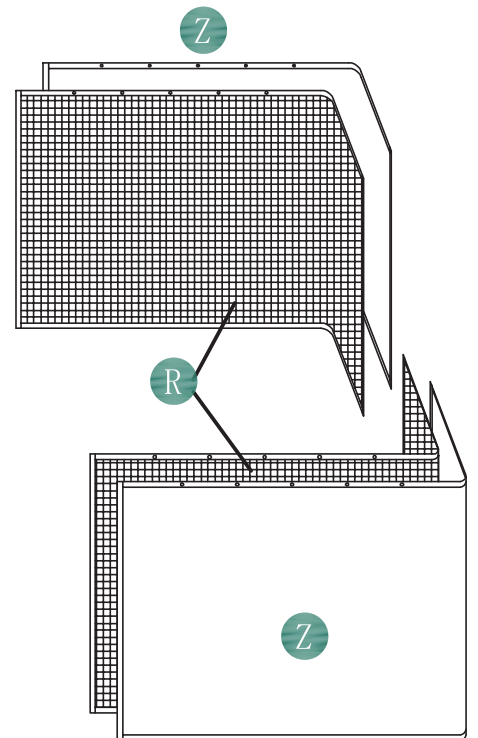
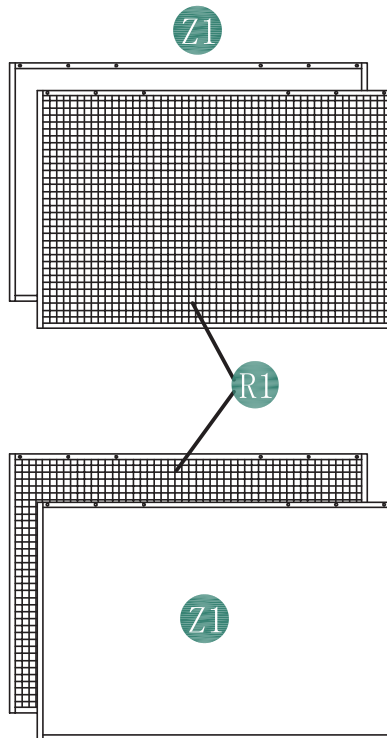
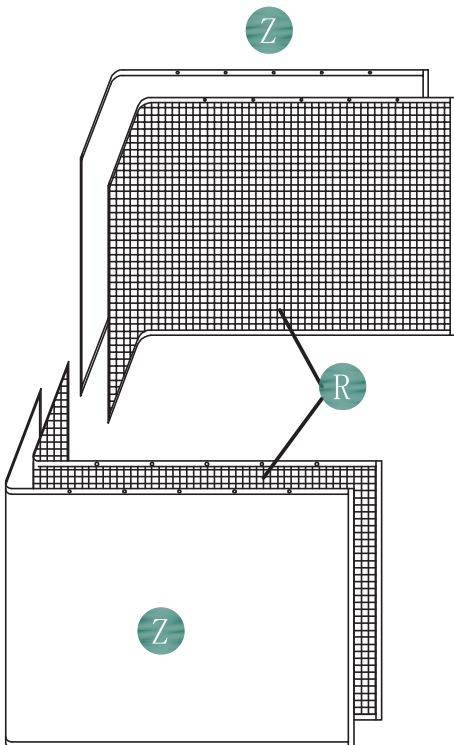


	G8 (X2)		G9 (X2)
	G10 (X2)		X (X8)
			X3 (X4)

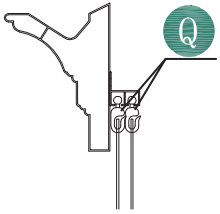
# STEP 24



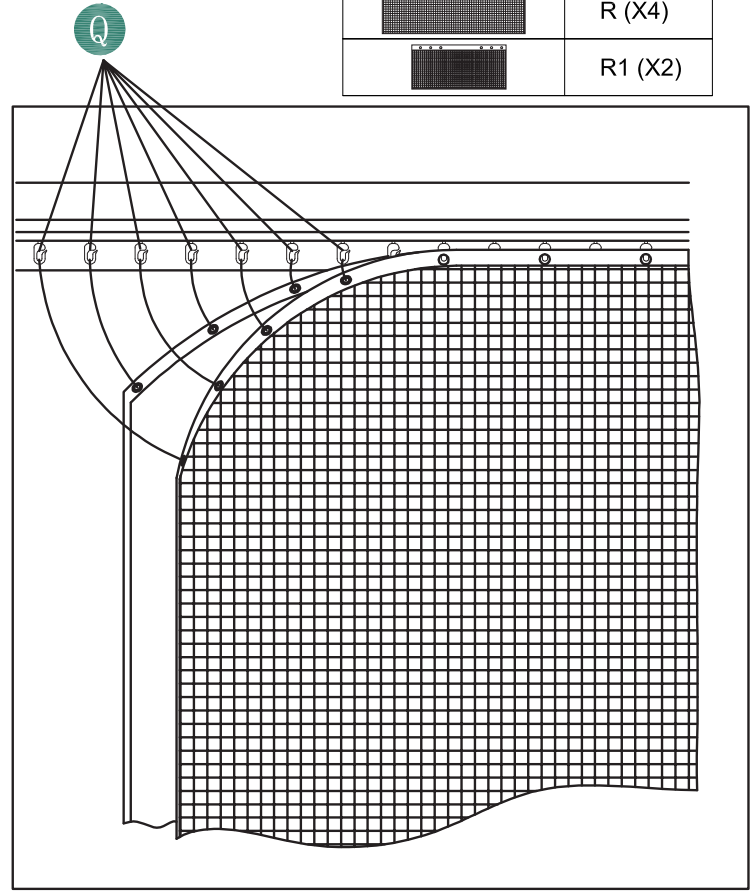
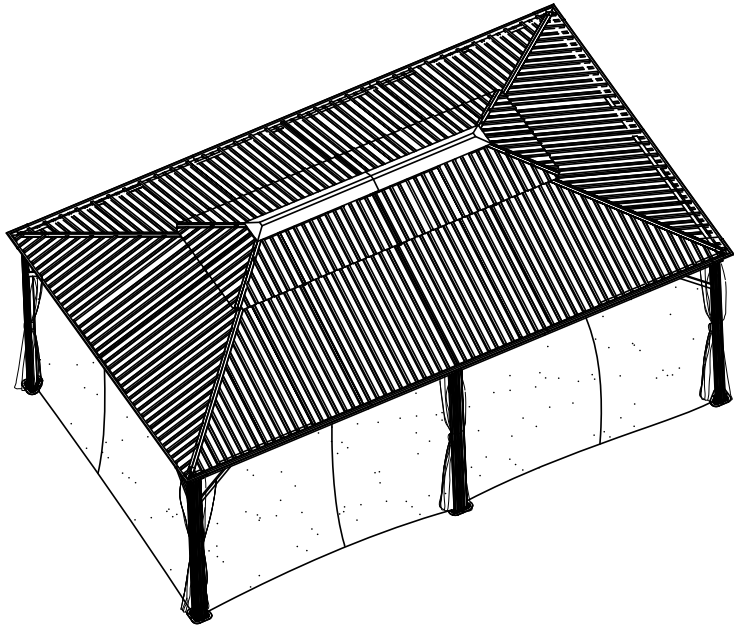
# STEP 25



# STEP 26



	Z (X4)
	Z1 (X2)
	R (X4)
	R1 (X2)



# STEP 27

	(X12)
--	-------

