
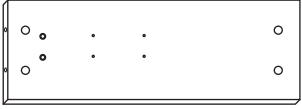


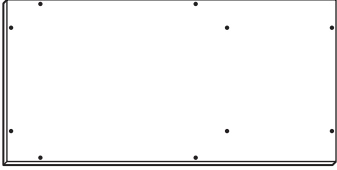
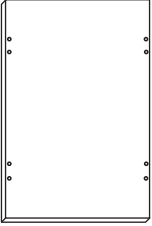
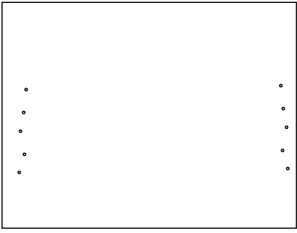
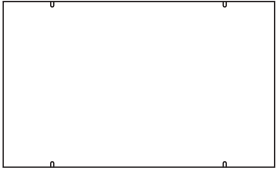
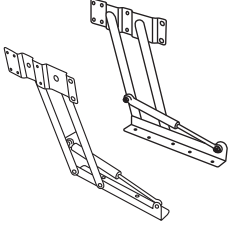
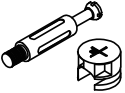
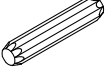
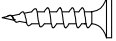




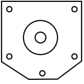

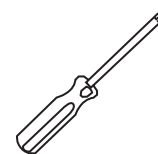


PARTS LIST

A  1pc	B  1pc	C  1pc		
D  2pcs	E  1pc	F  1pc		
G  1pc	H  1pc	I  1pc		
J  12pcs	K  4pcs	L 12mm  40pcs	M M6×12mm  4pcs	N 48mm  10pcs
O  4pcs	P  1pc	Q  4pcs	R  4pcs	

- Ascrewdriver is required before assembly.
- Please read the instruction manual carefully before using it.
- Please assemble strictly in accordance with the instruction.
- This product will be more convenient for two people to install together.
- Please double check to the ensure that all parts of the package contents intact
If you any parts are missing, broken, damaged or worn, stop using this products until repairs are made and factory replacement parts are installed.

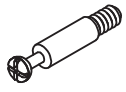


Two person installation

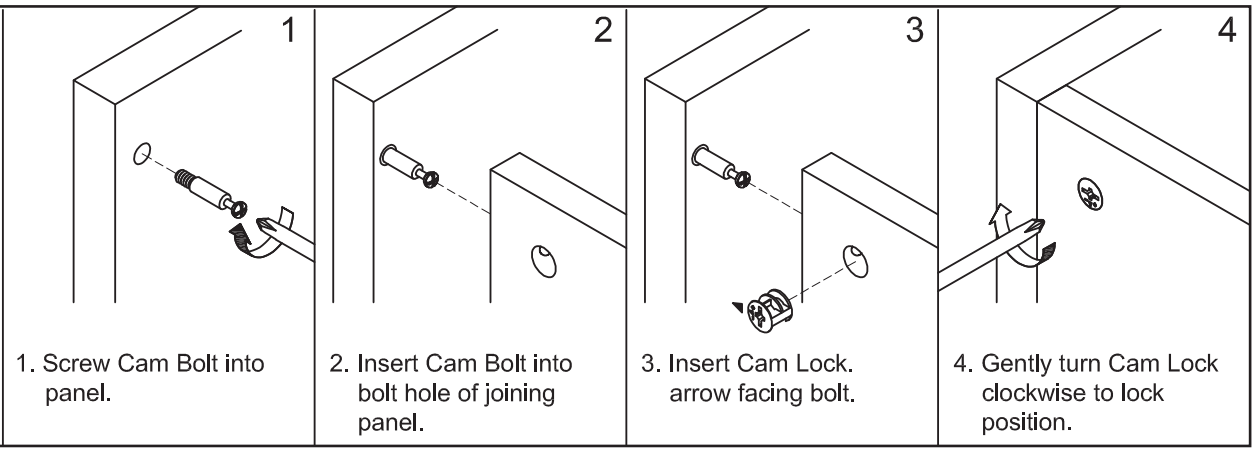
HOW TO



Cam lock

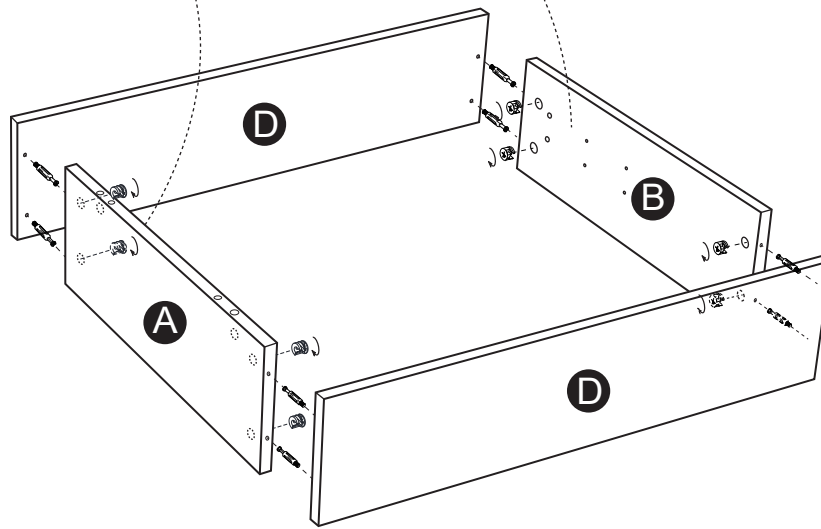


Cam bolt



1

The holes for assembling the live rack correspond to each other.

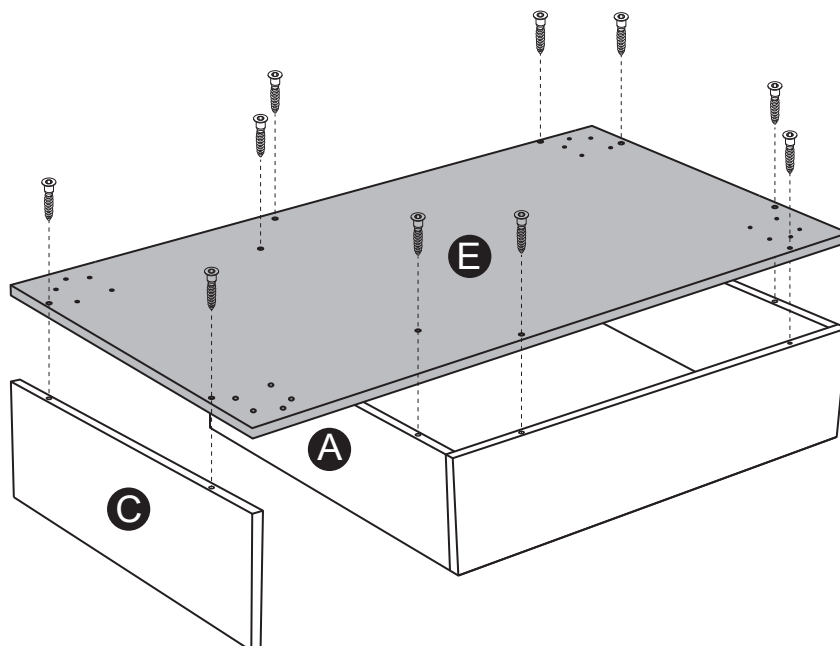


J



8pcs

2



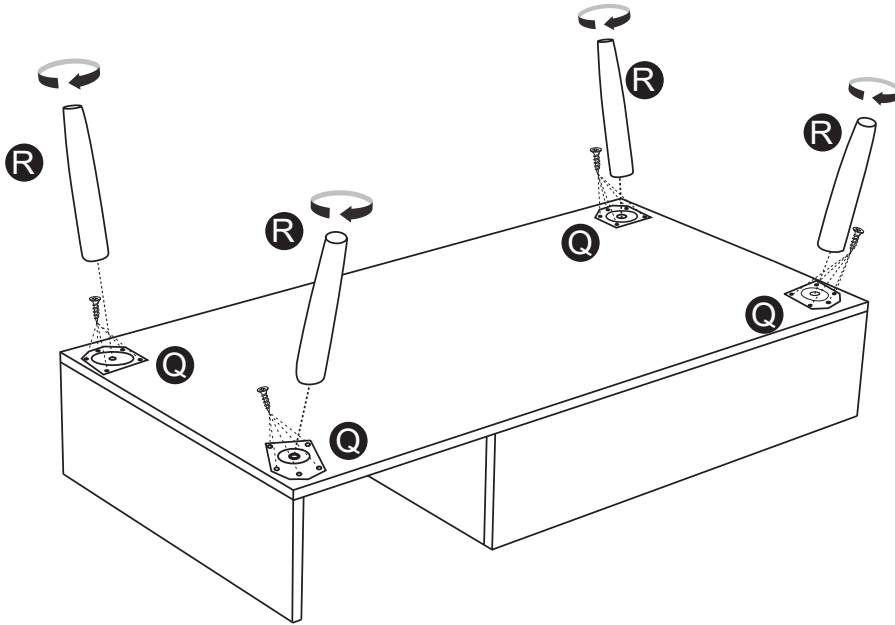
N

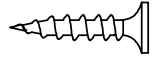


48mm

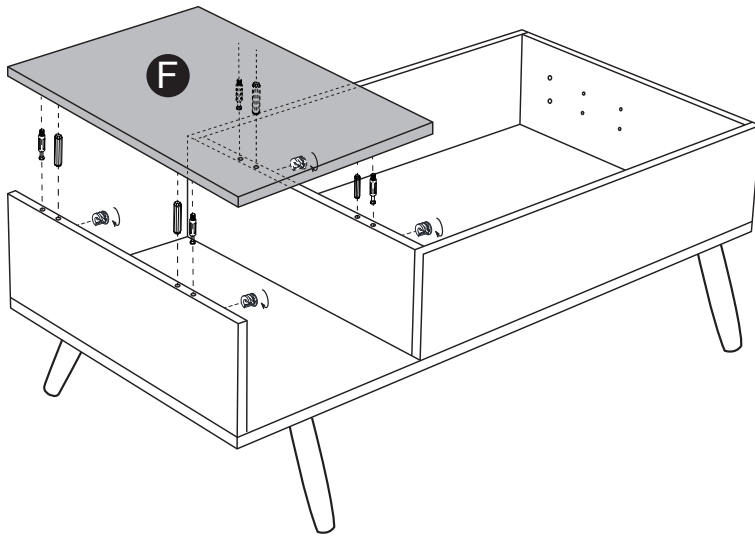
10pcs


3

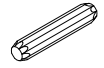


L 12mm

 20pcs

4

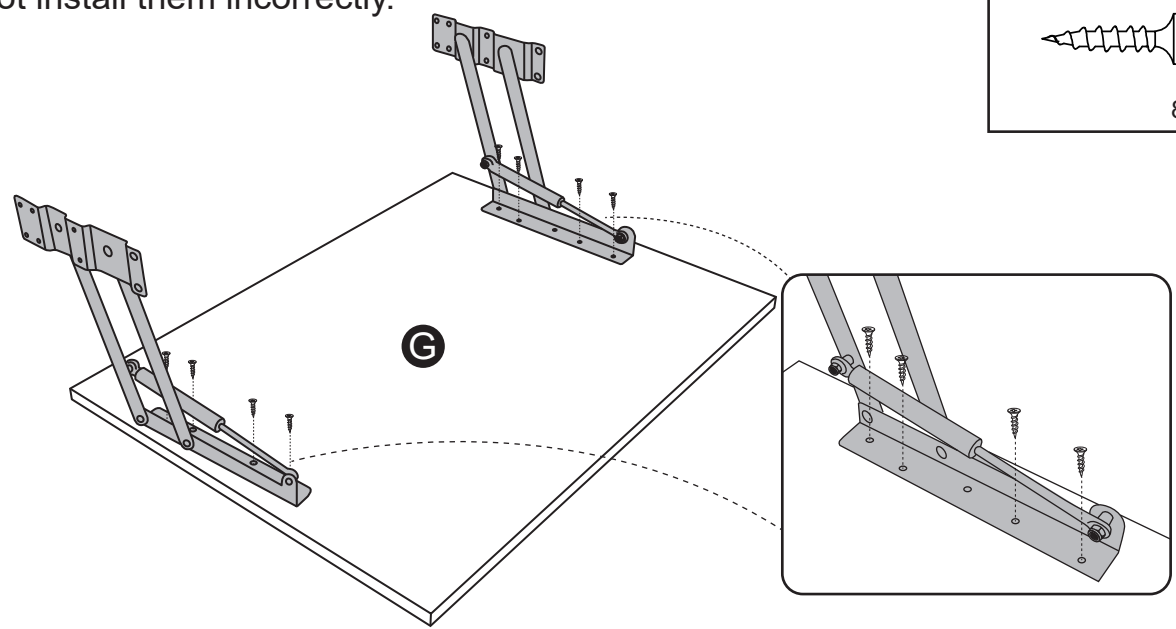


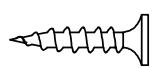
J

 4pcs

K

 4pcs

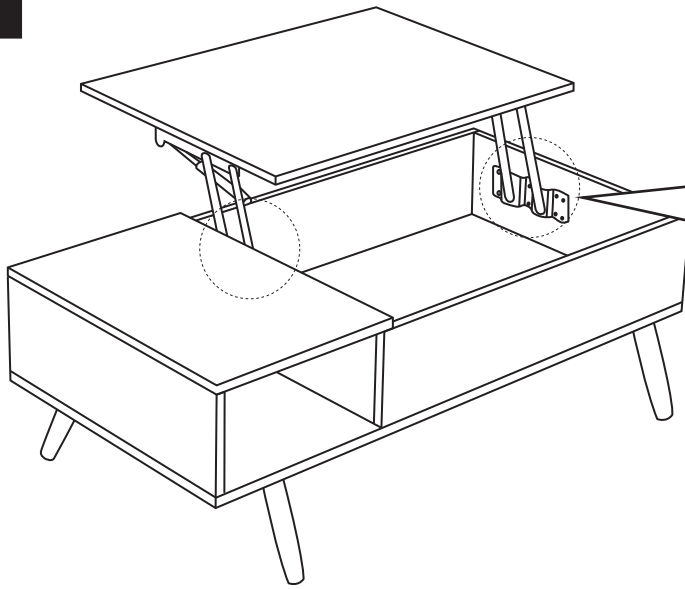
5

Observe the installation directions of the two movable racks.
 Do not install them incorrectly.

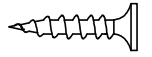


L 12mm

 8pcs

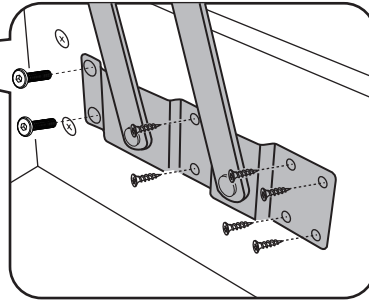
6



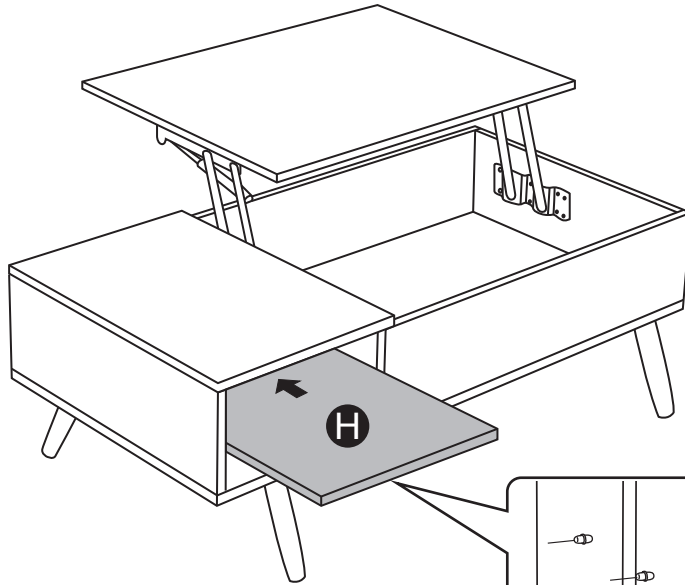
L 12mm
12pcs



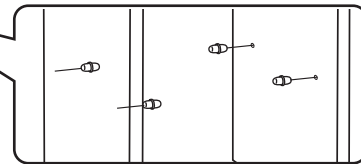
M M6×12mm
4pcs



7



O 4pcs



8

