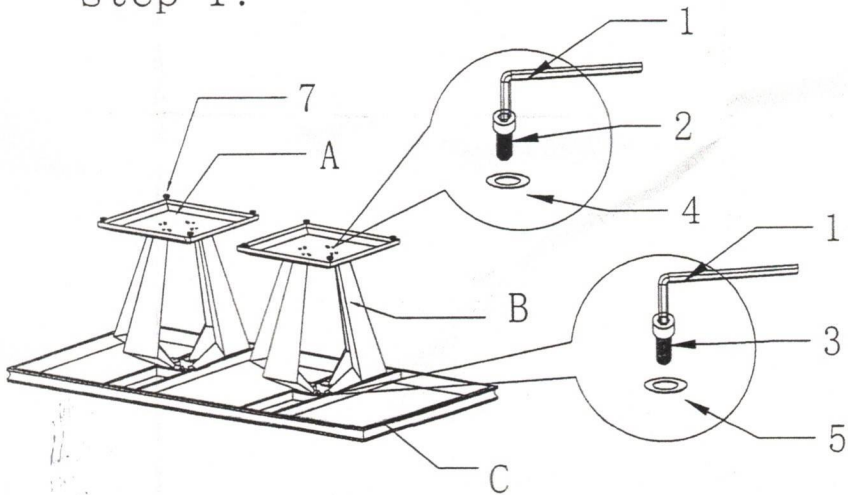


# ASSEMBLY INSTRUCTION

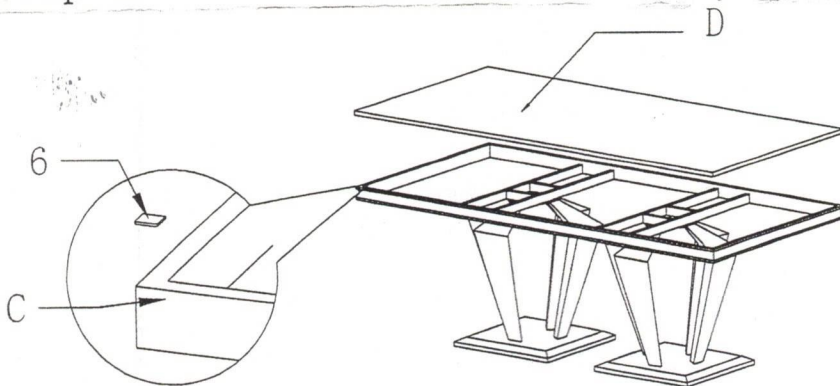
Model: Dining table

Thank you for purchasing this quality product, be sure to check all the packing materials carefully. When you received, please pay attention to the products, which may cause deformed during the shipment.

step 1:



step 2:



Stick the mat (6) on 4 corners of the Table Top frame (C)

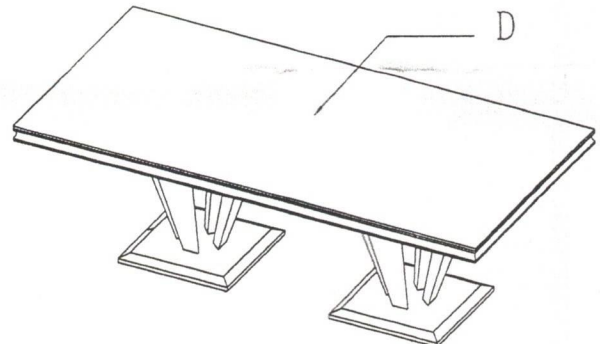
## PART LIST

NO.	Designation	Quantity	Diagram
A	Stainless steel base	2	
B	Stainless steel pillar	8	
C	Table top frame	1	
D	Table top	1	

## HARDWARE LIST

NO.	Designation	Quantity	Size	Diagram
E	Allen key	1	M6	
2	Screw	24	M8*20	
3	Screw	16	M8*16	
4	Washer	24	Dia20mm	
5	Washer	16	Dia17mm	
6	Mat	6	19*19*2	
7	Adjust leg	8	Dia20	

step 3:



Assemble the Table top (D) on the frame by aligning all the corners gently