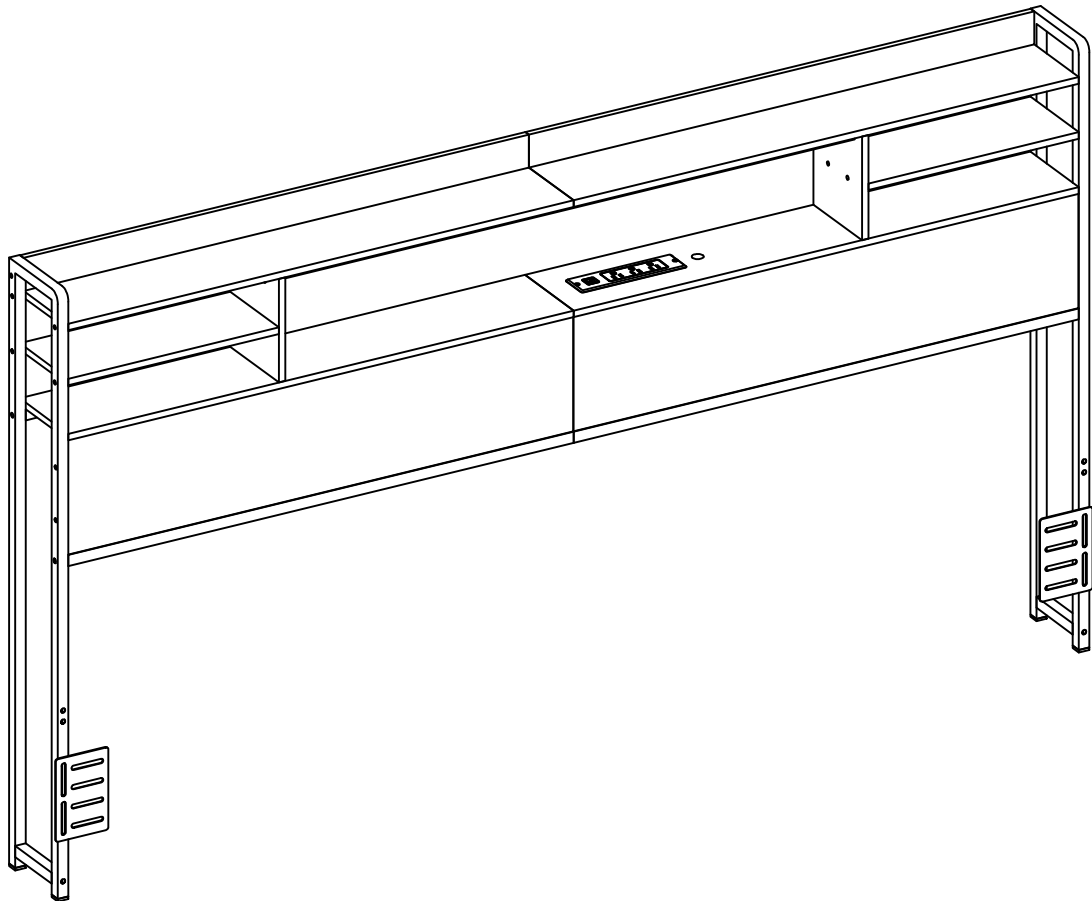

HEADBOARD

ASSEMBLY INSTRUCTION



(Note:Two people are recommended to install, which will greatly improve your installation efficiency.)

Thank you for purchasing our products.

As a reliable seller, we have been pursuing to provide customers with 100% satisfied products and services, so we hope that you will enjoy this shopping experience.

If you find any damage, missing parts, or dissatisfaction after receiving the product, please feel free to contact us the first time, We will provide you with a 100% satisfactory solution.

Thanks again for your order. And please feel free to contact us from our store or send email for us in case of any problem regarding assembling or the product itself. We will do everything we can to resolve it.

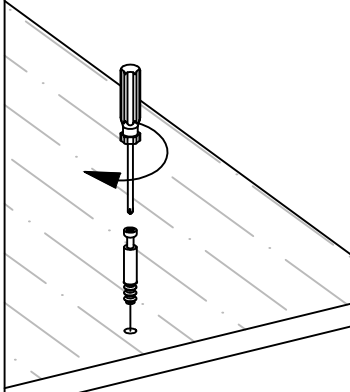
TIPS:

1. Please read this instruction manual carefully, follow it step by step and pay attention to the notes, you will assemble it quickly, safely and correctly.
2. Two people are recommended to install, which will greatly improve your installation efficiency.
3. Put the screws in loosely until all pieces are together and then tighten them all. It will save your time if you make a mistake while installing

Using Camlocks

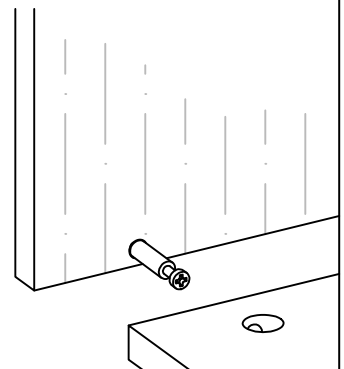
Connect the male camlock as directed in the assembly instructions using a screwdriver.

1 DO NOT OVER TIGHTEN



Push the male camlock into the entry hole.

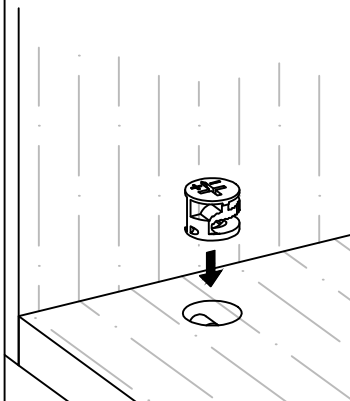
2



Insert the female camlock as shown in the instruction.

Note: ensure that the arrow on the top of the camlock points toward the entry hole for the male camlock.

3

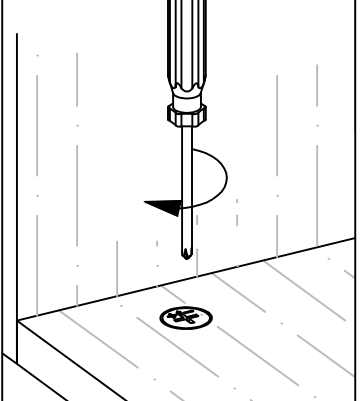


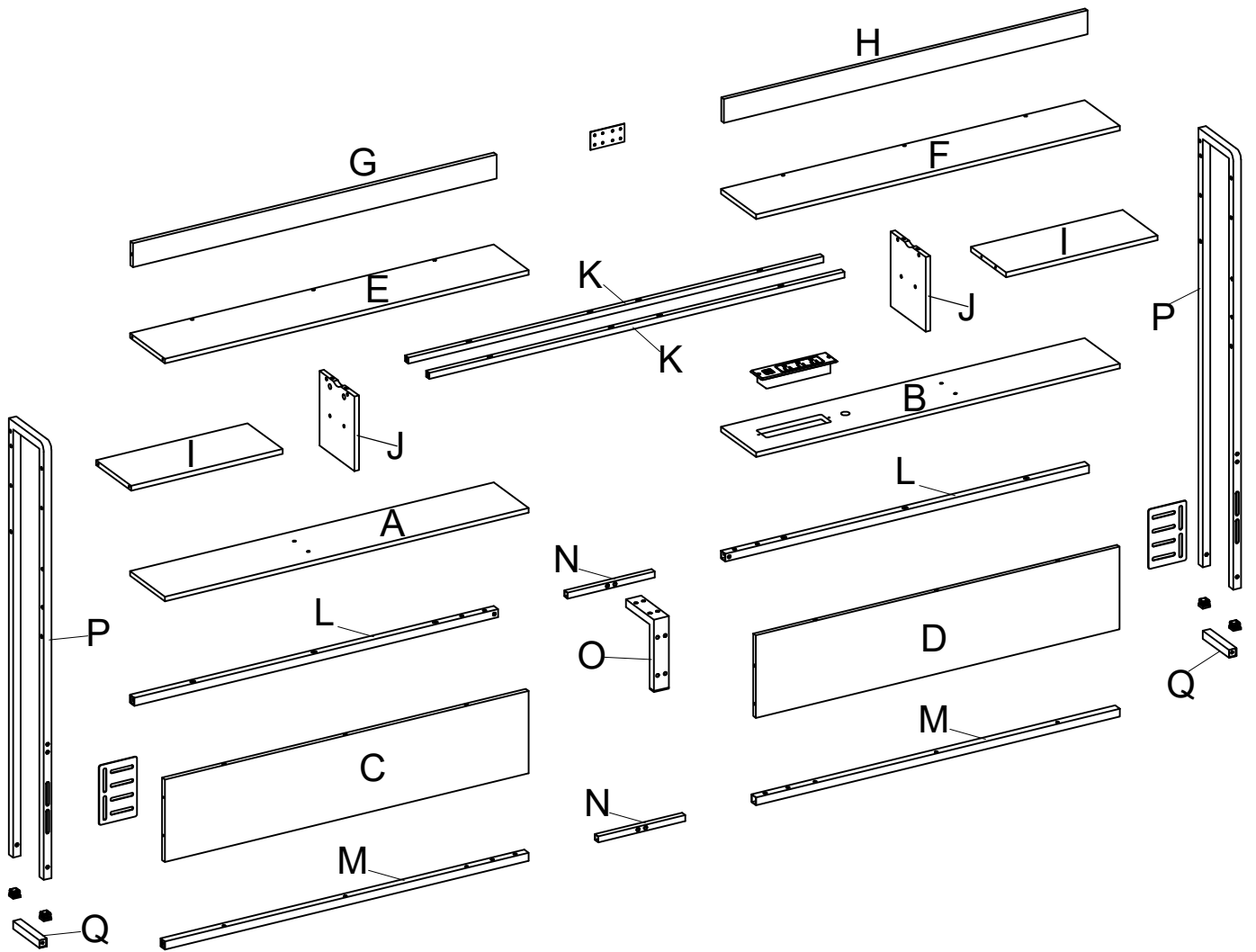
Turn the female camlock clockwise with a screwdriver.

You should feel a click when the camlock is locked in place.

The joint is now secure.

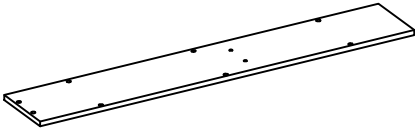
4



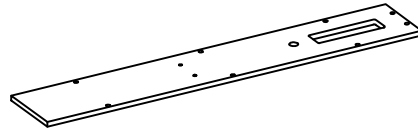


PART LIST

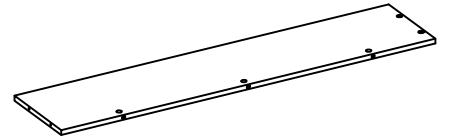
A x 1pc



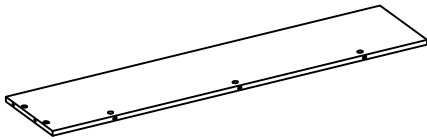
B x 1pc



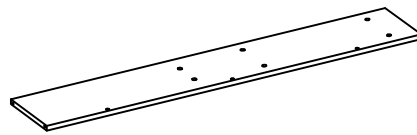
C x 1pc



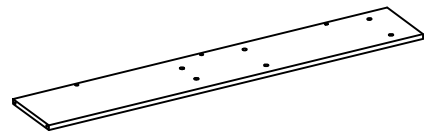
D x 1pc



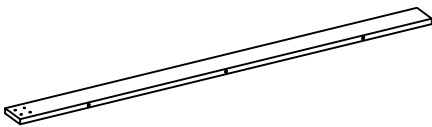
E x 1pc



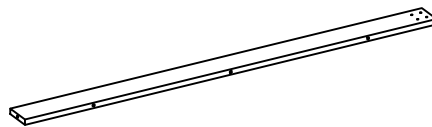
F x 1pc



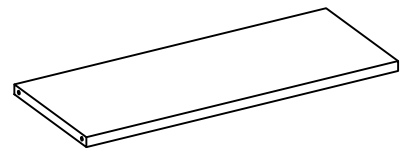
G x 1pc



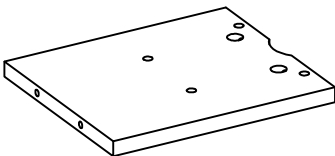
H x 1pc



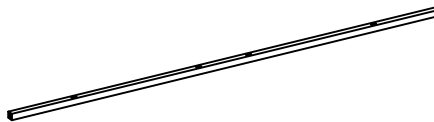
I x 2pcs



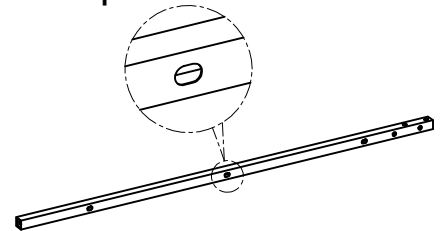
J x 2pcs



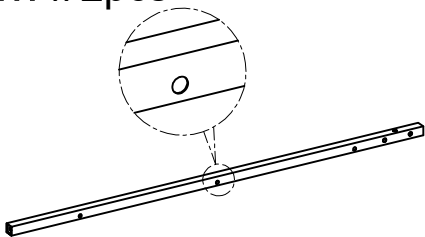
K x 2pcs



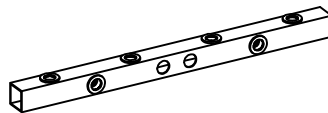
L x 2pcs



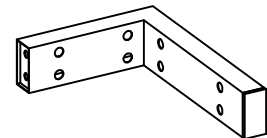
M x 2pcs



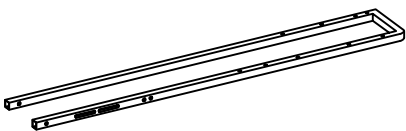
N x 2pcs



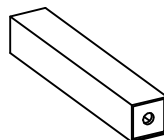
O x 1pc



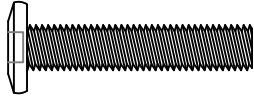
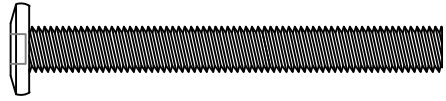
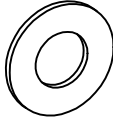
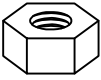
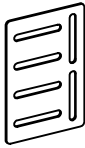



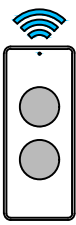
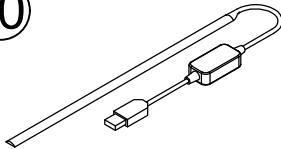


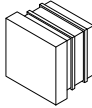
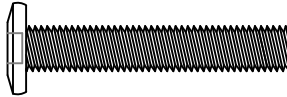
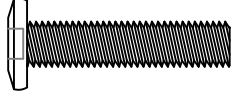
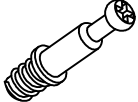

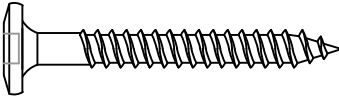
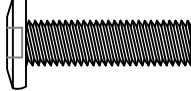


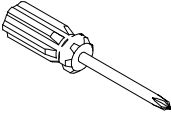
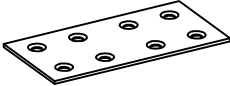
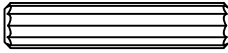
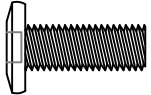
P x 2pcs



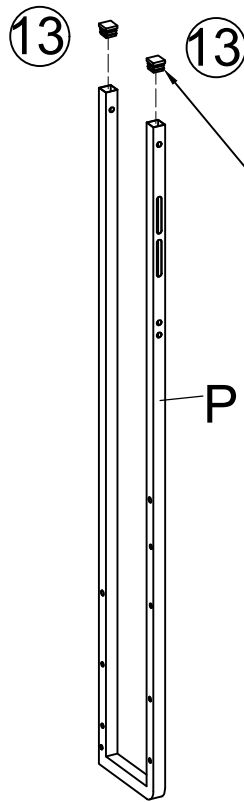
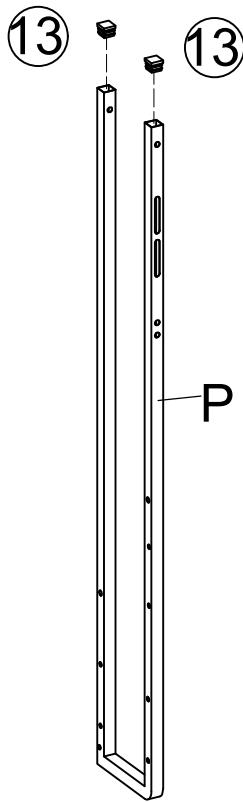
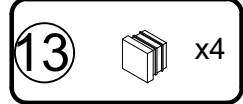
Q x 2pcs



HARDWARE LIST

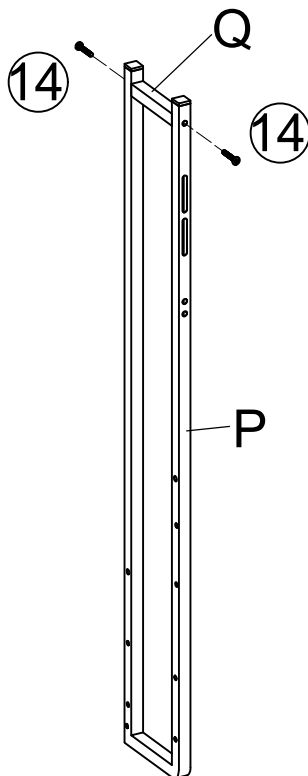
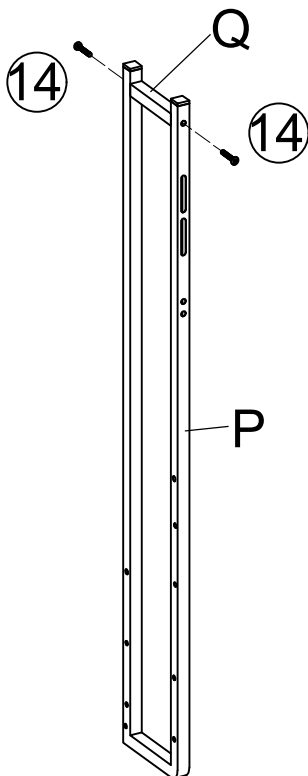
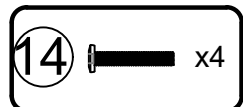
<p>①</p>  <p>M6x30 4 pcs</p>	<p>②</p>  <p>M6x55 4 pcs</p>	<p>③</p>  <p>M6x16x1.0 16 pcs</p>	
<p>④</p>  <p>M6 8 pcs</p>	<p>⑤</p>  <p>2 pcs</p>	<p>⑥</p>  <p>10mm 1 pc</p>	<p>⑦</p>  <p>M3x12 27 pcs</p>
<p>⑧</p>  <p>1 pc</p>	<p>⑨</p>  <p>RF Remote Control 1 pc</p>	<p>⑩</p>  <p>King: 180cm Queen: 130cm 1 pc</p>	<p>⑪</p>  <p>3 pcs</p>
<p>⑫</p>  <p>11 pcs</p>	<p>⑬</p>  <p>20x20 4 pcs</p>	<p>⑭</p>  <p>M6x35 10 pcs</p>	<p>⑮</p>  <p>M6x27 18 pcs</p>
<p>⑯</p>  <p>M6x28 10 pcs</p>	<p>⑰</p>  <p>Ø12 10 pcs</p>	<p>⑱</p>  <p>M5x45 22 pcs</p>	<p>⑲</p>  <p>M6x22 8 pcs</p>
<p>⑳</p>  <p>M6x40 12 pcs</p>	<p>㉑</p>  <p>M4 1 pc</p>	<p>㉒</p>  <p>1 pc</p>	<p>㉓</p>  <p>1 pc</p>
<p>㉔</p>  <p>M6x30 2 pcs</p>	<p>㉕</p>  <p>M6x16 12 pcs</p>		

STEP 1

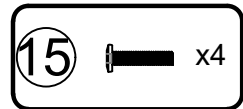


Please use a hammer or solid tools (not included) to knock the footpads into the frame.

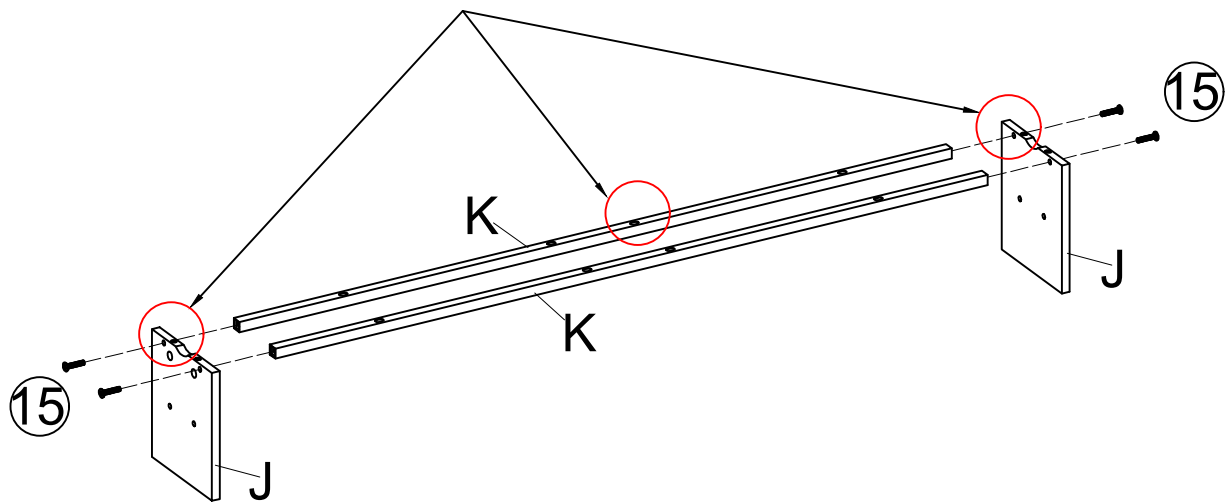
STEP 2



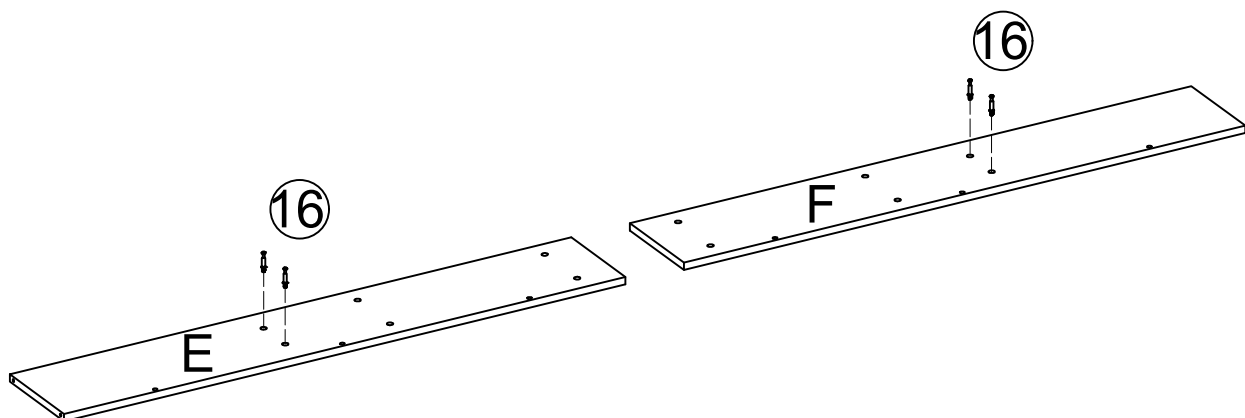
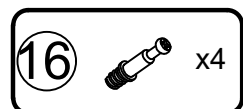
STEP 3





Keep the holes of the Part J and Part K toward this direction as shown



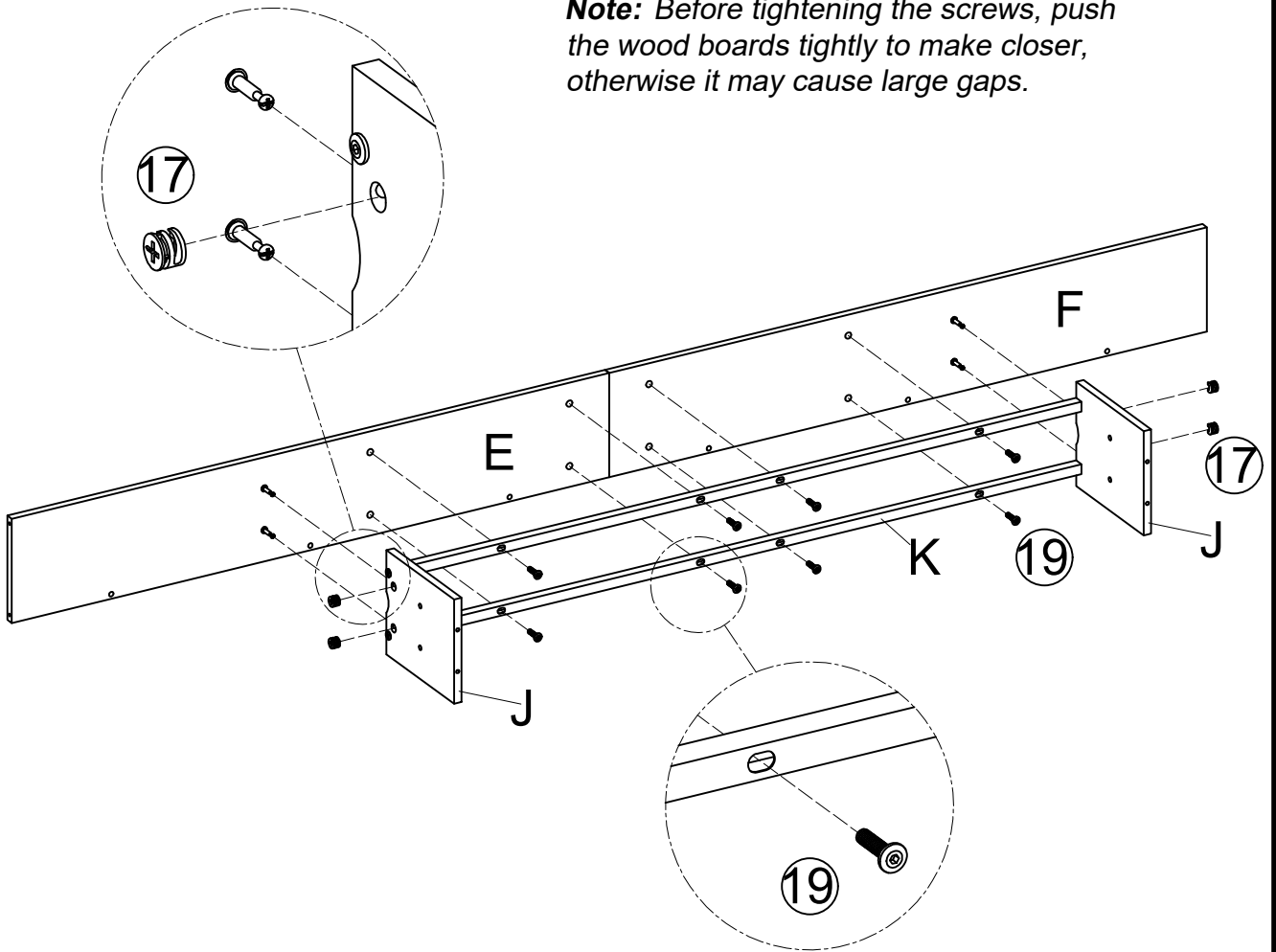
STEP 4



STEP 5

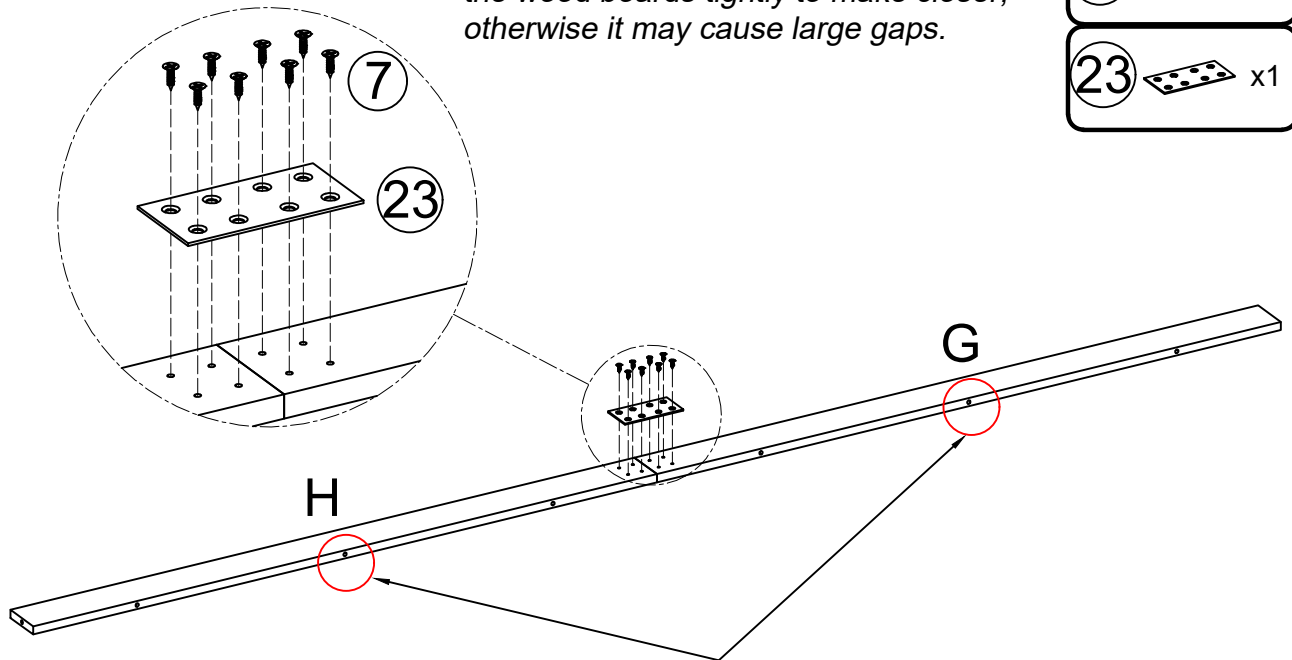
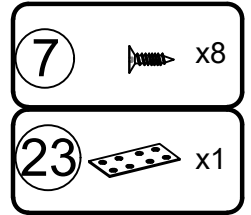
- 17  x4
- 19  x8

Note: Before tightening the screws, push the wood boards tightly to make closer, otherwise it may cause large gaps.



STEP 6

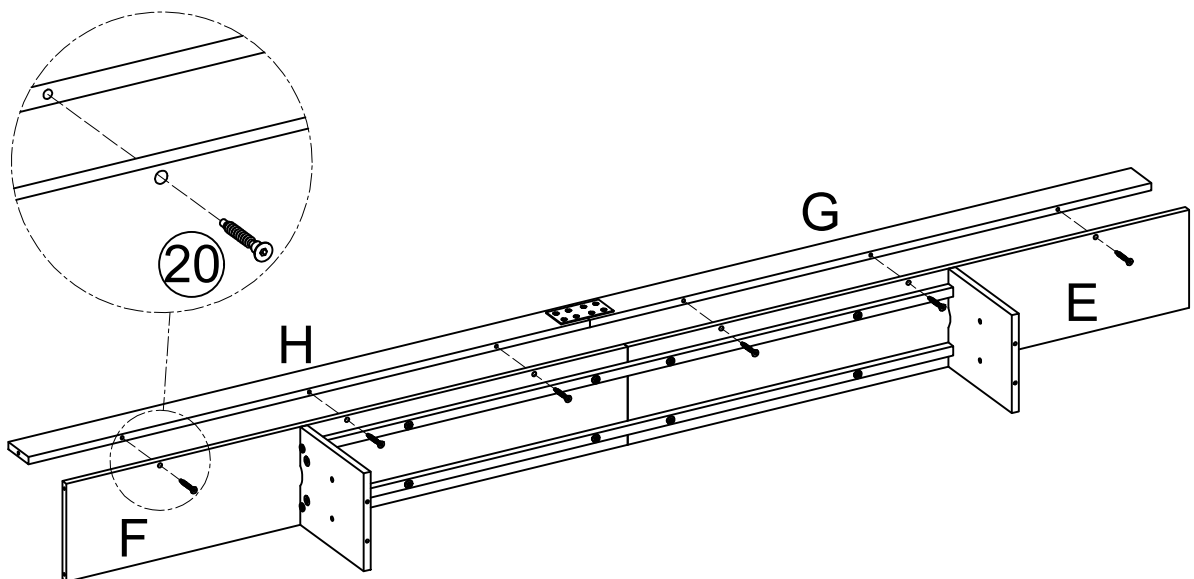
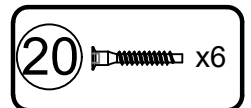
Note: Before tightening the screws, push the wood boards tightly to make closer, otherwise it may cause large gaps.



Keep the holes of the Part G and Part H toward this direction as shown

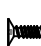
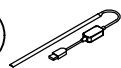




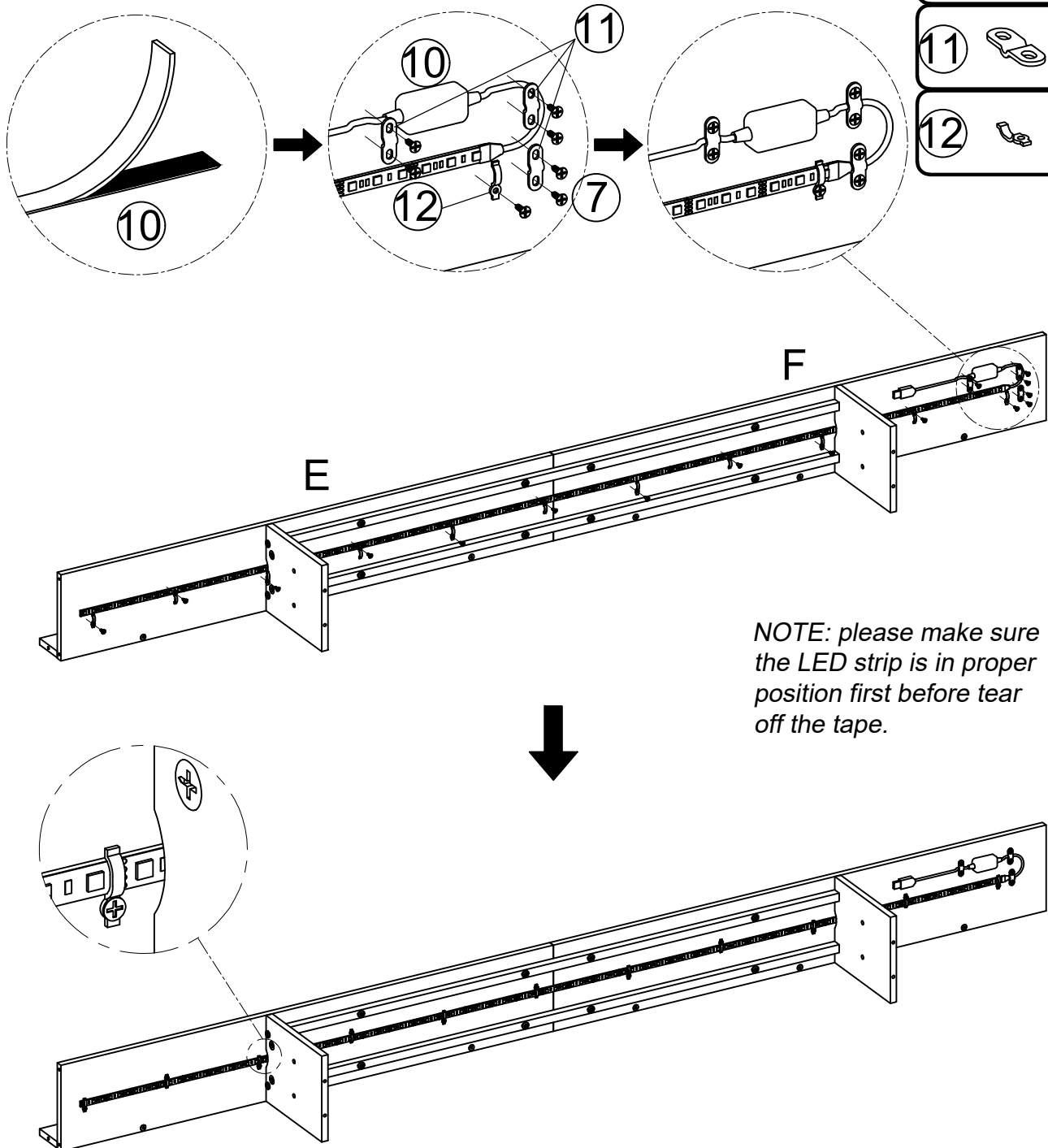
STEP 7



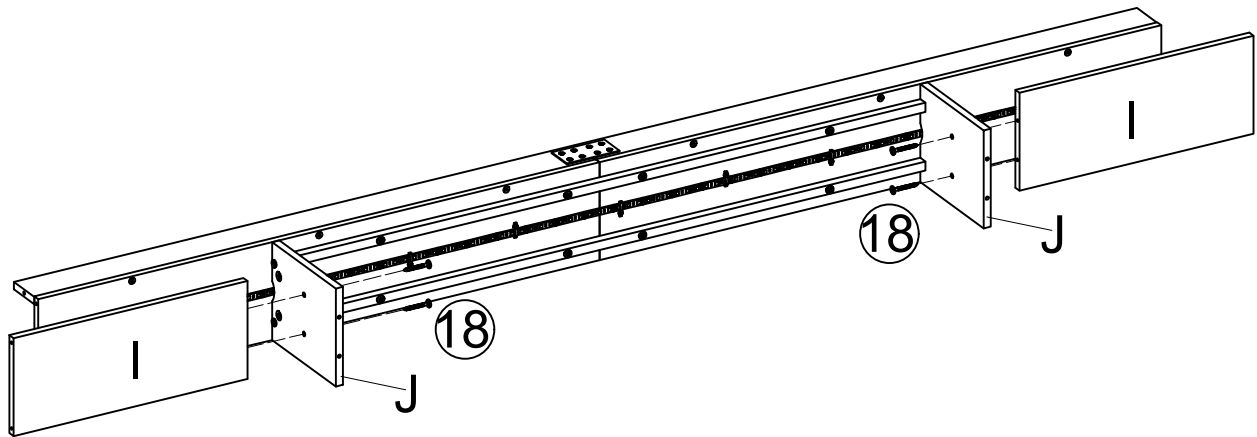
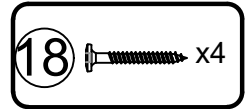
STEP 8

Tear off the tape of the LED strip, stick the LED strip to the bottom of top panels(E&F). Fix the LED strip with plastic clips.
Note: Do not cover the lamp beads.

- 7  x17
- 10  x1
- 11  x3
- 12  x11

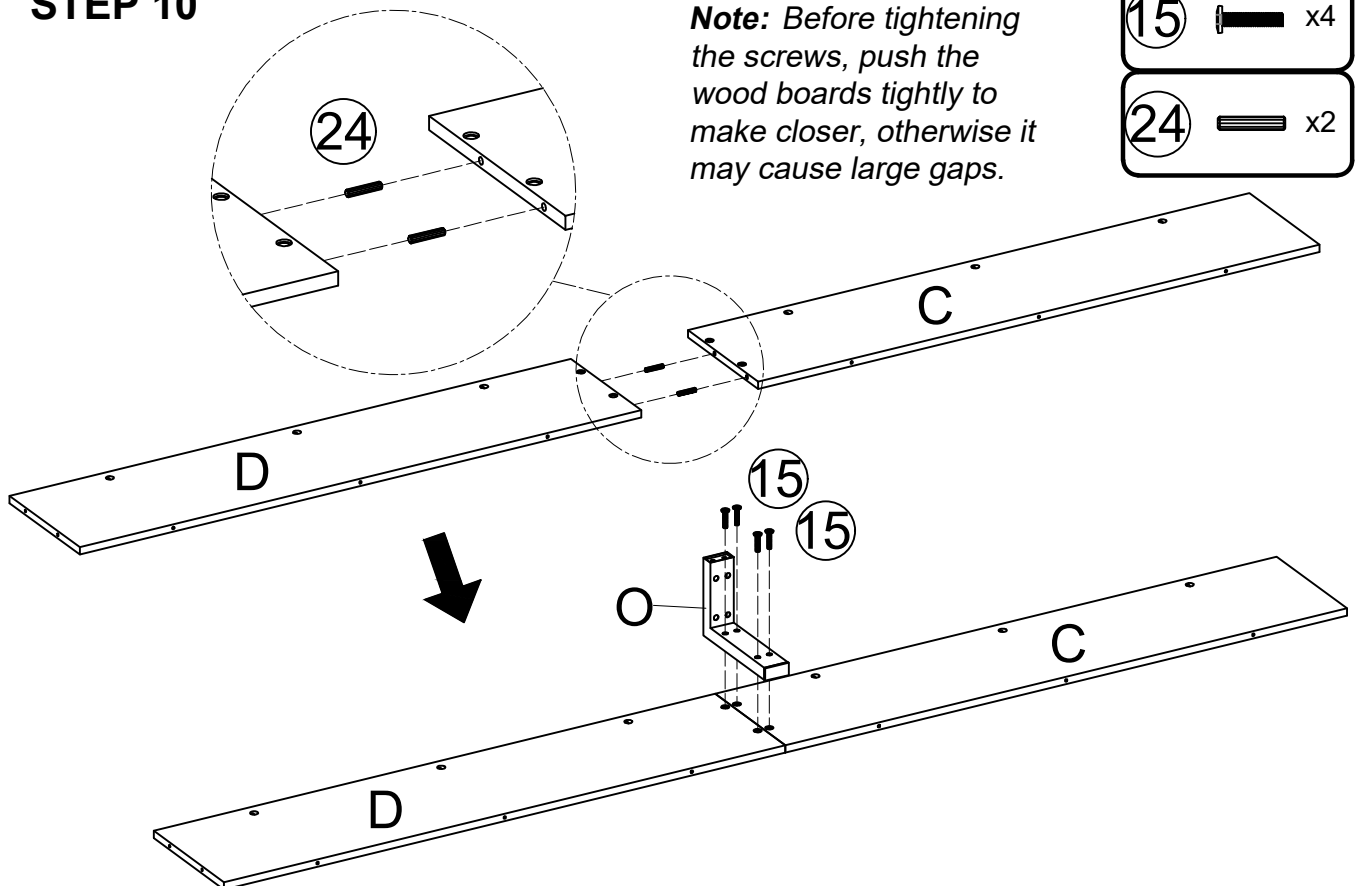
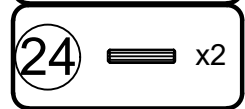
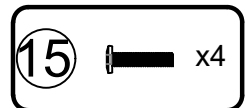


STEP 9

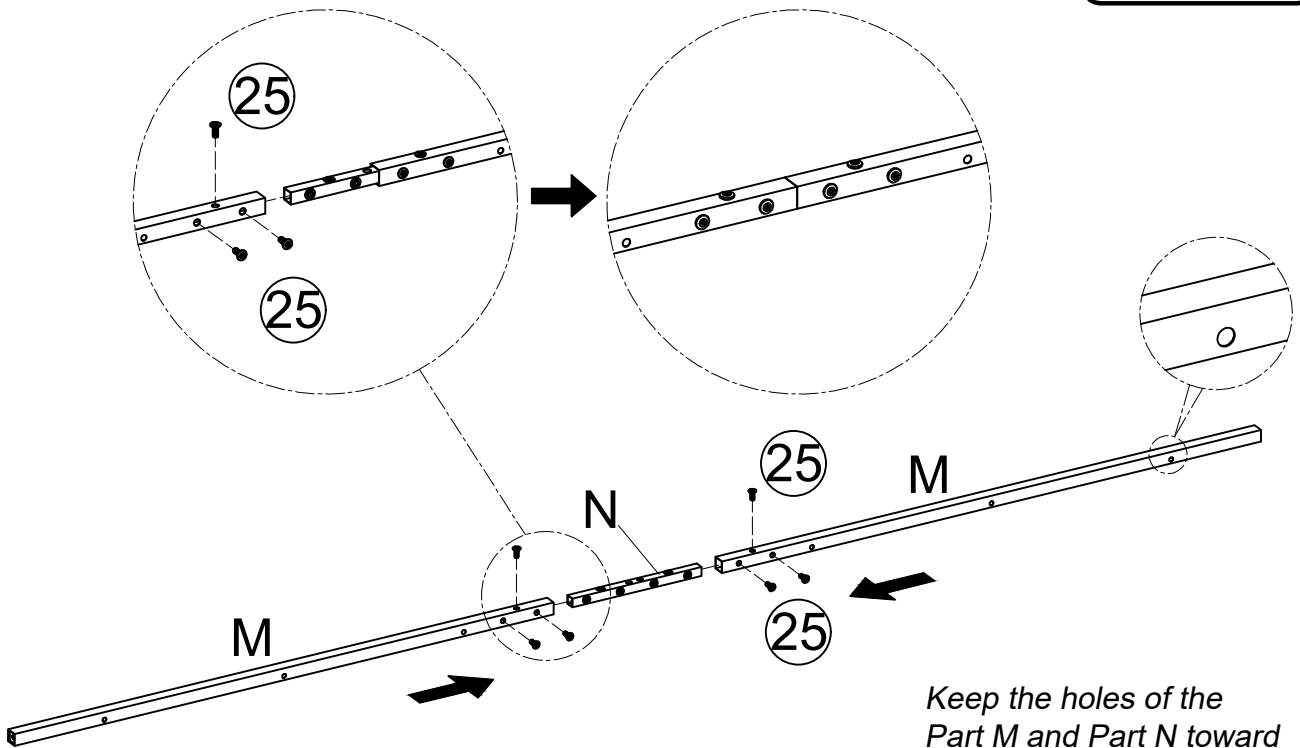
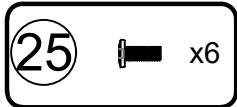


STEP 10

Note: Before tightening the screws, push the wood boards tightly to make closer, otherwise it may cause large gaps.

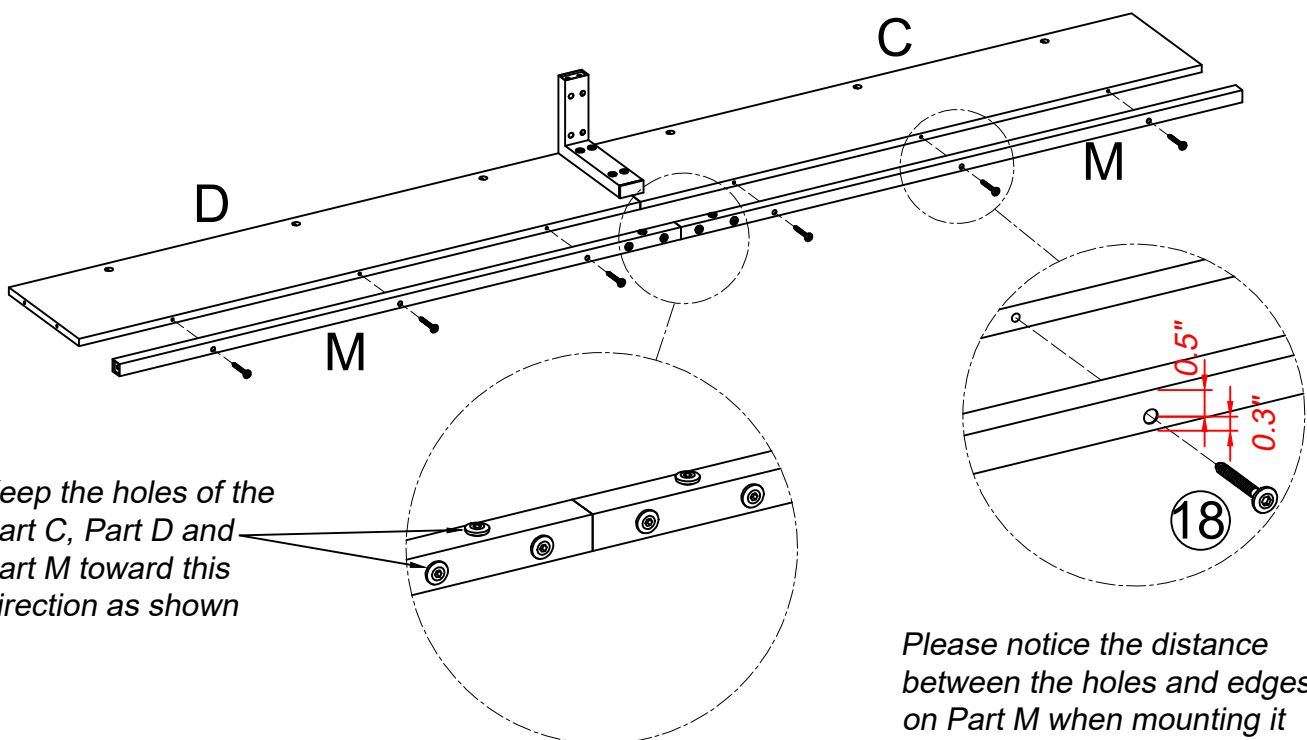
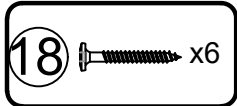


STEP 11



Keep the holes of the Part M and Part N toward this direction as shown


STEP 12

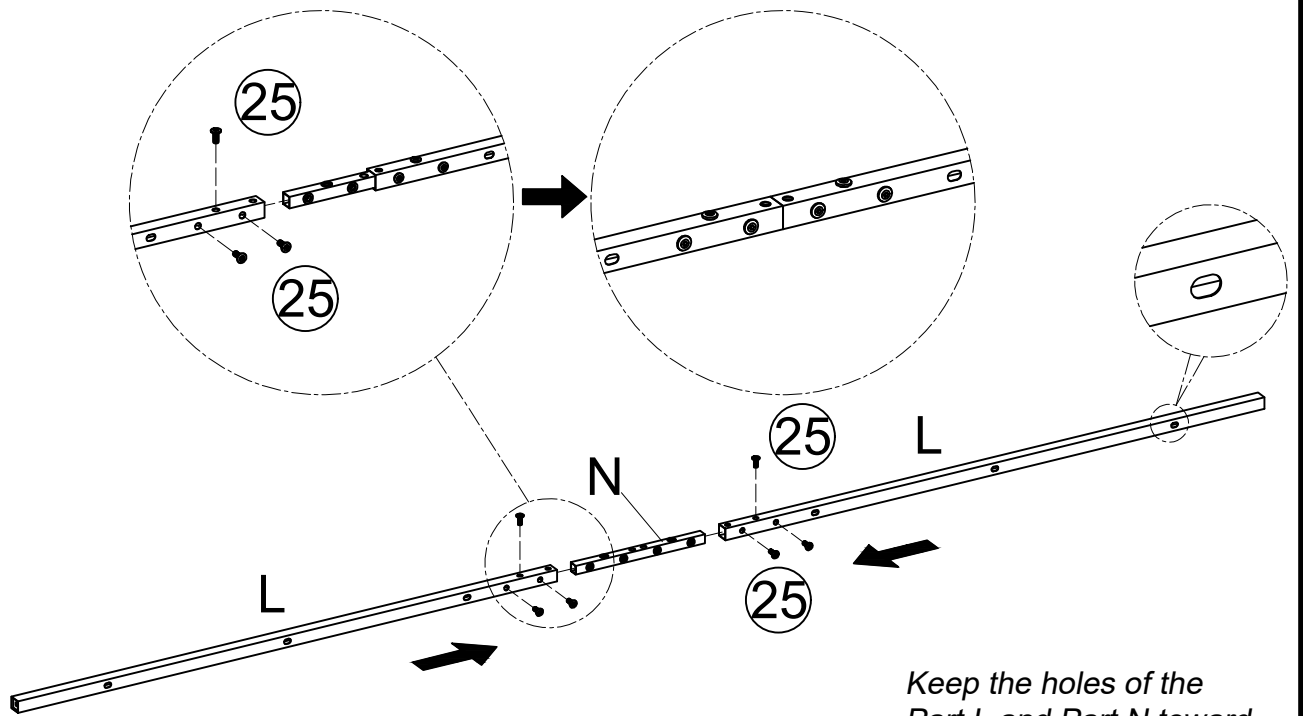


Keep the holes of the Part C, Part D and Part M toward this direction as shown

Please notice the distance between the holes and edges on Part M when mounting it


STEP 13

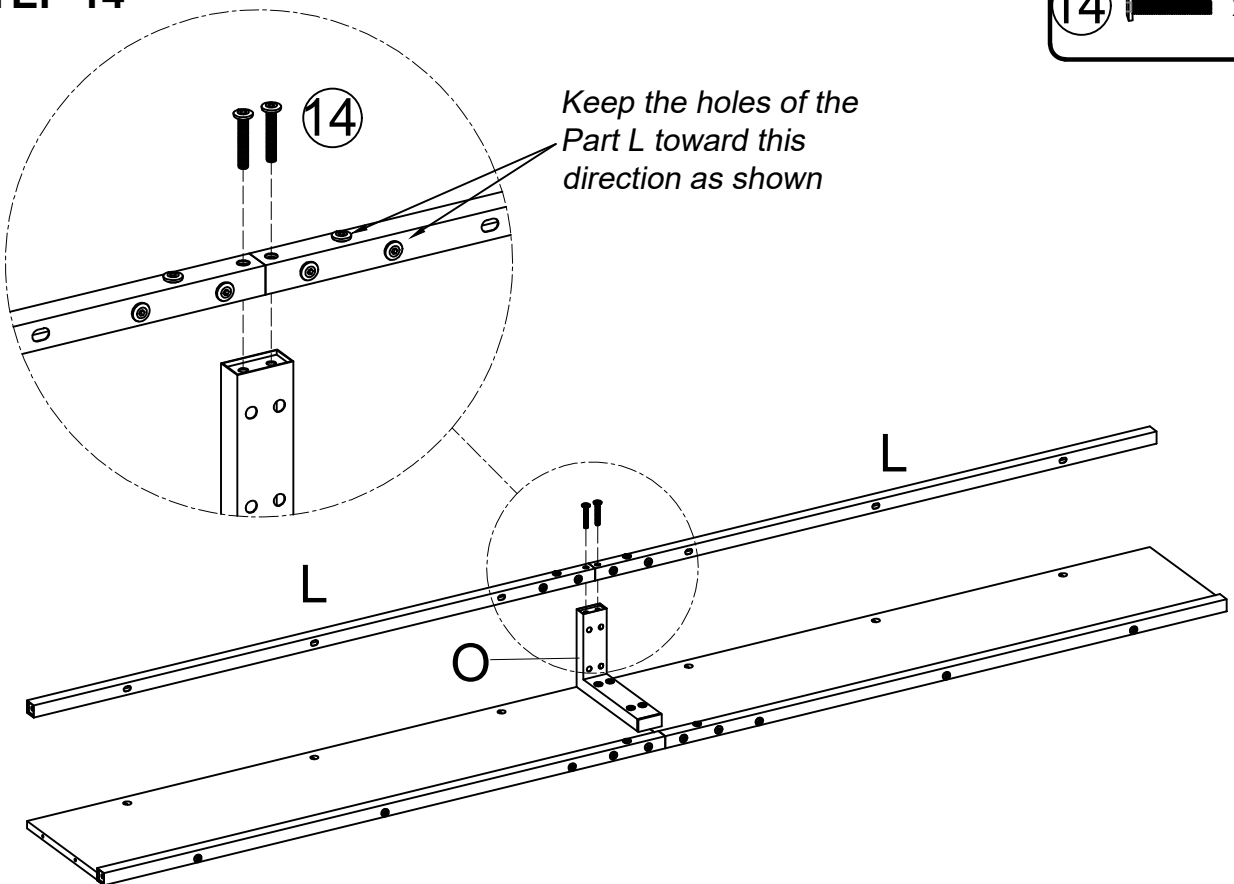
25  x6



Keep the holes of the Part L and Part N toward this direction as shown

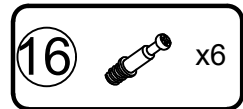
STEP 14

14  x2

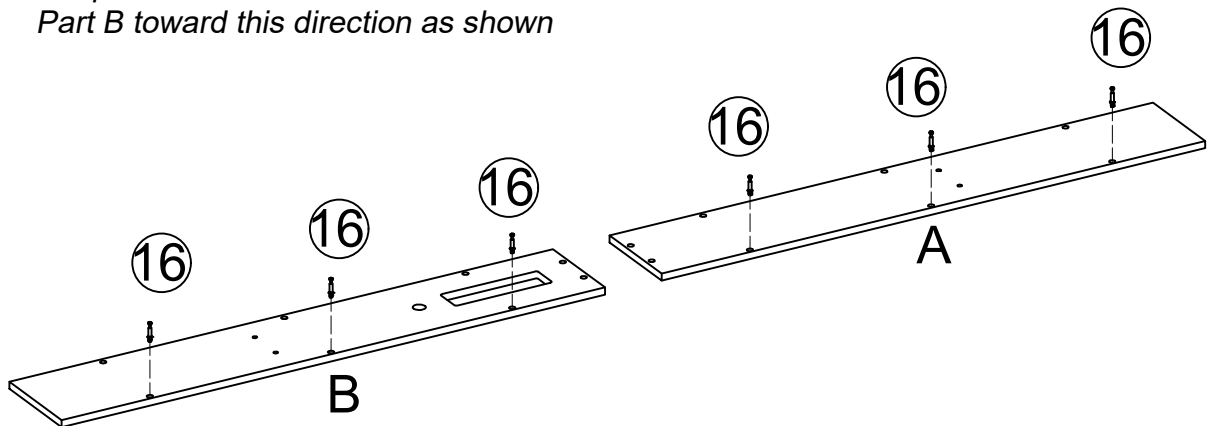


Keep the holes of the Part L toward this direction as shown

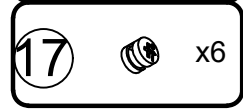
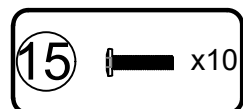
STEP 15



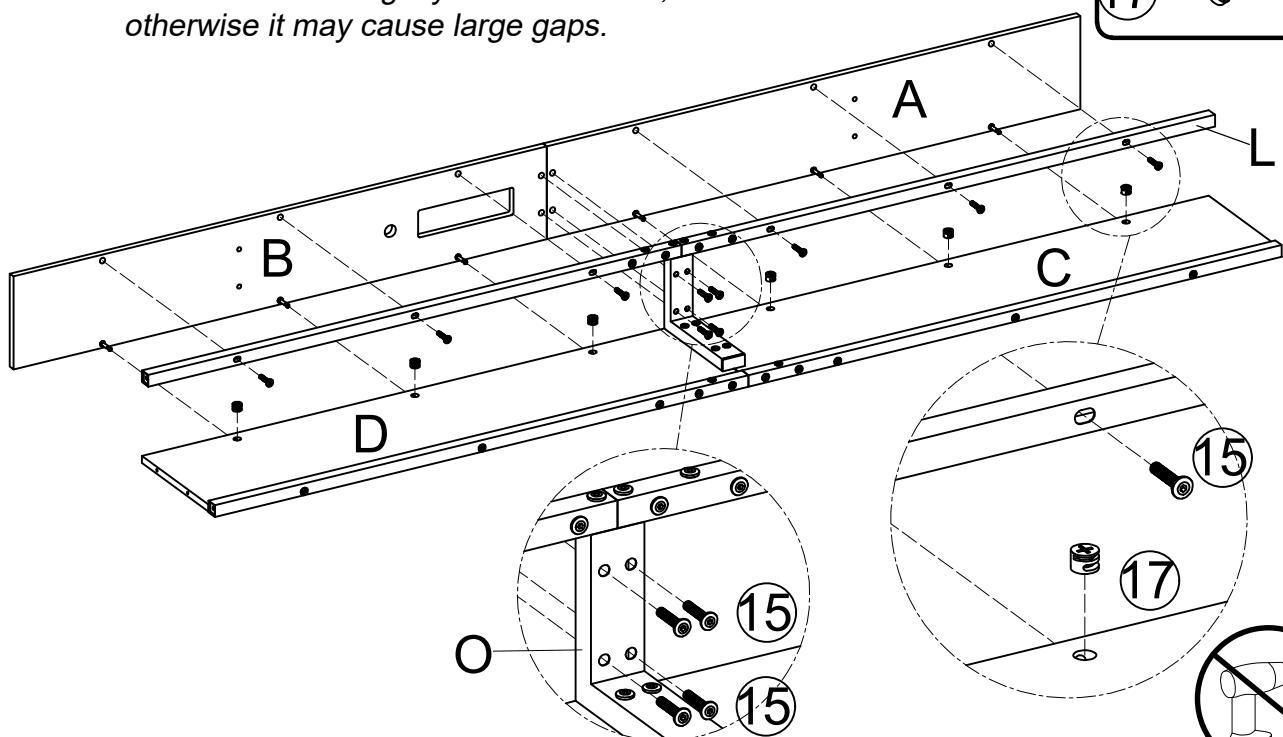
Keep the holes of the Part A and Part B toward this direction as shown




STEP 16

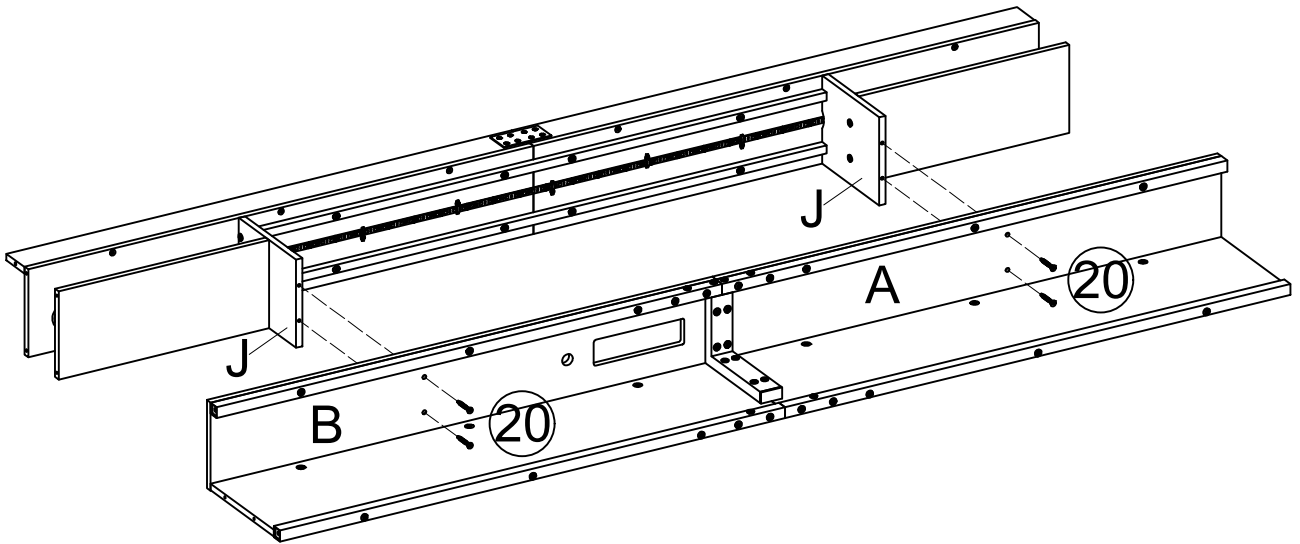


Note: Before tightening the screws, push the wood boards tightly to make closer, otherwise it may cause large gaps.





STEP 17

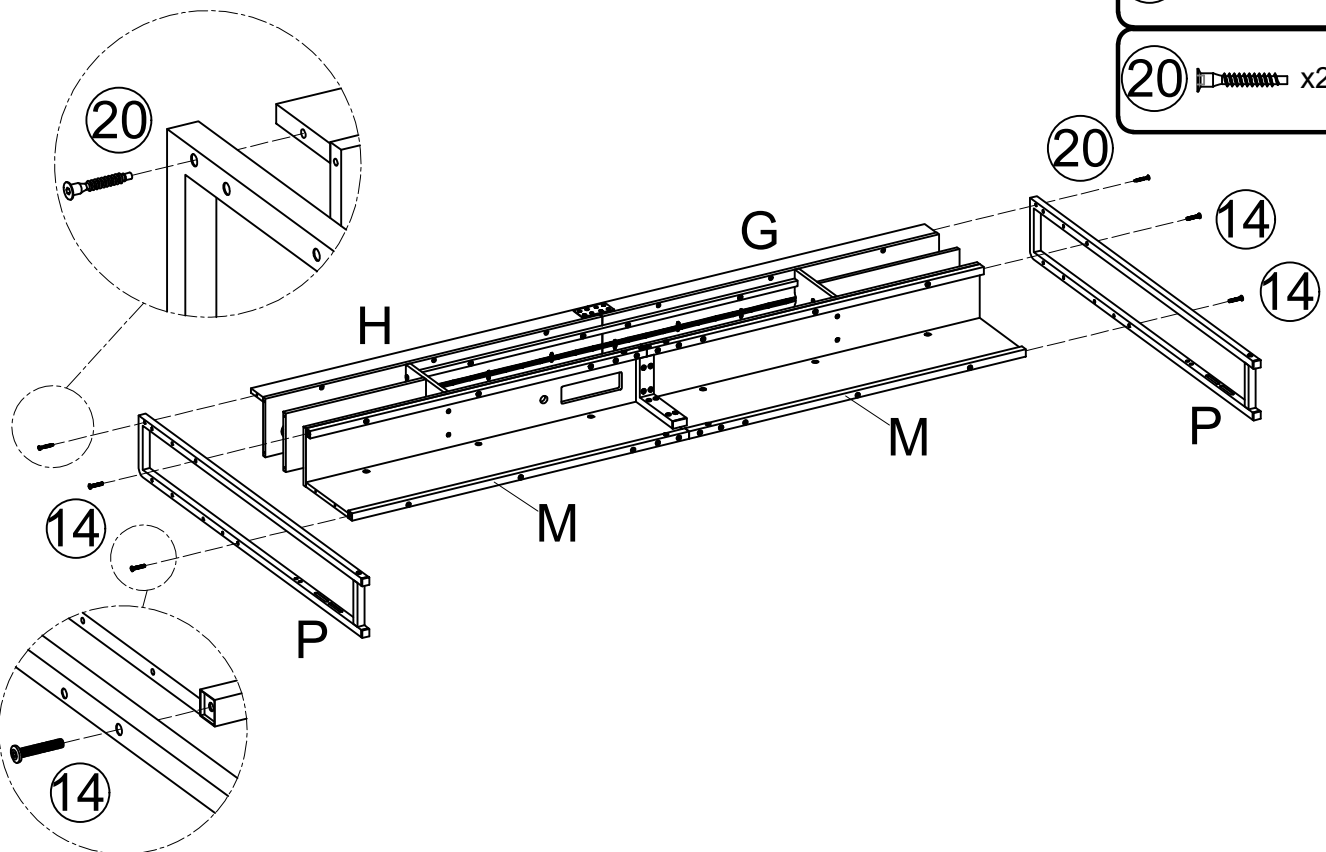
20  x4



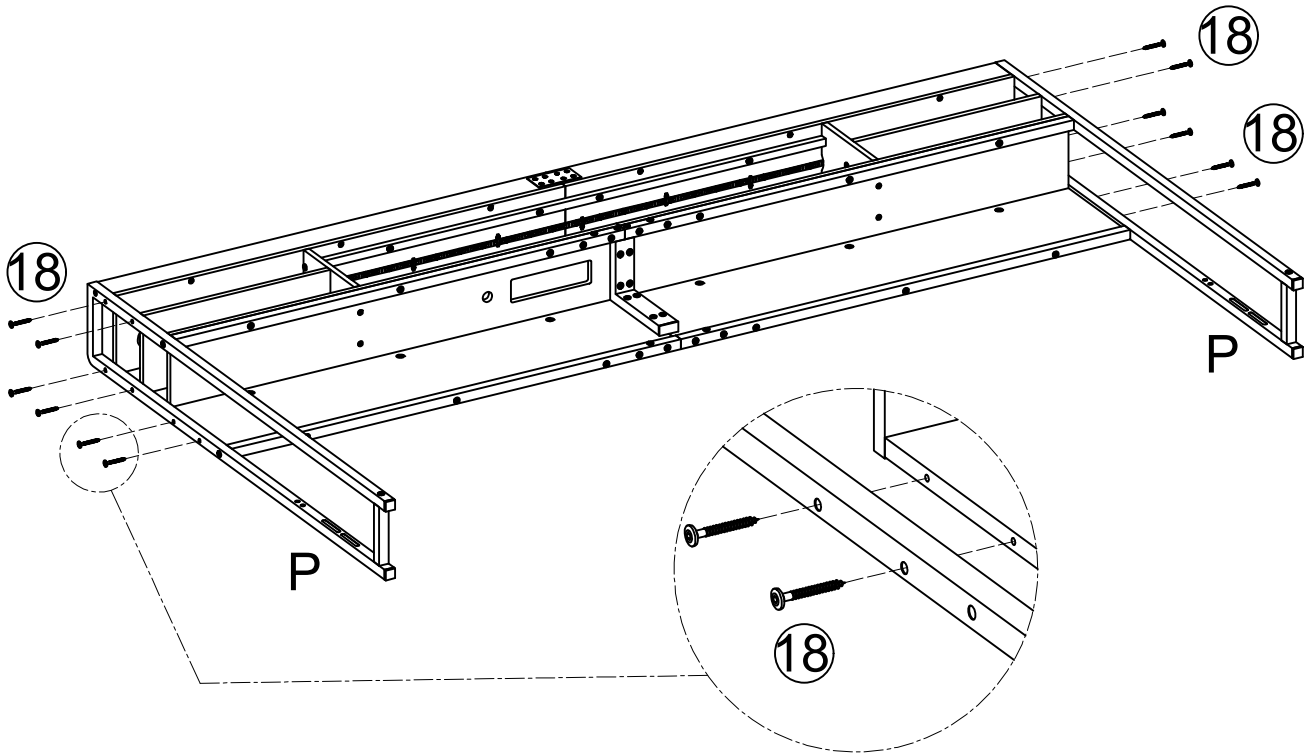
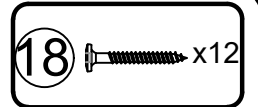
STEP 18

14  x4

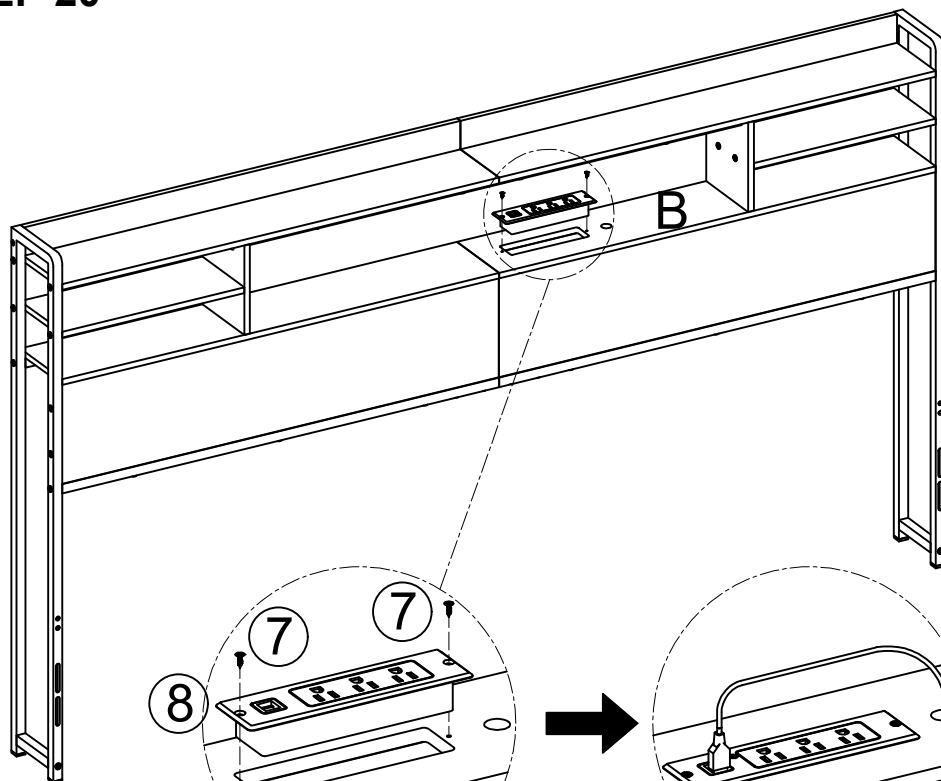
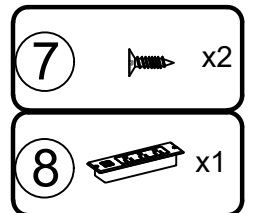
20  x2



STEP 19



STEP 20

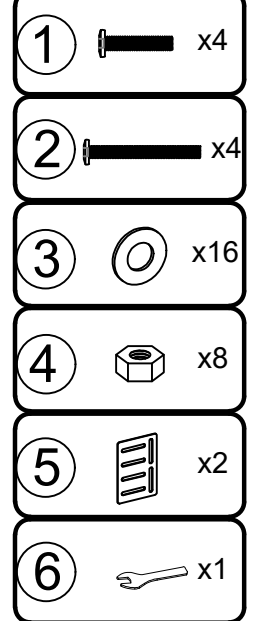
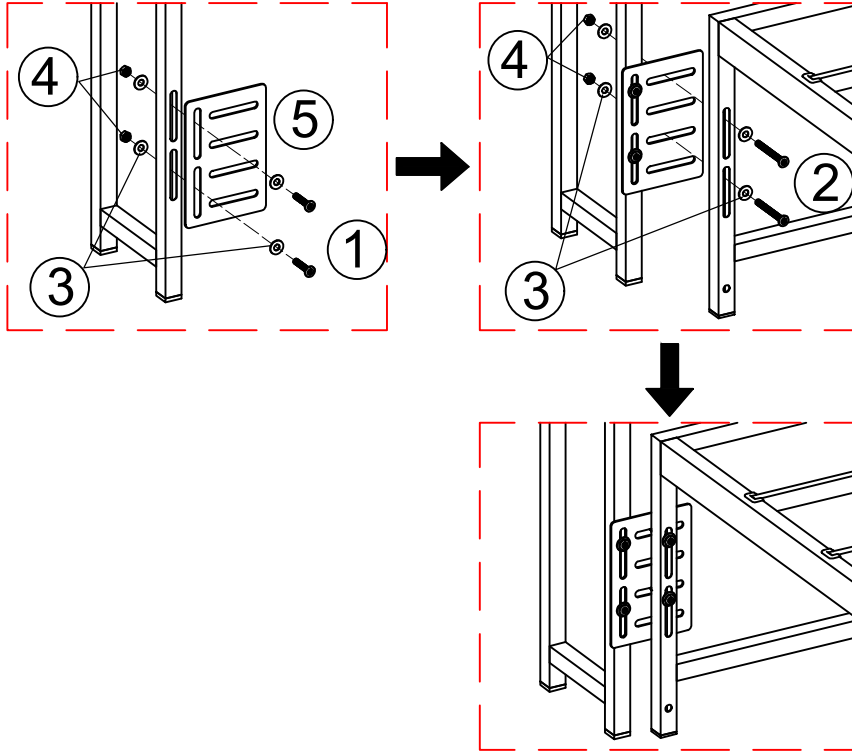


USB cable
through
this hole.



Bed Frame Adapter

When the installation distance between the headboard bracket and the bed frame (not included) is too large or too small, an adjustable board can be used to link.



When the installation distance between the headboard bracket and the bed frame (not included) is just fine, an adjustable board can also be used to link.

