

Brand Concept

Garsing, a top manufacturer and good designer, has decades of experience in manufacturing patio products. Each piece is sleekly designed, rigorously tested for durability, and assembly instructions have been standardized for simplicity from start to finish.

Garsing always looks forward to creating a freedom lifestyle for more people, and more opportunities to explore the unknown and explore the value of life!

Garsing hopes your leisure time delightful and comfortable by providing more patio products with reliable craftsmanship and durable material and 24 Hours service.

Our Service

30-day money back guarantee.

90-day warranty for quality-related issue with free replacement.

24 Hours Online Customer Service FOR YOU!

Reminder: Be sure to use your product as directed.

WhatsApp: 0086-13905747420

EMAIL: garsing_service@163.com



Order Status



Installation Help



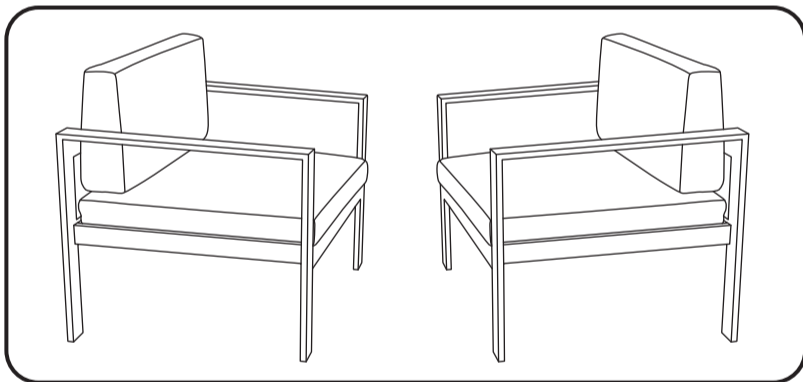
Gift Cards



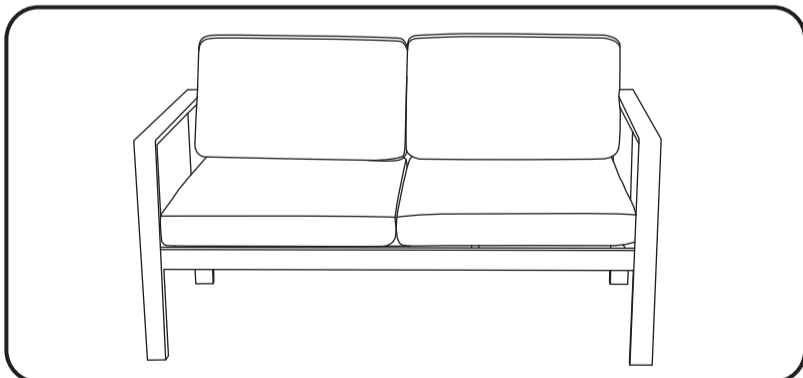
New Product Discount

Aluminum Patio Furniture Set

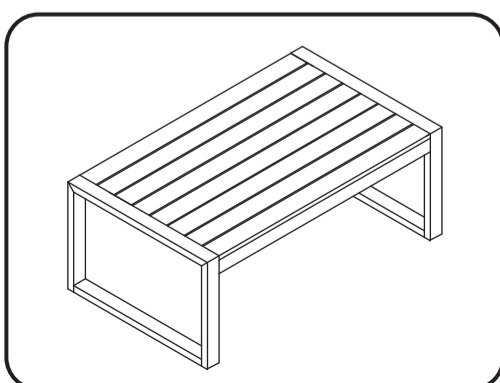
Part & Accessories



Single Chair × 2 + Single Seat Cushion × 2

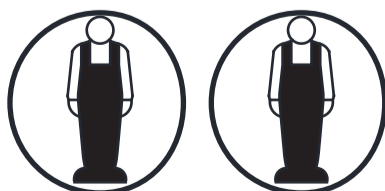


Double Chair × 1 + Double Seat Cushion × 1



End Table × 1

People Required: 2



Tools Required: None

Ested Time: 30 minutes

Care & Maintenance

1. When adjusting the furniture, make sure that no other person or item is close to the aluminum tube. This is important to prevent injury or material damage.
2. Keep the cushion away from fire; do not use it during extreme cold and heat, and severe weather like rainy, windy, snowy days, hailstorms, etc.
3. Fabric might be color faded by a period of use, especially under strong sunlight.
4. It can be protected with rainscreen to help extend the service life when not in use.
5. It is recommended to replace a new outdoor cushion every year.
6. Check every 3 months that all assembly fastenings are properly tightened and retightened when necessary.

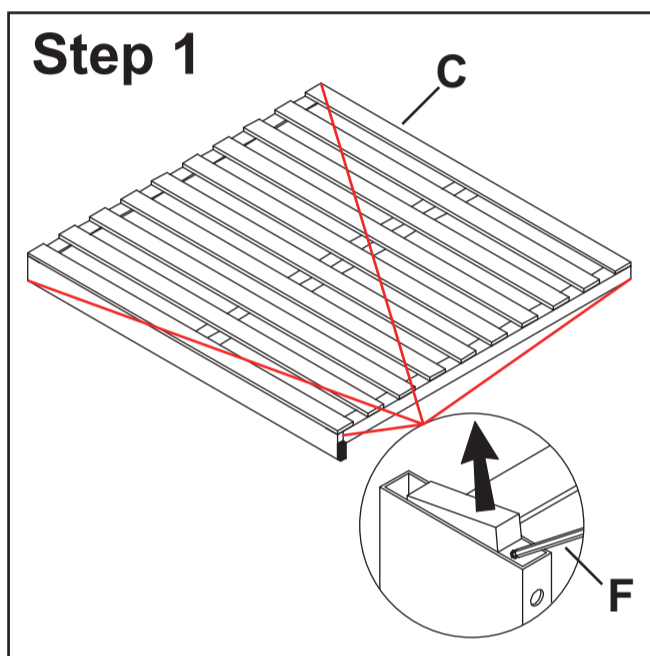
Aluminum Patio Furniture Set

How to Install the Single Chair?

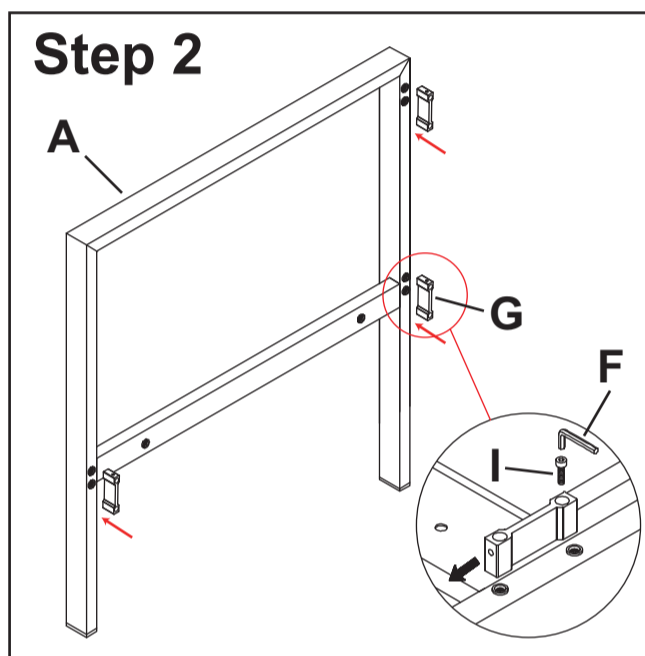


ASSEMBLY VIDEO

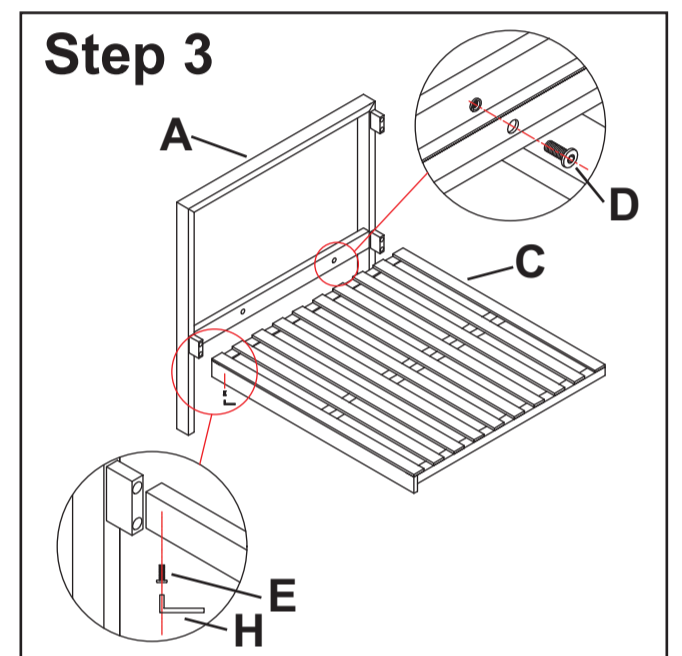
Parts List:		A	B	C	D: M6 × 20	E: M6 × 25	F: Φ5MM	G	H: M4	I: M6 × 20
2PCS	1PC	1PC	4PCS	6PCS	1PC	6PCS	1PC	12PCS		



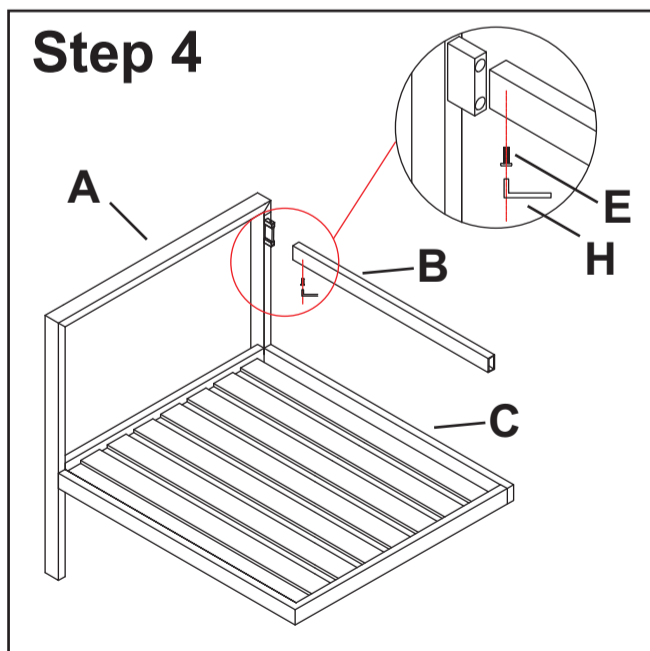
1. Place Part C upright
2. Remove the tube hole protector on 4 side



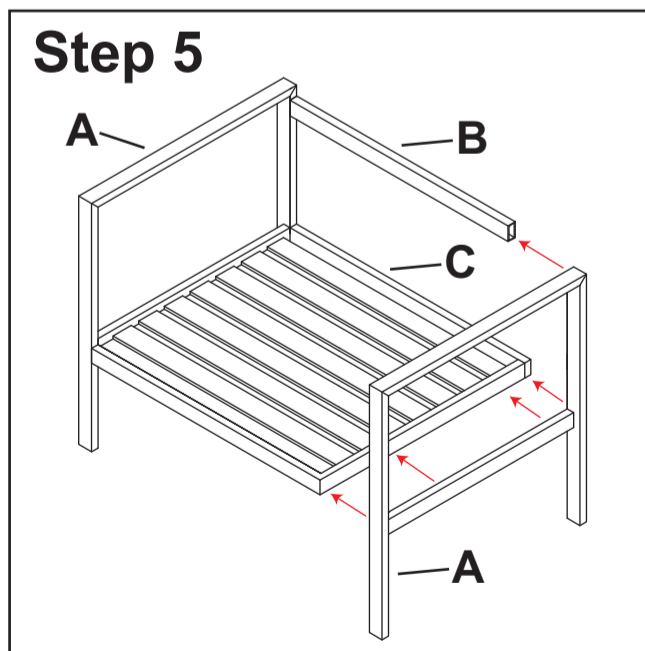
3. Install Part G (hole downward) on part A tube with nut I on 6 position, use tool F to fix it



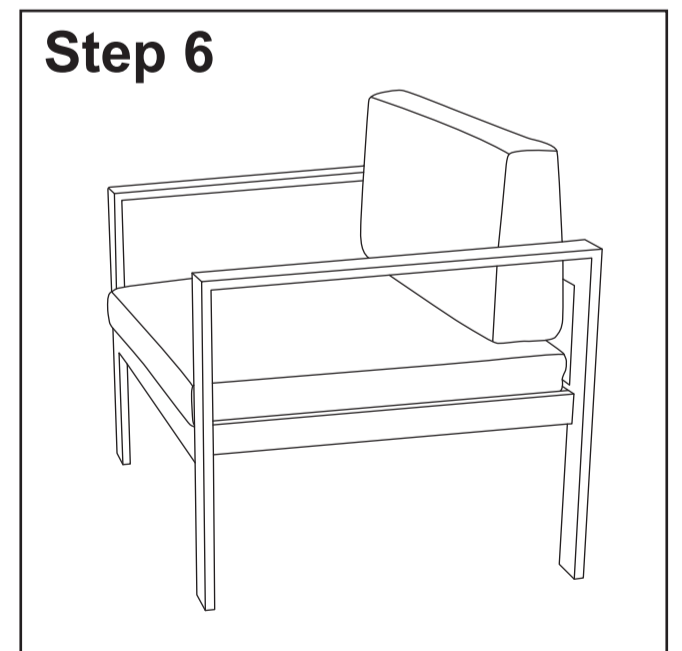
4. Connect A&C: Use tool H to fix nut E on 2 position; Use tool H to fix nut D on 2 position



5. Connect A&B: Use tool H to fix nut E



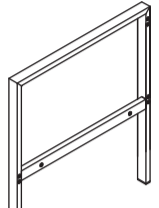

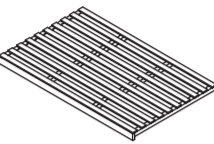
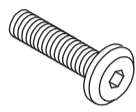
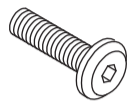
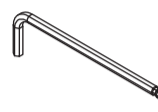
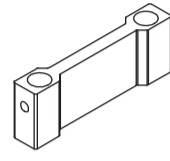
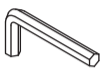
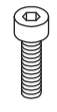
6. Connect another part A with part B&C, same as step 3&4

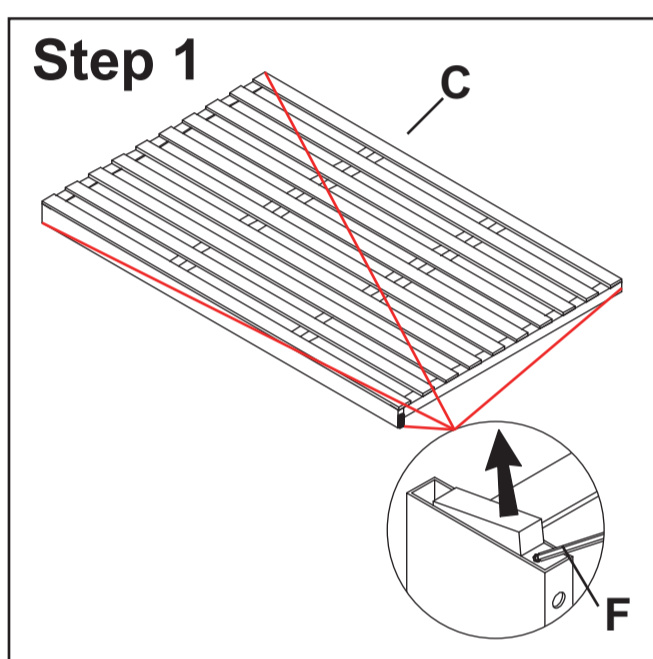


7. Unwrap the cushions and put them on, and you will have a complete single-chair

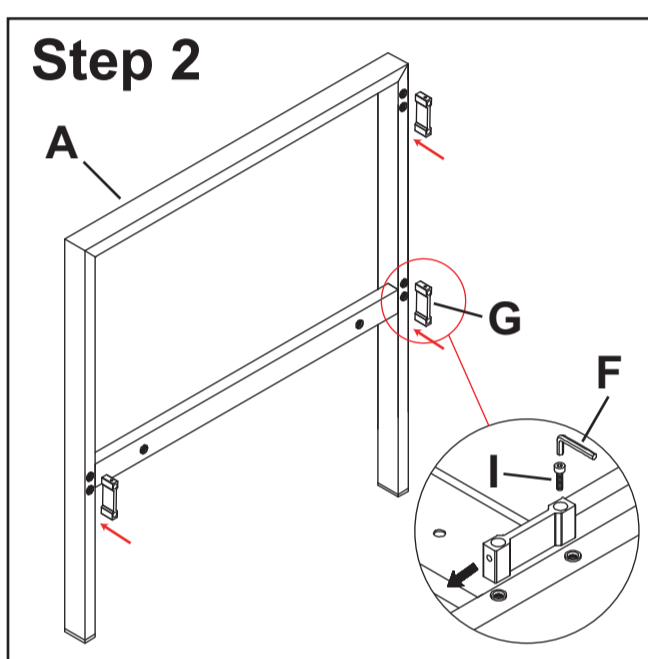
Aluminum Patio Furniture Set

How to Install the Double Chair?

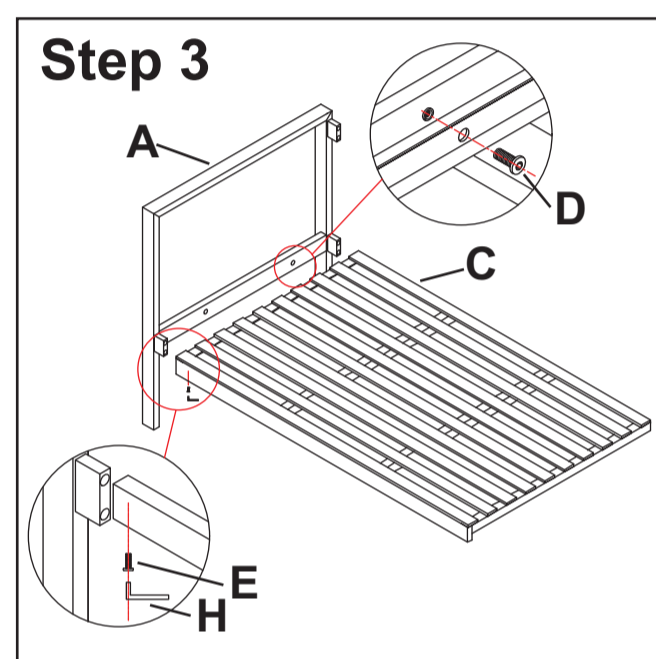
Parts List:								
A	B	C	D: M6 × 20	E: M6 × 25	F: Φ5MM	G	H: M4	I: M6 × 20
								
2PCS	1PC	1PC	4PCS	6PCS	1PC	6PCS	1PC	12PCS



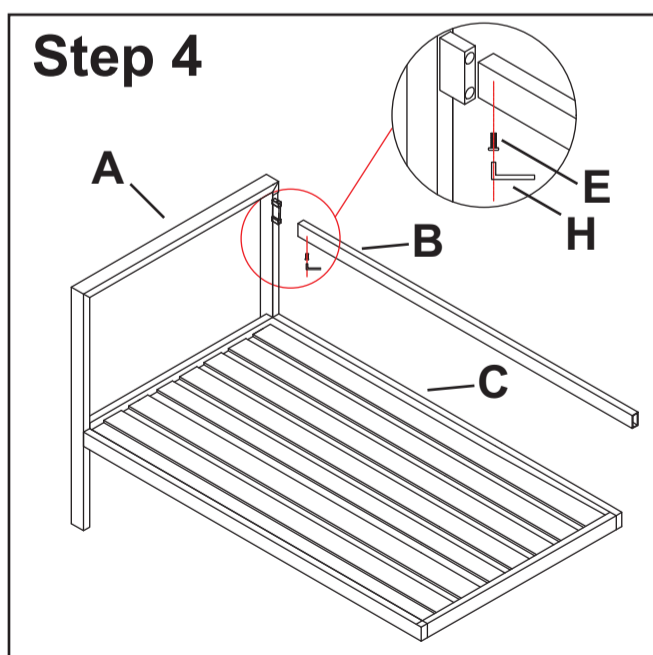
Step 1
1. Place Part C upright
2. Remove the tube hole protector on 4 side



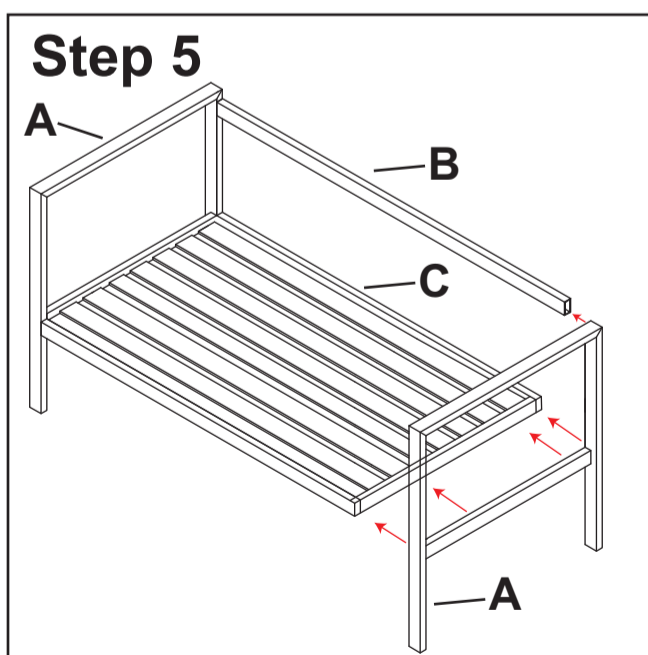
Step 2
Install Part G (hole downward) on part A tube with nut I on 6 position, use tool F to fix it



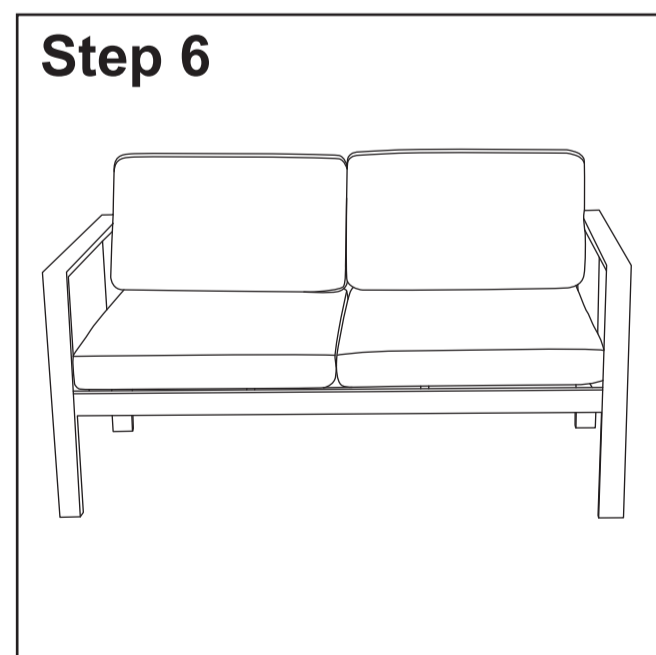
Step 3
Connect A&C: Use tool H to fix nut E on 2 position; Use tool H to fix nut D on 2 position



Step 4
Connect A&B: Use tool H to fix nut E

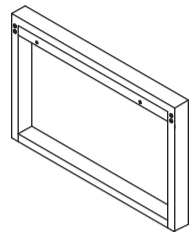
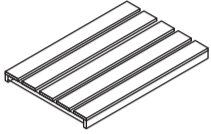
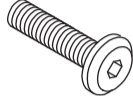
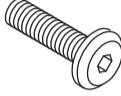

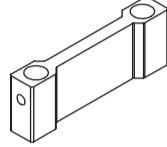
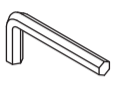
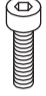


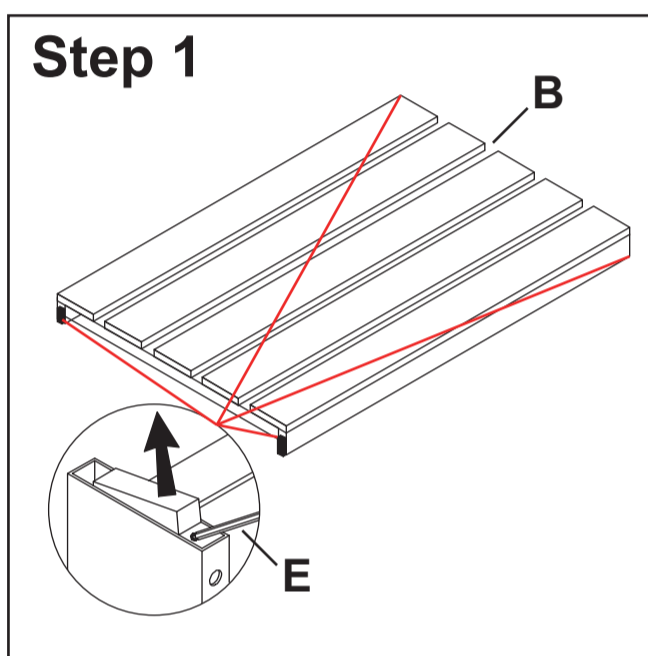
Step 5
Connect another part A with part B&C, same as step 3&4



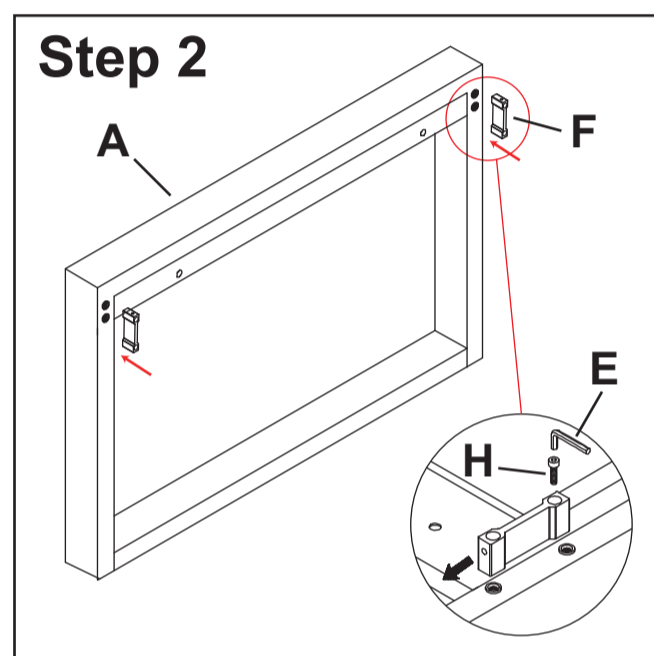
Step 6
Unwrap the cushions and put them on, and you will have a complete double-chair

How to Install the End Table?

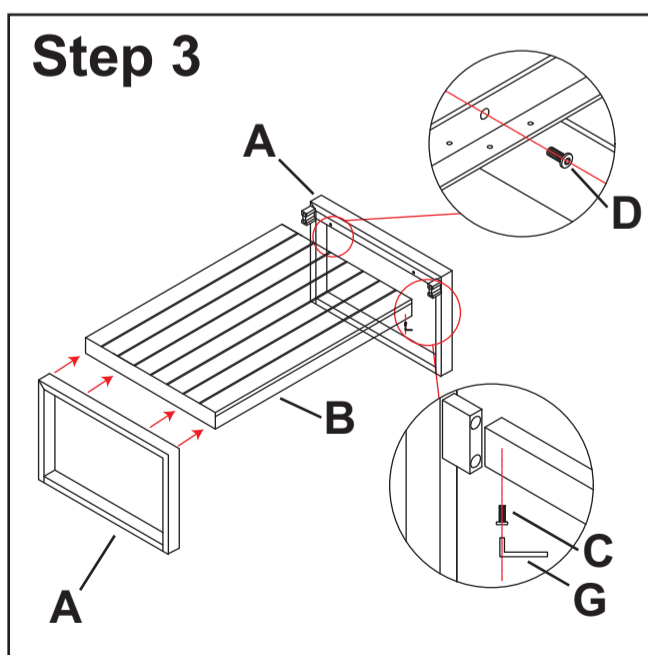
Parts List:							
A	B	C: M6 × 25	D: M6 × 10	E: Φ 5MM	F	G: M4	H: M6 × 20
							
2PCS	1PC	4PCS	4PCS	1PC	4PCS	1PC	8PCS



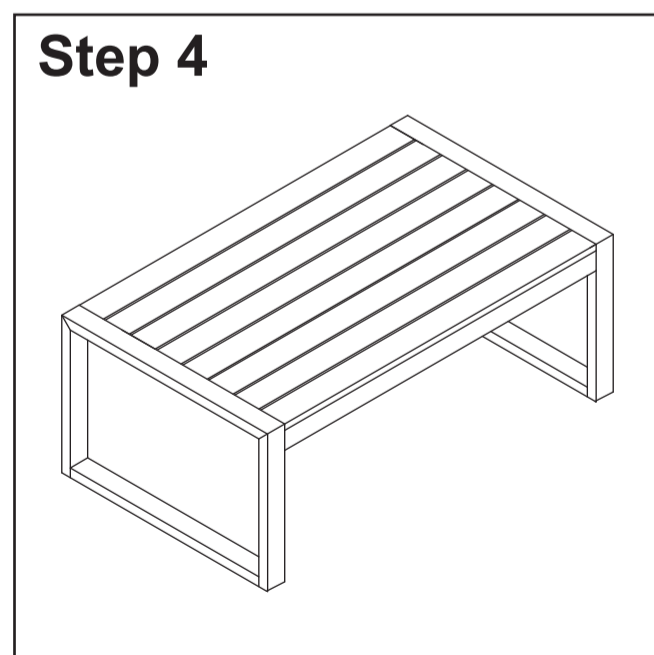
1. Place Part B upright
2. Remove the tube hole protector on 4 side



- Install Part F (hole downward) on part A tube with nut H on 4 position, use tool E to fix it



- Connect A&B: Use tool G to fix nut C; Use tool G to fix nut D



You will get a full end table