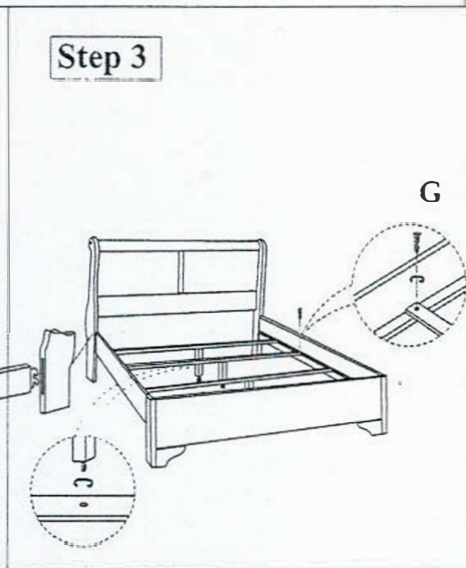
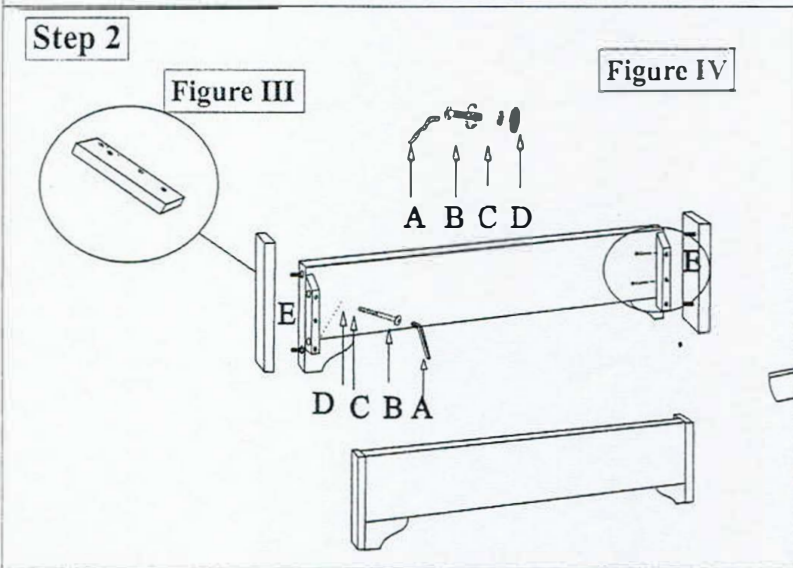
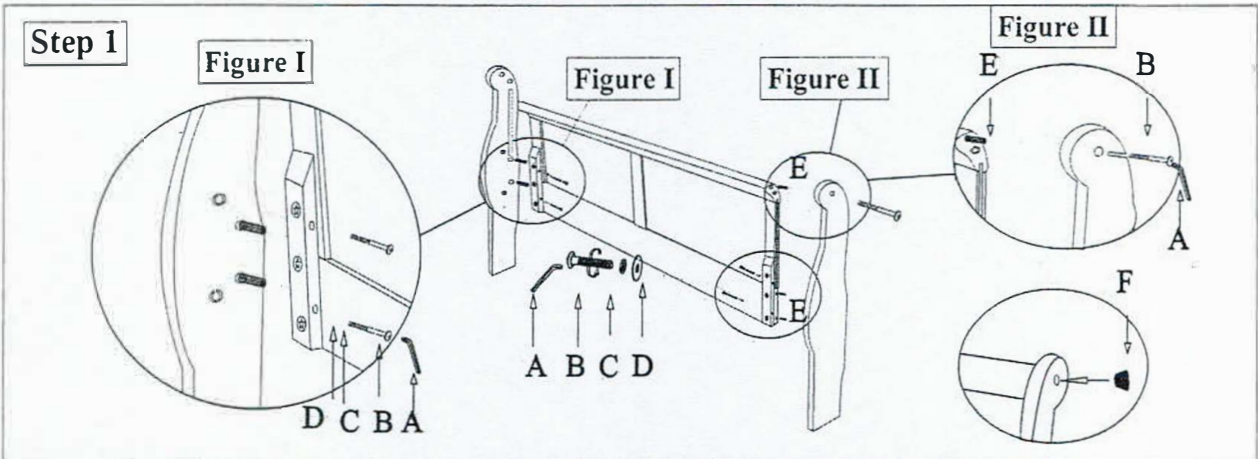





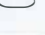



ASSEMBLY INSTRUCTION

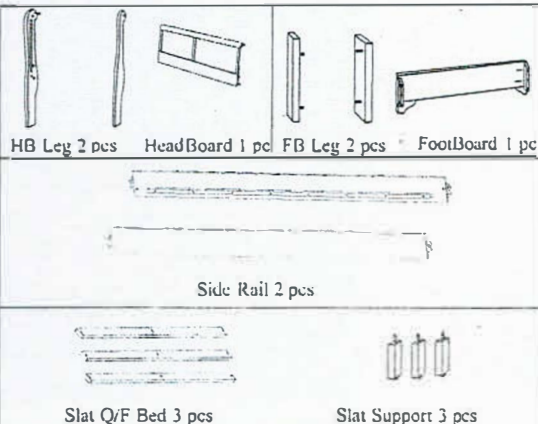
QUEEN/FULL BED

Thank you for purchasing this quality product. Be sure to check all packing material carefully for small parts that may have come loose inside the carton during shipment.



Step	No.	Hardware	Qty
1 & 2	A	Allen wrench 	1
	B	Bolt 	10
	C	Spring Washer 	10
	D	Washer 	10
	E	Wood Dowel 	10
	F	Wood Plug 	2
3	G	Wood Screw 	6

Part List



Q/F BED

MADE IN VIETNAM