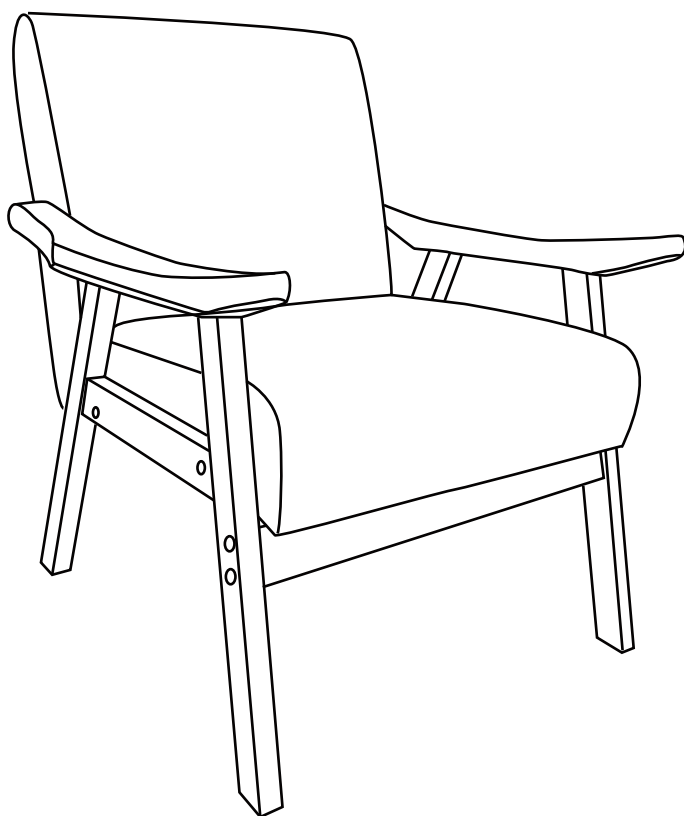


Assembly Instructions

READ THIS MANUAL

Do not use this product until you read and understand the instructions in this manual.

KEEP THIS MANUAL FOR FUTURE REFERENCE.



This manual is intended for installation and use. The pattern should correspond to the product you received.

If you have any questions about the product, please contact us through the contact information on the left. We will strive to resolve your problem within 24 hours on business days.

SAFETY INFORMATION

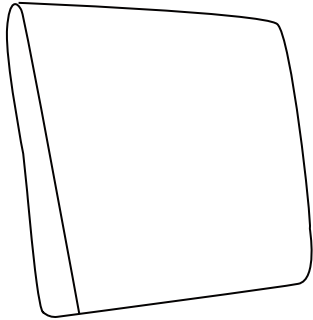
IMPORTANT! RETAIN FOR FUTURE REFERENCE: READ CAREFULLY

1. Care should be taken as the underside mechanism of this chair could present a hazard to other people when in use.
2. Do not sit on the edge of the seat, armrests or on the backrest as this could cause the chair to tip over.
3. Do not use the chair as a step stool.
4. Do not leave children unattended on or beside the product.
5. To avoid damage, assemble the product on a sturdy, level and protective surface.
6. Two or more persons work together to install this product if needed.
7. Make sure all screws are tightly fastened before the product is used.
8. Check screws periodically and tighten them if necessary.

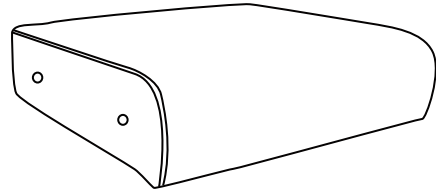
Failure to adhere to these warnings may result in serious injury or property damage.

PARTS AND ACCESSORIES

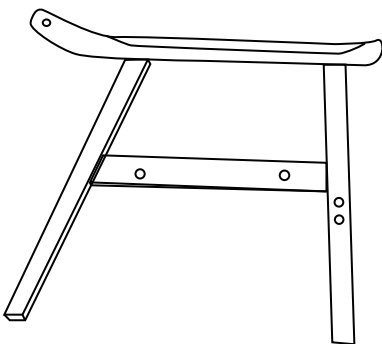
- ♦ Avoid using sharp objects such as a knife to cut open packing as you may accidentally damage the product.



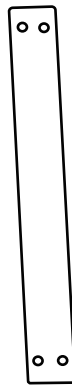
a Backrest X1



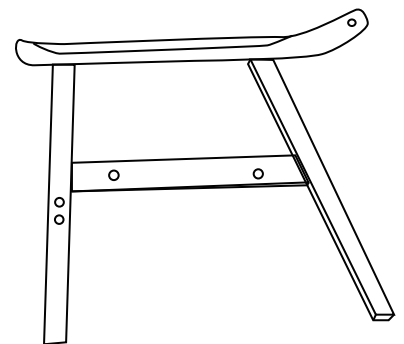
b Seat X1



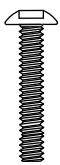
c Armrest L X1



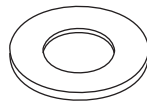
d Support rod X1



e Armrest R X1



1 Screw X12



2 Washer X2



3 Nut X4



4 Anti-slip sticker X4



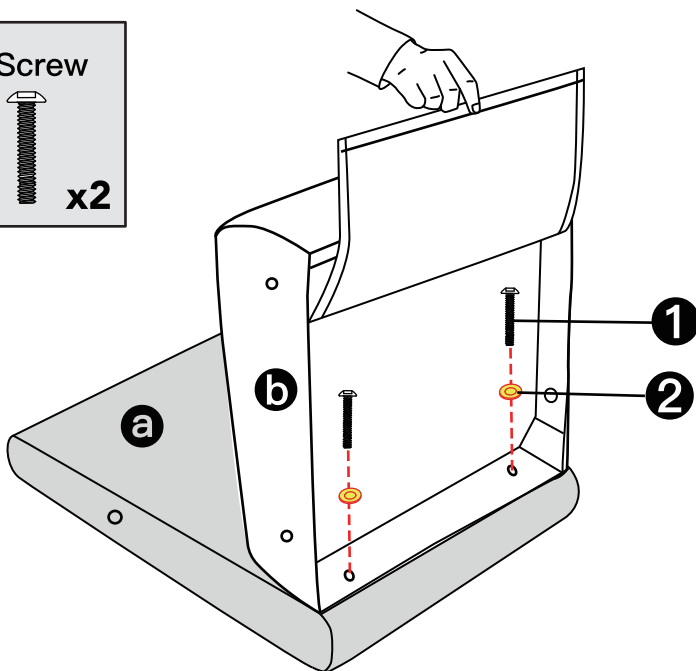
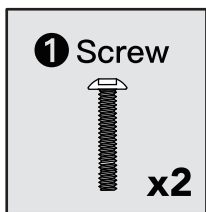
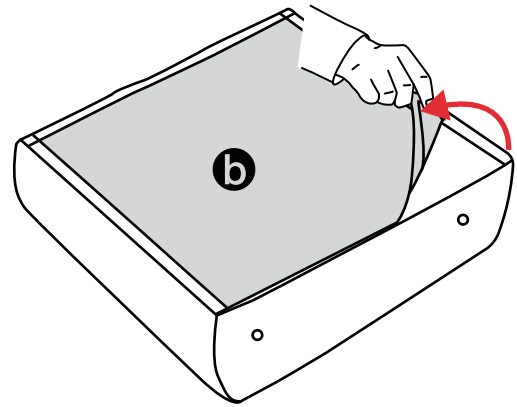
5 Wrench X1

ASSEMBLY INSTRUCTIONS



CAUTION: At least two adults are required to safely assemble this item. Other lifting attempts may risk back safety due to large and heavy part(s).

1. Invert the seat **b**, unstick the Velcro at the bottom of the seat.



2. Attach the backrest **a** to the seat with **1** and **2**.

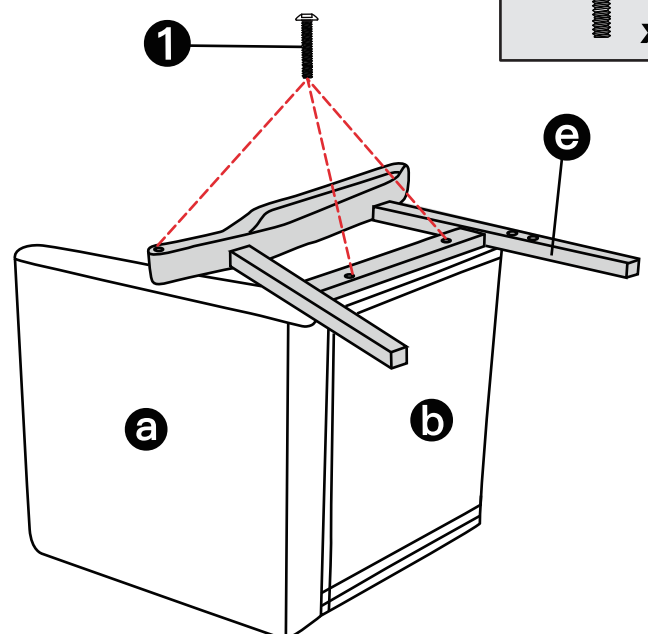
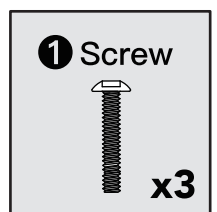


Position all the screws, but **DO NOT twist too tight**. For best alignment, it's best to put them with 50% screw filling and then get the rest work done.

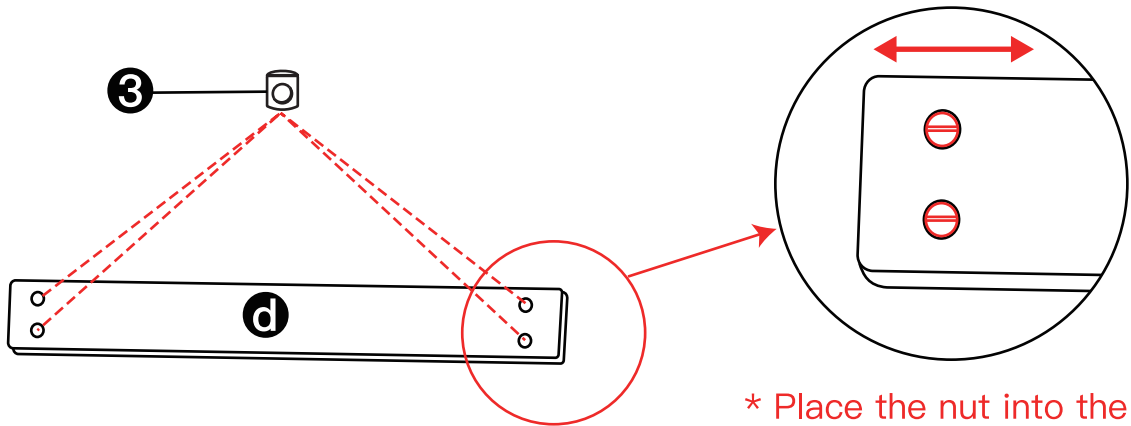
3. Install the armrest R **e** on the seat with screw **1**.



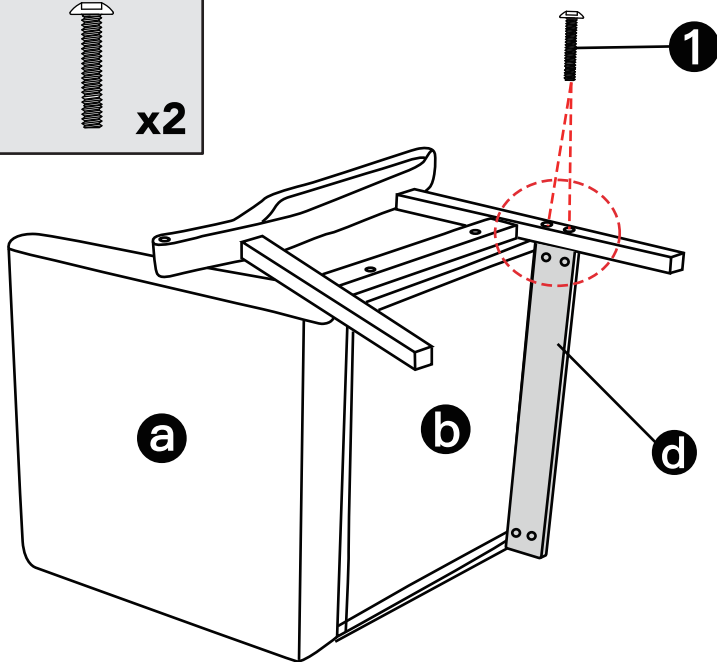
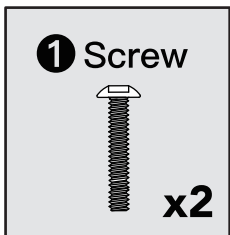
Position all the screws, but **DO NOT twist too tight**. For best alignment, it's best to put them with 50% screw filling and then get the rest work done.



4. Insert the nuts into support rod as shown.



* Place the nut into the crossbar hole as shown.



5. Attach the support rod to the armrests as shown, and fix the support rod with the screws 1.

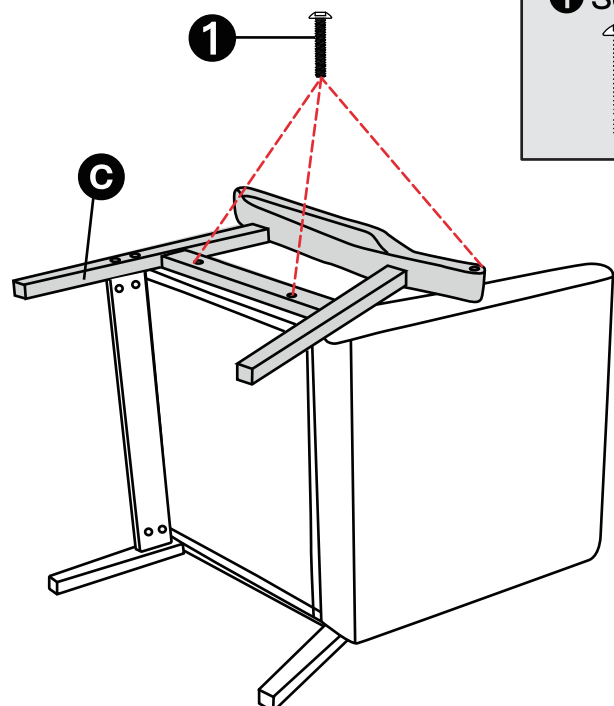
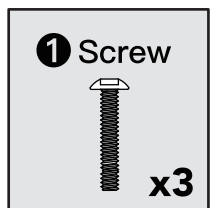
! Attention

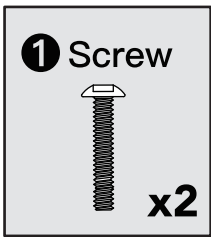
Position all the screws, but **DO NOT twist too tight**. For best alignment, it's best to put them with 50% screw filling and then get the rest work done.

6. Install the armrest L (c) on the seat with screw 1.

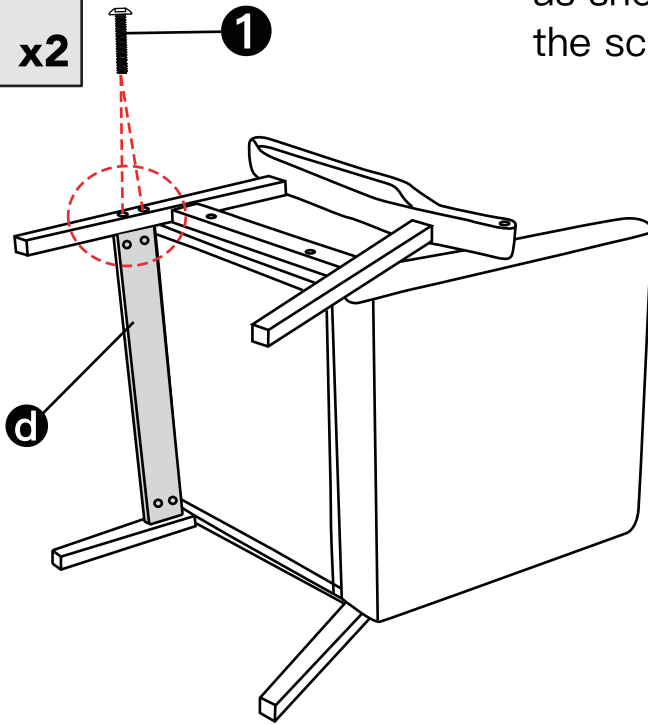
! Attention

Position all the screws, but **DO NOT twist too tight**. For best alignment, it's best to put them with 50% screw filling and then get the rest work done.





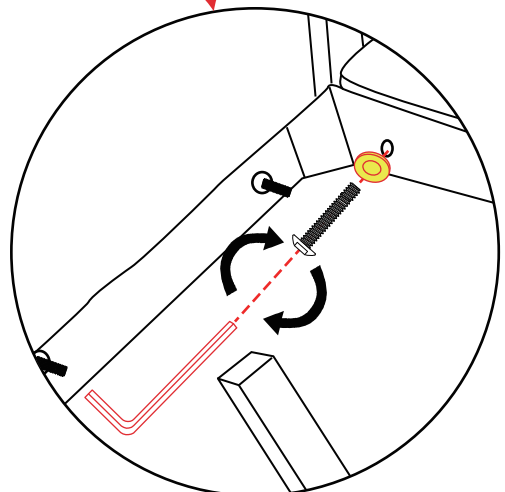
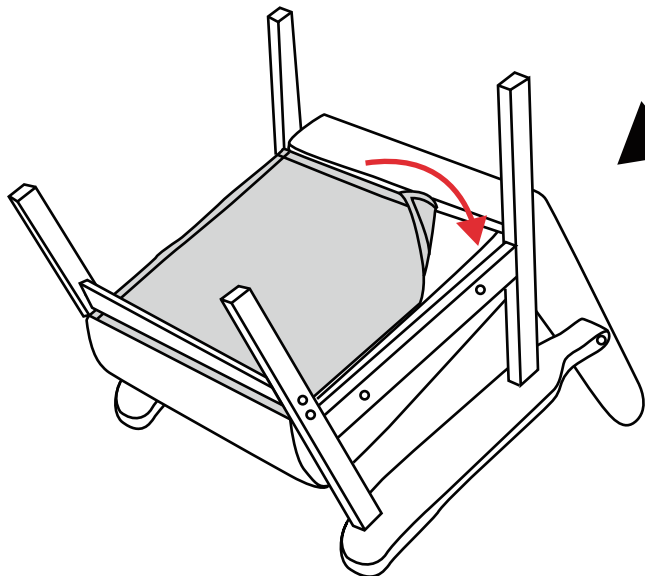
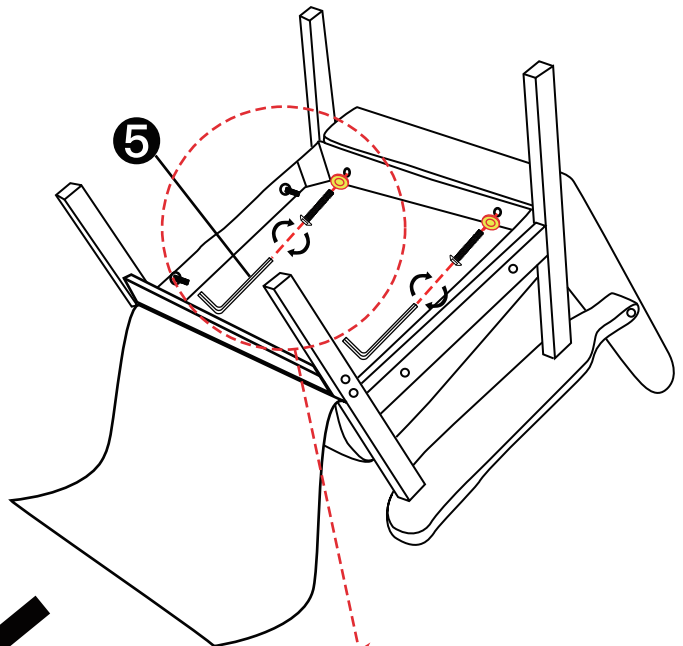
7. Attach the support rod to the armrests as shown, and fix the support rod with the screws 1.



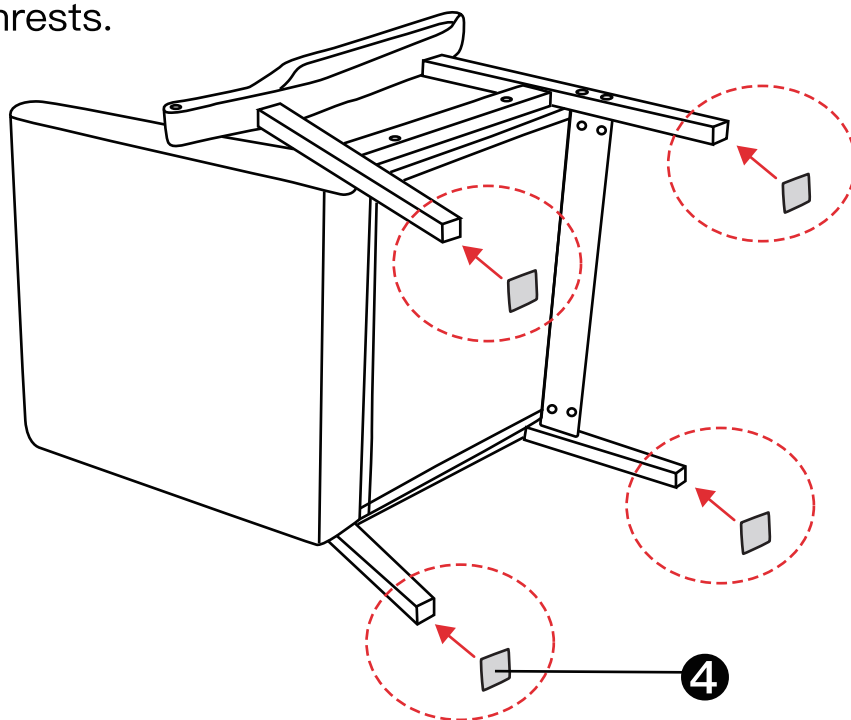
Position all the screws, but **DO NOT twist too tight**. For best alignment, it's best to put them with 50% screw filling and then get the rest work done.

8. Tighten the screw that fix the backrest and armrests.

Then Stick the Velcro.

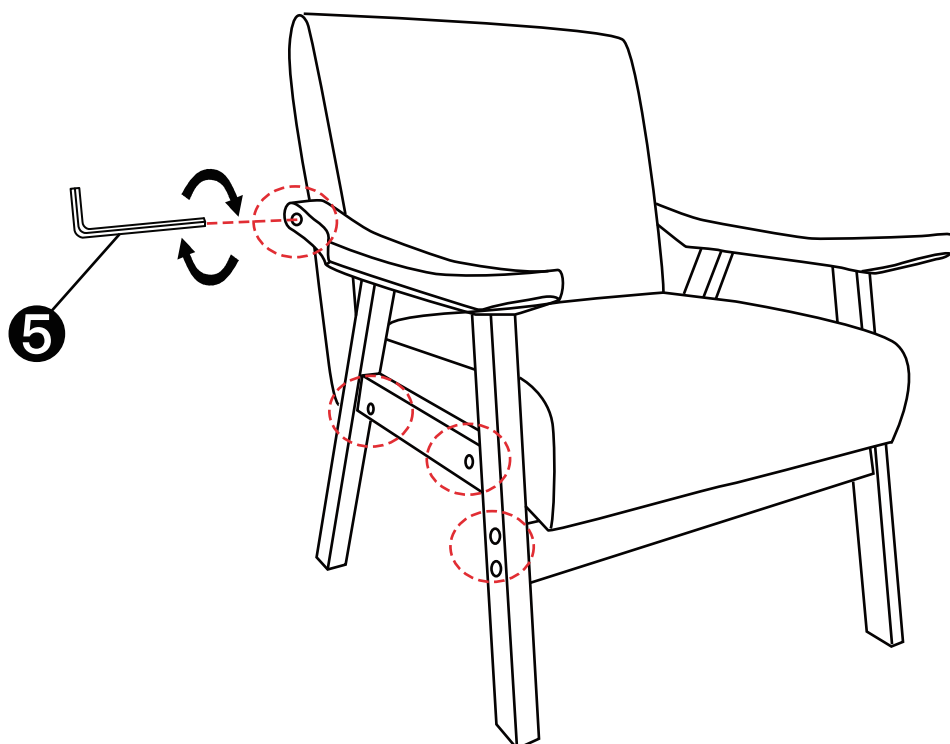


9. Stick the anti-slip stickers on the bottom of the armrests.



10. After all the screws of the sofa are installed, tighten all the screws.

11. Complete.



Dear Customer,

Thank you for choosing us.

For safe use, please read this manual before installation, and keep it for after use. Please feel free to email us if you have any concerns about our products. We'll reply within 24 hours.

The following are the things you need to pay attention to so that we can provide you with services when you encounter problems during the installation and use of the product:

- When the product is damaged due to courier problems, please contact our customer service in time for verification.
- We will rectify the issue as soon as possible;
- We give 1 year quality assurance.

We offer product explanations, installation instructions, product maintenance and maintenance methods.

If you feel satisfied with our product and service,

- Please set our store as your favorites;
- Please recommend our products to your friends;
- Please and leave us your purchase experience in our store or product page.

Feedback or reviews from you will greatly help us offer better services to players around the world.

Best regards!

Avoid using sharp objects such as a knife to cut open packing as you may accidentally damage the product.



If you have any questions about the product, please contact us through the contact information on the left. We will strive to resolve your problem within 24 hours on business days.
