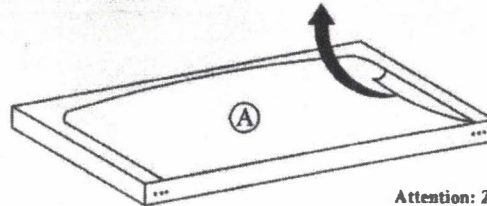


Assembly Instruction

(BOX 1) HEADBOARD/FOOTBOARD/SIDE RAIL		
NO	ITEM	QTY
A	HEADBOARD	1 PC
B	FOOTBOARD	1 PC
C	SIDE RAIL (C1) (C2)	4 PCS
D	SLAT	2 PCS
E	LEG	4 PCS
F	SIDE RAIL LEG	2 PCS

Step 1 : Unzip the black non-woven fabric on the back of headboard and take out all the parts out.

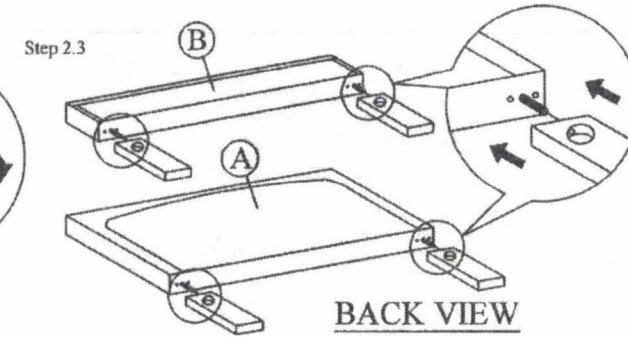
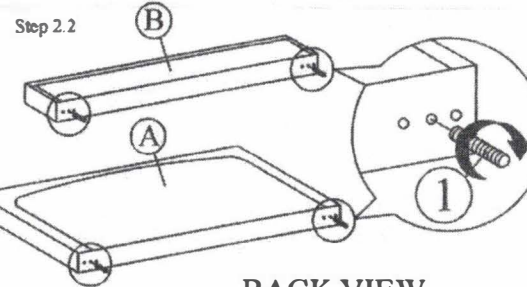
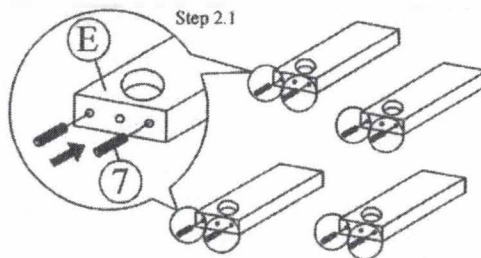


Attention: Zip the black non-woven fabric after take out the parts !!

BACK VIEW

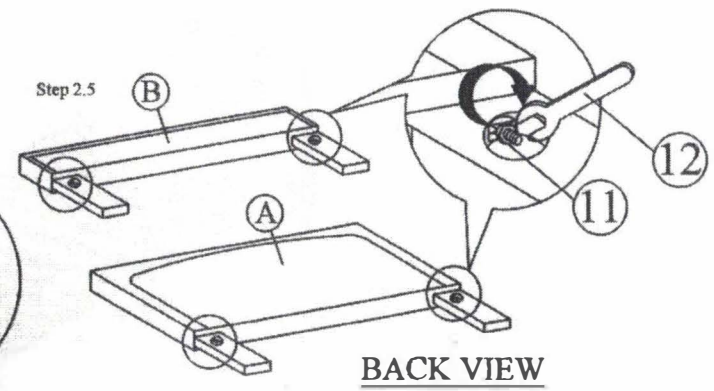
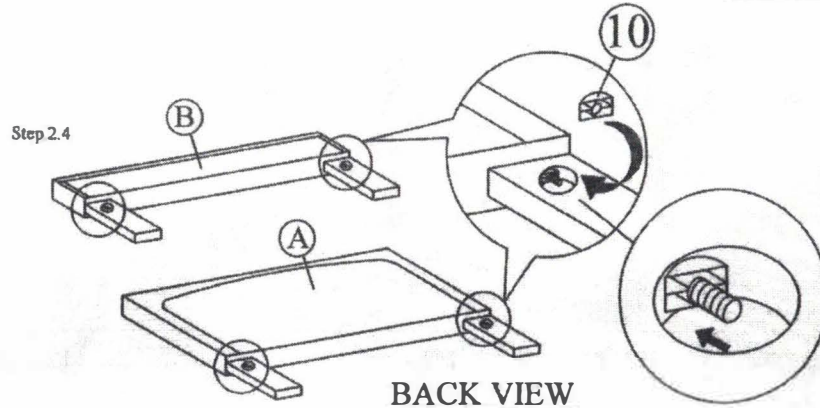
(BOX 2) SLAT/LEG LIST		
NO	ITEM	QTY
1	XCB NO HEAD	4 PCS
2	XCB M6 x 30MM	8 PCS
3	XCB M6 x 30MM	8 PCS
4	M4 x 6MM	1 PC
5	M4 x 70MM	1 PC
6	FLAT HEAD CHEVROLET SCREW M6 x 22MM	24 PCS
7	PLASTIC DOWEL	8 PCS
8	M6 FLAT WASHER	8 PCS
9	M6 SPRING WASHER	8 PCS
10	CAP NUT	4 PCS
11	NUT	4 PCS
12	SPANNER	1 PC

Step 2 : Tighten the legs (E) to the headboard (A) and footboard (B) as shown.



BACK VIEW

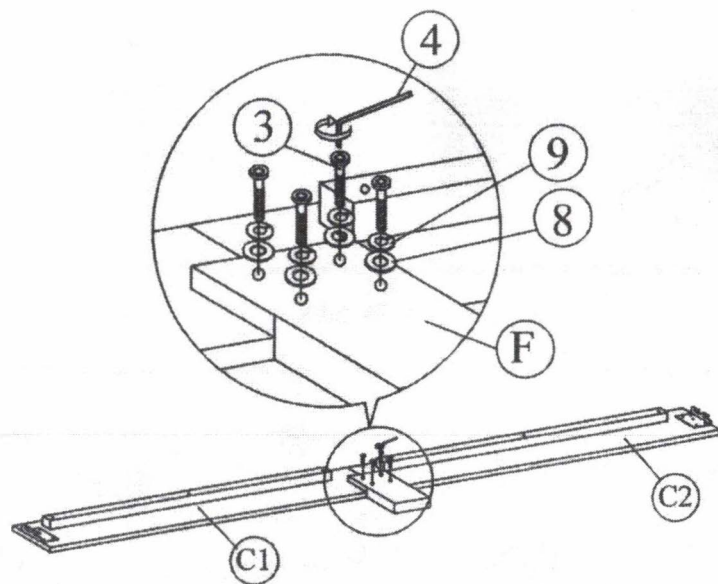
BACK VIEW



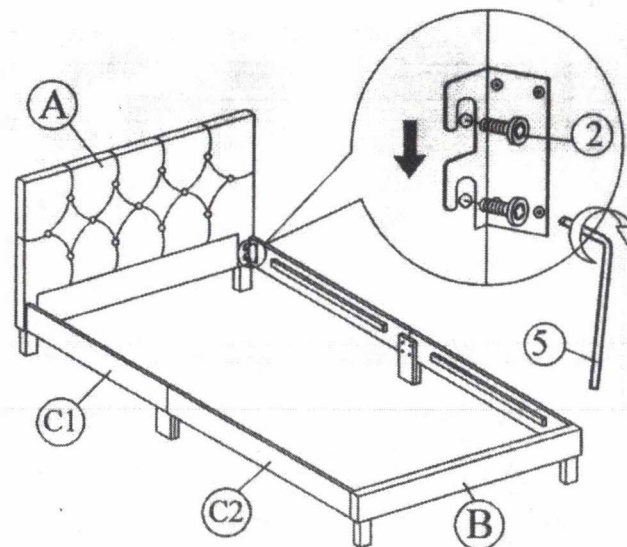
BACK VIEW

BACK VIEW

Step 3 : Attach the side rail leg (F) to the side rail (C).



Step 4 : Attach side rail (C) to headboard (A) and footboard (B) by pushing the bracket down to fit it.



Step 5 : Tighten the 4 Corner with Allen Key (5). Install the bed slats to side rail. Tighten the slats with CSK screw. The distance of the slats should be sufficient to obtain desirable bed stability.

