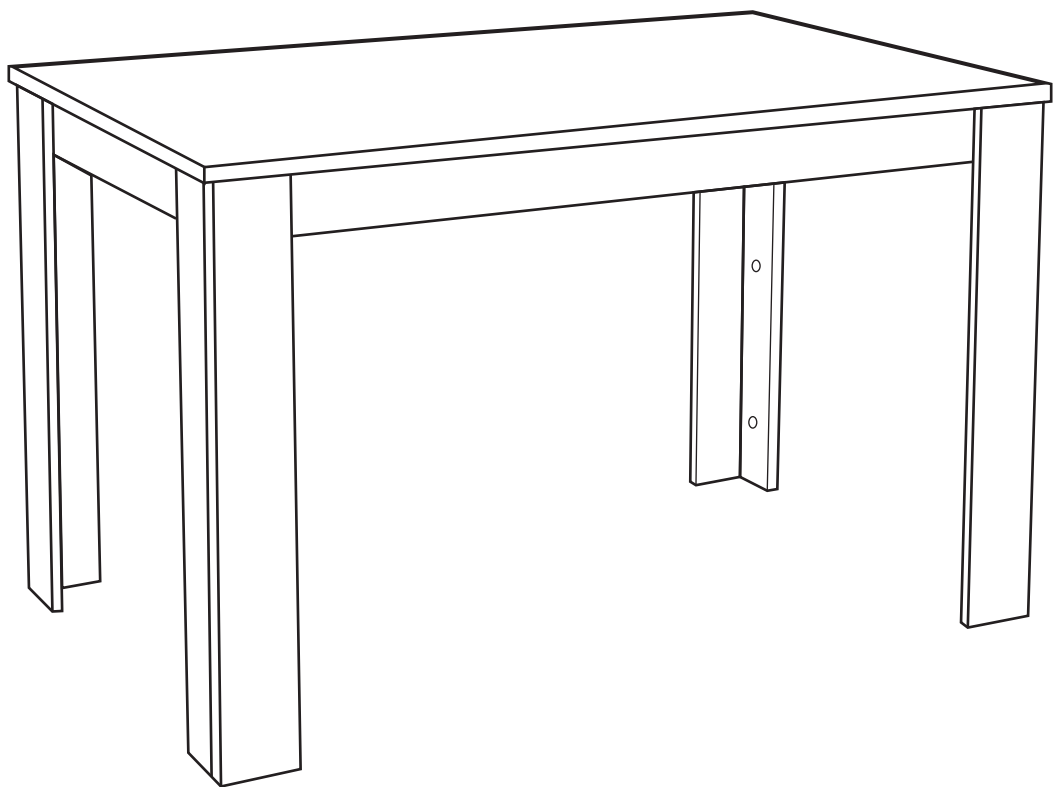


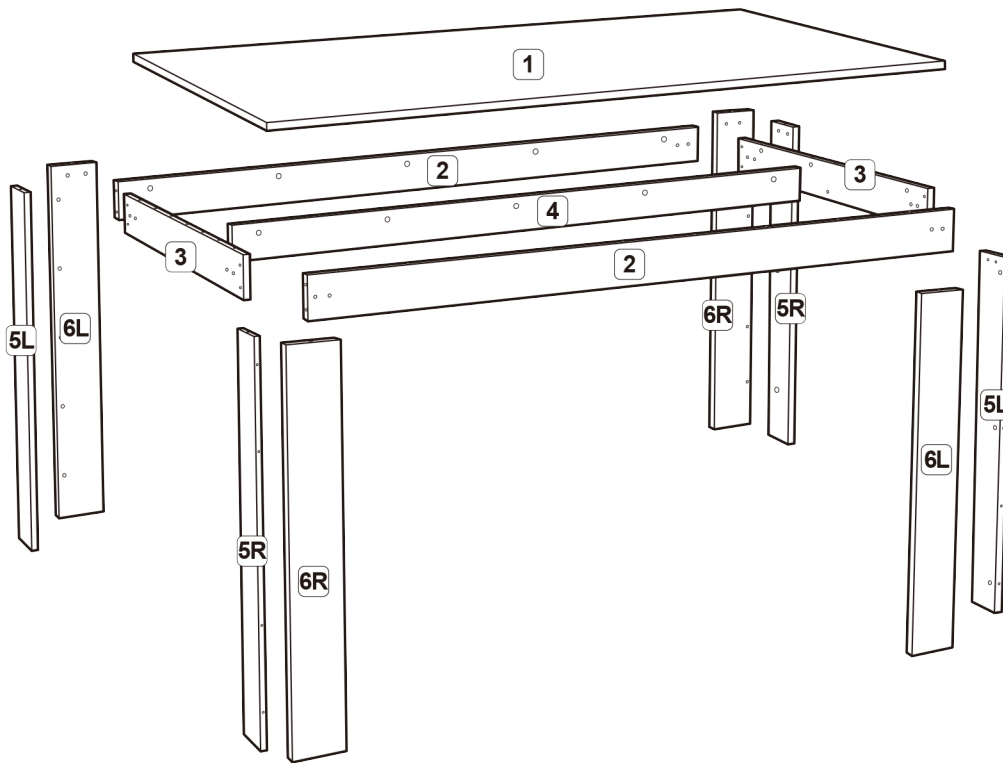
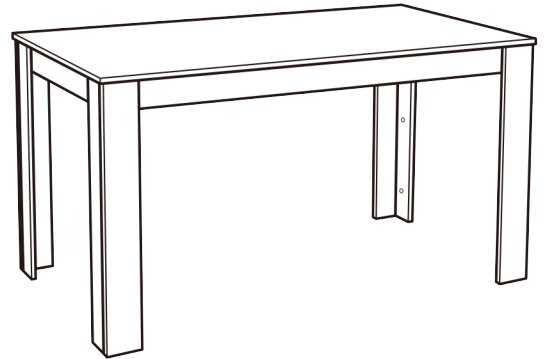
Assembly Instructions



DINING TABLE ASSEMBLY INSTRUCTIONS

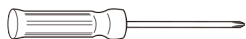
**Before
you start,
here is
some
helpful
advice**

- We suggest you spend a short time reading through this leaflet and follow the simple step-by-step assembly instructions.
- Do not discard any of the packaging until you have checked that you have all the parts and the pack of fittings.
- Assemble this product on a flat surface.
- Assemble all parts loosely before tightening any bolts.
- Discard all extra fittings and keep fittings out of reach of children.
- This unit can be assembled by 1 person.
- Approximate time of assembly: 30 minutes.
- To clean, wipe clean with a soft dry cloth.
- Periodically check and ensure that all bolts are tightened.
- Retain Assembly Instructions for future reference.

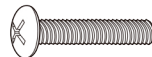
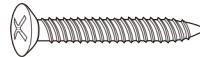



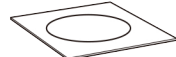


PARTS LIST	CODE	DESCRIPTION	QTY.
	1	TABLE TOP	1
	2	LONG SIDE PANEL	2
	3	SHORT SIDE PANEL	2
	4	MIDDLE PANEL	1
	5L	LEFT NARROW LEG	2
	5R	RIGHT NARROW LEG	2
	6L	LEFT WIDE LEG	2
	6R	RIGHT WIDE LEG	2

Additional tools required:

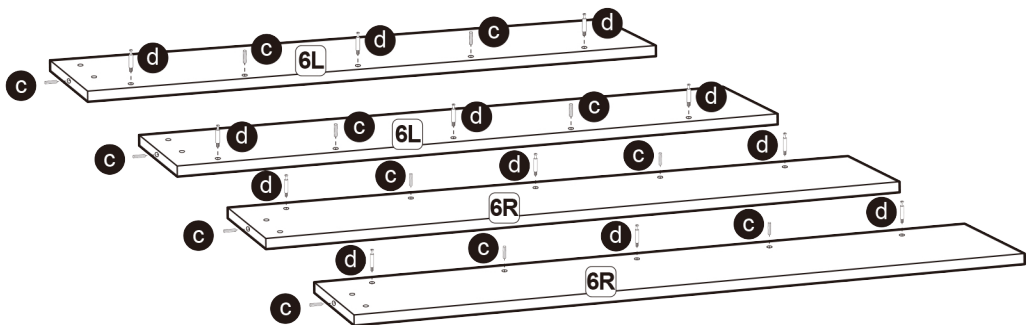
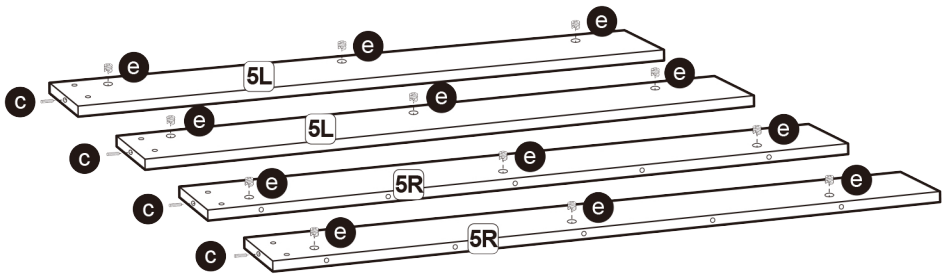
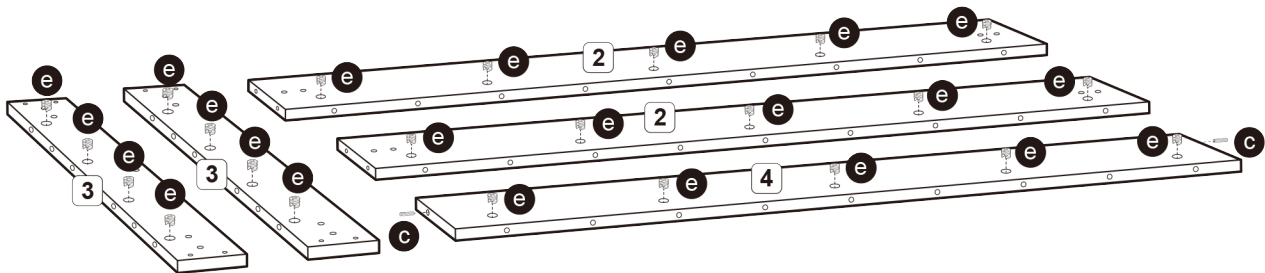
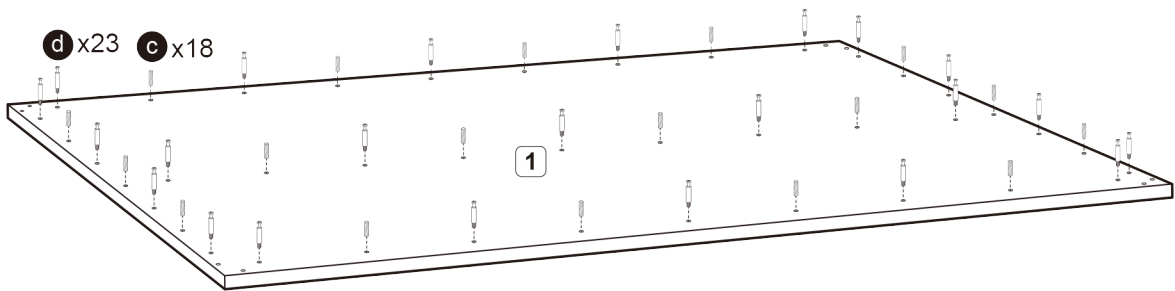
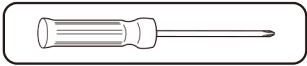
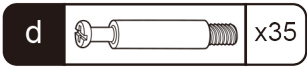
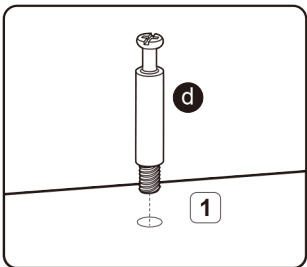
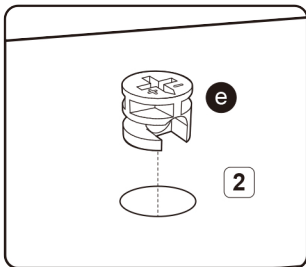
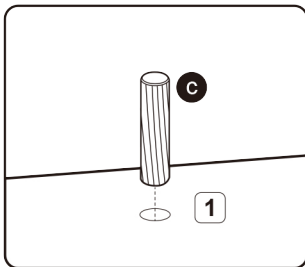


Crosshead Screwdriver

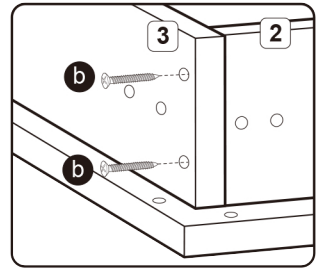
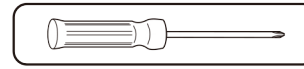
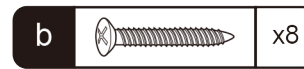
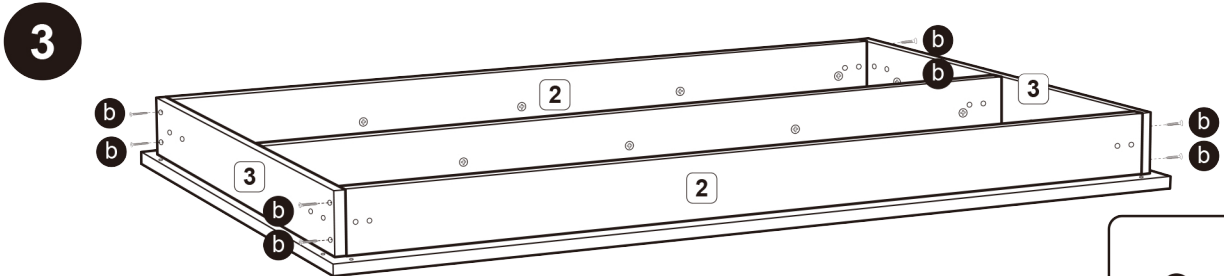
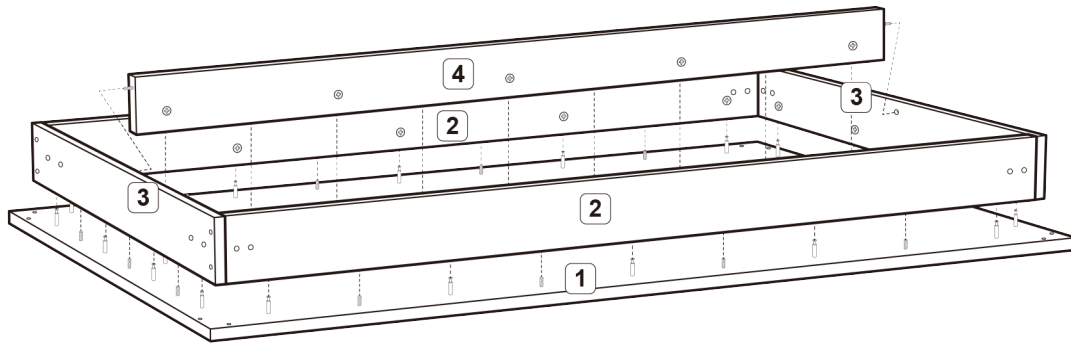
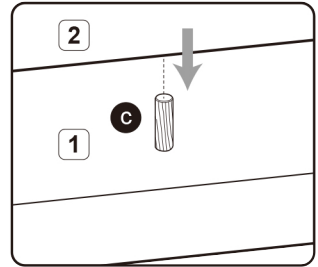
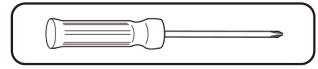
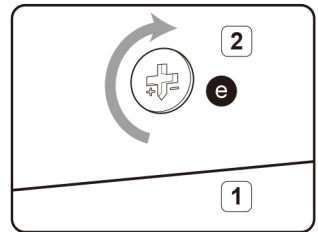
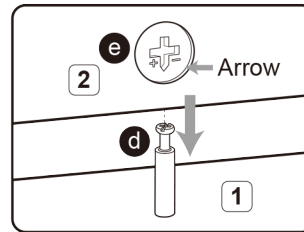
FITTINGS LIST	CODE	DESCRIPTION	QTY.
	a	 BOLT 25mm	16
	b	 SCREW	8
	c	 DOWEL	36
	d	 CAM BOLT	35
	e	 CAM LOCK	35
	f	 ADHESIVE PAD	12

1

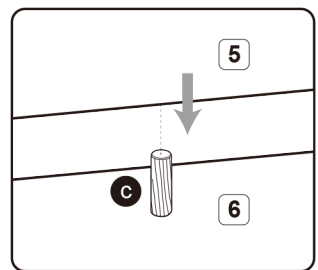
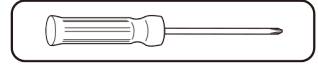
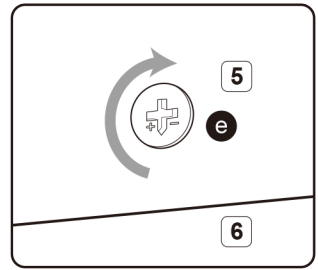
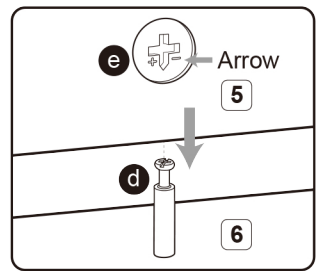
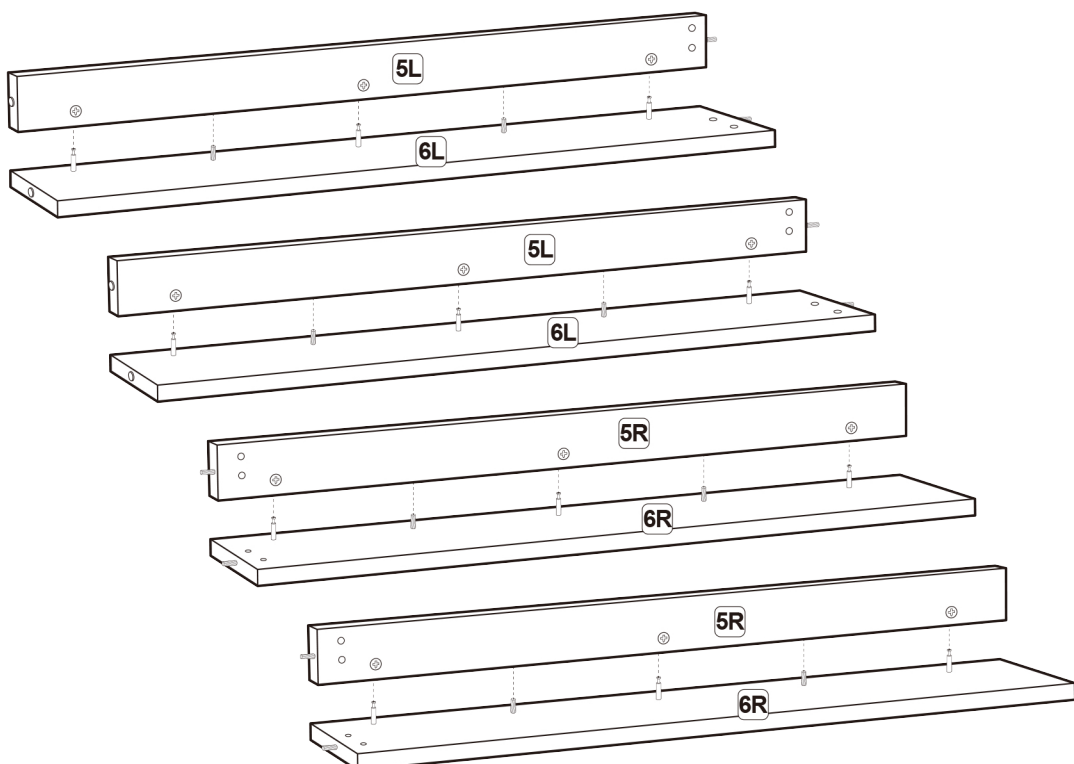
NOTE:
Lay all parts on a soft protected surface as shown.



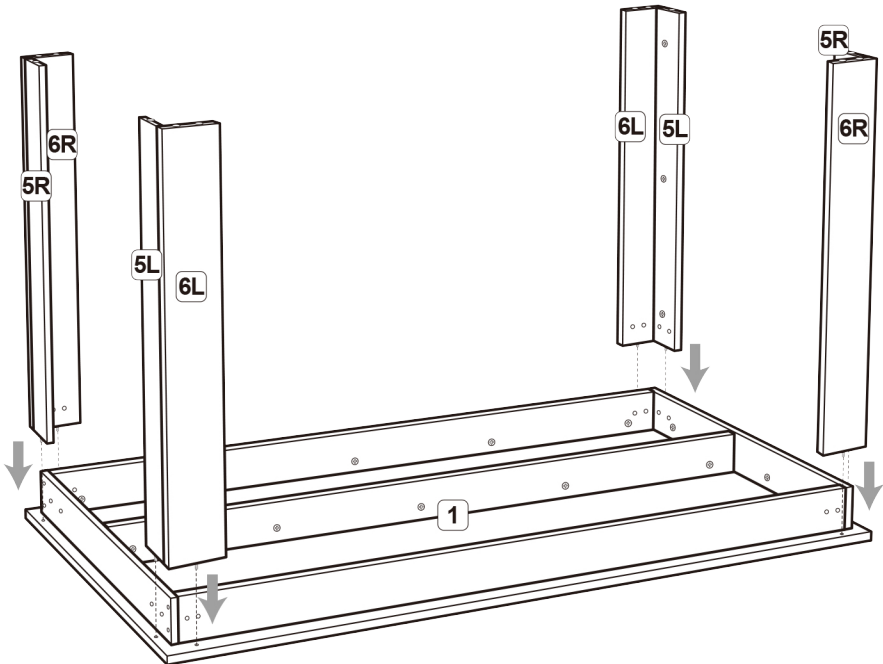
2 **NOTE:**
The arrow on cam lock **e** must point towards the cam stud **d**. Insert the cam lock into cam stud then lock using a crosshead screwdriver.



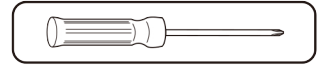
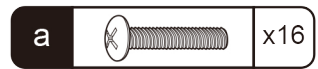
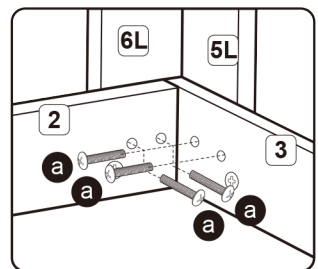
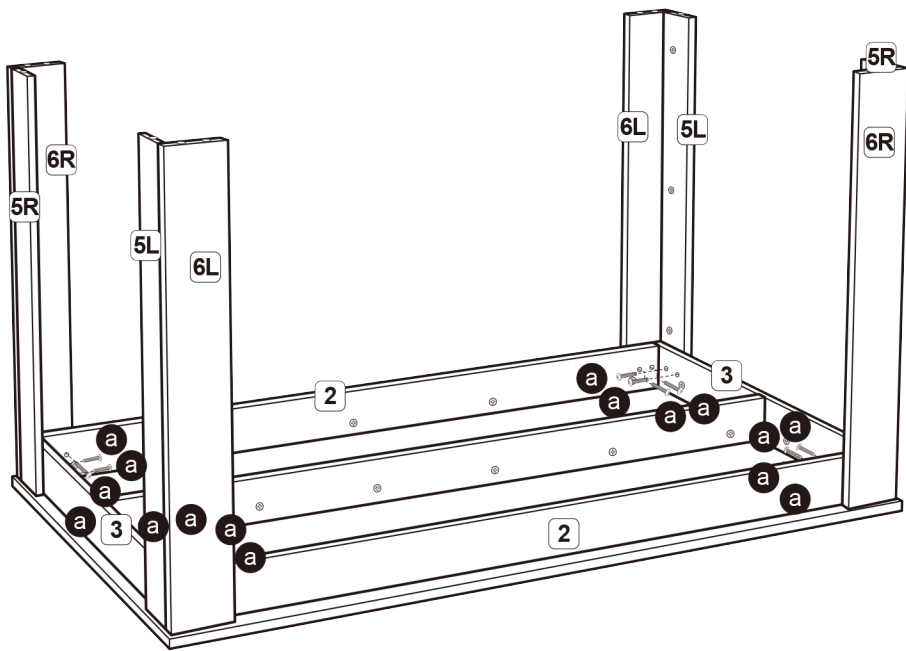
4 **NOTE:**
The arrow on cam lock **e** must point towards the cam stud **d**. Insert the cam lock into cam stud then lock using a crosshead screwdriver.



5



6



7

