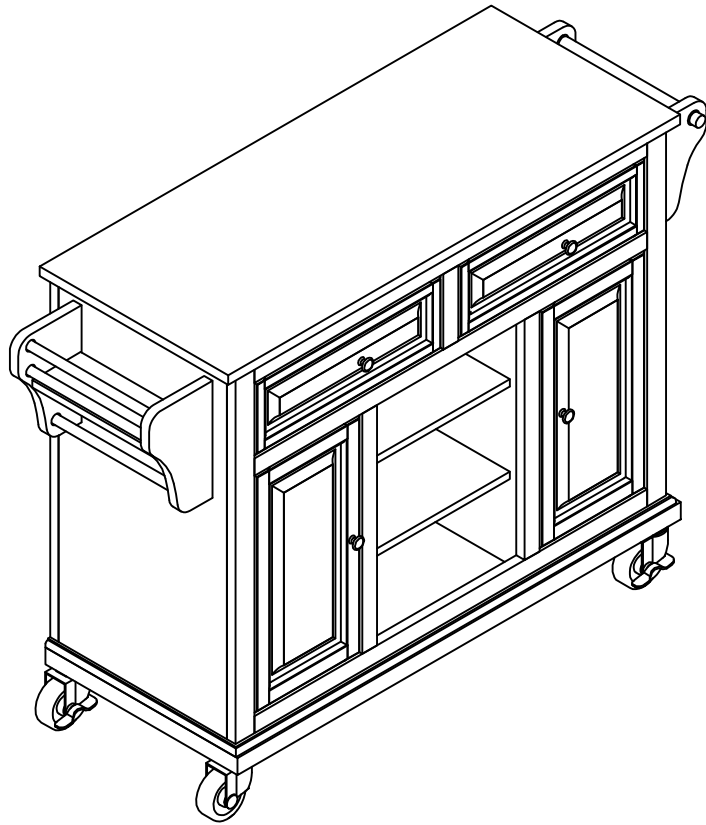
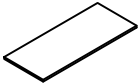
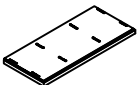


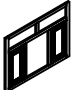
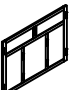
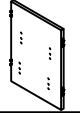

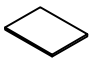
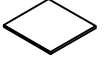
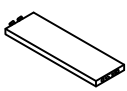



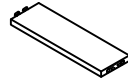


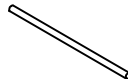
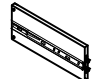
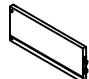
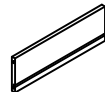
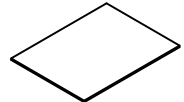
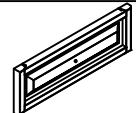


Kitchen Cart Cabinet


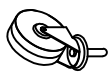




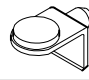

PART LIST :

ITEM	FIGURE	DESCRIPTION	QTY
1		Top Panel	1PC
2		Bottom panel	1PC
3		Left Side Panel	1PC
4		Right Side Panel	1PC
5		Front Frame	1PC
6		Back Frame	1PC
7		L/R Bottom Partition Panel	2PCS
8		Top Partition Panel	1PC
9		L/R Shelf Panel	2PCS
10		Center Shelf	2PCS
11		Right Side shelf rail	1PC
12		Towel Rack Support Left Side Panel	1PC

ITEM	FIGURE	DESCRIPTION	QTY
13		Towel Rack Support Right Side Panel	1PC
14		Towel Rod	1PC
15		Left Side shelf rail	1PC
16		Spice Rack Left Side Panel	1PC
17		Spice Rack Right Side Panel	1PC
18		Spice Rack Bar	3PCS
19		Drawer Left Side Panel	2PCS
20		Drawer Right Side Panel	2PCS
21		Drawer Back Panel	2PCS
22		Drawer Bottom Panel	2PCS
23		Drawer Front Panel	2PCS

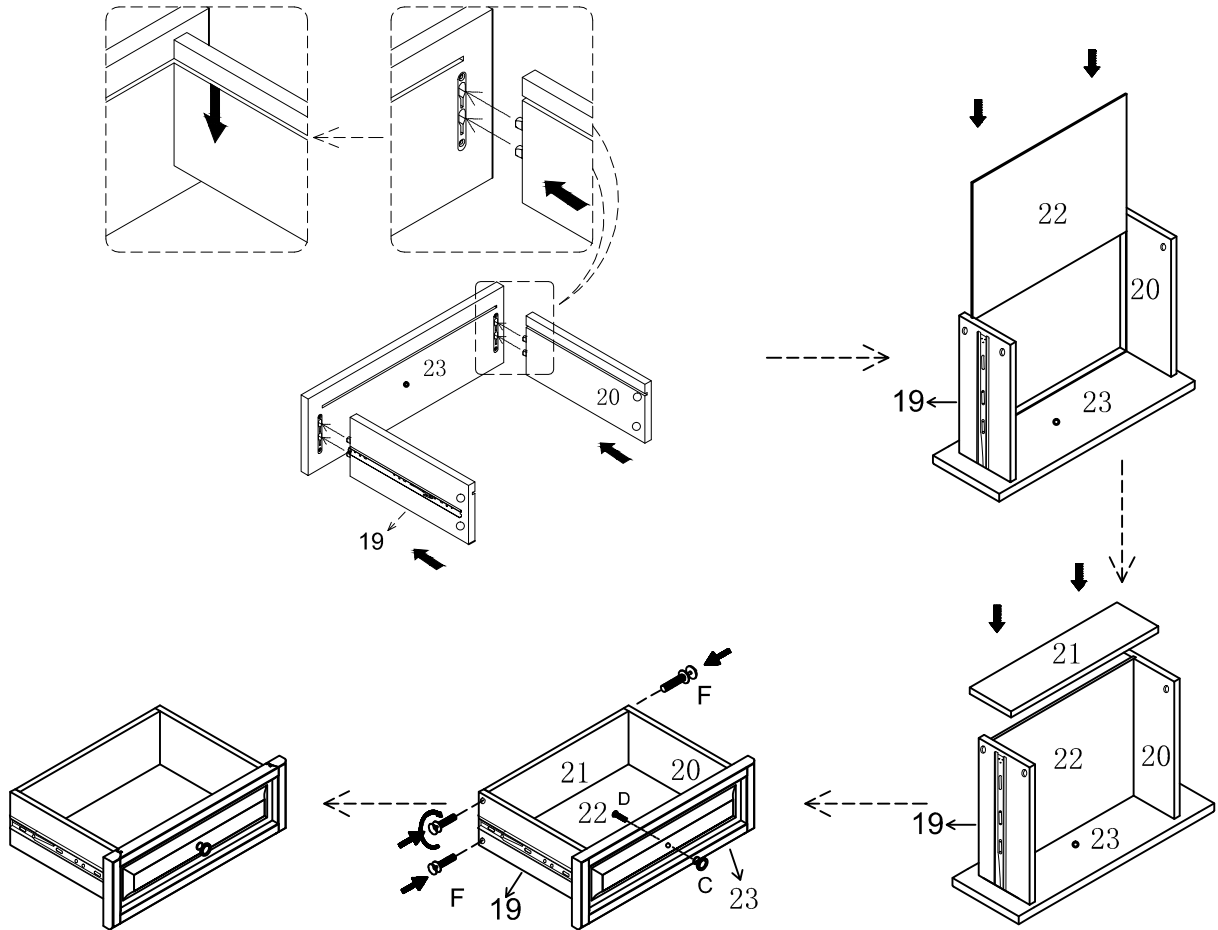
HARDWARE LIST:

ITEM	FIGURE	DESCRIPTION	QTY
A		Castor with Brake 3"	2PCS
B		Castor without Brake 3"	2PCS
C		Knob L31*25mm	4PCS

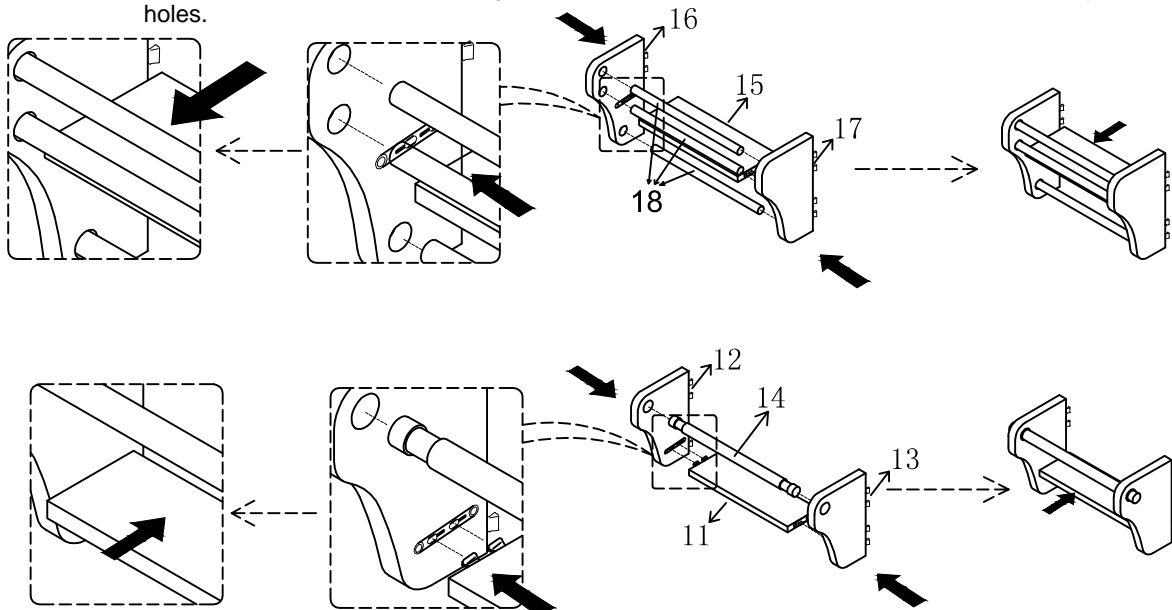
ITEM	FIGURE	DESCRIPTION	QTY
D		Screw vis Ø5/32**19mm	4PCS
E		Shelf Support Ø6.5mm	16PCS
F		Plunger Bolt Ø1/2**41mm	8PCS

Step 1.

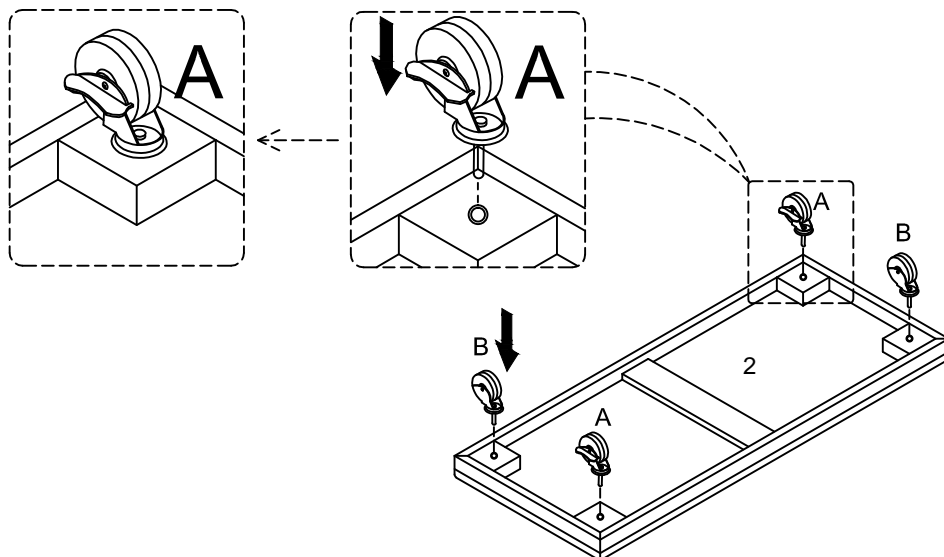
Insert Left & Right Drawer Side Panels (Parts 19&20) into Drawer Front Panel (Part 23) and apply downward pressure to secure them into place. Make sure the drawer glides are facing outward and the grooves in the side panels and drawer front are aligned. Insert Drawer Bottom Panel (Part 22) into the grooves and slide into place. Make sure that the bottom panel inserts completely to the bottom of the groove in the drawer front. Lower the Draw Back Panel (Part 21) into place making sure that the bottom panel fits into the groove of the back panel and the side holes are aligned. Pull the plunger out slightly from the Plunger Bolt (Part F). Insert the bolts into the holes in the side panels and turn clockwise to tighten completely. The plunger on the bolt may be pressed down or removed after the bolt is completely tightened. Repeat these steps for the second drawer.



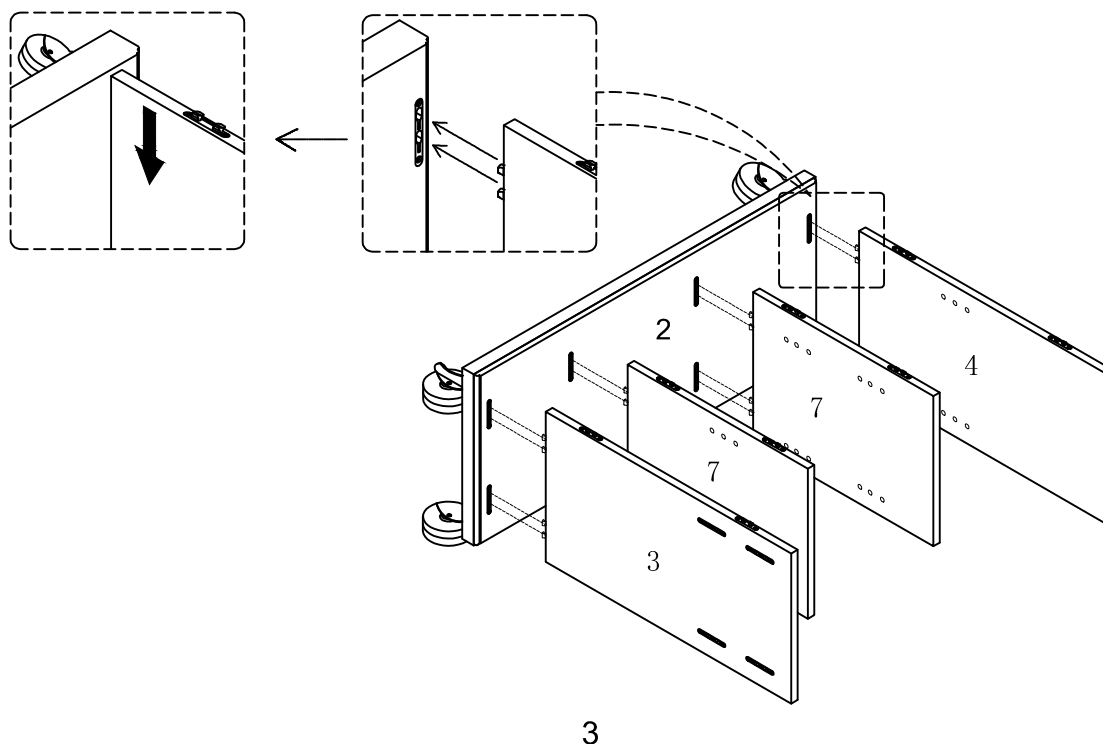
Step 2. Insert the Left Side Shelf Rail (Part 15) into Spice Rack Left Side Panel and apply pressure to secure it into place. Insert the Spice Rack Bars (Part 18) into the holes of the Left Side Panel (Part 16). Now insert the bars into the holes of the Right Side Panel (Part 17) while at the same time inserting the Shelf Rail (Part 15) hardware into the Right Side Panel and apply pressure to secure it into place to complete the assembly of the spice rack. Now insert the Shelf Rail (Part 11) into the Towel Rack Left Side Panel (Part 12) and apply pressure to secure it into place. Repeat this step for the Right Side Panel (Part 13). Add the Towel Rod (Part 14) by inserting it through the holes.



Step 3. On a soft surface turn Bottom Panel (Part 2) over with the holes for the Castors facing up. Insert Castor with Brake (Part A) into one of the holes in the blocks. Press firmly until the castor locks into place. Repeat this step for the other Castor with Brake (Part A) on the opposite corner. Now add Castors without Brake (Part B) to the remaining holes in the corners of the bottom panel. Give a little tug on each of the castors to make sure that they are locked into position. If they are easily removed, then they did not lock and you should reinsert and use enough downward pressure to get them to completely insert and lock into place. You should hear or feel a click or pop when they lock into place.

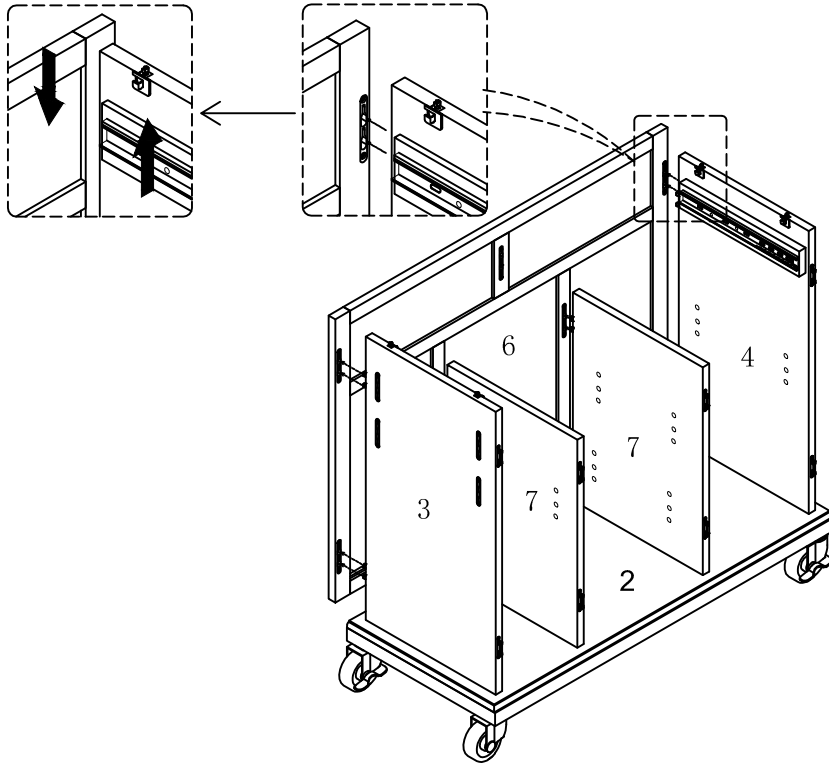


Step 4. On a soft surface, turn the Bottom Panel (Part 2) on it's side with the front of the base facing up. Making sure that the pre-drilled holes for shelf supports are facing in, and slots for the towel and spice racks are facing out, insert the Left & Right Side Panels (Parts 3&4) into the Bottom Panel (Part 2). Apply downward pressure to secure them into place. The L/R Partition Panels have 12 holes for shelf supports on one side and 6 on the other. The sides with 12 holes should be facing in. Insert L/R Partition Panels (Part 7) into Bottom Panel (Part 2) and apply downward pressure to secure them into place.



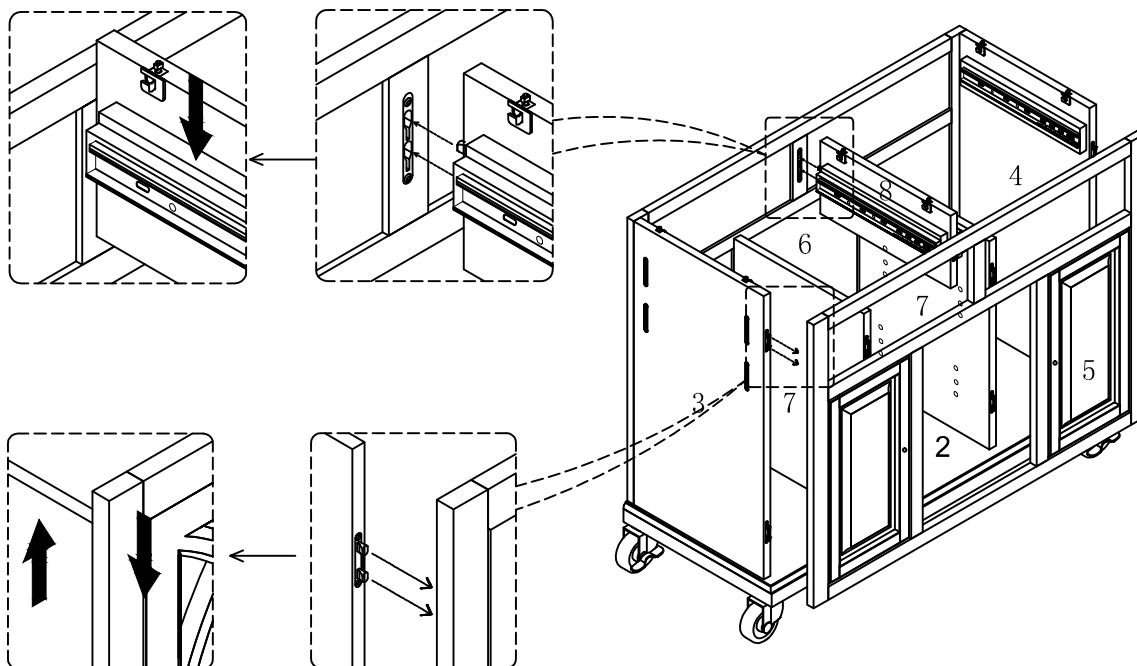
Step 5.

Turn the base upright with the casters on the floor. Insert the hardware from Side Panels (Parts 3&4) and Partition Panels (Parts 7) into the Back Frame (Part 6) to secure it into place. Make sure that the wood dowels in the back frame are aligned with the pre-drilled holes of the base (Part 2) before securing the back frame into place. The top edge of the back frame should be flush with the top edge of the side panels when secured into place.

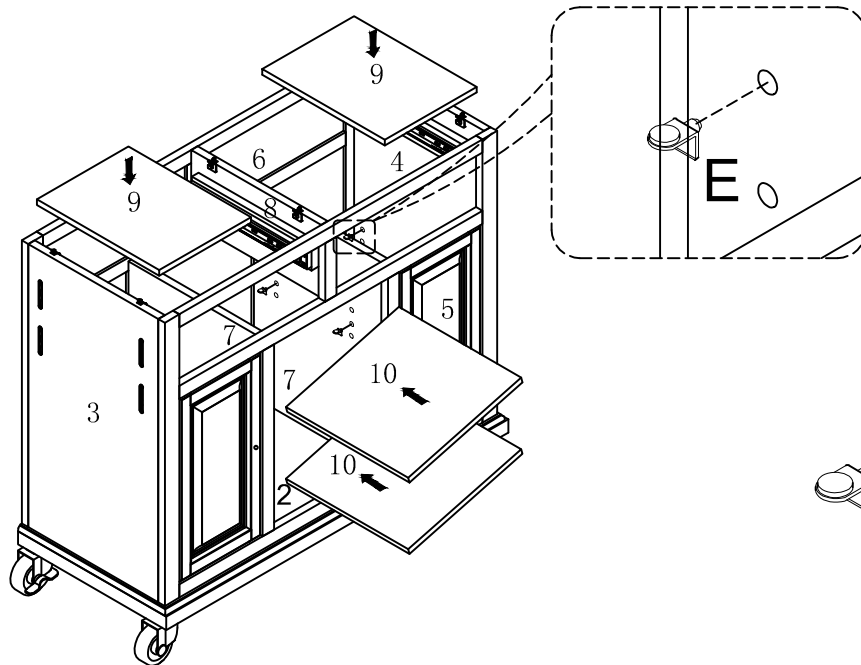



Step 6.

For best results, two people are required for this step. With flip switches facing up, insert the Top Partition Panel (Part 8) into the Back Frame (Part 6) while at the same time inserting into the center of the Front Frame (Part 5). DO NOT lock the Top Partition Panel (Part 8) into position yet. It will hang in place while you attach the Front Frame (Part 5). Insert the hardware from Side Panels (Parts 3&4) and Bottom Partition Panels (Part 7) into the Front Frame (Part 5). Apply downward pressure on front frame to secure it into place. Now pull up on the Top Partition Panel (Part 8) to secure it into place. The top edges of the side and partition panels should be flush with the top edges of the front frame.

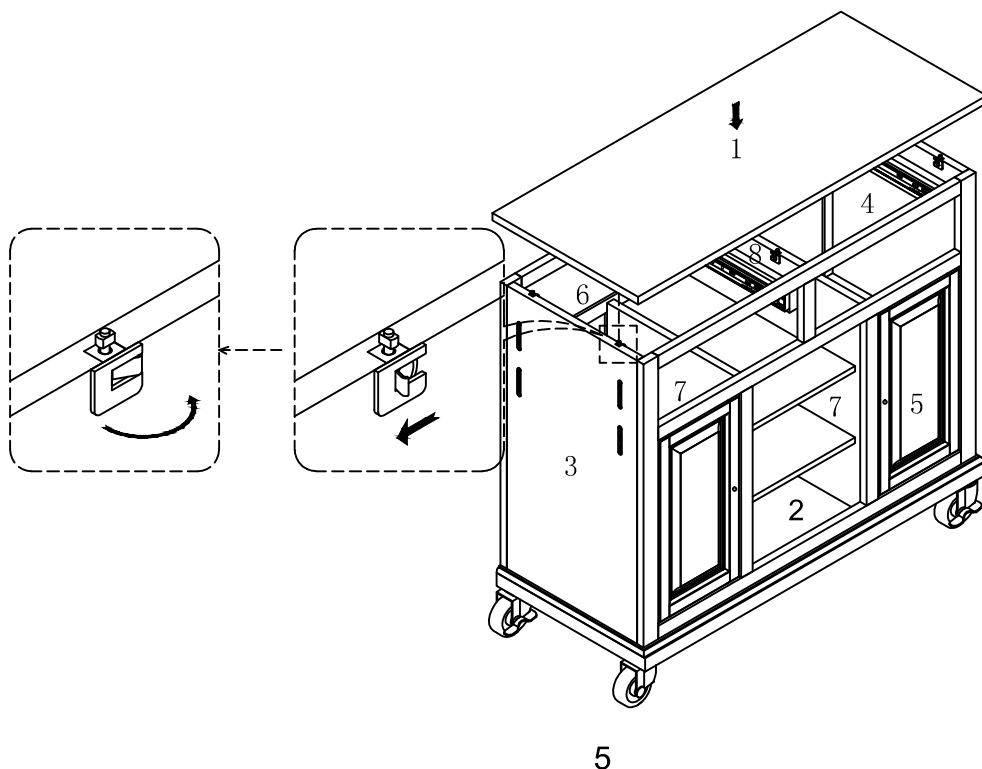


Step 7. Insert the Shelf Supports (Part E) into the desired positions in the cabinet. Insert the Center Shelves (Parts 10) and L/R Shelves (Parts 9) into the cabinet.



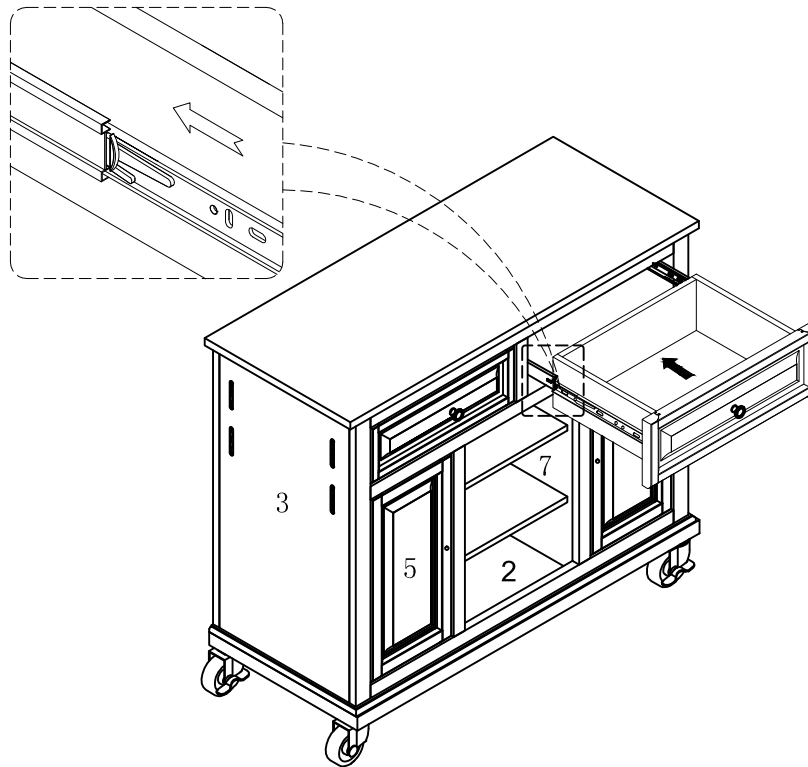
 16PCS

Step 8. For best results, two people are required for this step. Make sure that the flip switches are in the open position indicated by the straight arrow in the diagram below. Align the hardware in the top panel with the flip switches in the cabinet and lower it into place. Making sure that the hardware is completely inserted to all of the holes in the top panel, lock the flip switches to secure the top into place. This is indicated by the curved arrow in the diagram below.
***NOTE: The top panel (Part 1) for this cabinet ships in a separate carton from the cabinet.

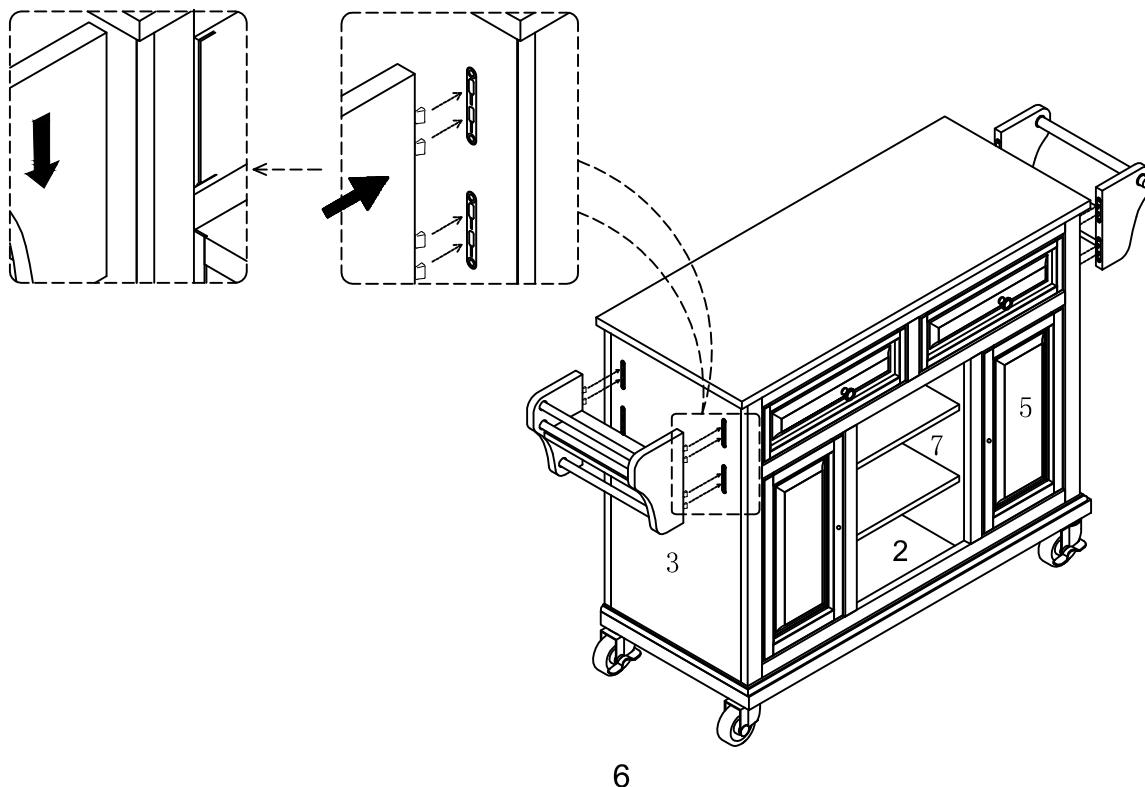


Align the glides on the assembled drawers with the glides on the side and partition panels. Press forward to join the glides together. Press the drawers forward then pull back to ensure a smooth glide.

Step 9.



Step 10. Insert the assembled spice rack into the left side panel of the cart and apply downward pressure to secure it into place. Repeat this step on the right side of the cabinet for the Towel Rack.



Step 11. Insert the Screw (Part D) into the pre-drilled hole in the door from the back side. Align the hole in the Knob (Part C) with the screw and tighten with a phillips head screwdriver.

