

LUXURY BATHROOM BRANDS

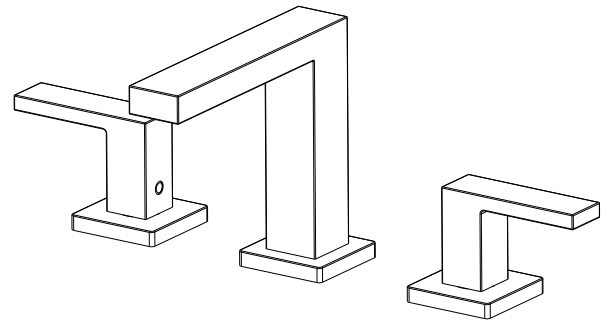
110106 Series Bathroom Faucet

Make Your Life More Beautiful

TWO HANDLES WIDESPREAD 4 INCH 8 INCH BRASS BATHROOM SINK FAUCET WITH POP UP DRAIN

For easy installation of your Indare faucet you will need:

- .To READ ALL the instructions completely before beginning.
- .To READ ALL warnings, care, and maintenance information.
- .To purchase the correct water supply hook-up.



110106-▼

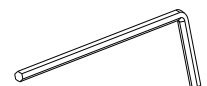
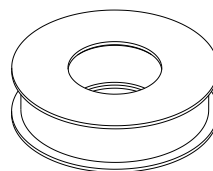
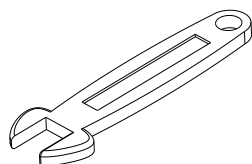
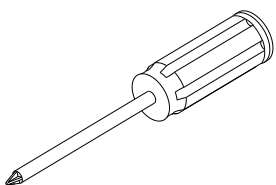
Use water for product cleaning!!!

- ⚠ Avoid abrasive cleaners, steel wool and harsh chemicals that will take the shine off the surface.

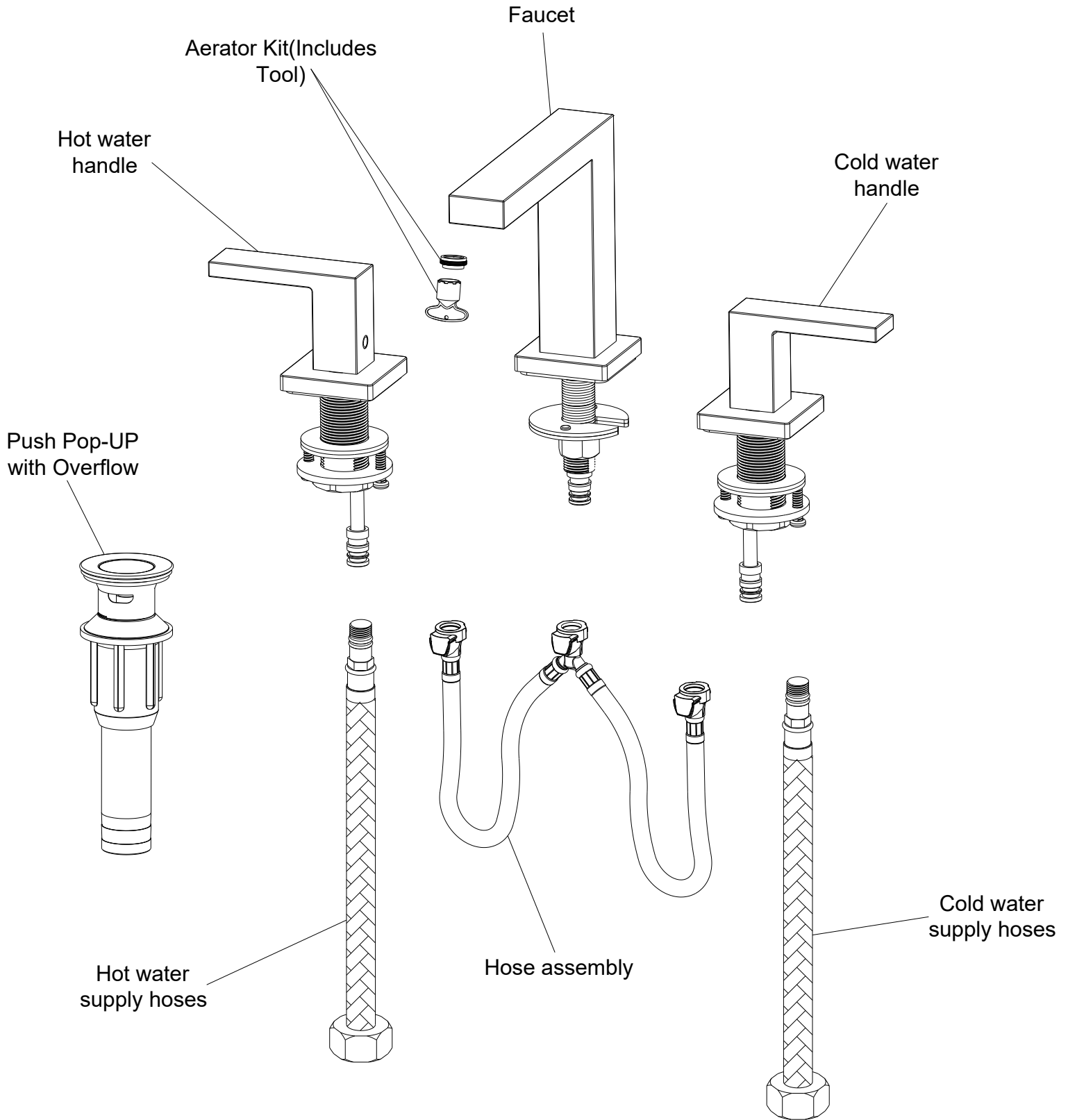
- ⚠ Handle the faucet and its components with care to avoid damage. Do not drop or mishandle the faucet, as it may result in cracks or leaks

- ⚠ Failure to read these instructions prior to installation may result in personal injury or property damage. Manufacturer assumes no responsibility for product failure due to improper installation.

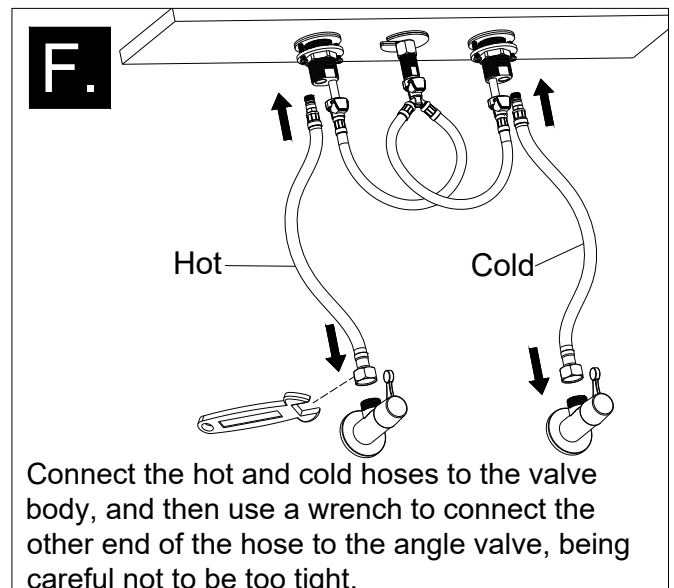
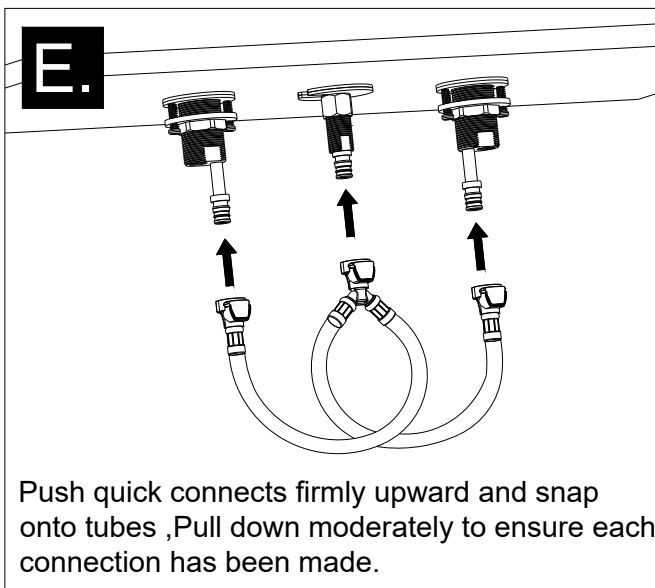
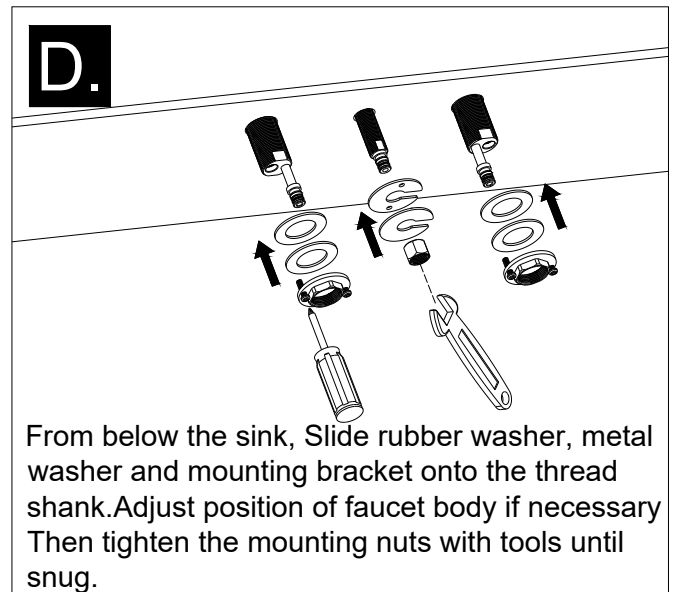
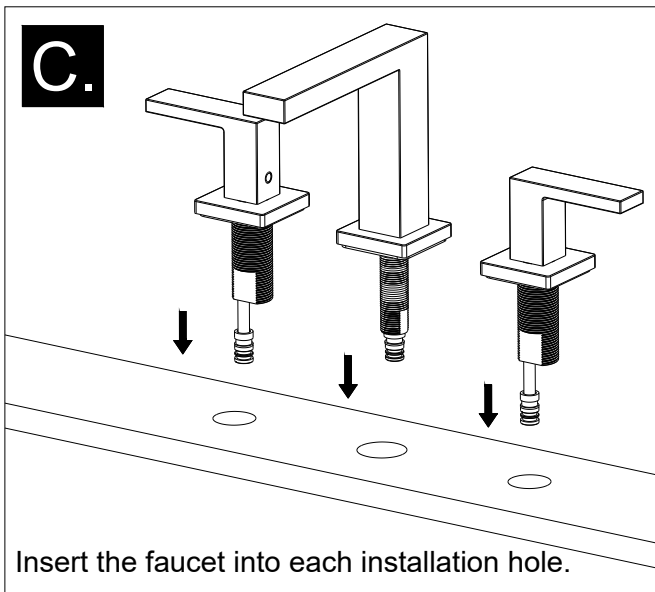
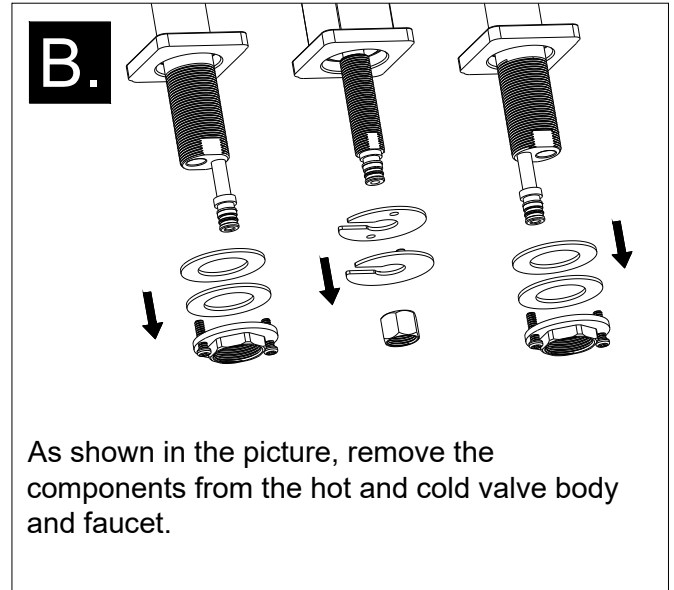
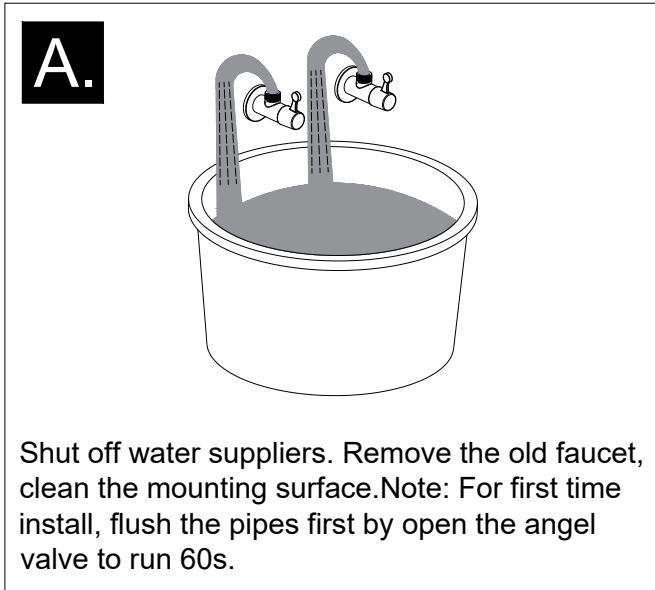
To safely install and replace the faucet, you may need these tools



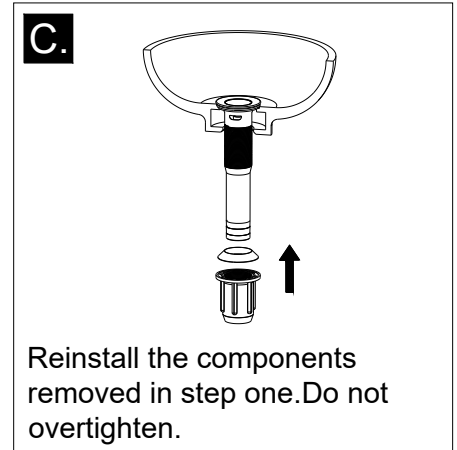
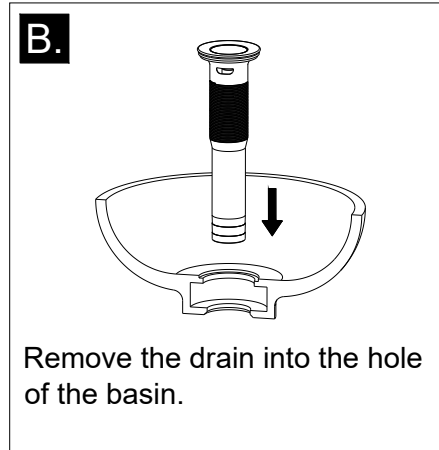
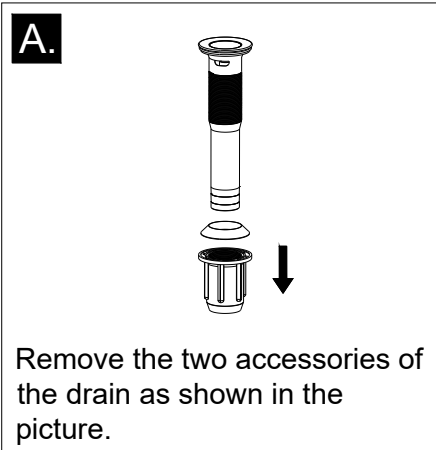
Part Drawing



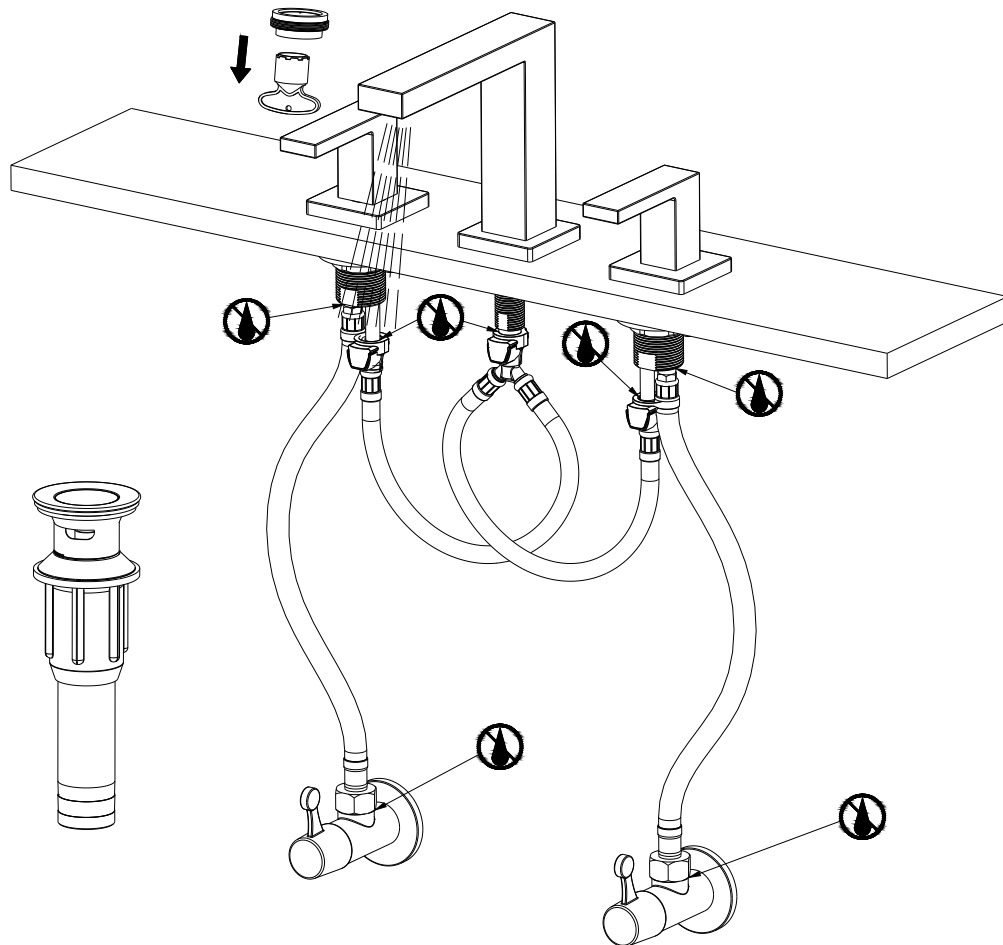
Faucet Installation



Pop-up Installation

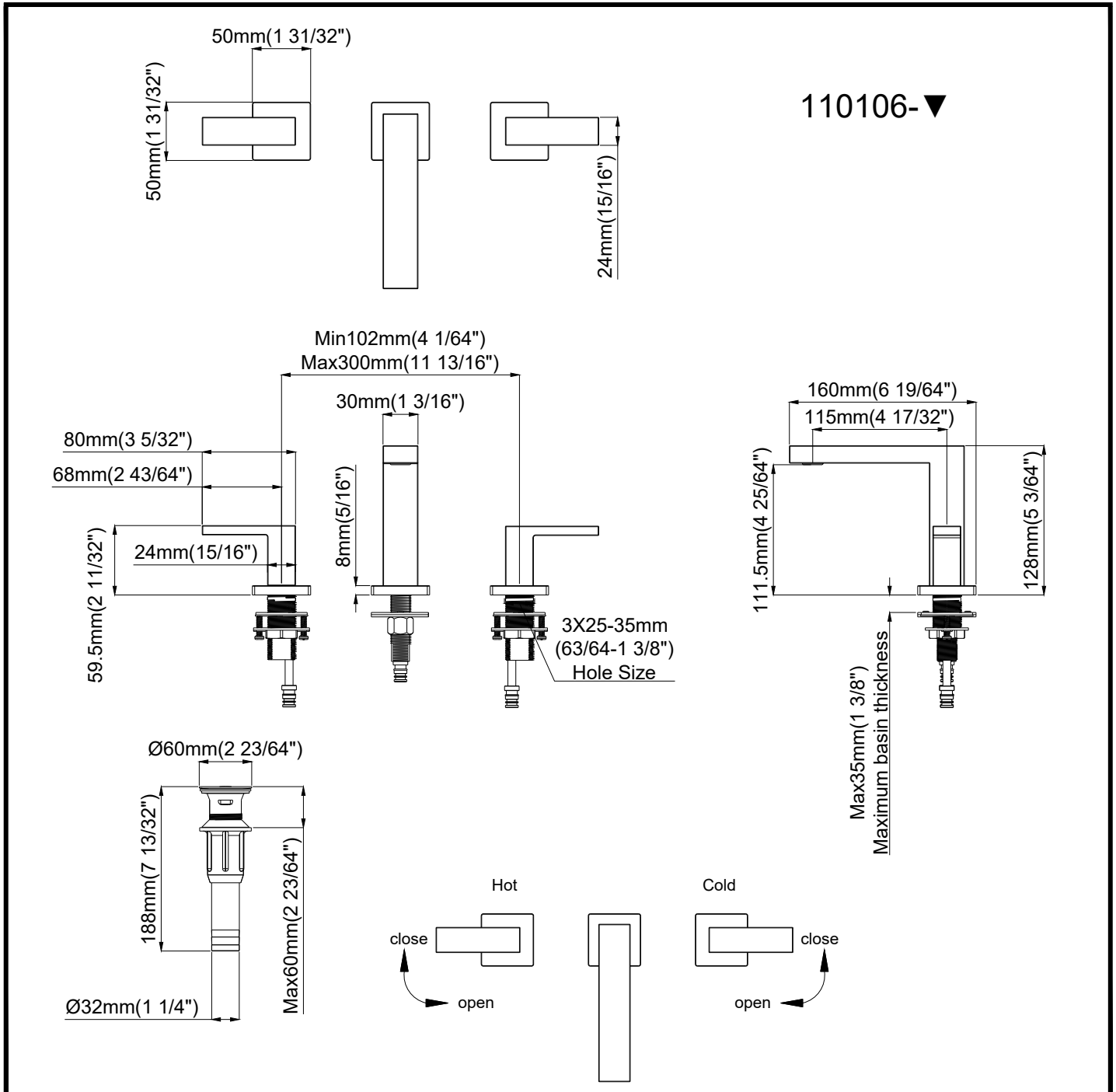


Testing



After the installation is complete, take out the bubbler. Turn on hot and cold water supplies and flush water lines into a container for one minute. Important: This flushes away any debris that could cause damage to internal parts. If there is any water leakage, please re-tighten it, but do not over-tighten.

Dimensional Drawing



Technical Information

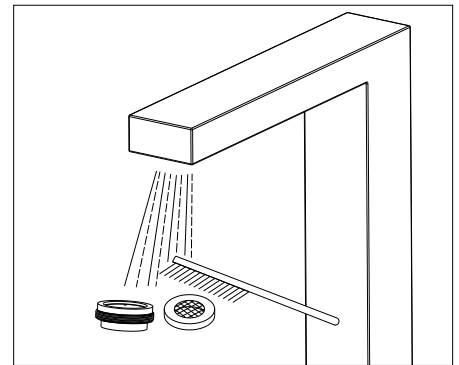
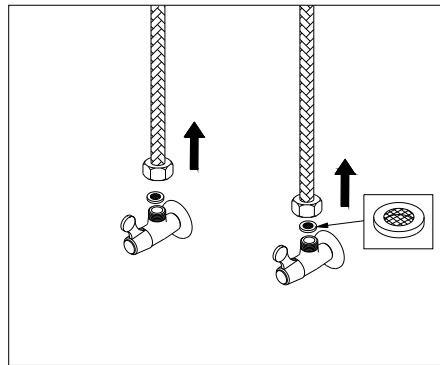
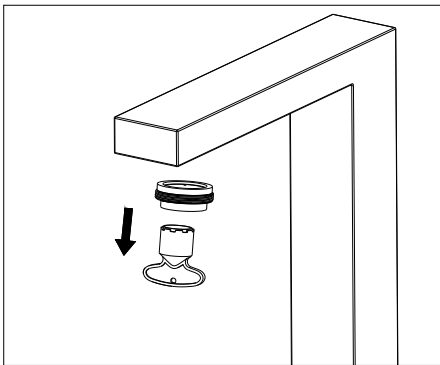
- Max. flow rate 1.1 gal @ 60psi , 4.2 l/min @ 4.1bar
- Three hole mount
- Hot and cold stems are interchangeable
- Solid brass end valves
- Individually controlling hot and cold
- 1/4 turn handle stops
- Drain with overflow
- Lead-free brass
- Deck installation
- Widespread For 4" - 11" centers

Trouble shooting

If you've followed the instructions carefully and your faucet still does not work properly, take these corrective steps.

Problem	Cause	Action
Low flow	Aerator or filter may be clogged	Unscrew aerator to check rubber packing or replace aerator.
Faucet leaks from under handle	Bonnet nut has come loose or cartridge needs to be reseated	Remove handle and cap. Using a wrench, ensure bonnet nut is tight.
Water will not shut off completely.	Dirty or worn out plastic washer in the cartridge.	Adjust or replace cartridge. WARNING: Failure to securely tighten bonnet nut with a wrench could result in water damage.

Clean aerator and filter



Clean and care

Clean the faucet often with a soft cloth to keep it looking like new, For heavy cleaning you can use mild liquid detergents or non-abrasive liquid polisher, Rinse with water and dry with a soft cloth, Avoid abrasive cleaners, steel wool and harsh chemicals as these will dull the finish and void your warranty.

Limited Warranty

Indare provides its customers with an extensive warranty as a result of our excellent workmanship and high quality components used in our products.

Mechanical warranty: A limited warranty is provided on all mechanical parts to be free from manufacturing defects in materials and workmanship under normal use for as long as the original purchaser owns their home.

Finish warranty: A 2-year warranty is provided on all indare faucet finishes to the original purchaser against manufacturing defects in materials and workmanship.

At its sole discretion, indare will repair or replace any part or finish that proves to be defective in material and/or workmanship under normal installation, use and service.

This warranty is extended to the original consumer owner, but does not cover installation or any other labor charges. In no event shall indare be liable for any incidental, consequential or special damages, installation cost, labor, travel time, freight costs incurred, lost profits, or contingent liabilities. Indare makes no representation that its products comply with any or all local building or plumbing codes. It is the consumer's responsibility to determine local code compliance.

Manufacturer ' s Information

Origin : China

Email : indare_service@outlook.com

