

Pneumatic Wall Mounted Keyboard Tray

MOUNT-KB35C

Assembly Manual



Better Products for a Better Workspace Experience

We are dedicated to creating high-end ergonomic solutions
for the office with top of the industry support.

Explore Endless Workspace Solutions

www.vivo-us.com



WARNING



If you do not understand these directions, or if you have any doubts about the safety of the installation, please contact our product support team at 309-278-5303 or help@vivo-us.com for further assistance. Check carefully to make sure there are no missing or defective parts. Failure to report missing parts within 30 days may result in denial of free replacement. Improper installation may cause damage or serious injury. Do not use this product for any purpose that is not explicitly specified in this manual. Do not exceed weight capacity. We cannot be liable for damage or injury caused by improper mounting, incorrect assembly or inappropriate use.



WARNING: CHOKING HAZARD

SMALL PARTS - NOT FOR CHILDREN UNDER 3 YEARS. ADULT SUPERVISION IS REQUIRED.



WARNING: PINCH POINT

DO NOT PLACE HANDS ON OR NEAR SUPPORT BARS. MOVING PARTS CAN CRUSH AND CUT. FAILURE TO FOLLOW THESE INSTRUCTIONS MAY RESULT IN SERIOUS PERSONAL INJURY.



DO NOT EXCEED WEIGHT CAPACITY

NEVER PLACE EXCESSIVE FORCE ON THE TRAY OR EXCEED THE STATED WEIGHT CAPACITY. FAILURE TO DO SO MAY RESULT IN SERIOUS PERSONAL INJURY AND/OR DAMAGE TO SETUP EQUIPMENT.



Weight Capacity: 11lbs (5kg)



WARNING: DO NOT INSTALL INTO DRYWALL ALONE

VERIFY YOUR WALL CONSTRUCTION. USE WOOD STUDS TO MOUNT. We include mounting for brick and concrete walls. If unsure, please contact us at vivo-us.com, email at help@vivo-us.com, or call us at 309-278-5303.

Need Help? We're Here For You

US-Based Customer Support from Trained Professionals

Monday-Friday from 7am-7pm CST

Saturday 8am-4pm CST



Email Us

help@vivo-us.com



Chat with Live Agent

www.vivo-us.com



Give Us a Call

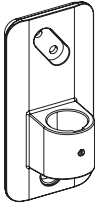
309-278-5303 ext. 1



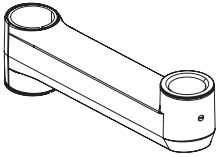
Assembly Video & Product Info

www.vivo-us.com/products/mount-kb35c

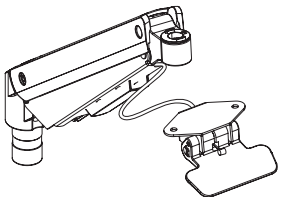
Package Contents



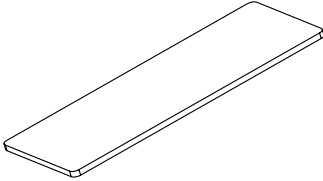
A (x1)
Wall Bracket



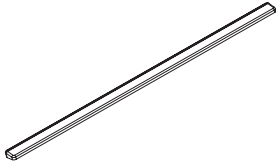
B (x1)
Lower Arm



C (x1)
Adjustable Arm



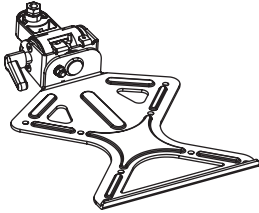
D (x1)
Keyboard tray



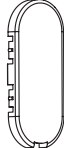
E (x1)
Wrist Pad



F (x1)
Pole



G (x1)
Keyboard Bracket



H (x1)
Oval Screw Cap

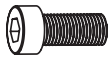


I (x1)
Round Screw Cap

Included Hardware & Tools



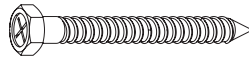
S-A (x1)
Keyed Spacer



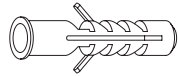
S-B (x1)
M8x25mm
Screw



S-C (x10)
M5x10mm
Screw



W-A (x3)
ST6.3x55mm
Screw



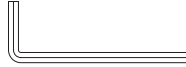
W-B (x3)
Concrete
Anchor



W-C (x3)
M6 Washer



T-A (x1)
4mm Allen
Wrench



T-B (x1)
6mm Allen
Wrench



T-C (x1)
Wrench

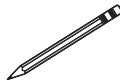
Tools Needed:



**Phillips
Screwdriver**



Level



Pencil



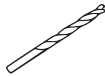
**10mm
Socket**



Stud Finder
Wood Stud



Drill



**3/16" (4.5mm)
Drill Bit**
Wood Stud

OR



**3/8" (10mm)
Drill Bit**
Concrete / Brick Wall



**Socket
Wrench**

Weight Capacity:



**11lbs
(5kg)**

Assembly Steps

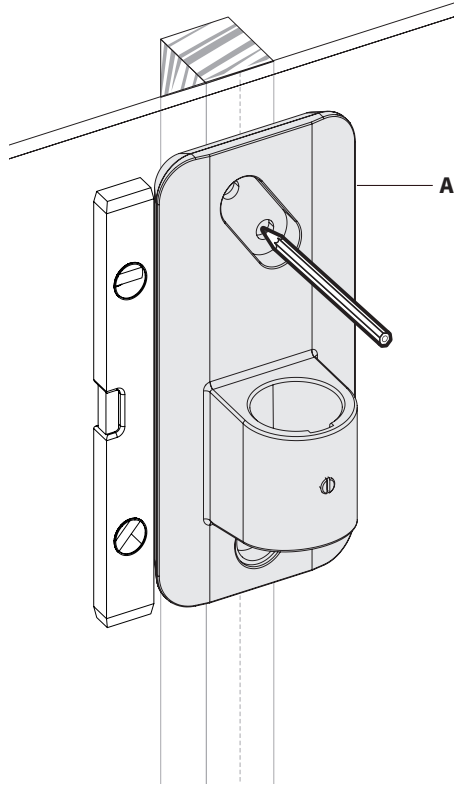
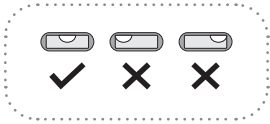
STEP 1

- Option 1 -

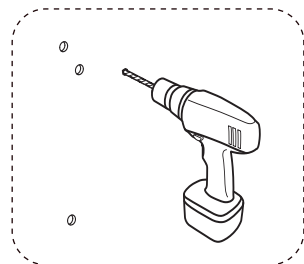
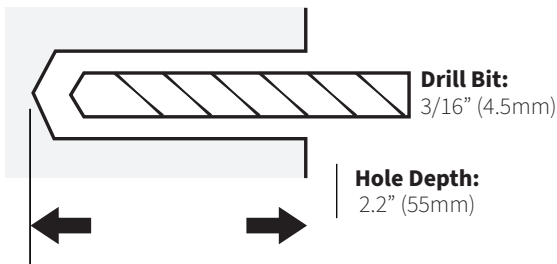
Wood Stud Mounting

For Concrete/Brick Mounting, go to **Page 8**

Position Wall Bracket **(A)** against the wall where a stud is located, and mark the drilling points. Using a level and stud finder is recommended for accuracy.

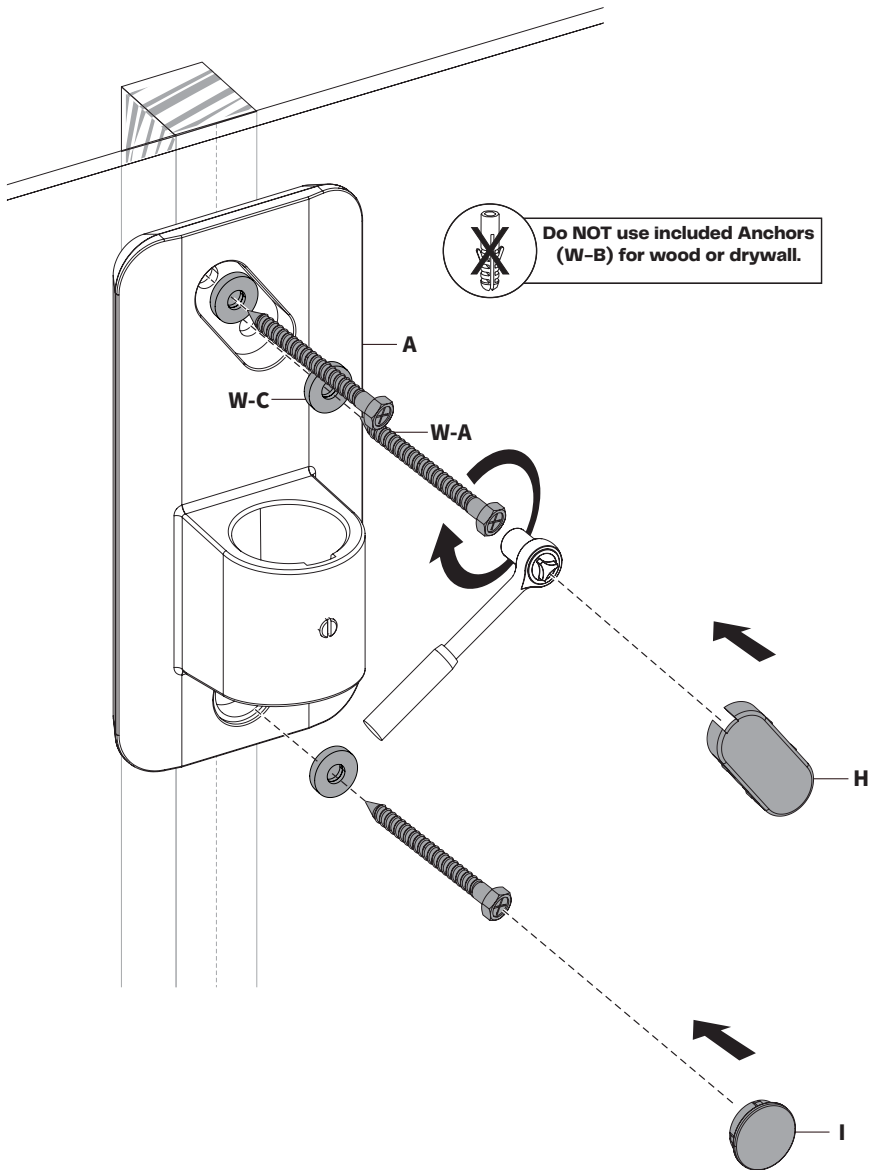


Drill holes at the marked locations, following the guidelines in the infographic below.



Wood Stud Mounting – Cont'd

Attach Wall Bracket **(A)** to the wall using ST6.3x55 Screws **(W-A)** and M6 Washers **(W-C)**. Tighten with a 10mm socket wrench. Insert Caps **(H)** and **(I)** into their designated slots.

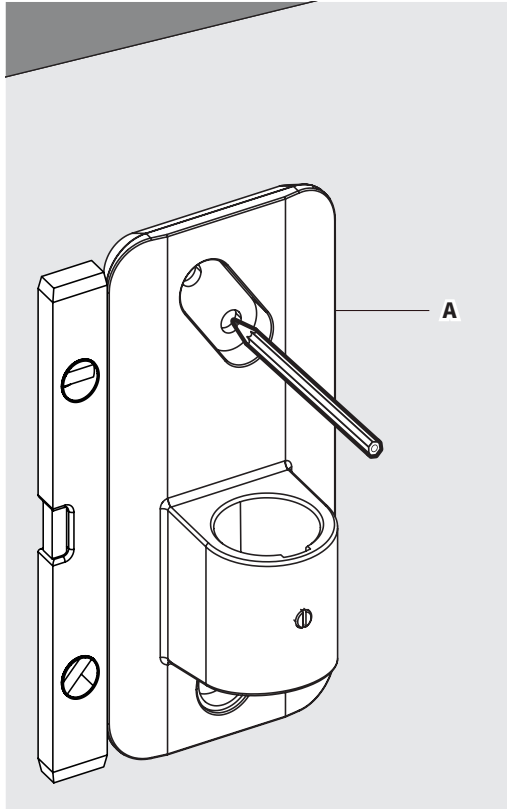
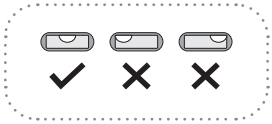


Proceed to **STEP 2**
on **Page 10**

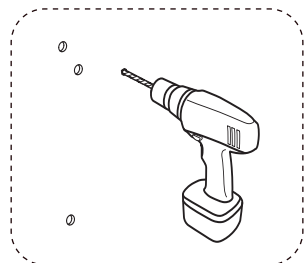
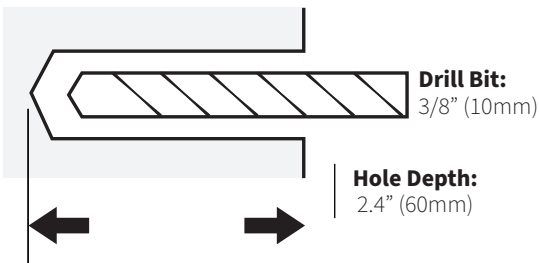
- Option 2 -

Concrete / Brick Wall Mounting

Position Wall Bracket **(A)** on the wall and mark the drilling locations. Using a level is recommended for proper alignment.

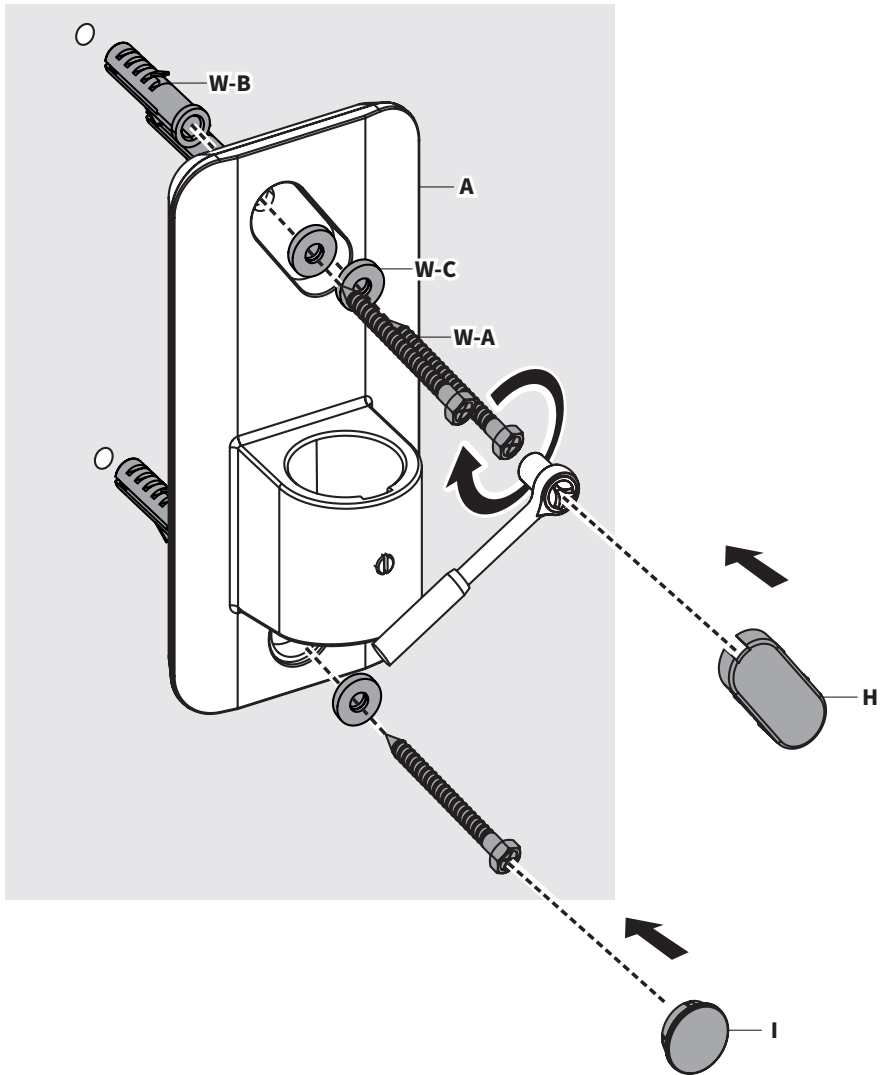


Drill holes at the marked locations, following the guidelines in the infographic below.



Concrete / Brick Wall Mounting – Cont'd

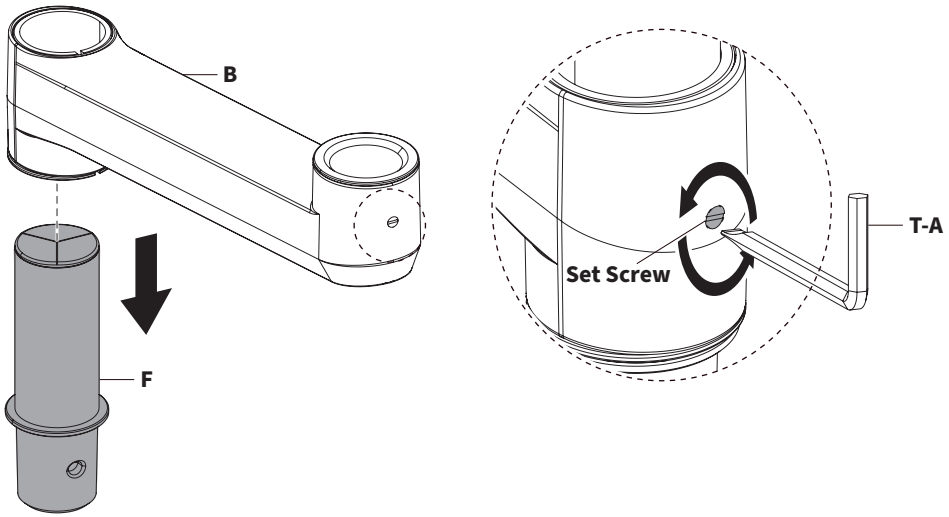
Insert Concrete Anchors (**W-B**) into the drilled holes. Attach Wall Bracket (**A**) to the wall using ST6.3x55 Screws (**W-A**) and M6 Washers (**W-C**). Tighten securely with a 10mm socket wrench. Insert Caps (**H**) and (**I**) into their designated slots.



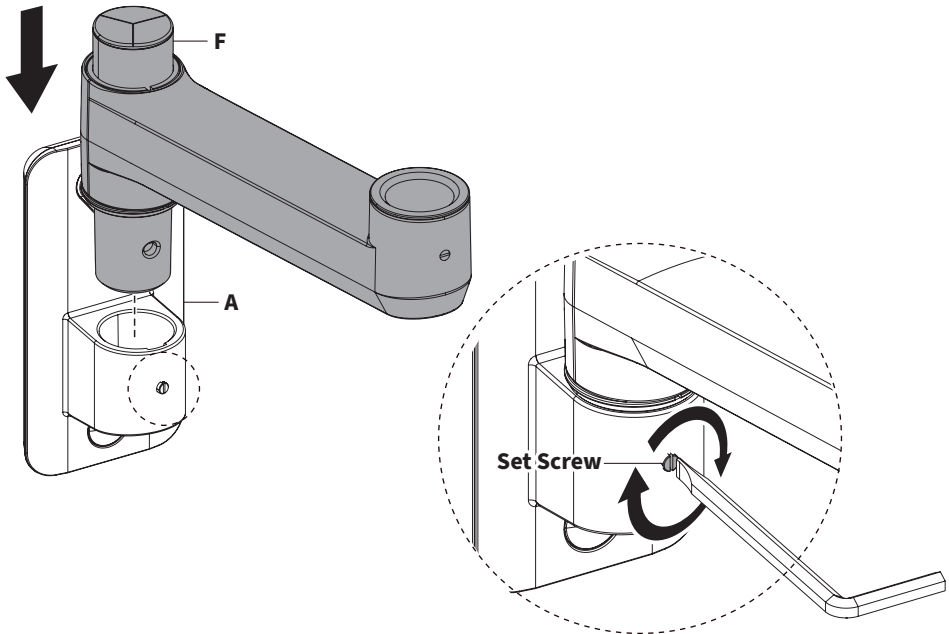
Proceed to **STEP 2**
on **Page 10**

STEP 2

Slide Lower Arm (**B**) onto Pole (**F**) and tighten the **Set Screw** using the flathead end of the 4mm Allen Wrench (**T-A**).



Insert Pole (**F**) into Wall Bracket (**A**) and secure it by tightening the Wall Bracket **Set Screw** with the flathead end of the 4mm Allen Wrench.



STEP 3

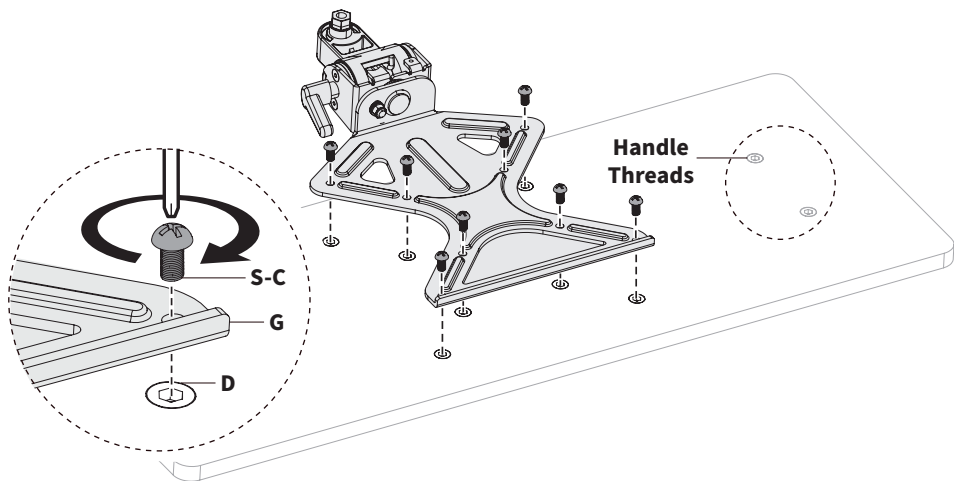
Secure Keyboard Bracket (**G**) to Keyboard Tray (**D**) using M5x10mm Screws (**S-C**). Tighten the screws with a Phillips screwdriver.



The orientation of the **Handle Threads** determines which side the lever will be on.

Left-Handed Lever

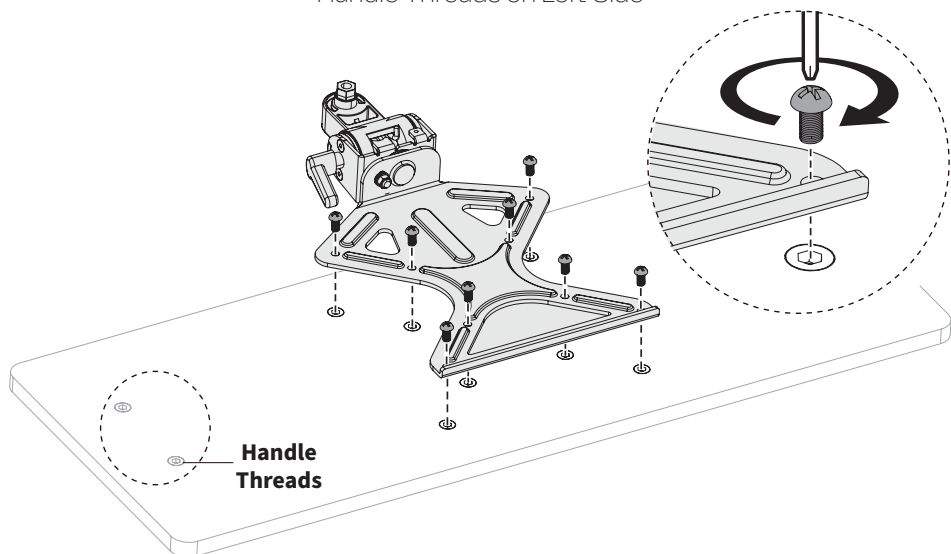
Handle Threads on Right Side



OR

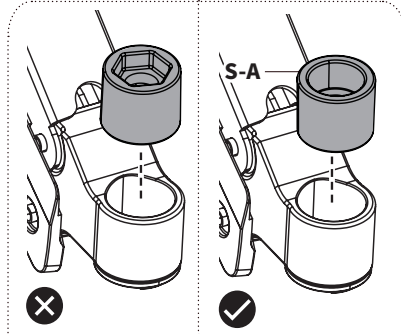
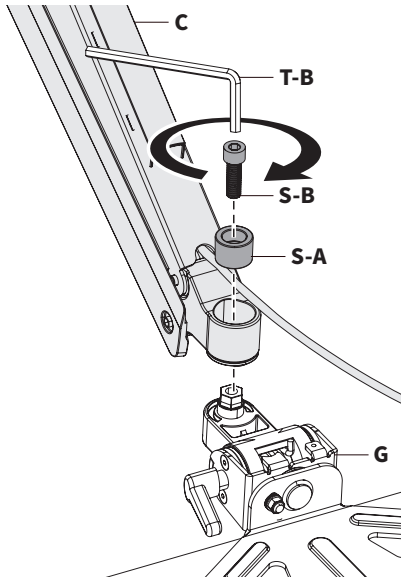
Right-Handed Lever

Handle Threads on Left Side



STEP 4

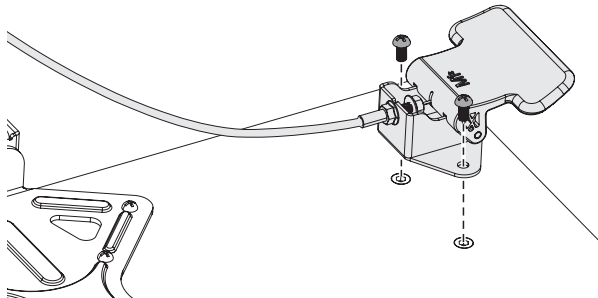
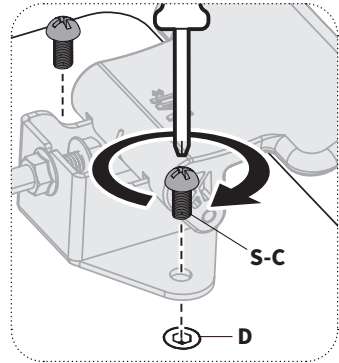
Attach Adjustable Arm (C) to Keyboard Bracket (G) using the Keyed Spacer (S-A) and M8x25mm Screw (S-B). Tighten the screw securely with the 6mm Allen Wrench (T-B).



Keyed Spacer Installation

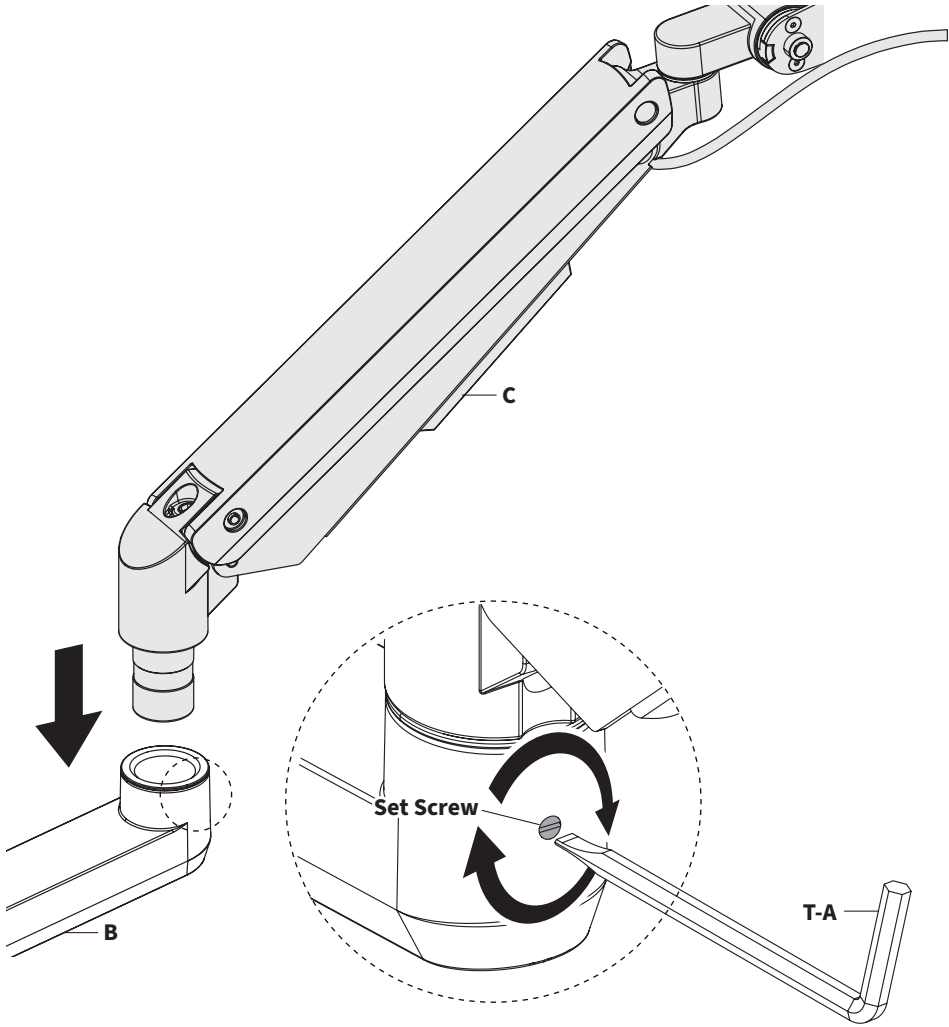
Install with the *hexagonal side* of the Keyed Spacer (S-A) facing downward.

Attach the Handle of the Gas Spring to Keyboard Tray (D) using M5x10mm Screws (S-C) and tighten with a Phillips screwdriver.



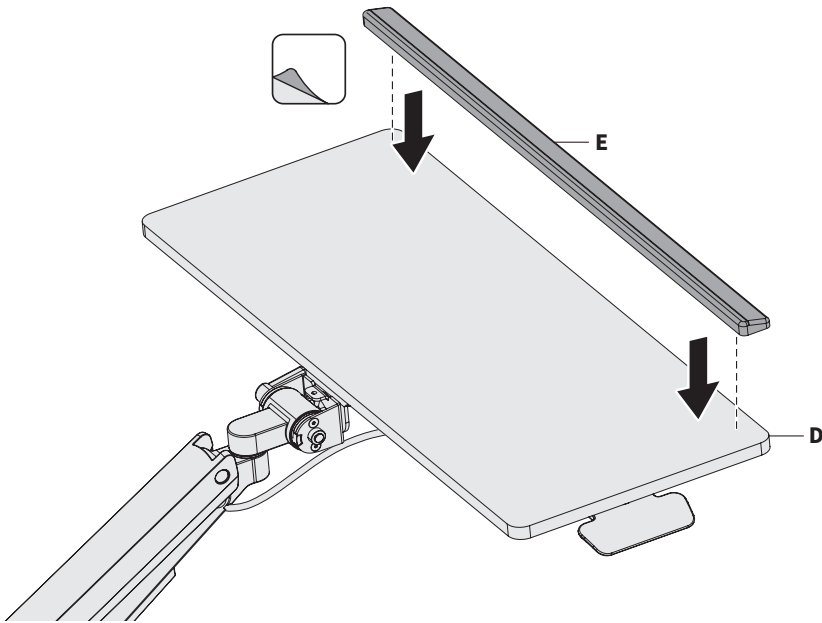
STEP 5

Place the assembled Adjustable Arm (C) onto Lower Arm (B) and secure it by tightening the **Set Screw** on Lower Arm with the flathead end of the 4mm Allen Wrench (T-A).



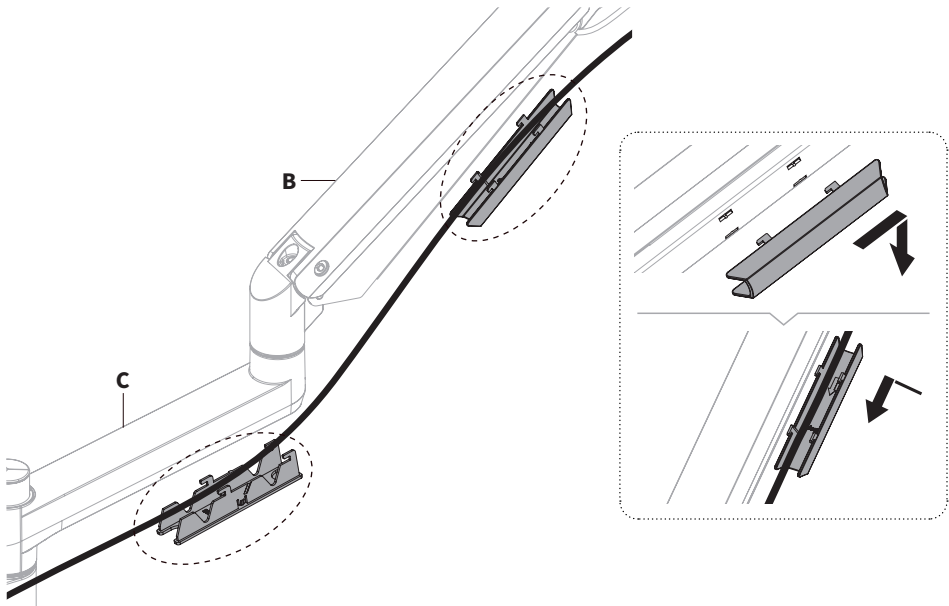
STEP 6

Remove the adhesive cover from the Wrist Pad (**E**) and attach it to the Keyboard Tray (**D**).



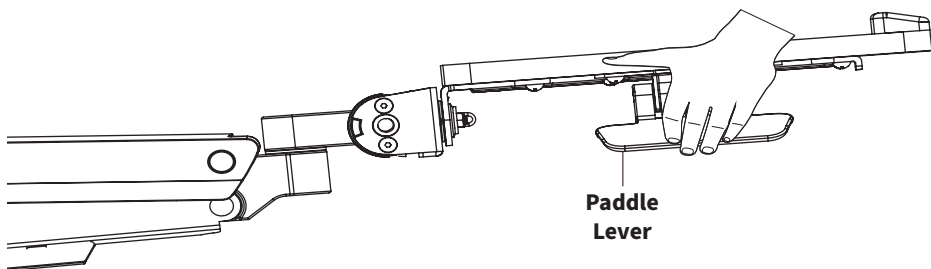
STEP 7

Slide off the cable covers from Arms (**B**, **C**), manage the cables, and then slide the cable covers back on once finished.



Positioning Arm

Use the **Paddle Lever** to adjust the arm into a horizontal position.

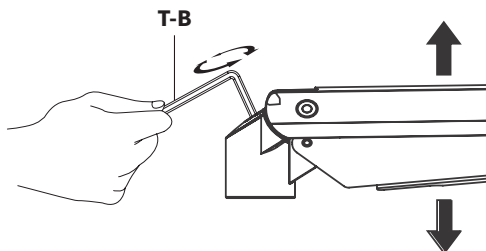


If Arm Doesn't Support Laptop:

Adjust Tension

1 Insert 6mm Allen Wrench (T-B) Into Adjustment Screw

Insert the 6mm Allen Wrench (**T-B**) into the adjustment screw on the back of the monitor arm.



2 Turn to Adjust Tension

To increase tension, turn the screw **counter-clockwise**. This improves control when using the lever, especially with heavier devices like a laptop.



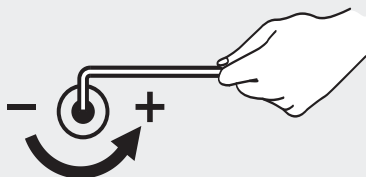
** TENSION WARNING **

Clockwise turns **reduce** support.

Keep spring tight to prevent drops.

Counter-Clockwise: Increase Support

[if the arm moves too easily]

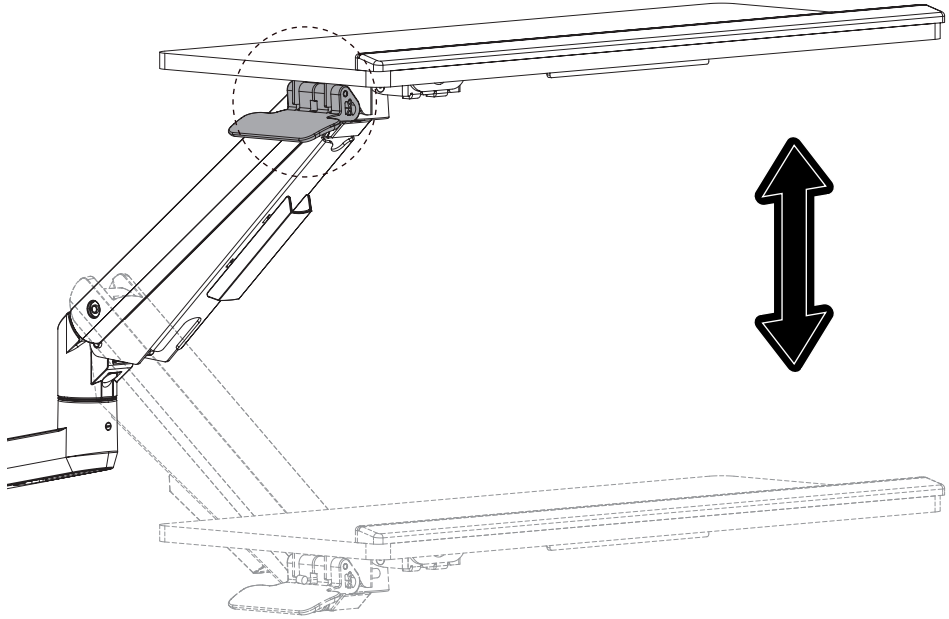
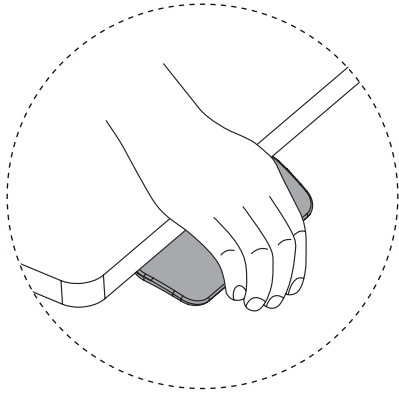


Turn the adjustment screw **counter-clockwise** to **increase** support.

Height Adjustment

To adjust the height of the keyboard tray, pull the handle to lift the tray upwards.

To lower it, apply downward pressure while holding the handle. Release the handle once the tray is in the desired position.



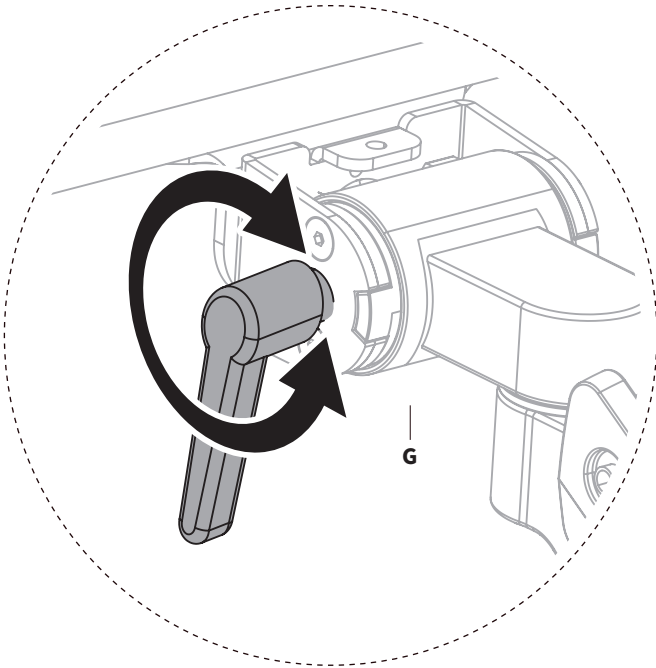
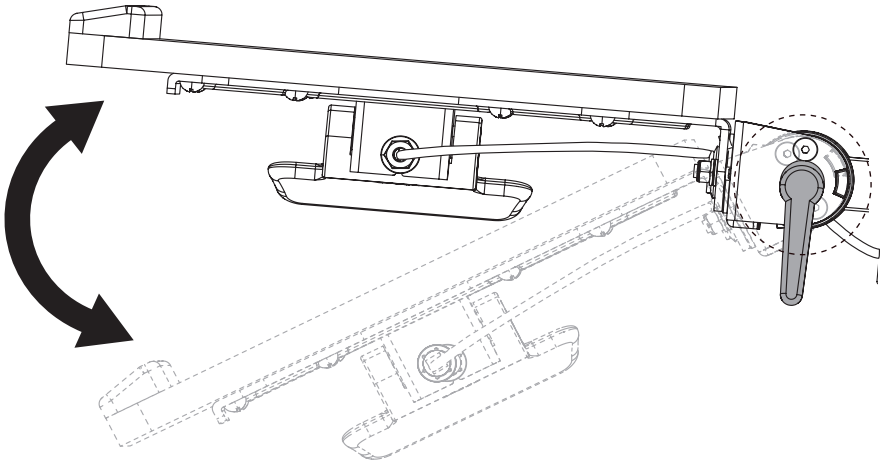
**** WARNING: DO NOT LEAN ON TRAY****



Applying excess pressure to the Tray may cause damage to the product, personal property, and/or could result in injury.

Tilt Adjustment

To adjust the tilt of the tray, loosen the handle on the side of the Keyboard Bracket (**G**). Set the tray to the desired angle, then twist the handle to tighten and secure it in place.

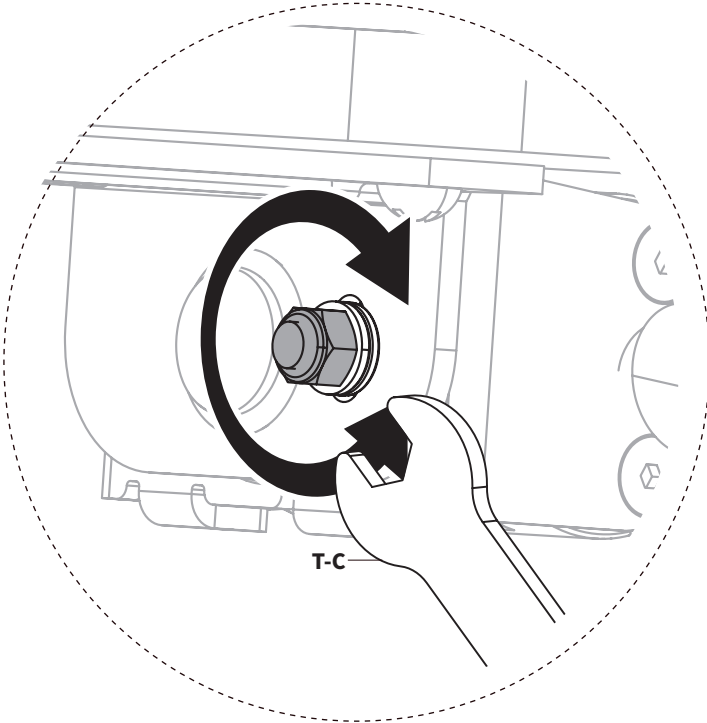
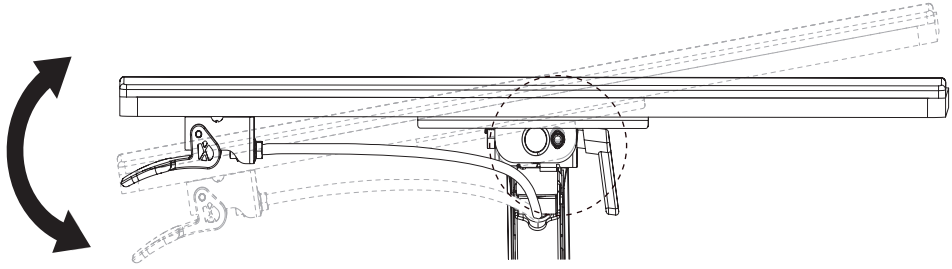


Not For Height Adjustments

The Tilt Handle is located **at the joint** and controls forward/back tilt **ONLY**. To adjust the height of the assembly, see **Page 16**.

Swivel Adjustment

To adjust the swivel, use the 8mm Wrench (**T-C**) to loosen the nut below the keyboard tray. Set the tray to the desired angle, then tighten the nut with the 8mm Wrench.



V·I·V·



Love Your New Setup?
Tag Us on Social!



@VIVO-us



@vivo_us



@VIVOus



VIVO



Need Help? **We're Here For You**

Monday-Friday from 7am-7pm CST
Saturday 8am-4pm CST



Email Us
help@vivo-us.com



Chat with Live Agent
www.vivo-us.com



Give Us a Call
309-278-5303 ext. 1



VIVO-us



@vivo_us



@VIVOus



VIVO