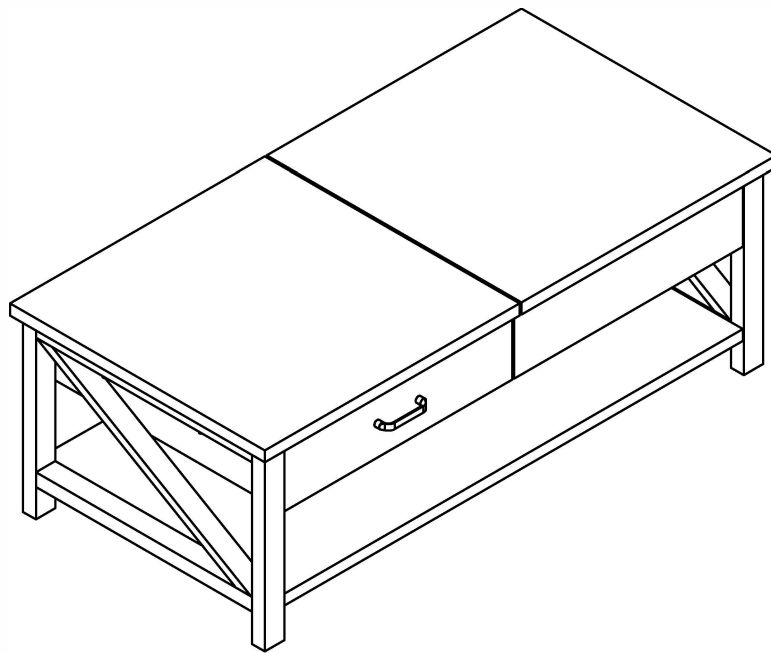


ASSEMBLY INSTRUCTIONS

ITEM#:BM284683



ASSEMBLY INSTRUCTIONS

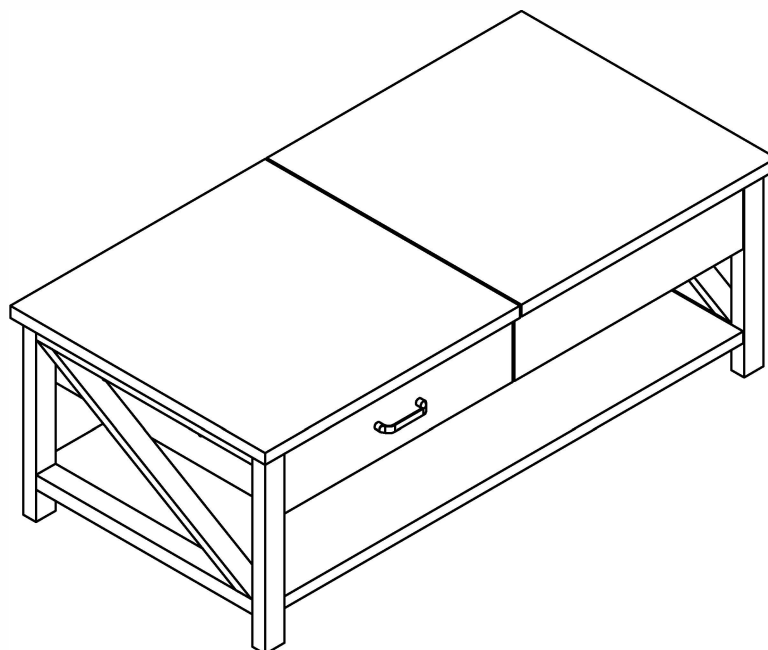
PLEASE READ BEFORE ASSEMBLING!

Tip #1: Make sure you've taken all the pieces and hardware out of its packaging before discarding the box. Assembly on top of flattened box/blanket is recommended.

Tip #2: Using page 2 and/or page 3 of instruction manual make sure all pieces and hardware are accounted for.

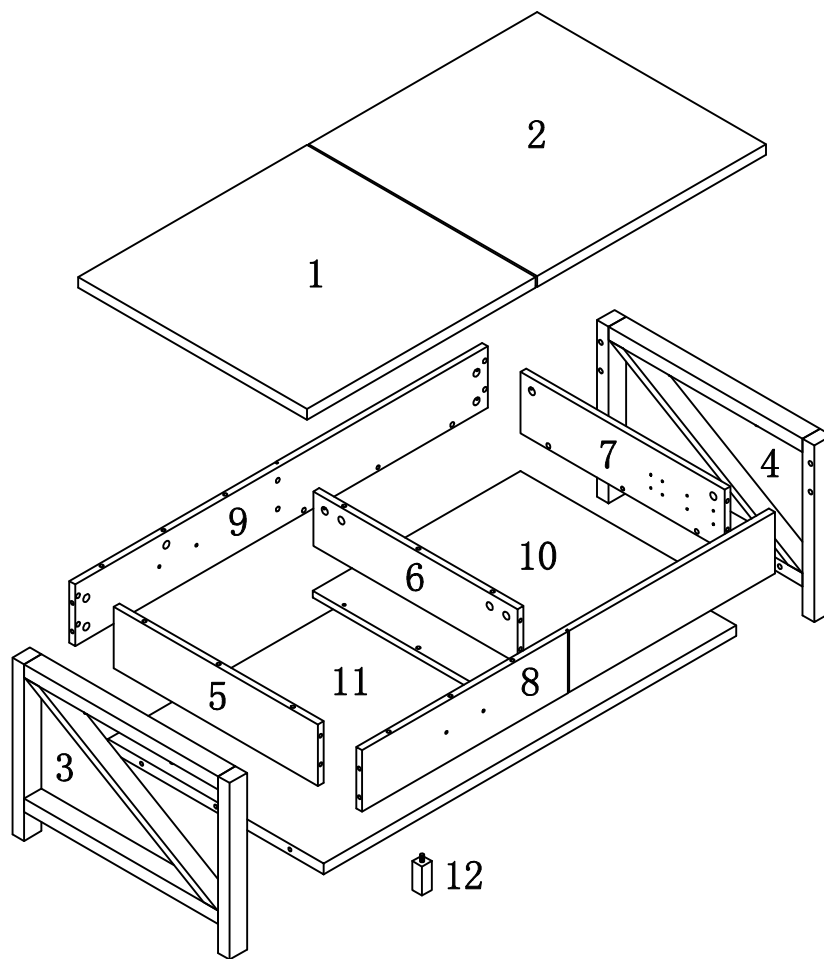
Tip #3: Note position of all holes on each panel during assembly.

ITEM#: BM284683



PARTS IDENTIFICATION

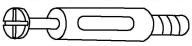


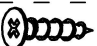
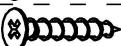
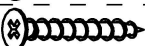






BM284683



(1)	1pc	(7)	1pc
(2)	1pc	(8)	1pc
(3)	1pc	(9)	1pc
(4)	1pc	(10)	1pc
(5)	1pc	(11)	1pc
(6)	1pc	(12)	1pc

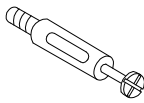

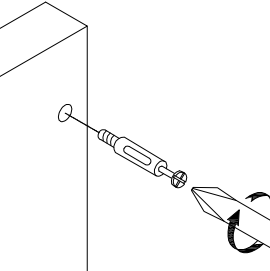
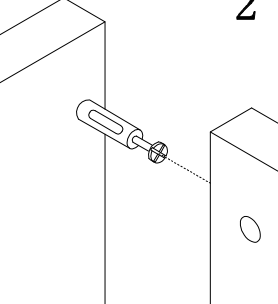
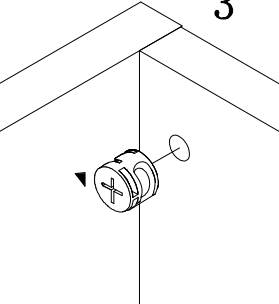
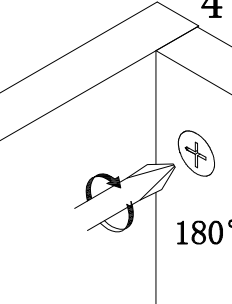
HARDWARE IDENTIFICATION

BM284683

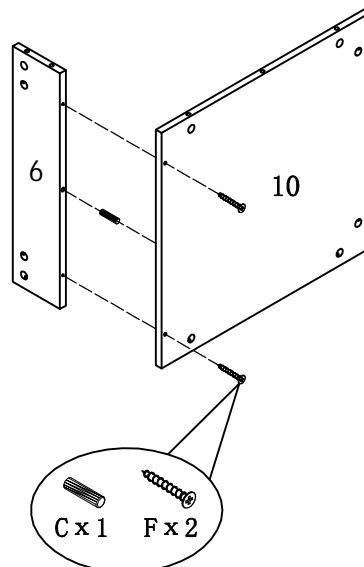
A		L29	30pcs
B		Ø15	30pcs
C		Ø8x25	18pcs
D		Ø4x16	16pcs
E		Ø4x20	10pcs
F		Ø4x40	2pcs
G			2pcs
H		M4x22	4pcs
I		Ø22	6pcs
J		Ø16	4pcs
K			1pc
L		Glue: For securing please apply to wood dowel first before inserting into panel	1pc

ASSEMBLY INSTRUCTIONS

BM284683

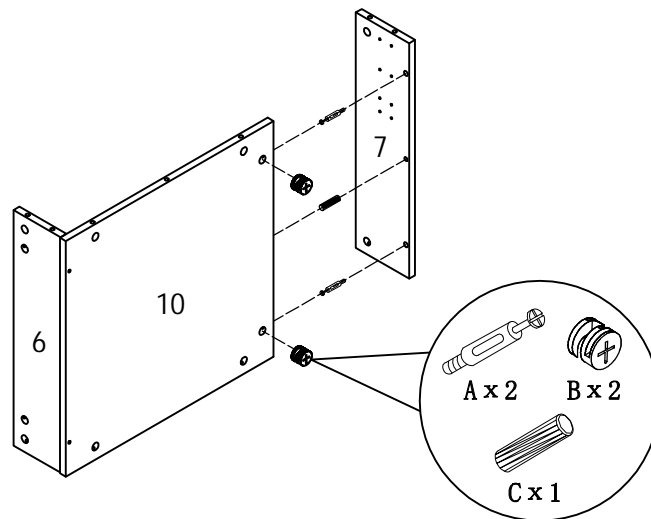
HOW TO	1	2	3	4
 <p>Cam Bolt</p>  <p>Cam Lock</p>				 <p>180°</p>
	1. Screw Cam Bolt into panel.	2. Insert Cam Bolt into bolt hole of joining panel.	3. Insert Cam Lock. arrow facing bolt.	4. Gently turn Cam Lock clockwise to lock position.

STEP 1



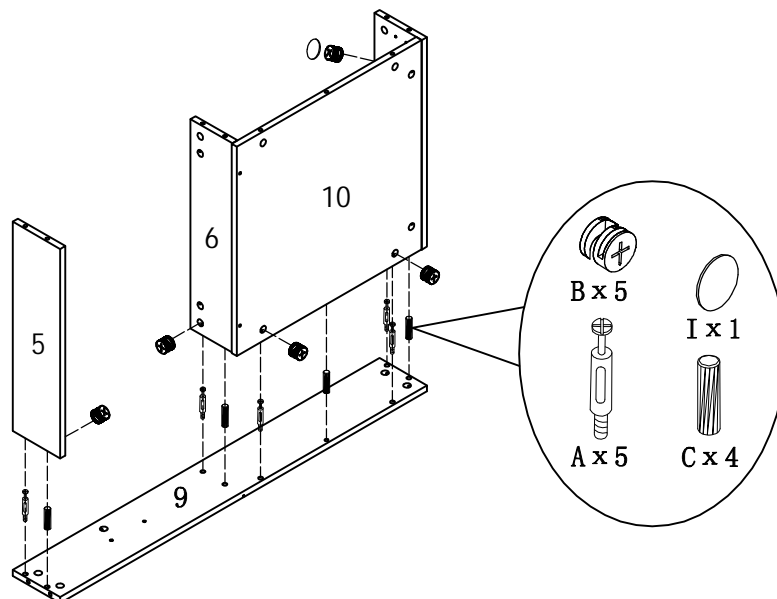
ASSEMBLY INSTRUCTIONS

BM284683



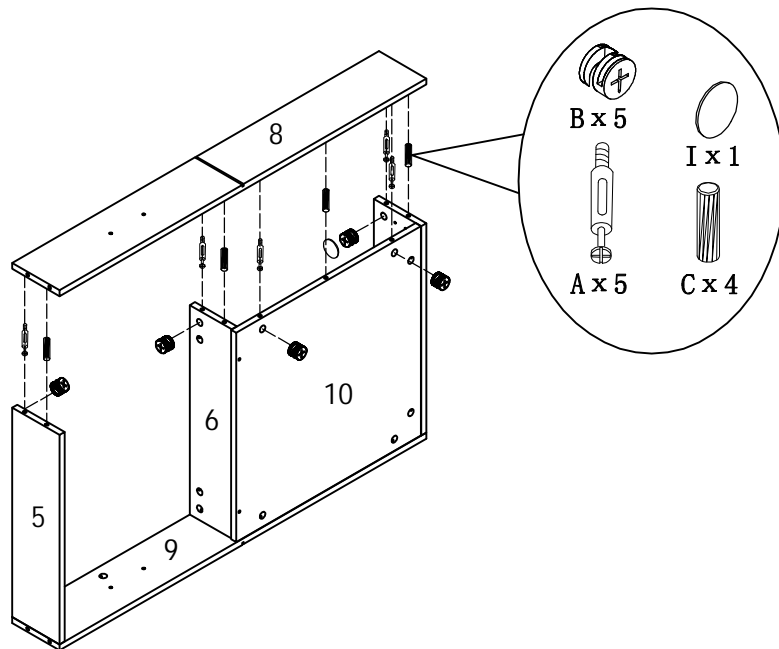
STEP2

STEP3



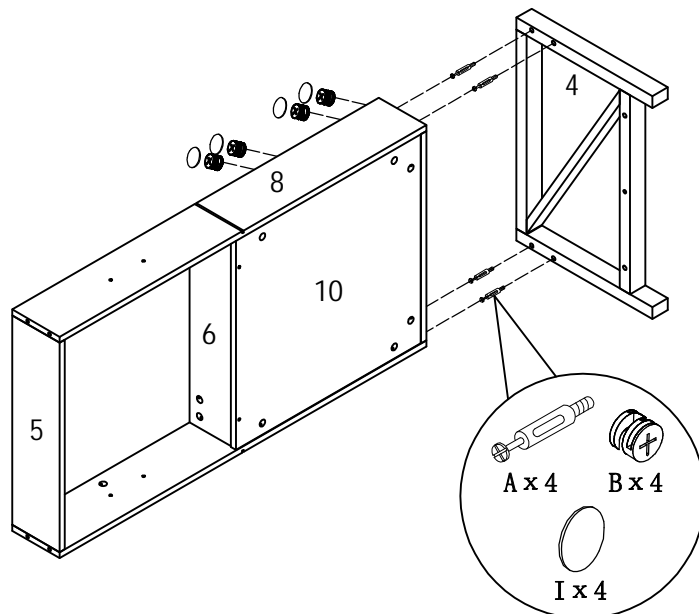
ASSEMBLY INSTRUCTIONS

BM284683



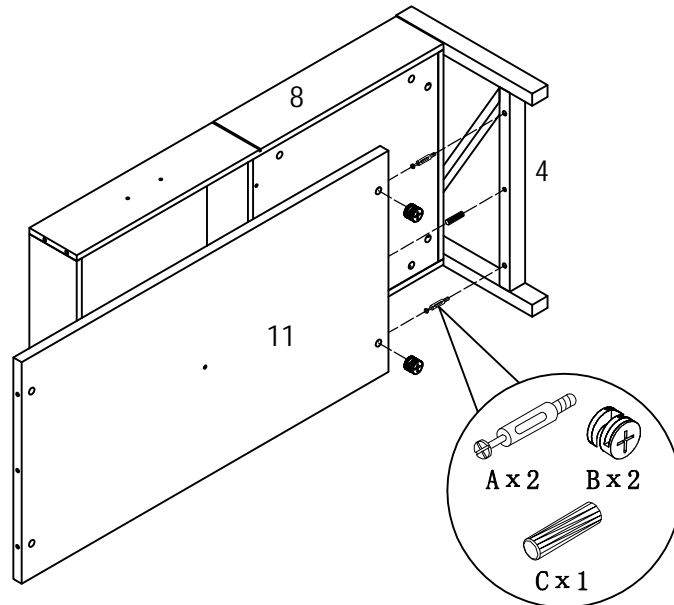
STEP4

STEP5



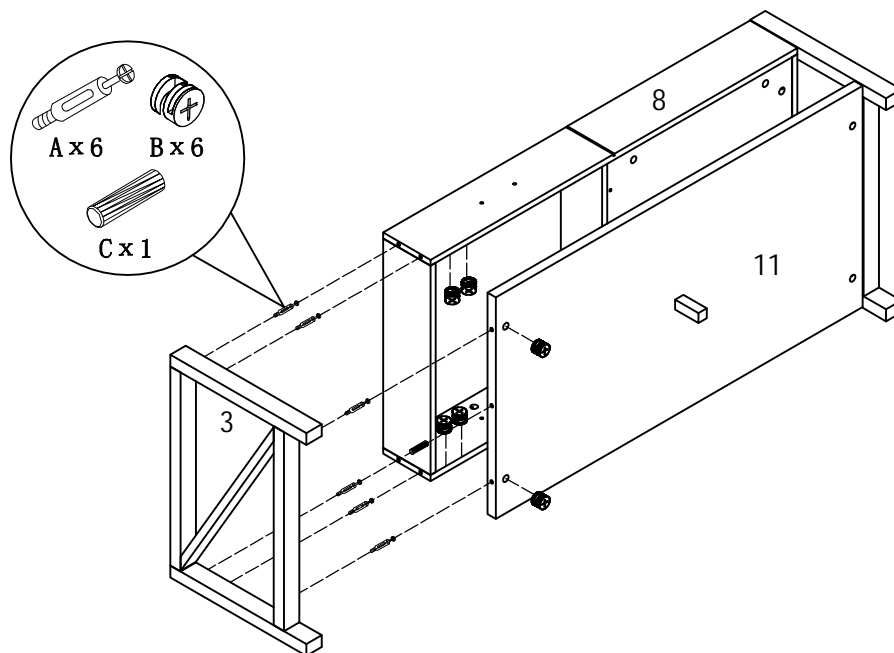
ASSEMBLY INSTRUCTIONS

BM284683



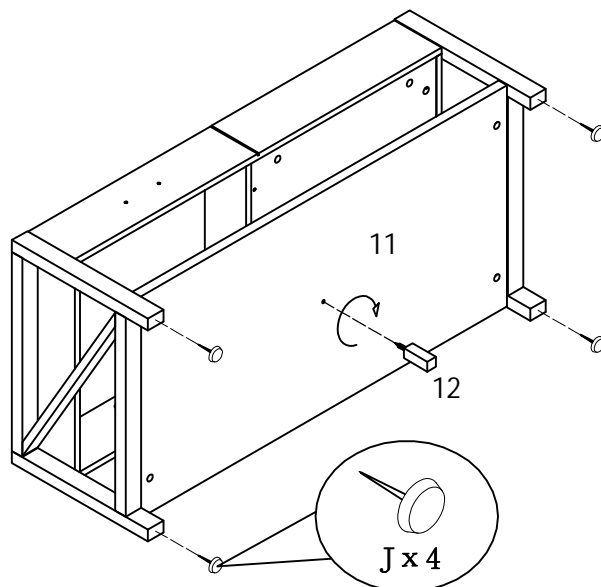
STEP6

STEP7



ASSEMBLY INSTRUCTIONS

BM284683



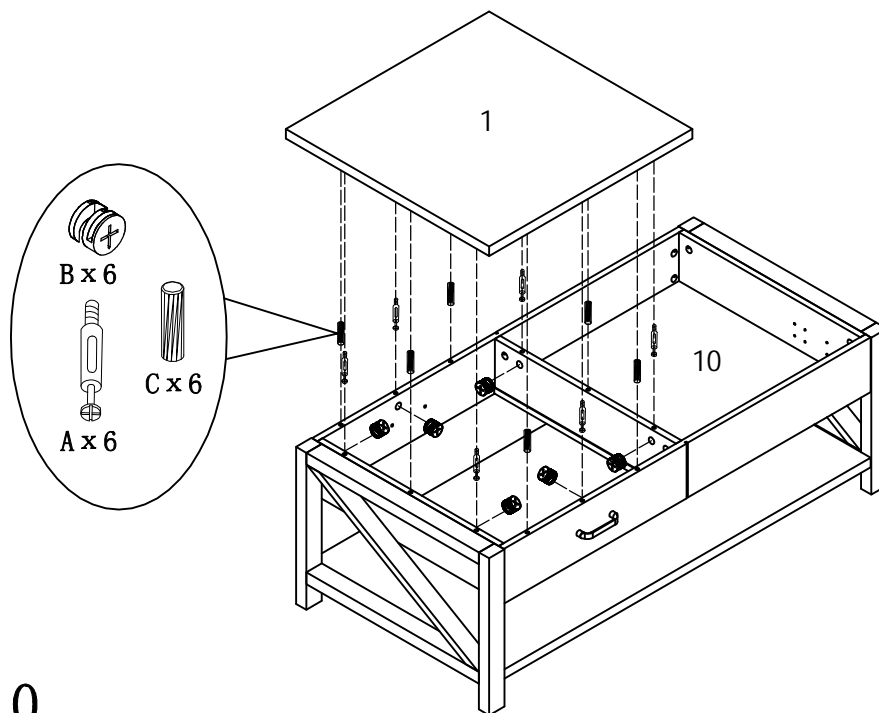
STEP8

STEP9



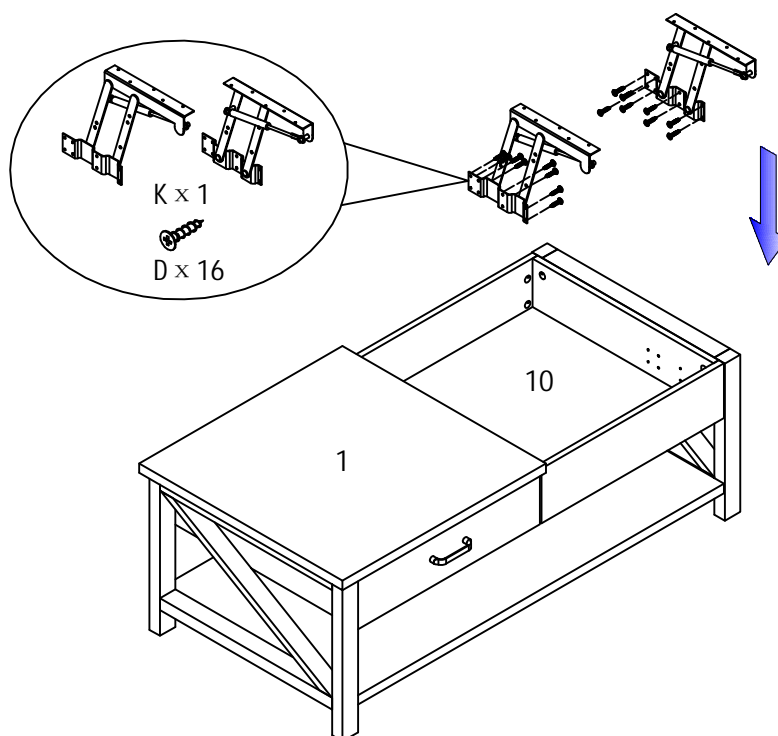
ASSEMBLY INSTRUCTIONS

BM284683



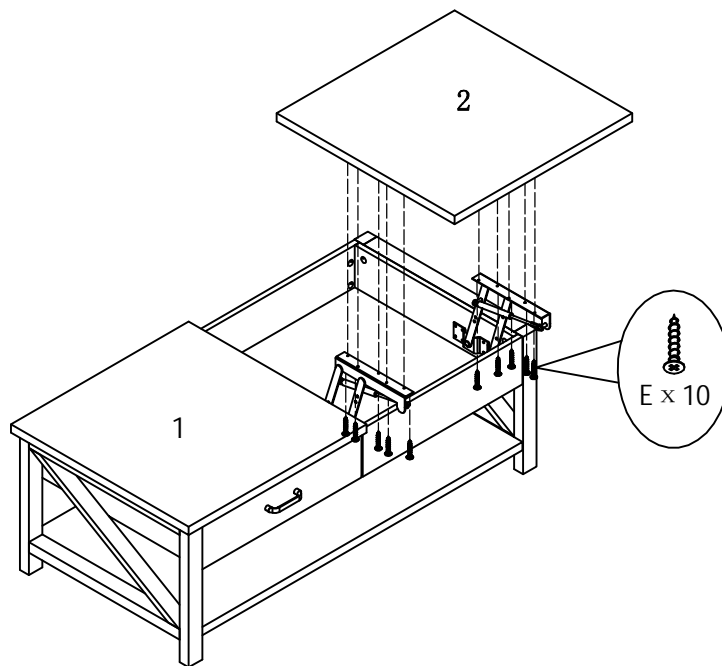
STEP10

STEP11



ASSEMBLY INSTRUCTIONS

BM284683



STEP 12

STEP 13

