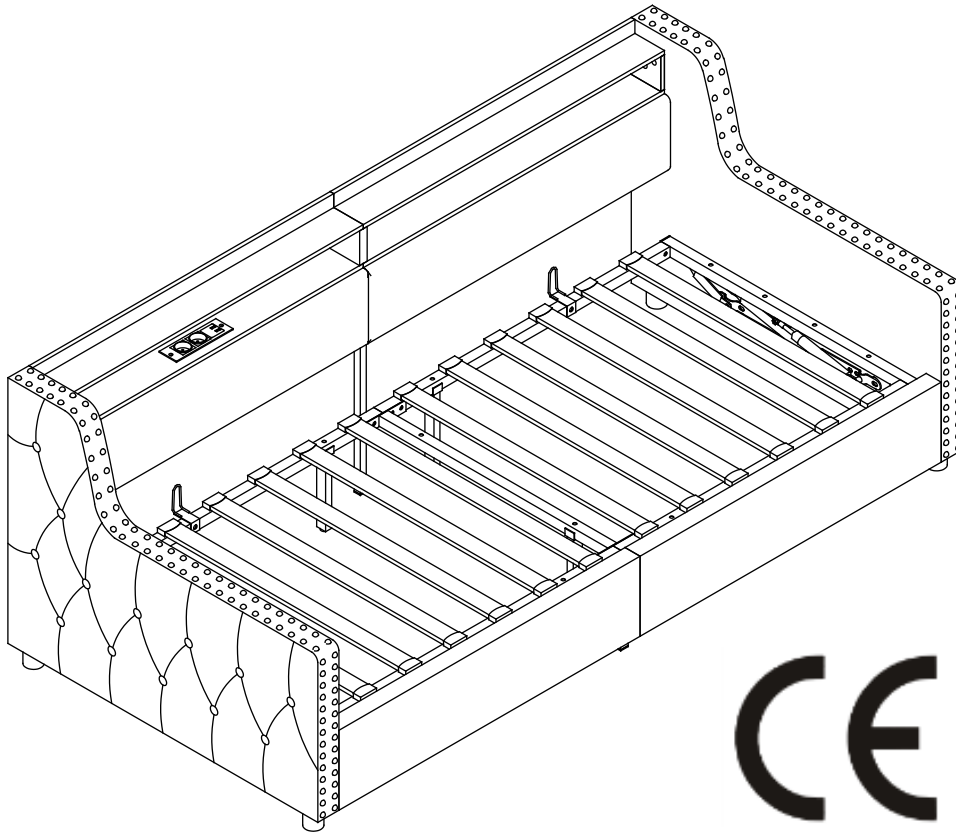


# Installation sanleitung

# Installation Instruction

# Instruction d'installation

SKU: N623P330286/N623P330287



Unser Produkt wird Ihnen in 2 Paketen geliefert. Die Lieferzeiten dieser 2 Pakete können abweichen, bitte haben Sie etwas Geduld und vielen Dank für Ihr Verständnis.

Our product will be delivered to you in 2 packages. The delivery times of these 2 packages may differ, please be patient and thank you for your understanding.

Notre produit vous sera livré en 2 colis. Les délais de livraison de ces 2 colis peuvent différer, soyez patient et merci pour votre compréhension.

## English

### IMPORTANT ! KEEP FOR FUTURE REFERENCE : READ CAREFULLY

- To be assembled by an adult. Assembly must be checked by an adult before use
- WARNING ! Keep all screws, small parts and plastic bags out of the reach of children
- Properly identify all parts before assembling
- Never use your item if any of its parts are broken or missing
- Should any problems arise, please contact our After Sales Service
- Manufacturer's instructions shall be followed at all times
- Care: Clean with a soft, dry cloth. In case of larger stains, carefully rub with a slightly damp, non-abrasive sponge
- Avoid the risk of fire by not placing furniture near sources of ignition or hot items
- Do not jump on the bed

## Deutsch

### WICHTIG ! ZUM SPÄTEREN NACHSCHLAGEN AUFBEWAHREN: SORGFÄLTIG LESEN

- Muss von einem Erwachsenen zusammengebaut werden. Der Zusammenbau muss vor dem Gebrauch von einem Erwachsenen überprüft werden
- WARNUNG! Bewahren Sie alle Schrauben, Kleinteile und Plastikbeutel außerhalb der Reichweite von Kindern auf
- Kennzeichnen Sie vor dem Zusammenbau alle Teile richtig
- Benutzen Sie Ihren Artikel niemals, wenn Teile gebrochen sind oder fehlen
- Sollten Probleme auftreten, wenden Sie sich bitte an unseren Kundendienst
- Die Anweisungen des Herstellers sind stets zu befolgen
- Pflege: Mit einem weichen, trockenen Tuch reinigen. Bei größeren Flecken vorsichtig mit einem leicht feuchten, nicht scheuernden Schwamm abreiben. nicht scheuernden Schwamm
- Vermeiden Sie die Gefahr eines Brandes, indem Sie die Möbel nicht in der Nähe von Zündquellen oder heißen Gegenständen aufstellen
- Nicht auf das Bett springen

## Français

### IMPORTANT ! CONSERVER POUR RÉFÉRENCE ULTÉRIEURE : LIRE ATTENTIVEMENT

- Le montage doit être effectué par un adulte. Le montage doit être vérifié par un adulte avant Utilisation
- ATTENTION ! Tenir les vis, les petites pièces et les sachets en plastique hors de portée des enfants
- Identifiez correctement toutes les pièces avant de les assembler
- N'utilisez jamais votre article si l'une de ses pièces est cassée ou manquante
- En cas de problème, veuillez contacter notre service après-vente
- Les instructions du fabricant doivent être respectées à tout moment
- Entretien : nettoyer avec un chiffon doux et sec. En cas de taches plus importantes, frotter soigneusement avec une éponge non abrasive légèrement humide. légèrement humide et non Abrasive
- Évitez les risques d'incendie en ne plaçant pas les meubles à proximité de sources d'inflammation ou d'objets chauds
- Ne pas sauter sur le lit

**Italiano**

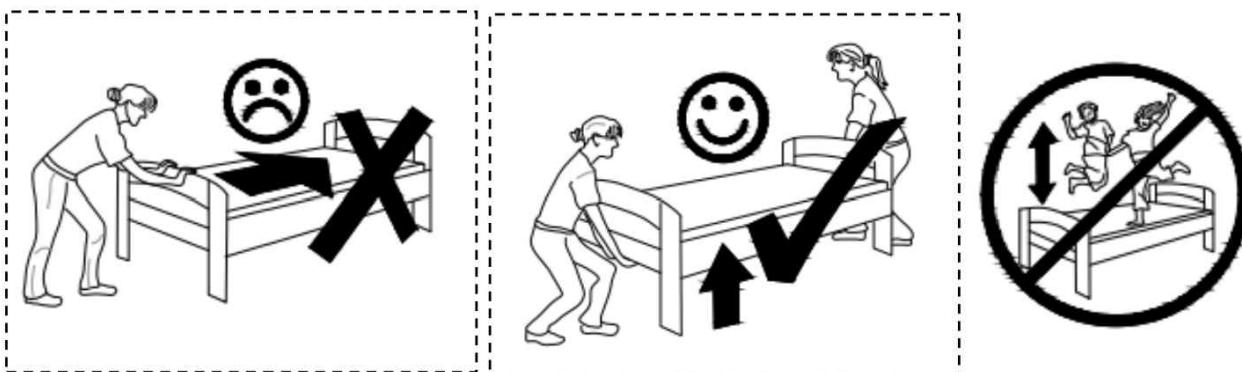
**IMPORTANTE! CONSERVARE PER RIFERIMENTO FUTURO: LEGGERE ATTENTAMENTE**

- Deve essere assemblato da un adulto. L'assemblaggio deve essere controllato da un adulto prima dell'uso
- **ATTENZIONE!** Tenere tutte le viti, le piccole parti e i sacchetti di plastica fuori dalla portata dei bambini
- Identificare correttamente tutte le parti prima dell'assemblaggio
- Non utilizzare mai l'articolo se alcune parti sono rotte o mancanti
- In caso di problemi, si prega di contattare il nostro Servizio Post Vendita
- Le istruzioni del produttore devono essere sempre seguite
- Cura: Pulire con un panno morbido e asciutto. In caso di macchie più estese, strofinare accuratamente con una spugna leggermente umida e non spugna leggermente umida e non abrasiva
- Evitare il rischio di incendio, non collocando i mobili vicino a fonti di accensione o a oggetti caldi
- Non saltare sul letto

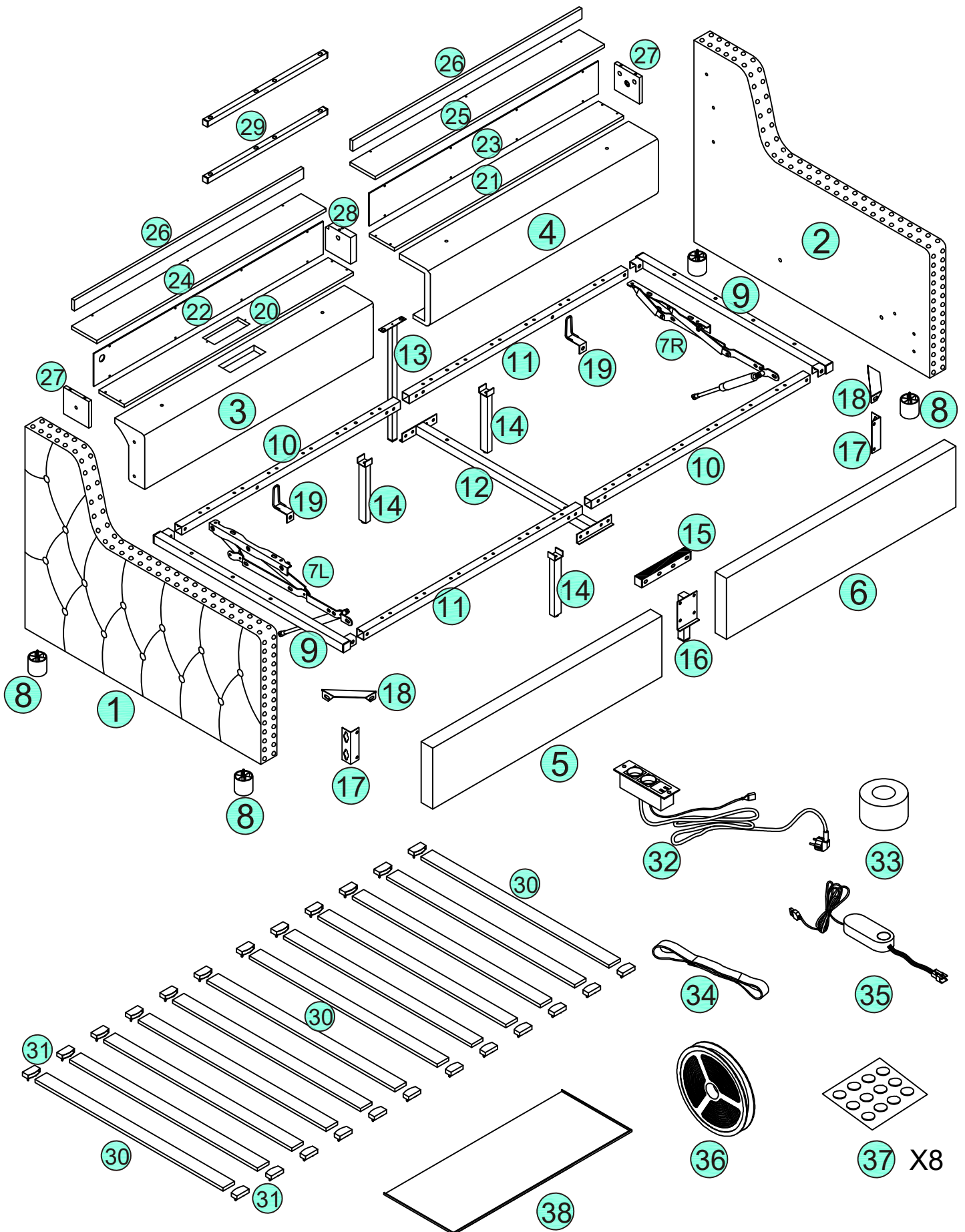
**Español**

**¡ IMPORTANTE ! CONSERVELO PARA FUTURAS CONSULTAS: LEA ATENTAMENTE**

- Debe ser montado por un adulto. El montaje debe ser comprobado por un adulto antes del uso
- ADVERTENCIA Mantenga todos los tornillos, piezas pequeñas y bolsas de plástico fuera del alcance de los niños.
- Identifique correctamente todas las piezas antes de montarlas
  - Nunca utilice su artículo si alguna de sus piezas está rota o falta
  - Si surge algún problema, póngase en contacto con nuestro Servicio Postventa
  - Las instrucciones del fabricante deben seguirse en todo momento
  - Cuidado: Limpiar con un paño suave y seco. En caso de manchas más grandes, frote cuidadosamente con una esponja no abrasiva ligeramente humedecida.
  - Evite el riesgo de incendio no colocando los muebles cerca de fuentes de ignición u objetos calientes.
  - No saltar sobre la cama.

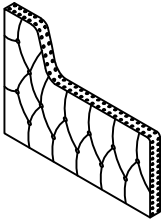
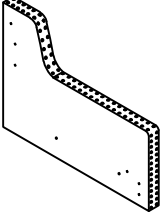
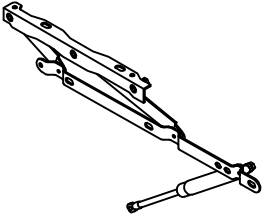
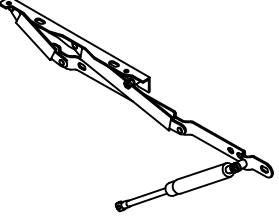
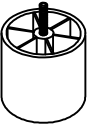
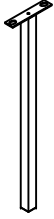
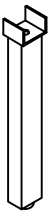
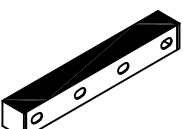
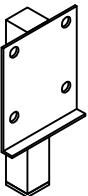
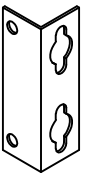

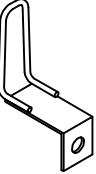
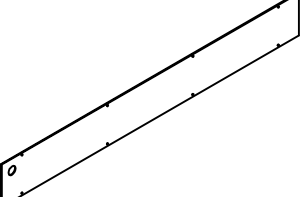
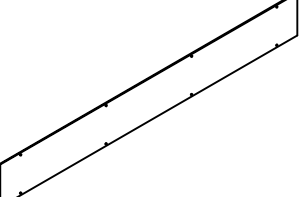
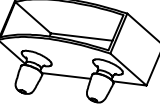
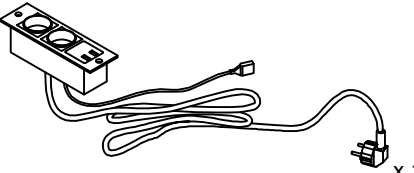
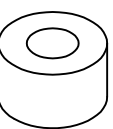

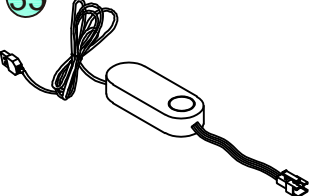

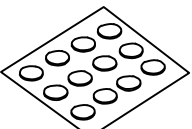
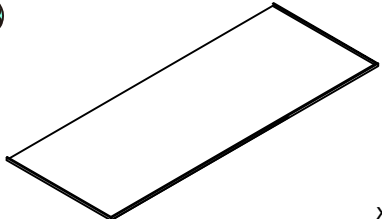
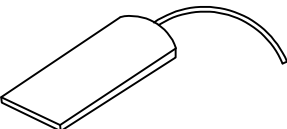


# Stückliste



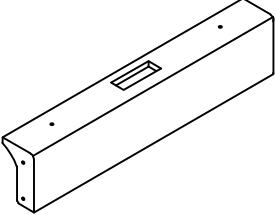
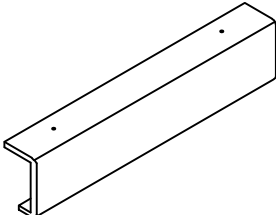
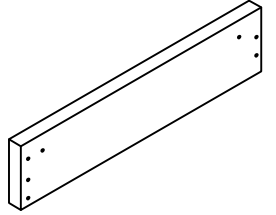
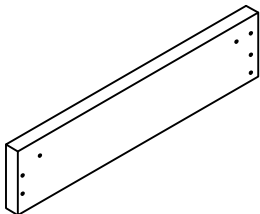
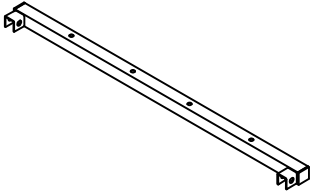
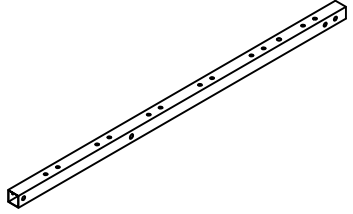
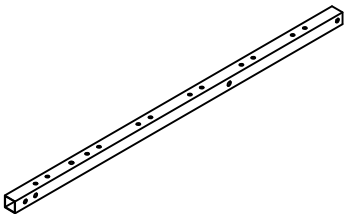
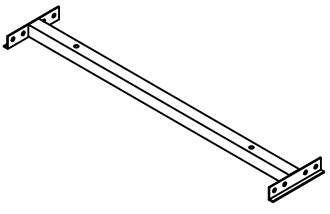
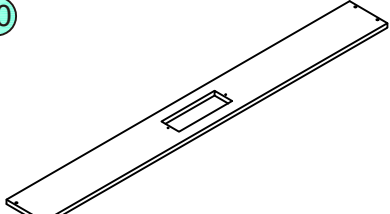
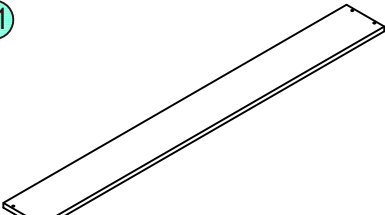
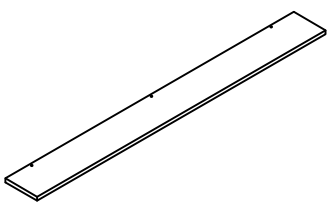
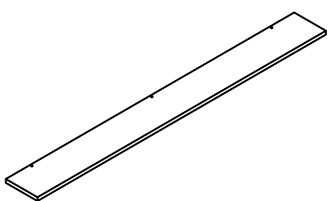
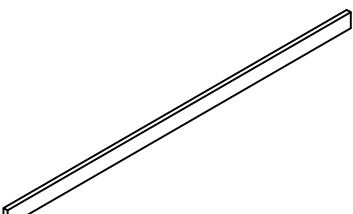
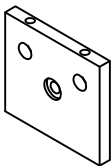
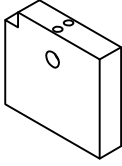
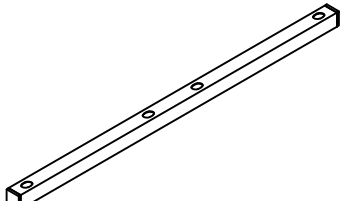
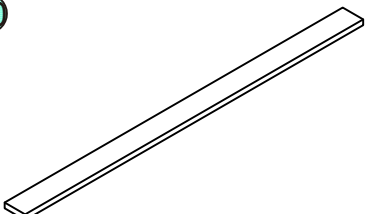
# Liste der Einzelteile

N623P330286 (BOX-1/2)

 <p>1</p> <p>x 1</p>	 <p>2</p> <p>x 1</p>	 <p>7L</p> <p>x 1</p>		
 <p>7R</p> <p>x 1</p>	 <p>8</p> <p>x 4</p>	 <p>13</p> <p>x 1</p>	 <p>14</p> <p>x 3</p>	 <p>15</p> <p>x 1</p>
 <p>16</p> <p>x 1</p>	 <p>17</p> <p>x 2</p>	 <p>18</p> <p>x 2</p>	 <p>19</p> <p>x 2</p>	
 <p>22</p> <p>x 1</p>	 <p>23</p> <p>x 1</p>	 <p>31</p> <p>x 24</p>		
 <p>32</p> <p>x 1</p>	 <p>33</p> <p>x 4</p>	 <p>34</p> <p>x 2</p>	 <p>35</p> <p>x 1</p>	
 <p>36</p> <p>x 1</p>	 <p>37</p> <p>x 8</p>	 <p>38</p> <p>x 1</p>	 <p>hardware kit</p>	

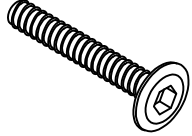
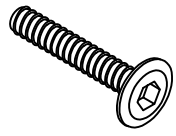
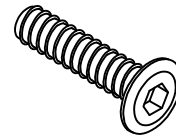
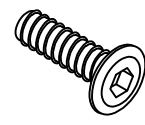
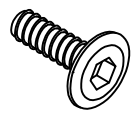
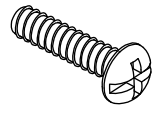
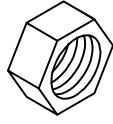
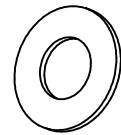
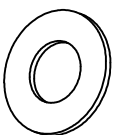
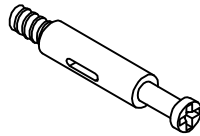

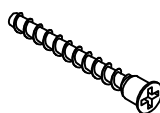
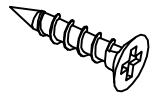
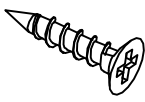
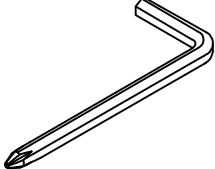
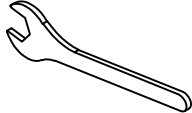
# Liste der Einzelteile

N623P330287 (BOX-2/2)

<p>3</p>  <p>x 1</p>	<p>4</p>  <p>x 1</p>	<p>5</p>  <p>x 1</p>	
<p>6</p>  <p>x 1</p>	<p>9</p>  <p>x 2</p>	<p>10</p>  <p>x 2</p>	
<p>11</p>  <p>x 2</p>	<p>12</p>  <p>x 1</p>	<p>20</p>  <p>x 1</p>	
<p>21</p>  <p>x 1</p>	<p>24</p>  <p>x 1</p>	<p>25</p>  <p>x 1</p>	
<p>26</p>  <p>x 2</p>	<p>27</p>  <p>x 2</p>	<p>28</p>  <p>x 1</p>	<p>29</p>  <p>x 2</p>
<p>30</p>  <p>x 12</p>			

# Hardwareliste

N623P330286

<p>Ax2 PCS</p>  <p>5/16X50mm</p>	<p>Bx23+1 PCS</p>  <p>5/16X45mm</p>	<p>Cx14+1 PCS</p>  <p>5/16X35mm</p>	<p>Dx6 PCS</p>  <p>5/16X25mm</p>
<p>Ex14+1 PCS</p>  <p>5/16X20mm</p>	<p>Fx4 PCS</p>  <p>1/4X25mm</p>	<p>Gx18+1 PCS</p>  <p>5/16</p>	<p>Hx18+1 PCS</p>  <p>Ø19X5/16</p>
<p>Jx4 PCS</p>  <p>Ø16X1/4</p>	<p>Kx6 PCS</p> 	<p>Lx6 PCS</p> 	<p>Mx14+1 PCS</p>  <p>M5*38mm</p>
<p>Nx2 PCS</p>  <p>M4*12mm</p>	<p>Px16+1 PCS</p>  <p>M4*25mm</p>	<p>Qx1 PC</p>  <p>5/16</p>	<p>Rx1 PC</p>  <p>5/16</p>

DE:Bitte beachten Sie, dass die Formen der Schrauben B und C und D ähnlich sind. Bitte installieren Sie entsprechend der Anleitung und unterscheiden Sie sie!

UK>Please note that the shapes of screws B and C and D are similar. Please install according to the instructions and distinguish them!

FR:Notez que les vis B et C et D ont des formes similaires. Veuillez les installer en suivant les instructions pour les séparer!

**DE:** Vor dem Einbau die Schrauben in die Löcher stecken und festziehen, aber nicht bis 100%, 70% bis 80% anziehen reicht aus. Schließlich, nachdem alle Schrauben installiert sind, ziehen Sie alle Schrauben auf 100%.

Wenn Sie auf diese Probleme stoßen, wie z. B. Fehlausrichtung der Löcher oder Unfähigkeit, bestimmte Teile zu installieren, überprüfen Sie bitte, ob die Schrauben korrekt verwendet werden und passen Sie die Dichtigkeit der Schrauben an.

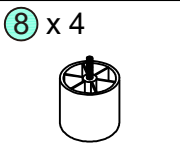
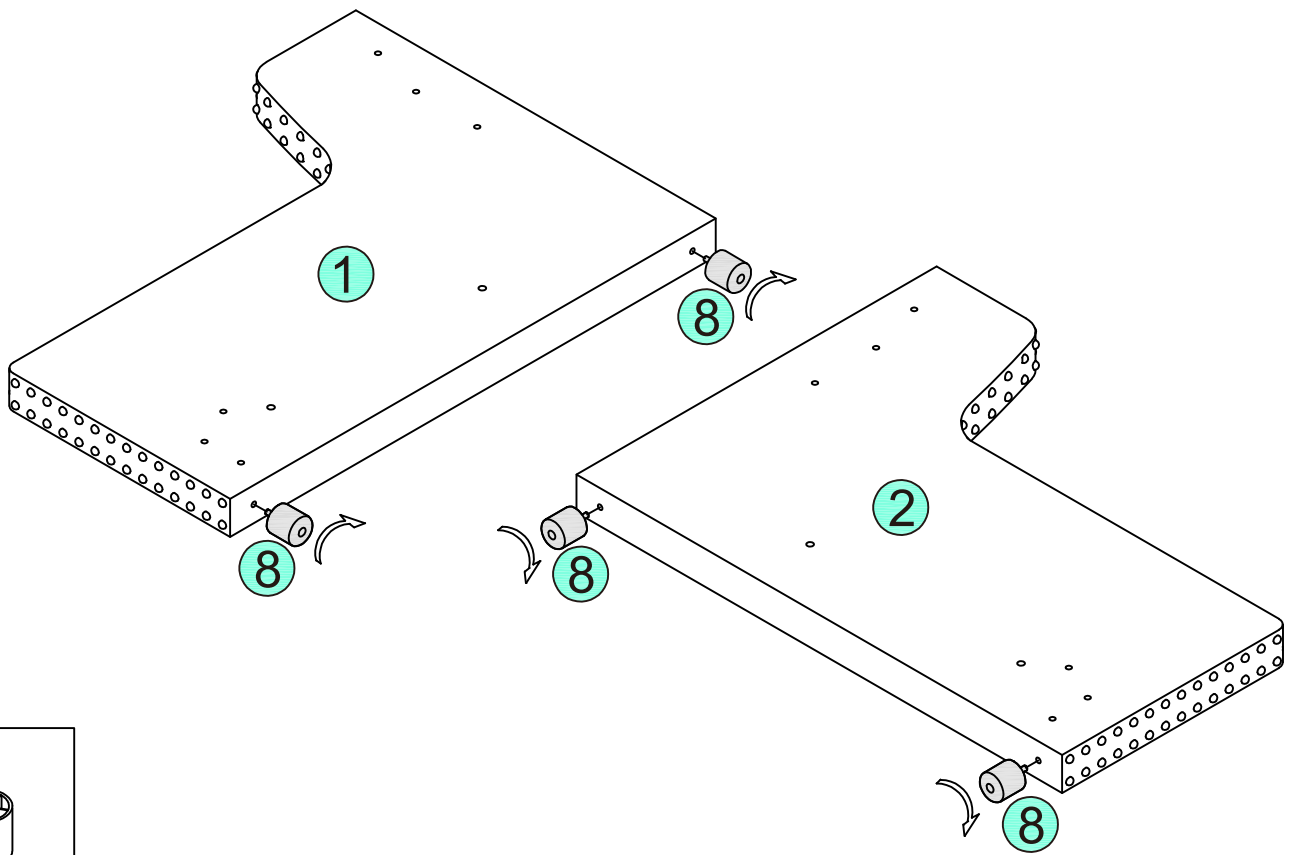
**UK:** Before installation, insert the screws into the holes and tighten them, but do not tighten them to 100%, 70% to 80% is sufficient. Finally, after all screws are installed, tighten all screws to 100%.

If you encounter these issues, such as if the holes cannot be aligned or some parts cannot be installed, please check if the screws are used correctly and adjust the tightness of the screws.

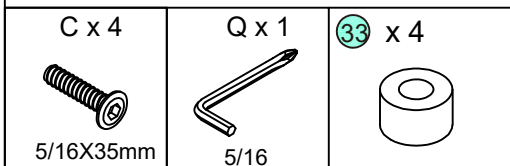
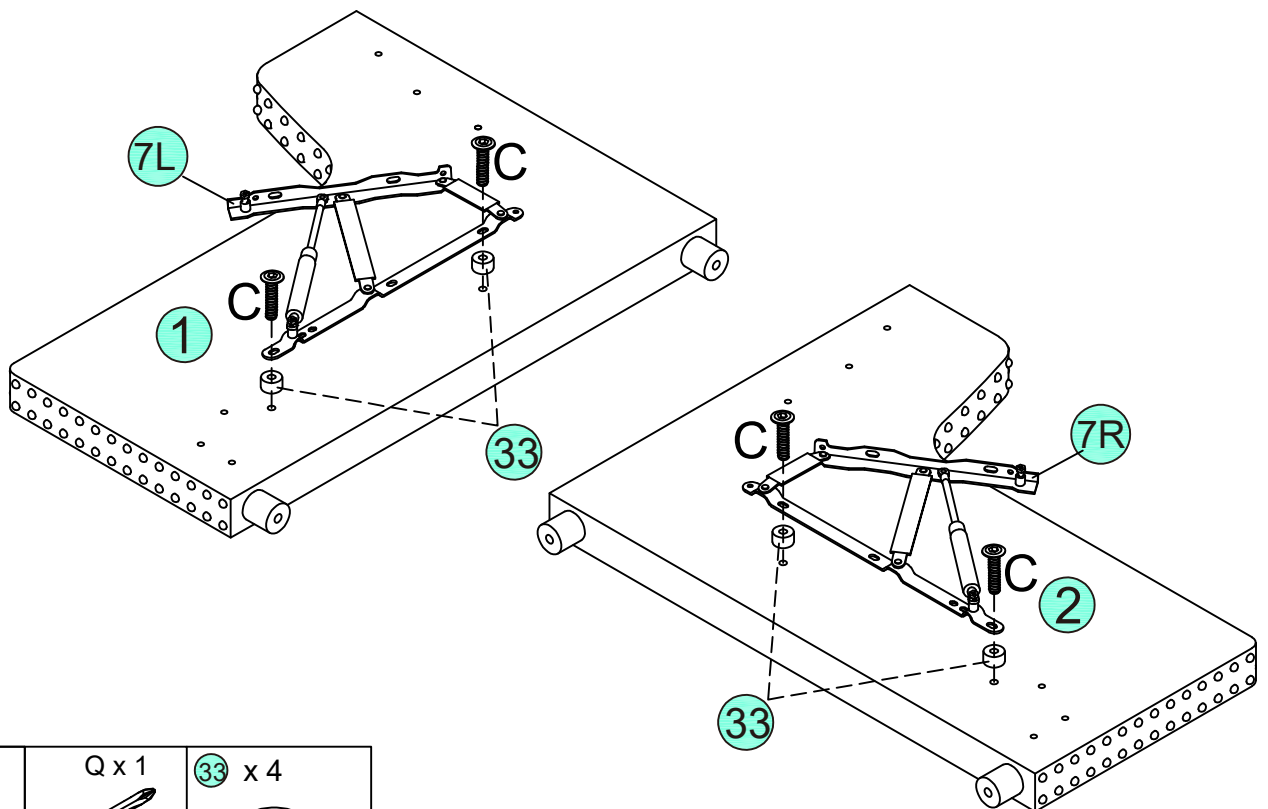
**FR:** Insérer la vis dans le trou avant la fin de l'assemblage, serrer la vis, mais ne pas serrer à 100%, 70% ~ 80% est correct. Enfin, une fois que toutes les vis sont bien serrées, toutes les vis sont serrées à 100%.

Si vous rencontrez ces problèmes, par exemple si les trous ne sont pas alignés ou si certaines pièces ne peuvent pas être montées, vérifiez que les vis sont utilisées correctement et Ajustez leur serrage.

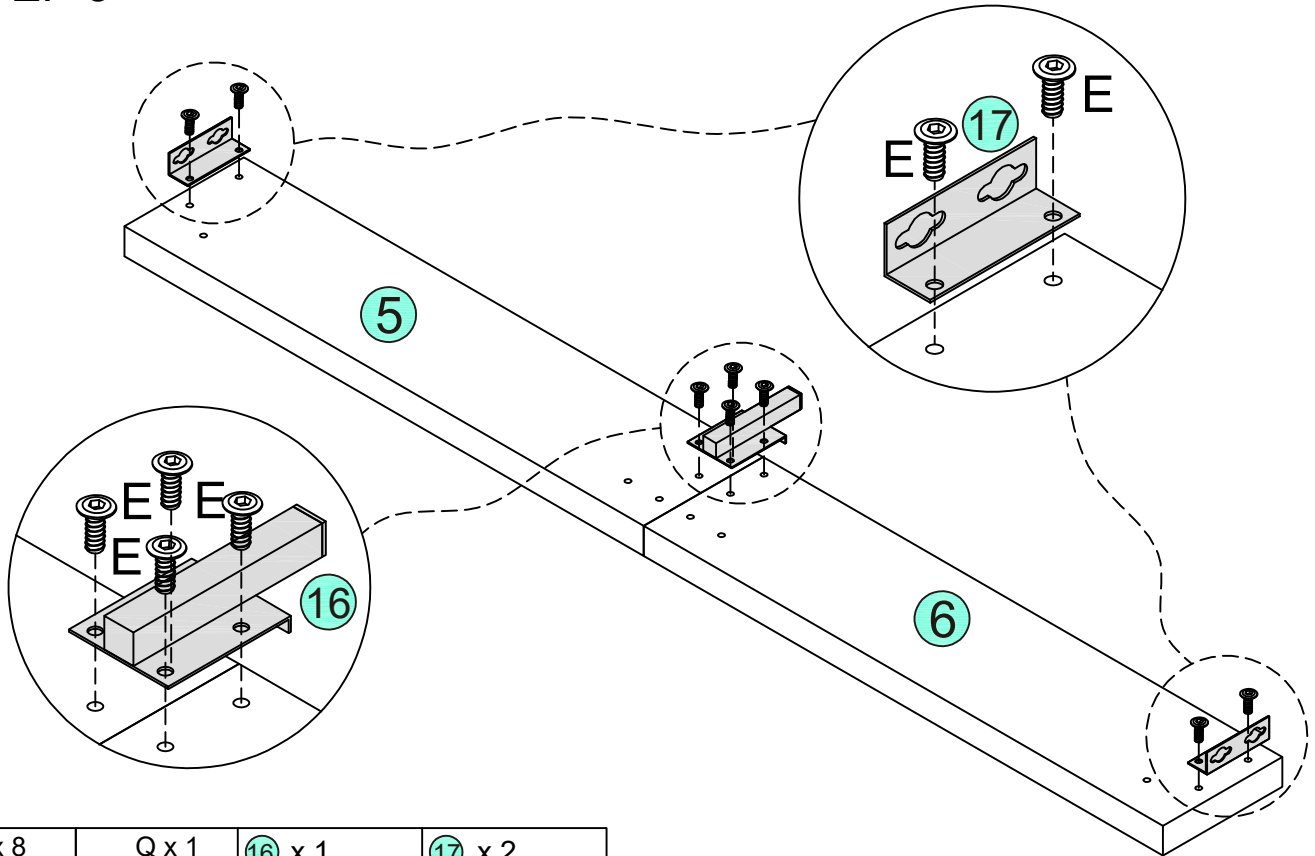
# STEP 1


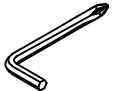
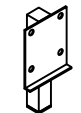
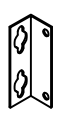


# STEP 2

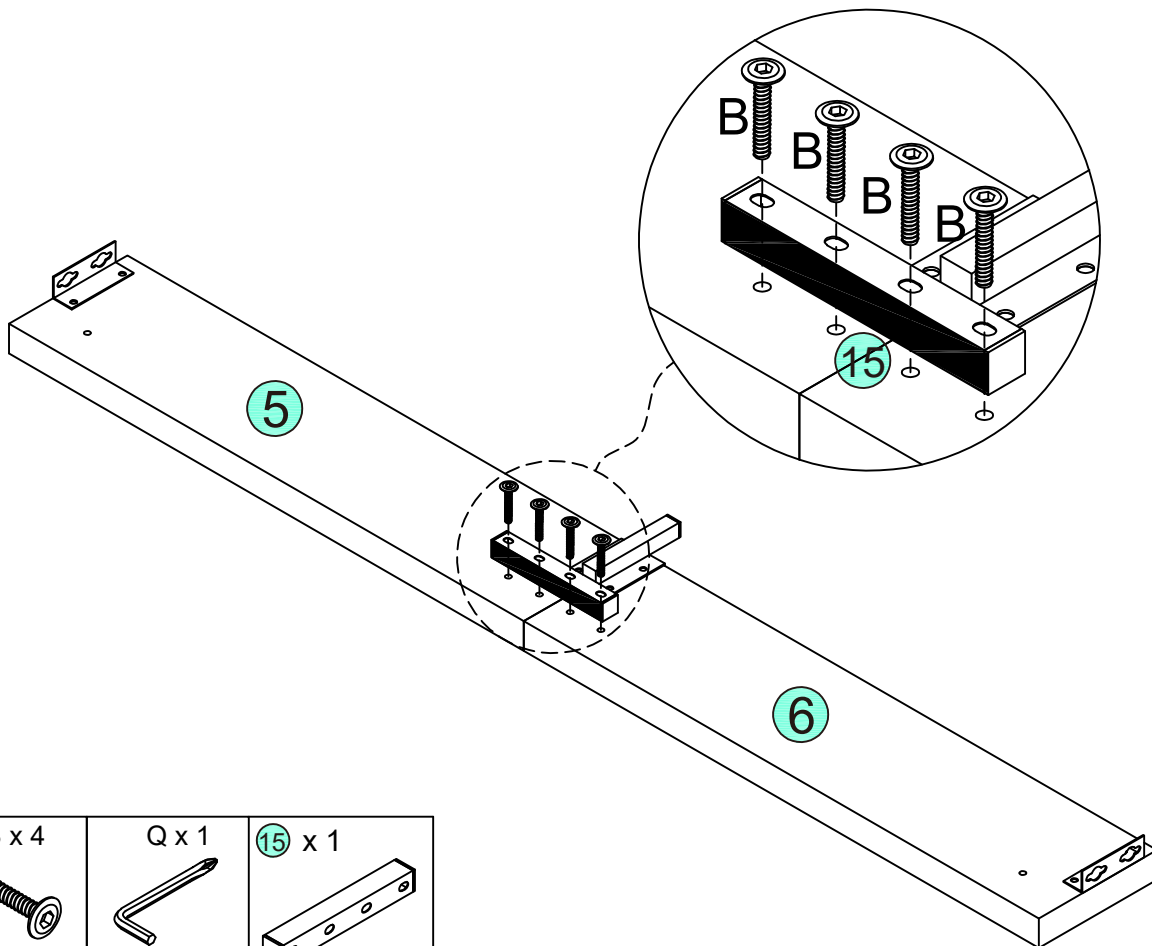




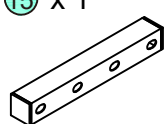
### STEP 3



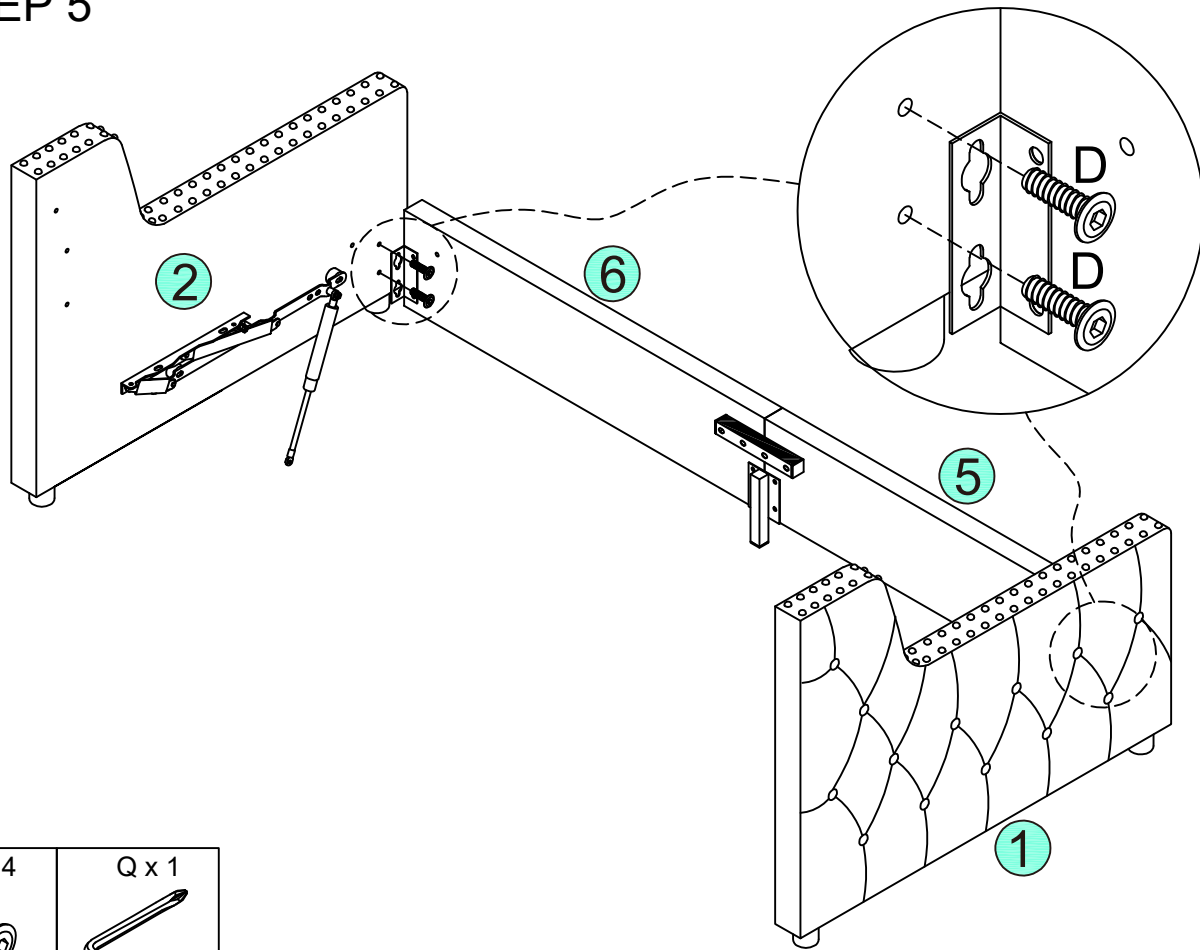
Ex 8	Q x 1	16 x 1	17 x 2
			
5/16X20mm	5/16		


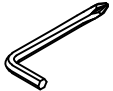
### STEP 4



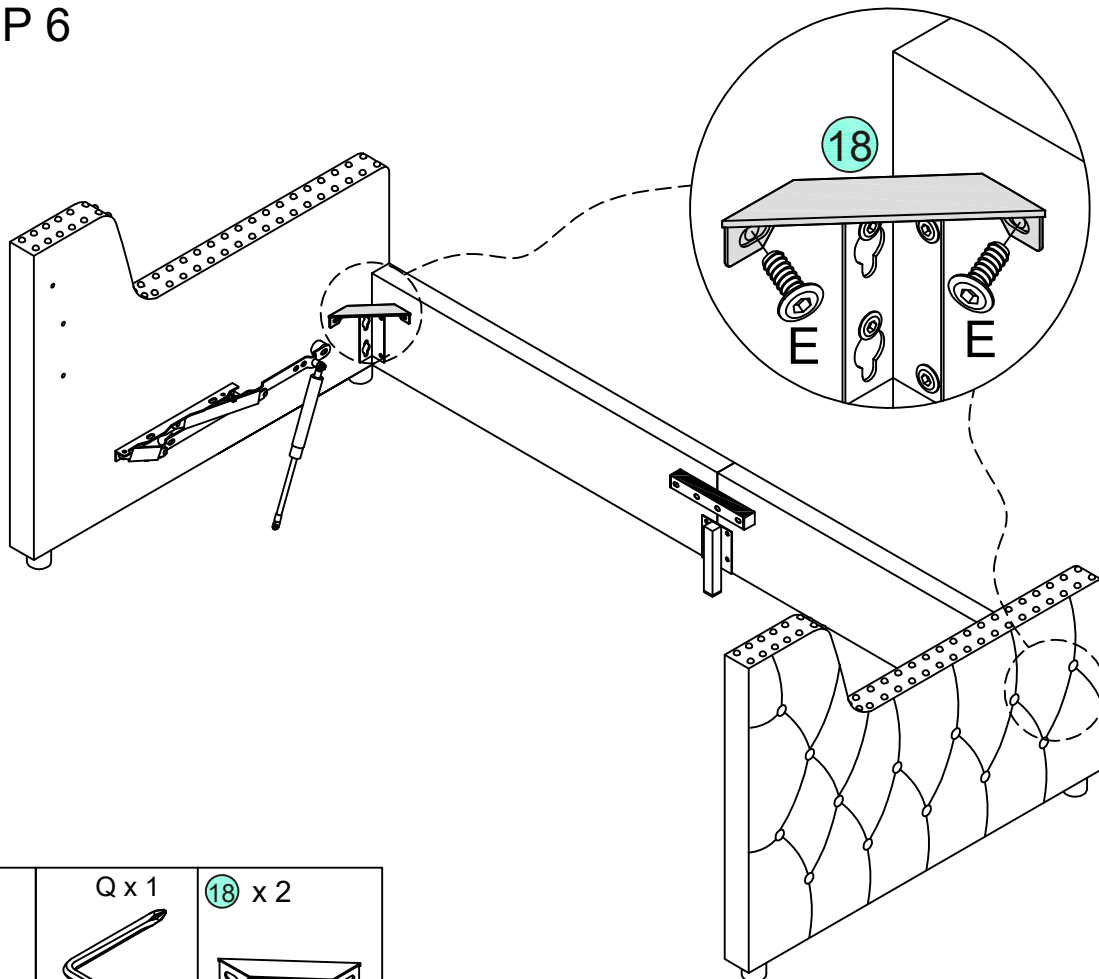
B x 4	Q x 1	15 x 1
		
5/16X45mm	5/16	


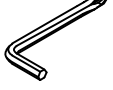
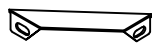
# STEP 5



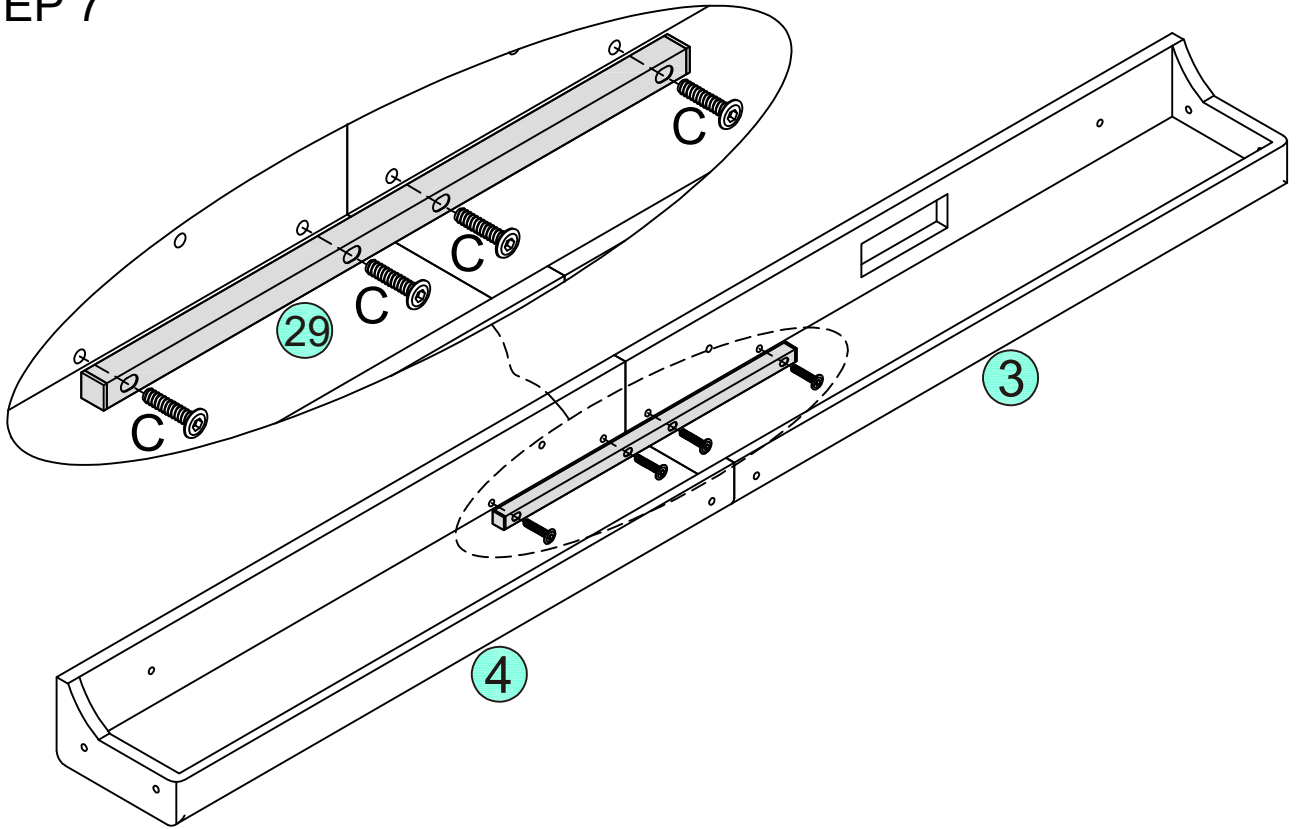
D x 4	Q x 1
	
5/16X25mm	5/16


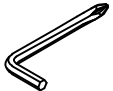
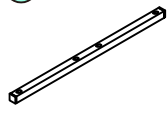
# STEP 6



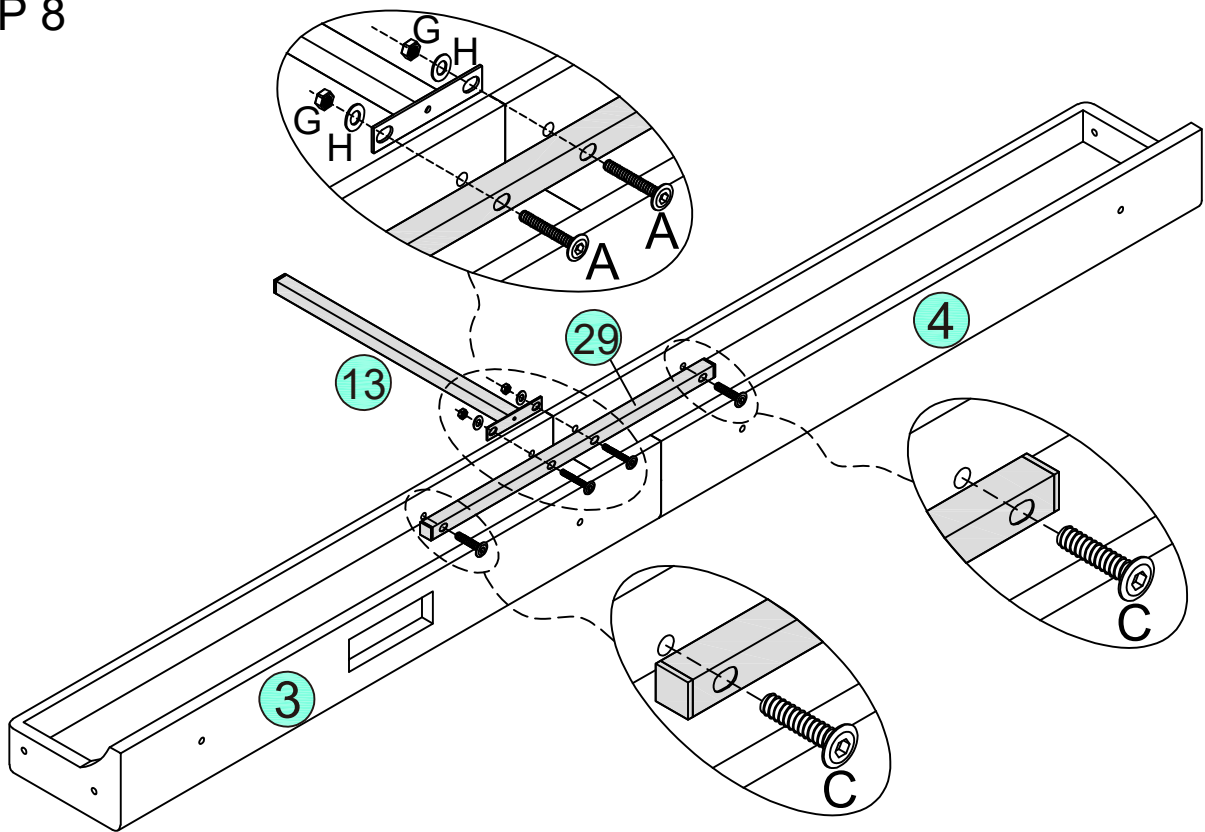
E x 4	Q x 1	18 x 2
		
5/16X20mm	5/16	






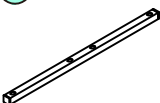
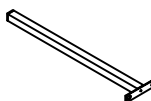
# STEP 7



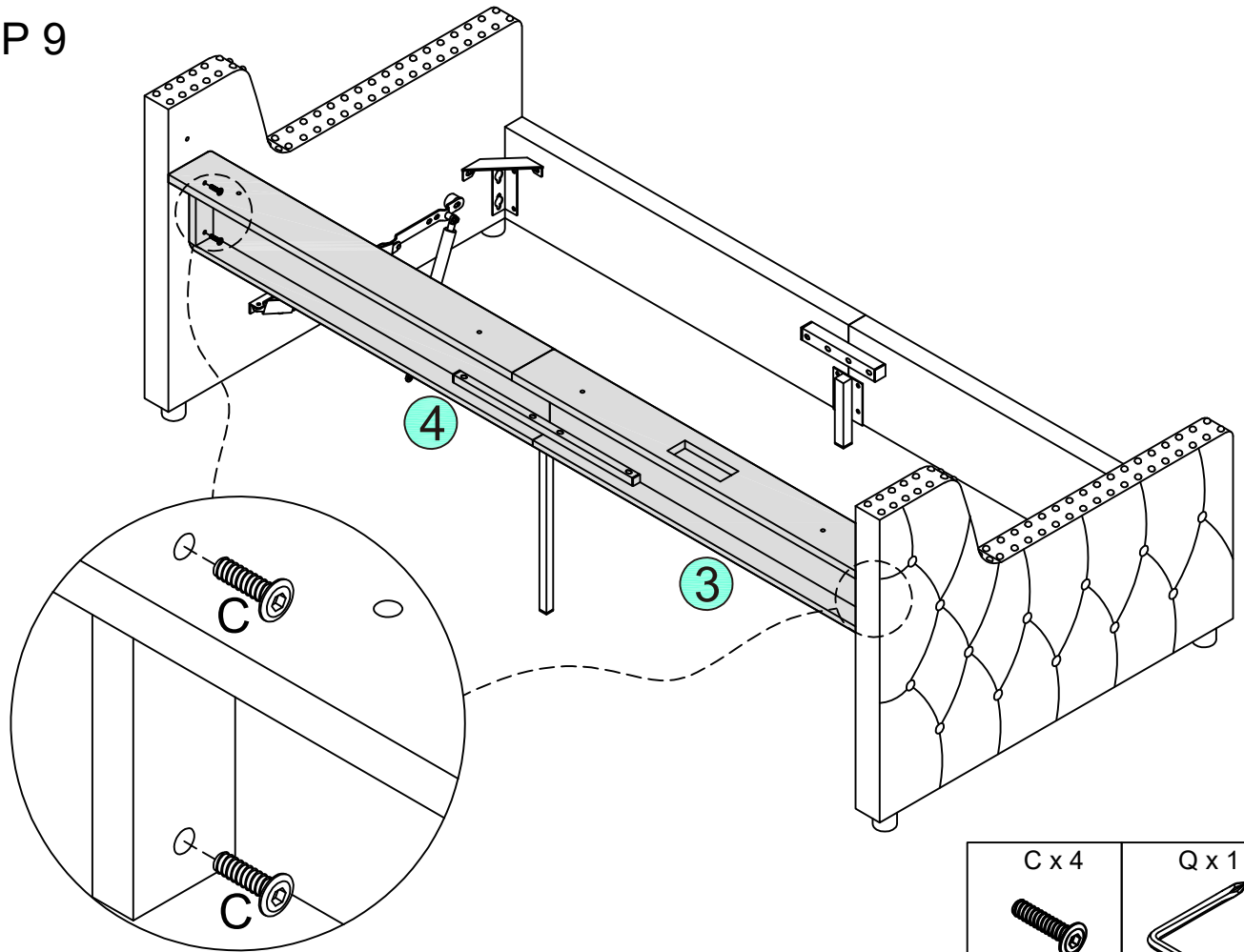
C x 4	Q x 1	29 x 1
		
5/16X35mm	5/16	


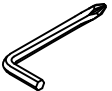
# STEP 8



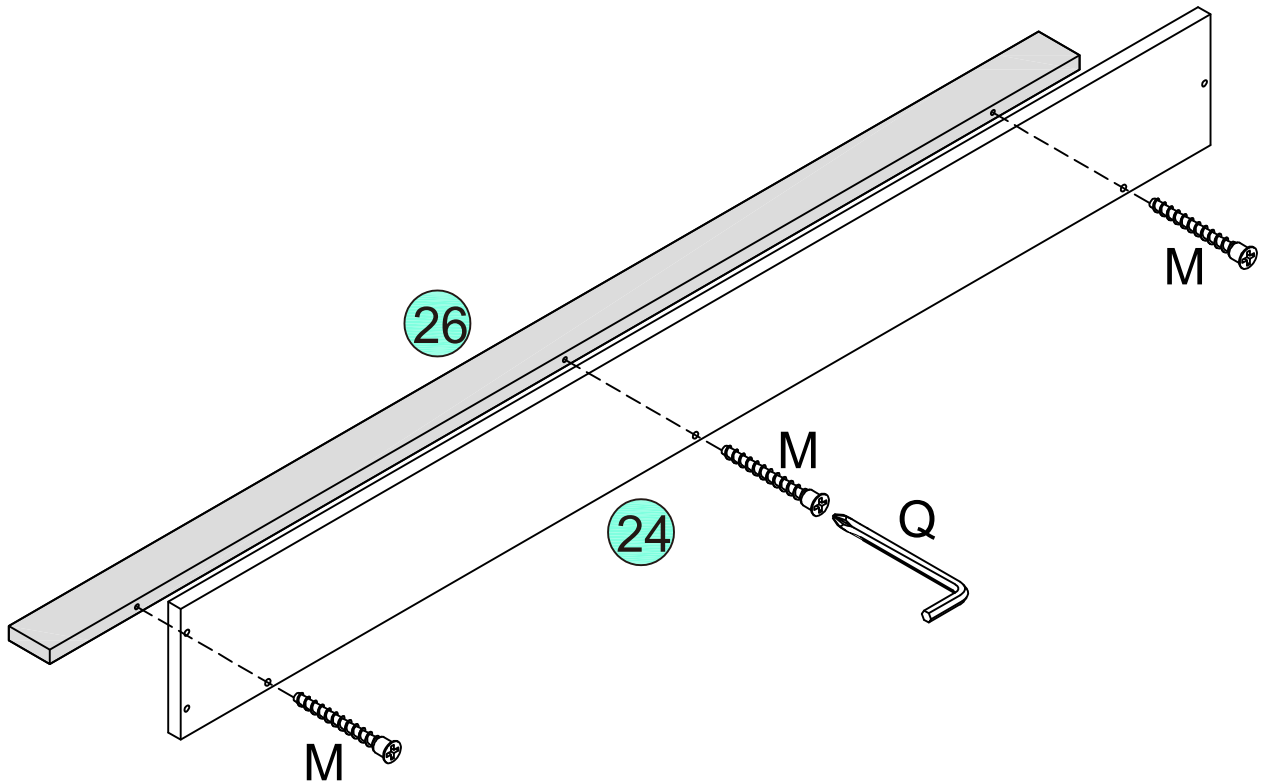
A x 2	C x 2	G x 2	H x 2	Q x 1	29 x 1	13 x 1
						
5/16X50mm	5/16X35mm	5/16	Ø19X5/16	5/16		

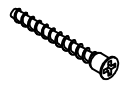

# STEP 9



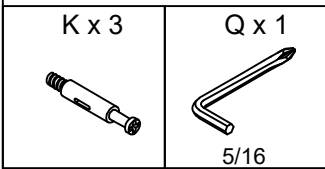
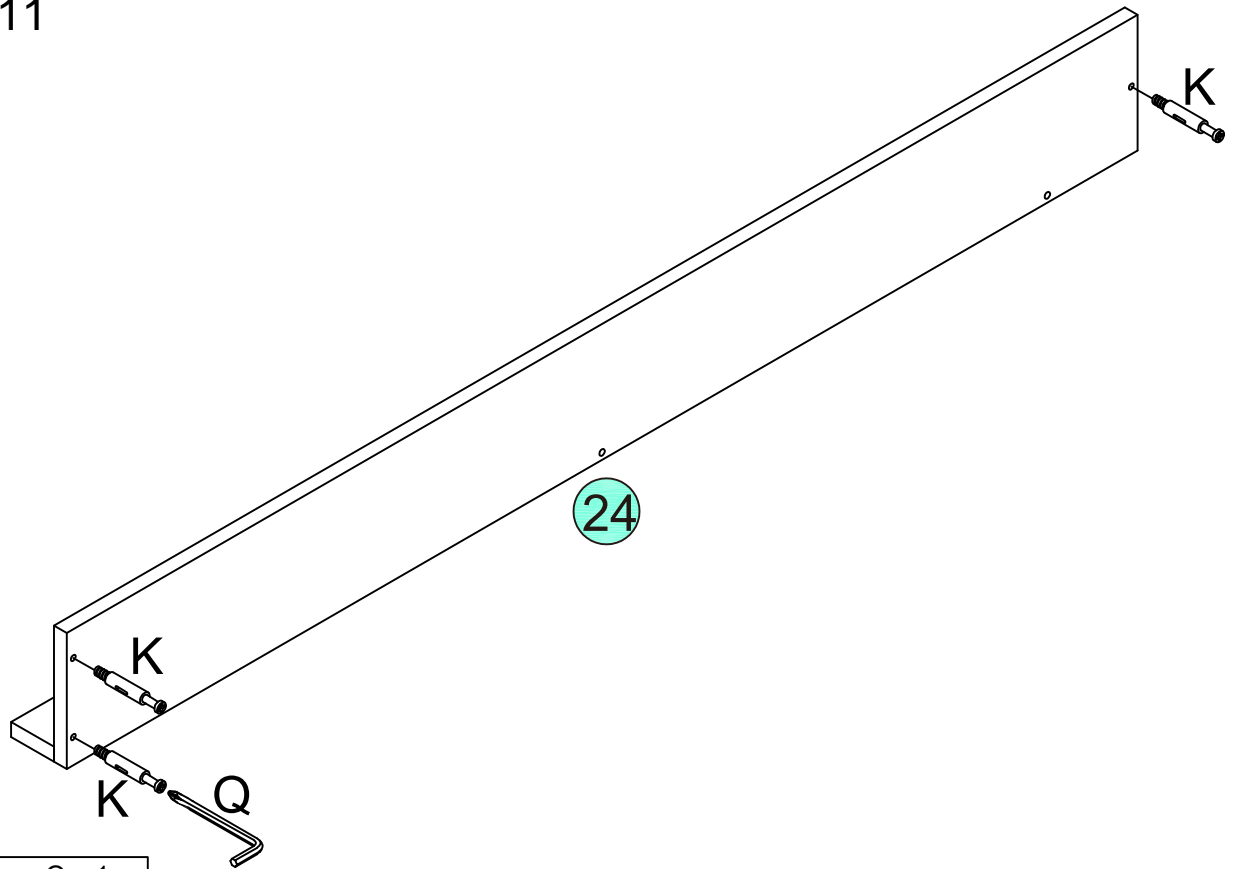
C x 4	Q x 1
	
5/16X35mm	5/16

# STEP 10

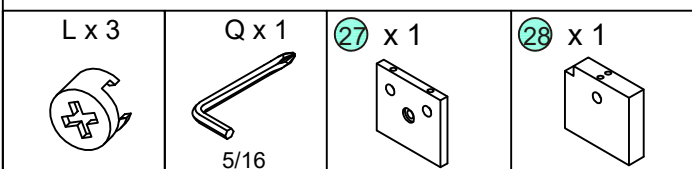
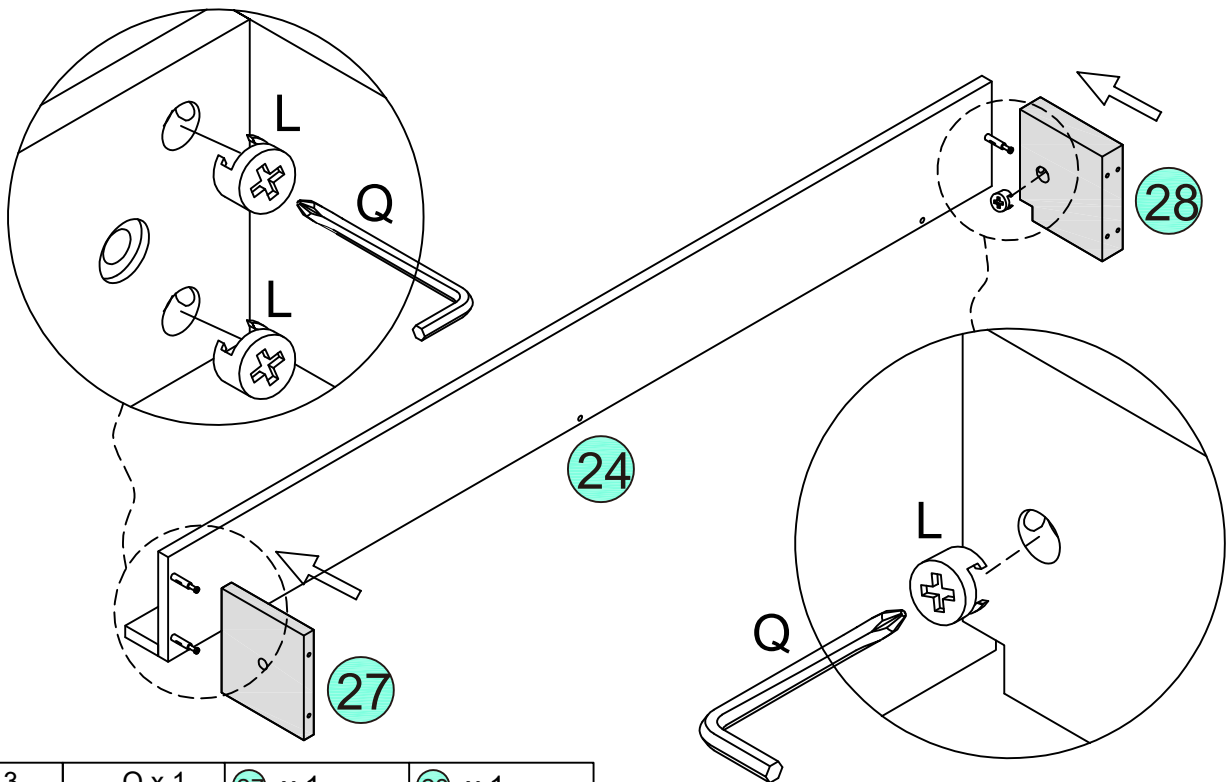


M x 3	Q x 1
	
M5X38mm	5/16

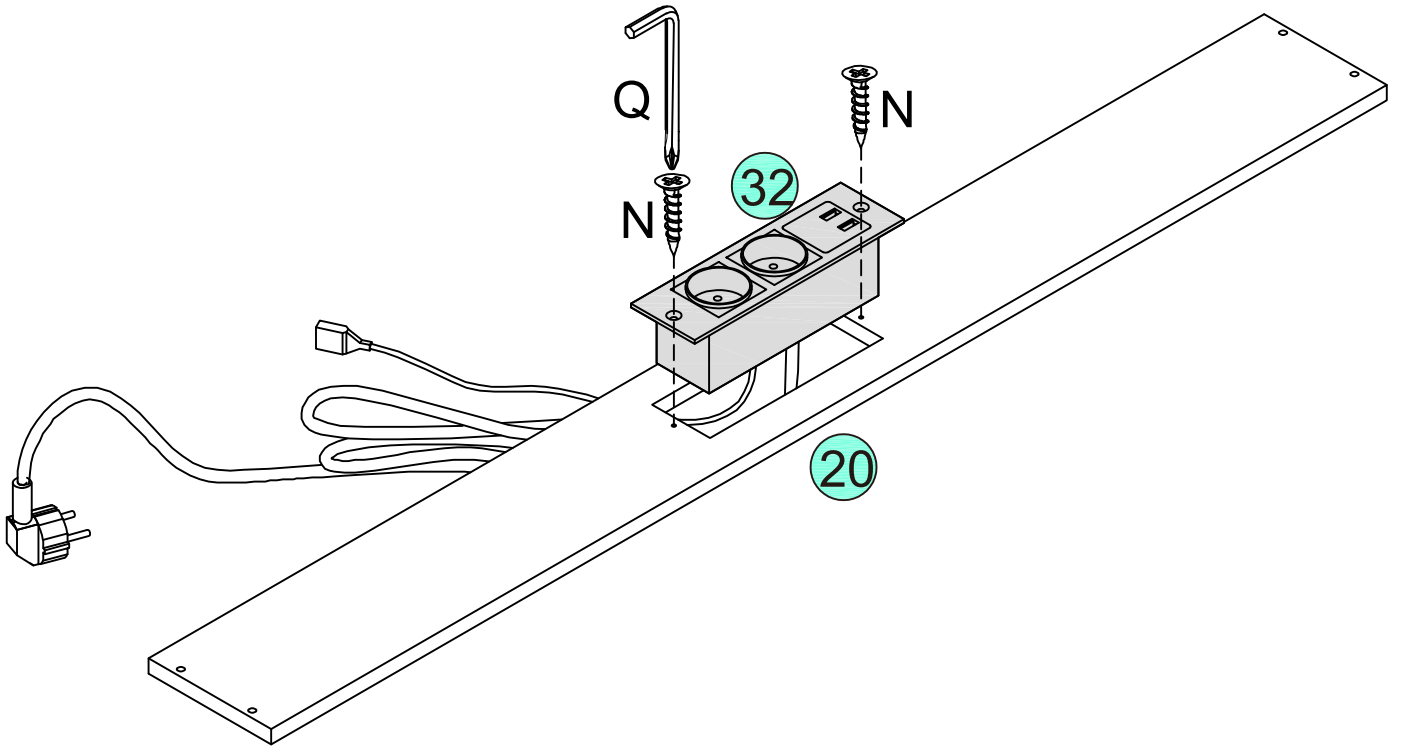
# STEP 11






# STEP 12

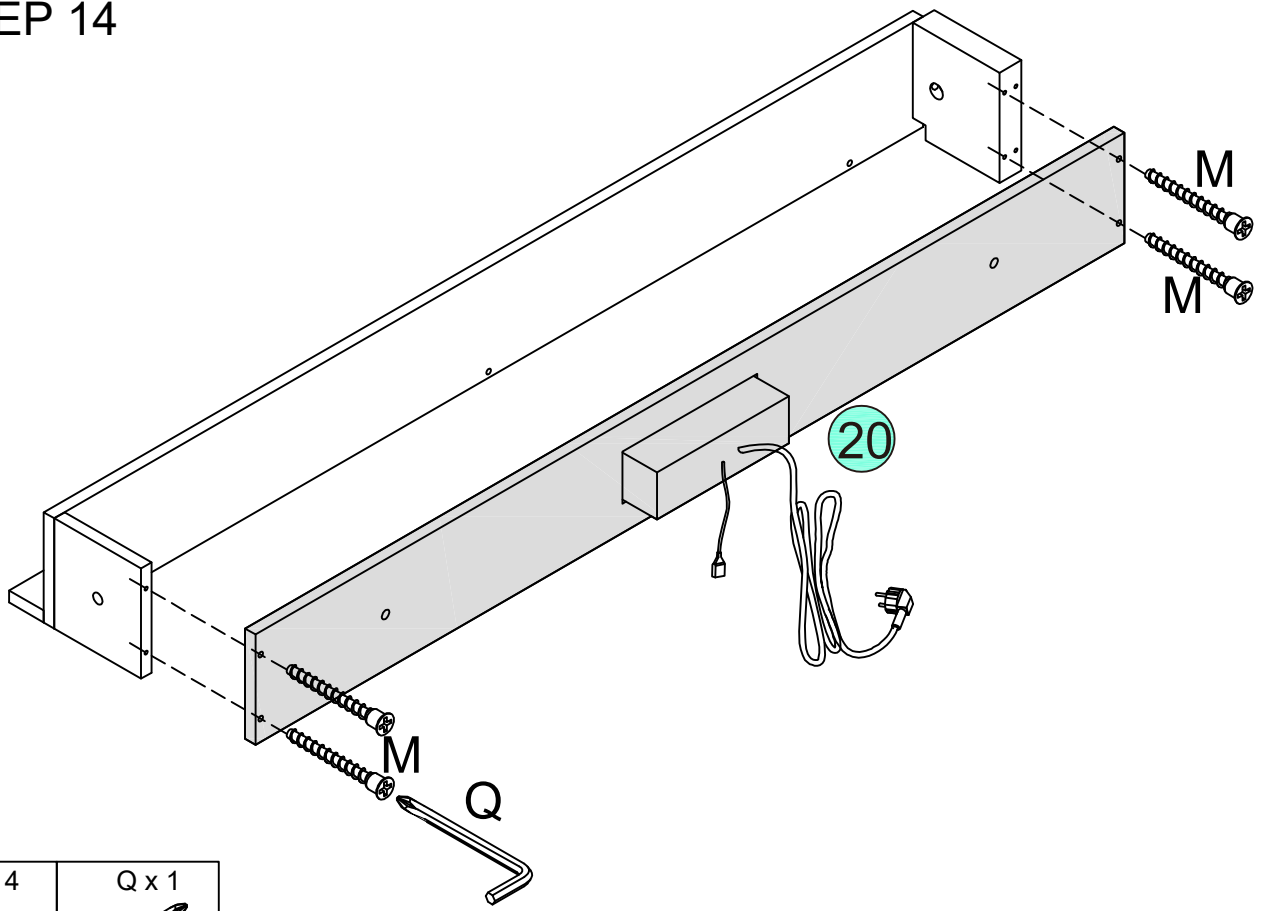




# STEP 13



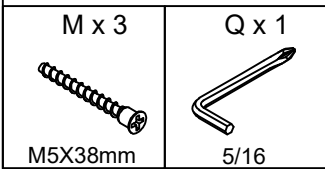
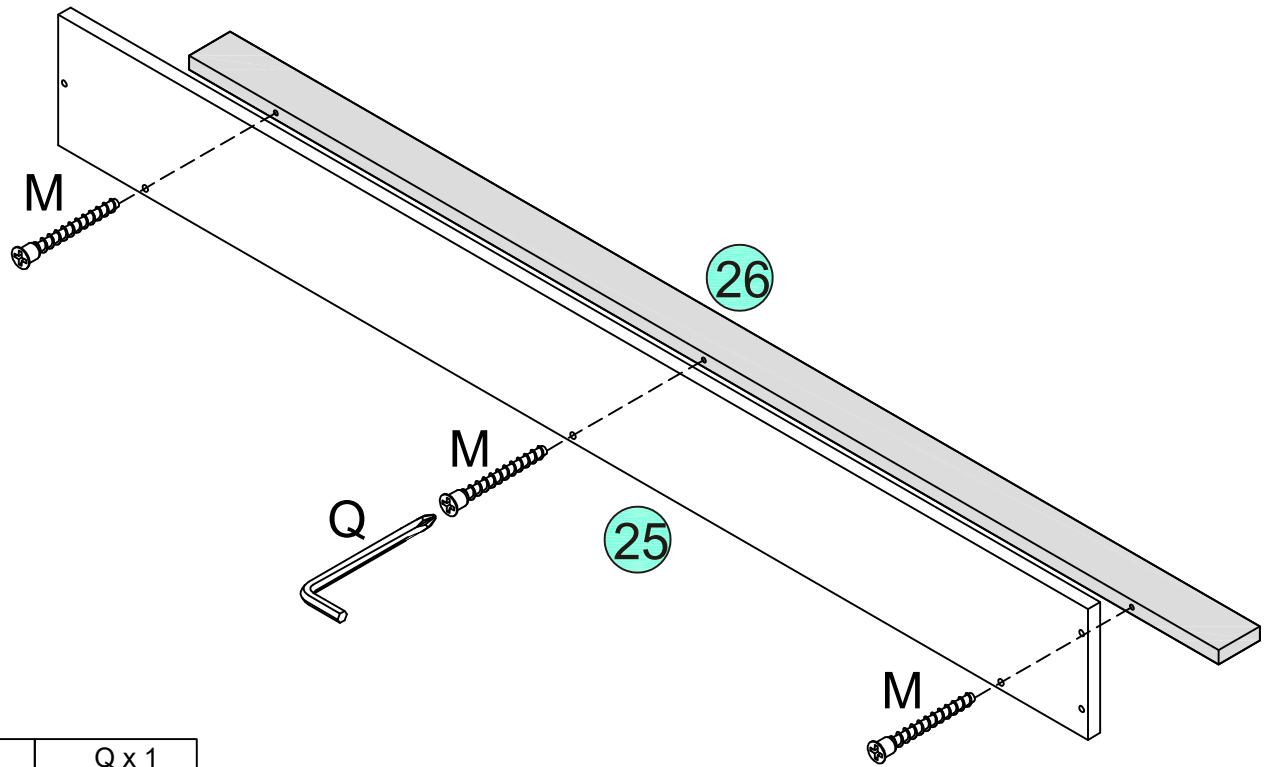
N X 2	Q X 1	32 x 1
		
M4*12mm	5/16	

# STEP 14

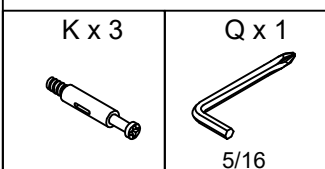
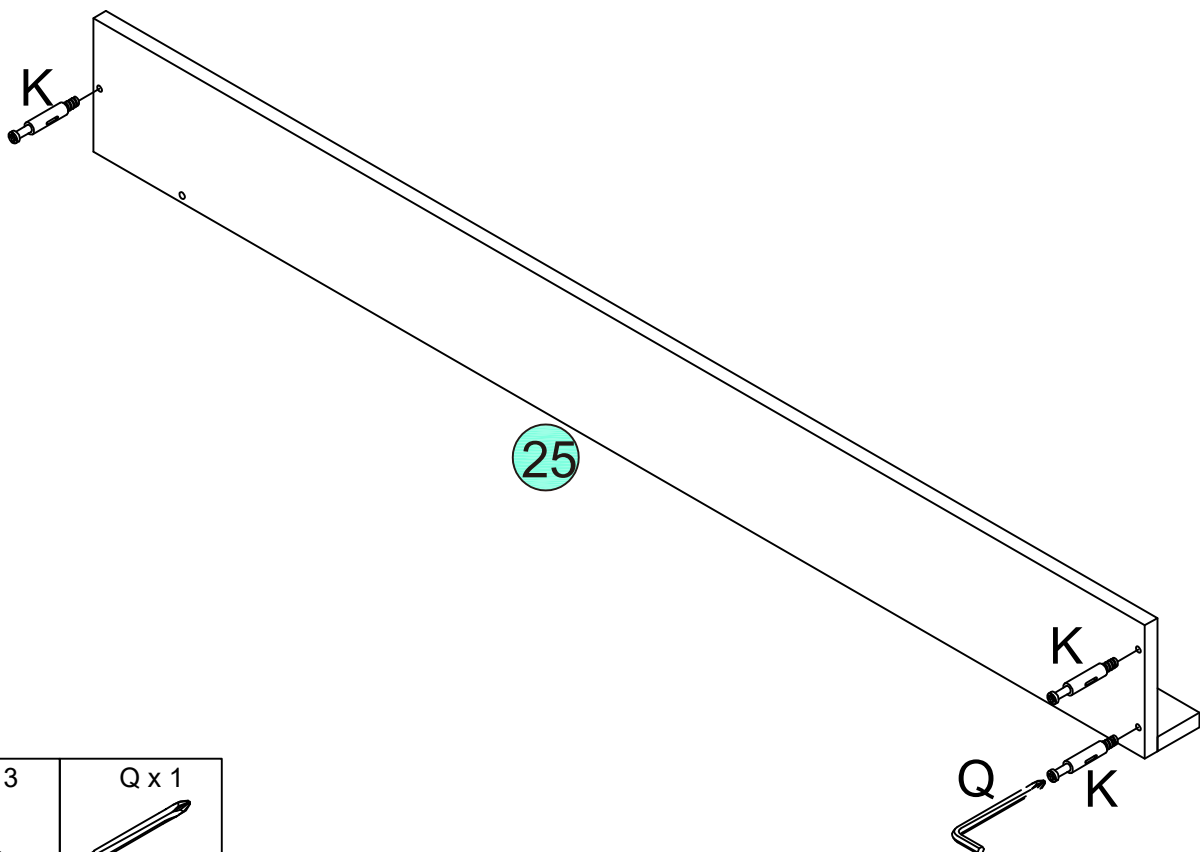


M x 4	Q x 1
	
M5X38mm	5/16

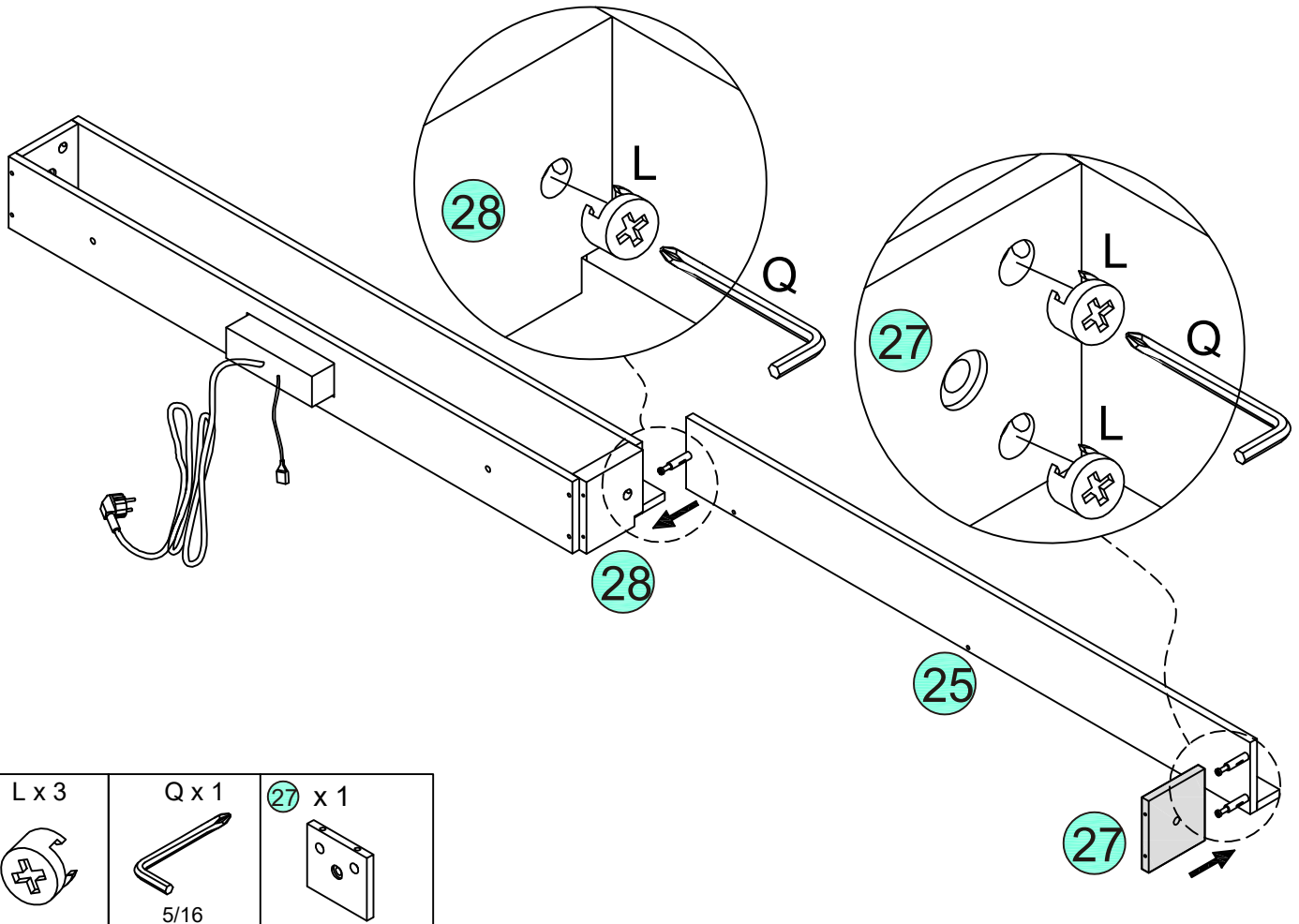
# STEP 15



# STEP 16

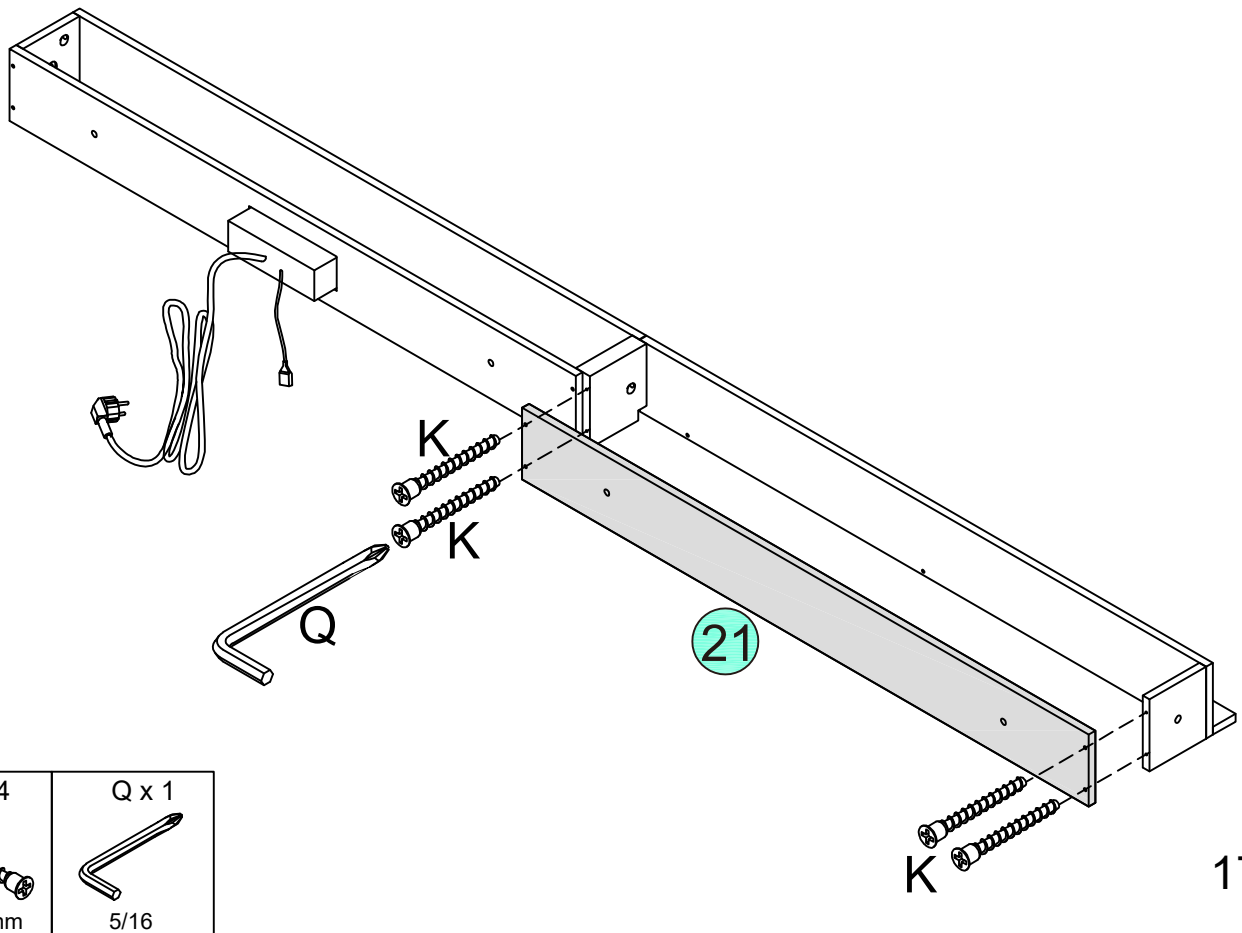


# STEP 17



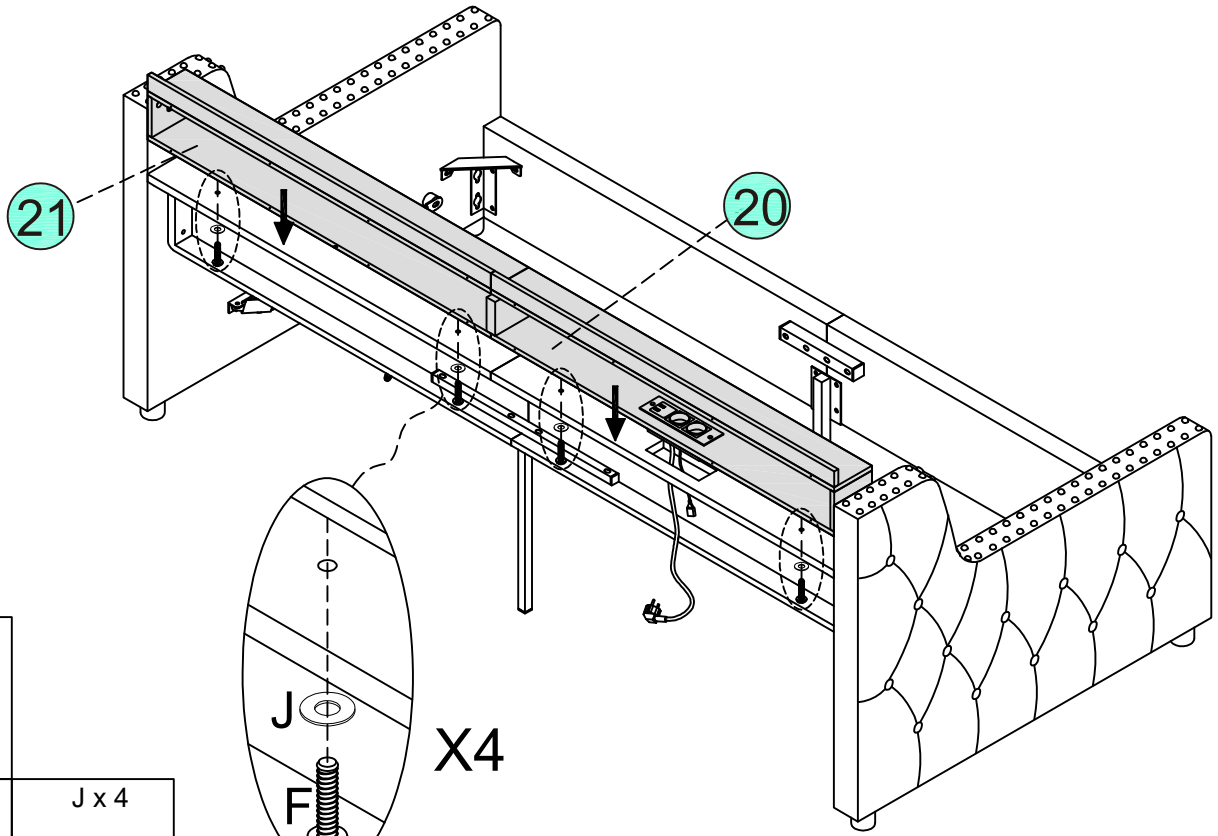
L x 3	Q x 1	27 x 1
	5/16	

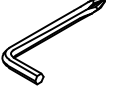


# STEP 18



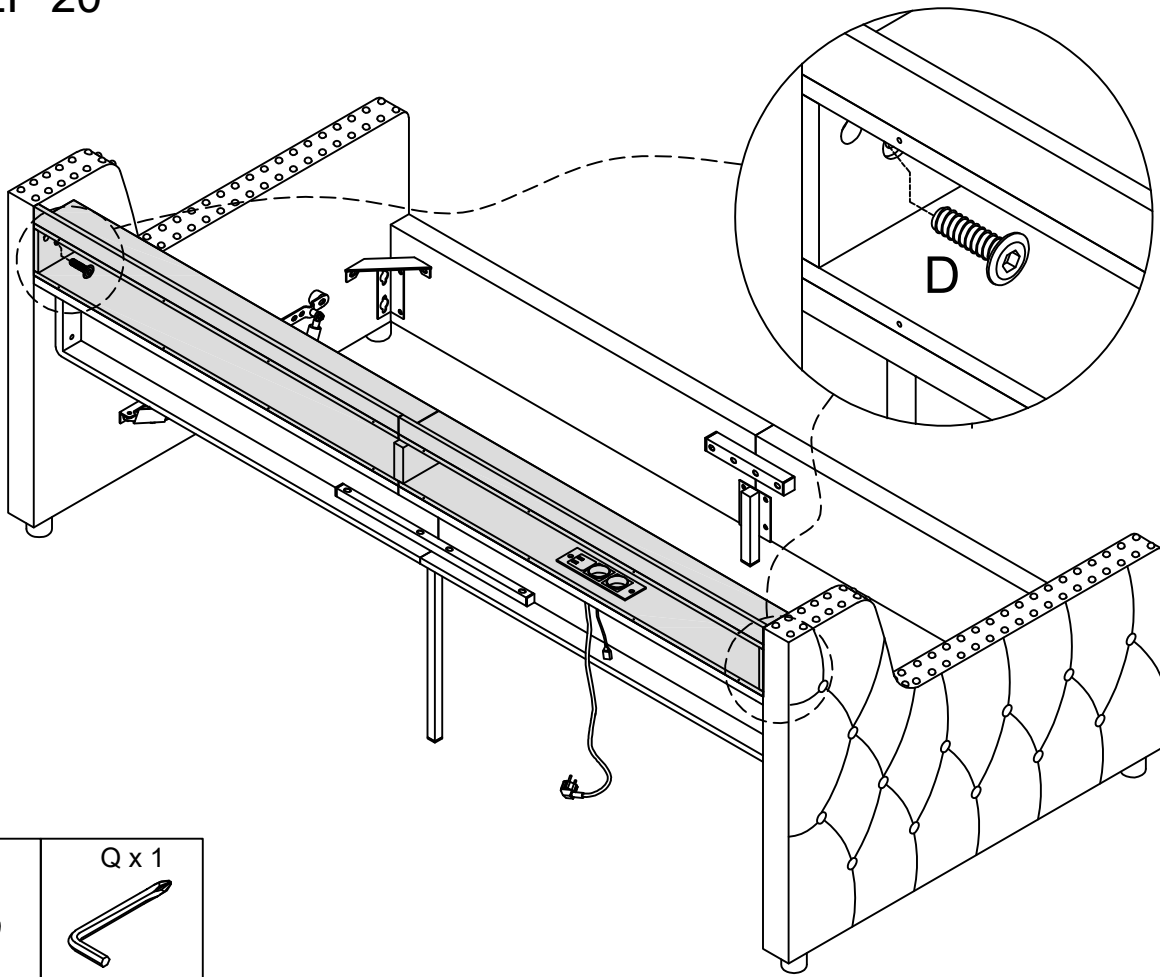
K x 4	Q x 1
M5X38mm	5/16


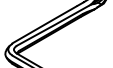
# STEP 19



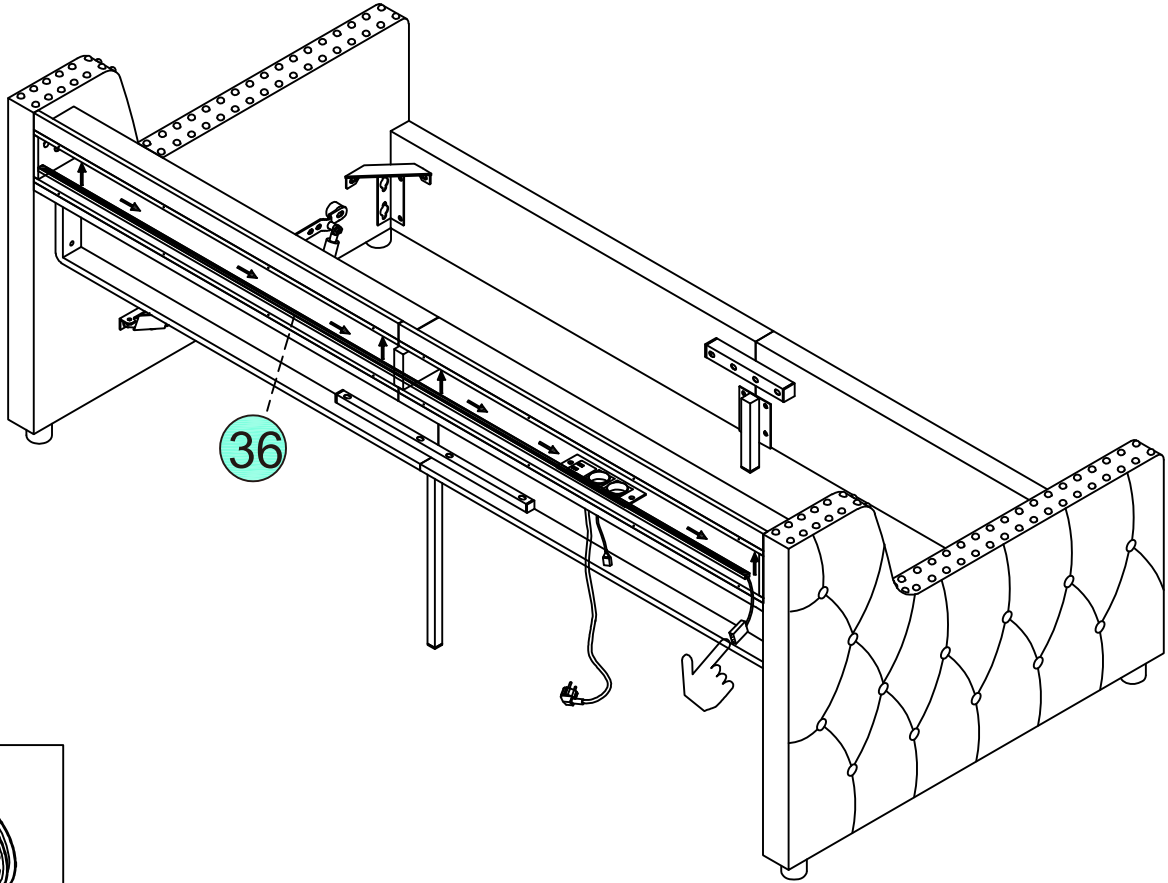
Q x 1	
	
5/16	
F x 4	J x 4
	
1/4X25mm	Ø16X1/4

# STEP 20



D x 2	Q x 1
	
5/16X25mm	5/16

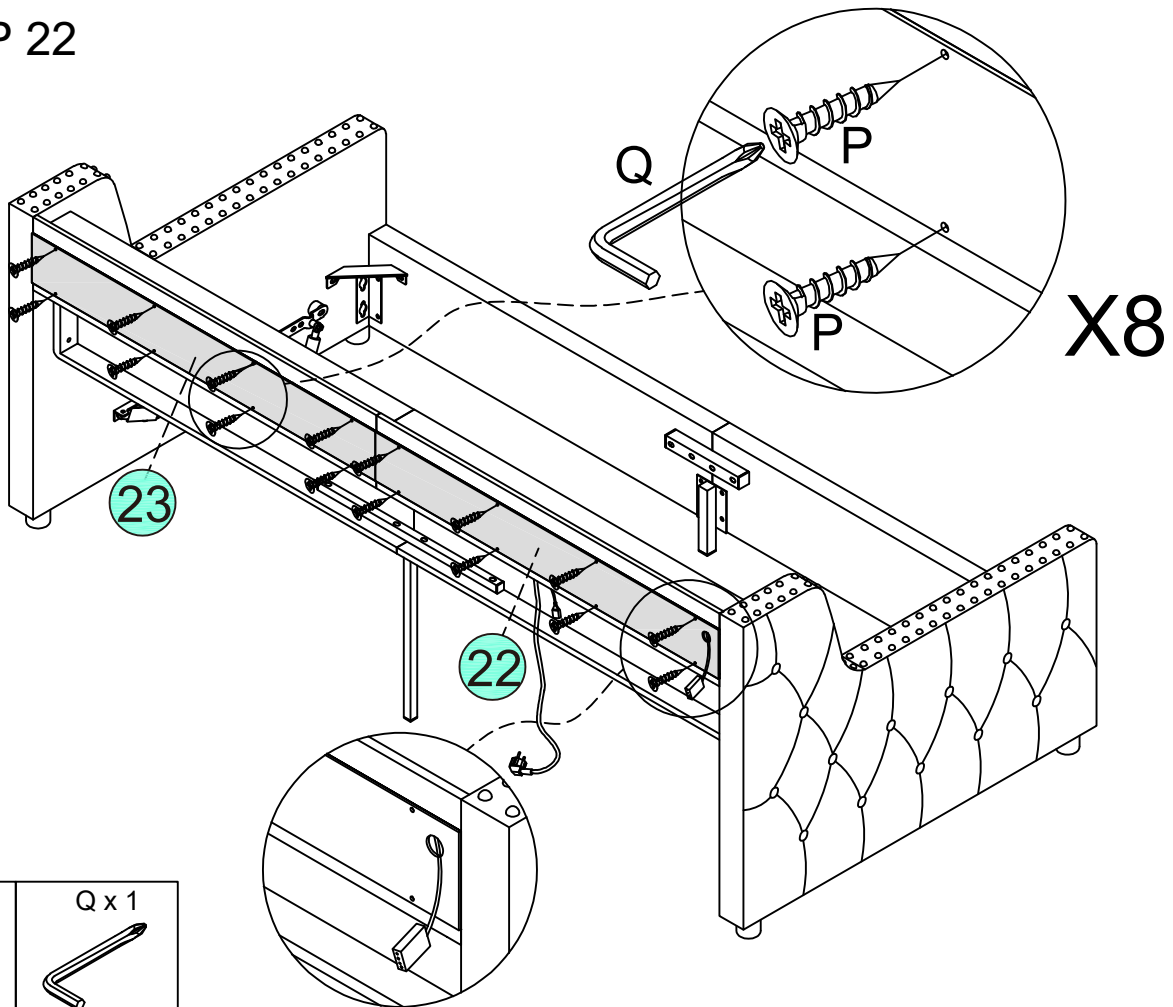
# STEP 21



36 x 1



# STEP 22



X8

P X 16



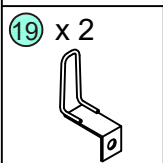
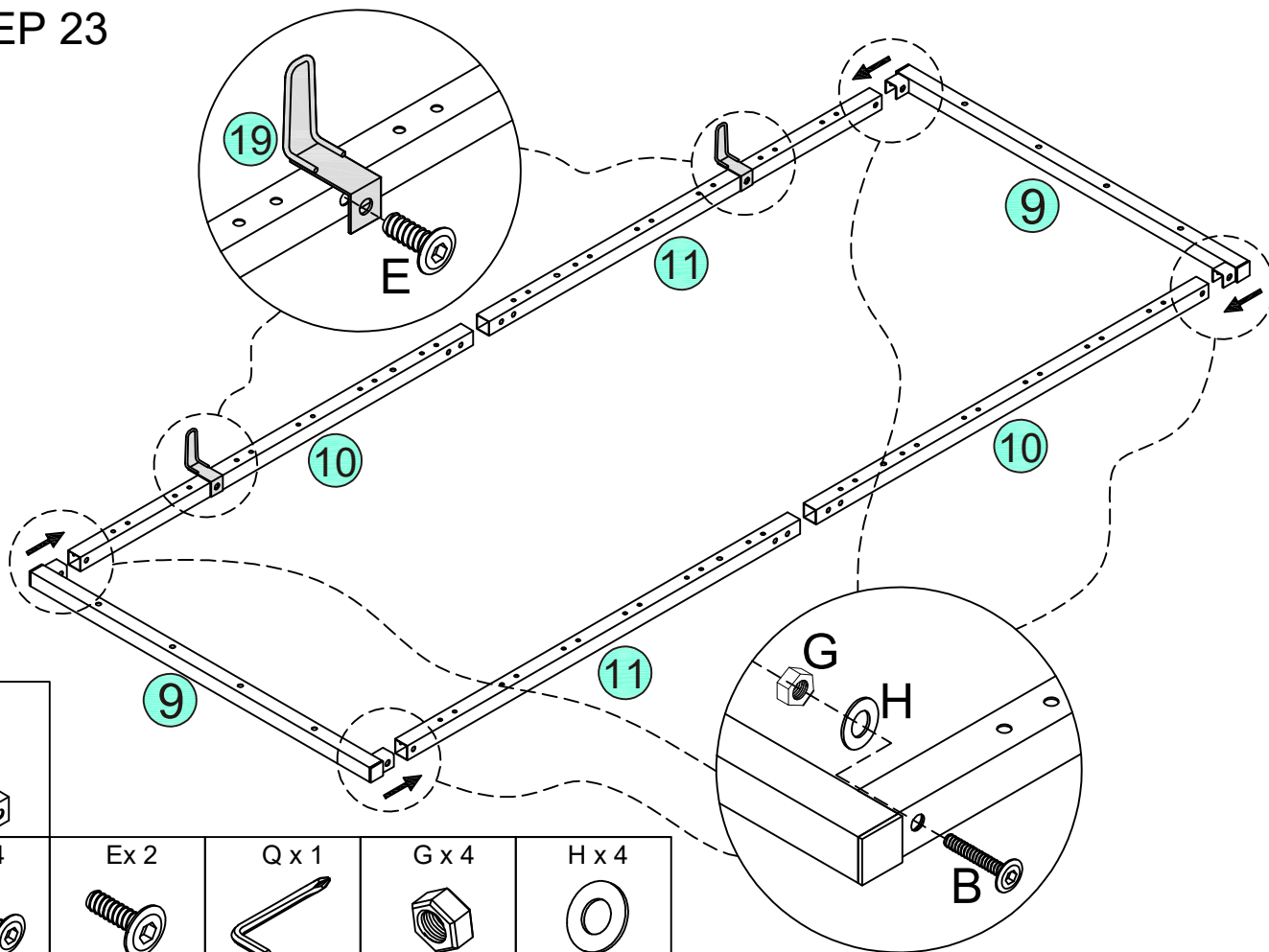
M4\*25mm



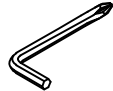
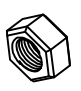
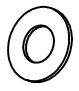
Q x 1



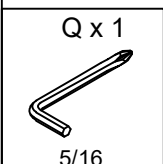
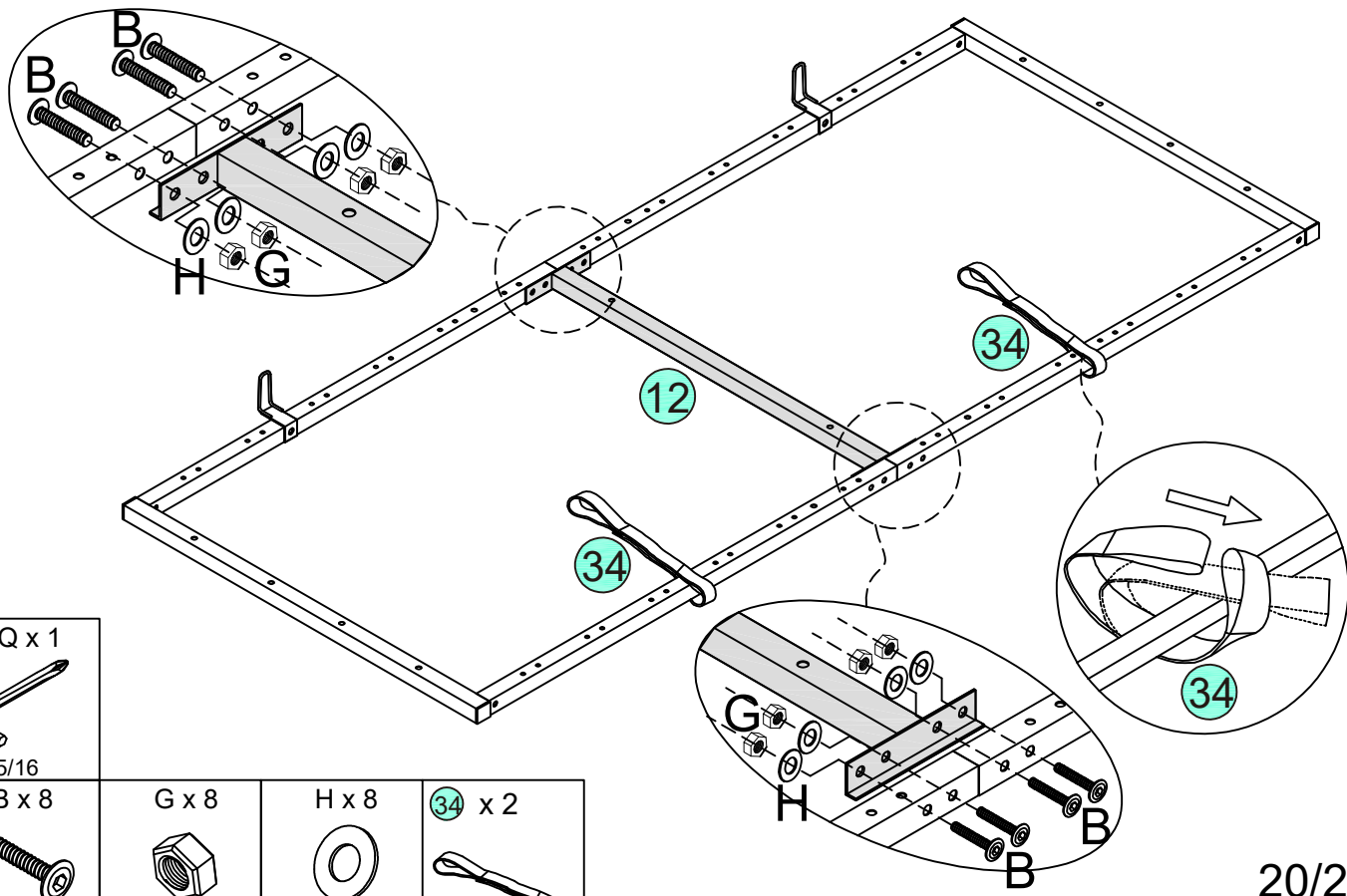
5/16


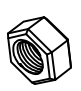
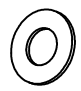

# STEP 23



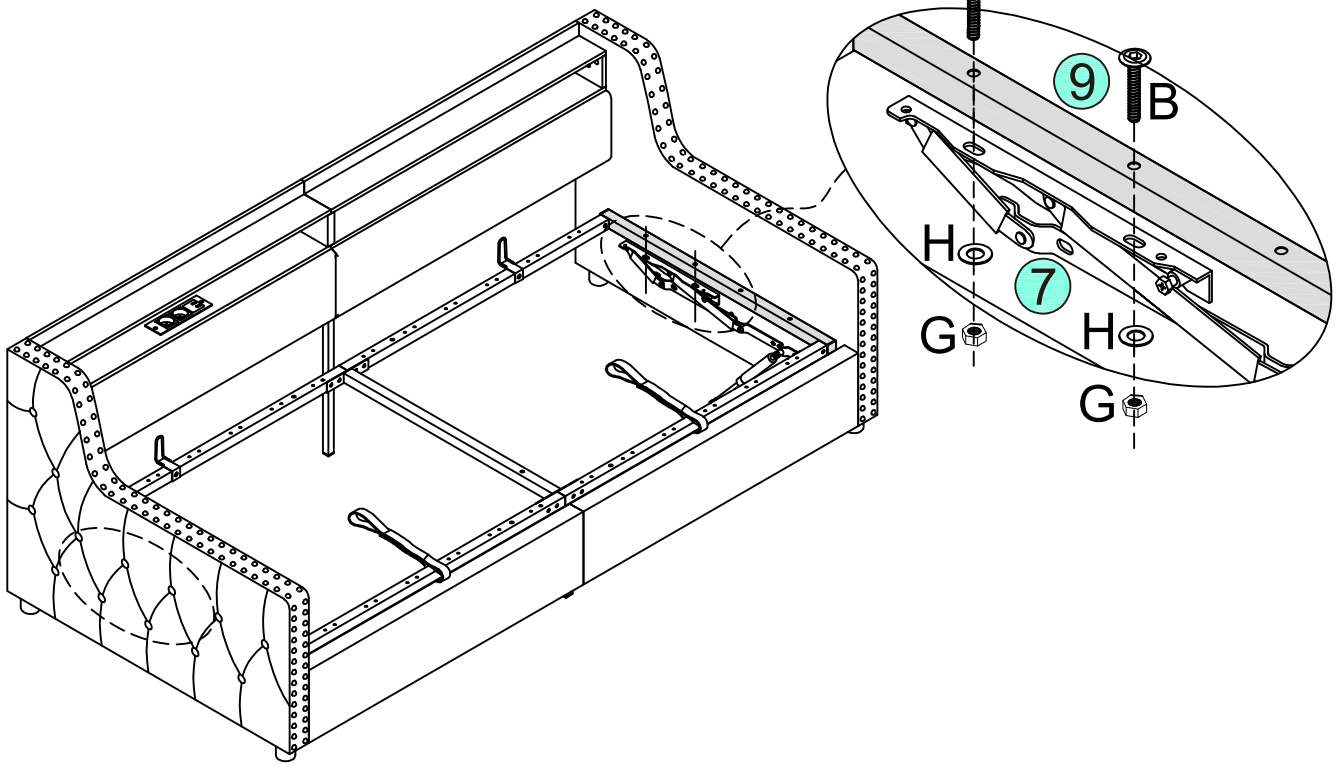
B x 4  5/16X45mm	E x 2  5/16X20mm	Q x 1  5/16	G x 4  5/16	H x 4  Ø19X5/16
---	--	---	---	---




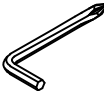
# STEP 24



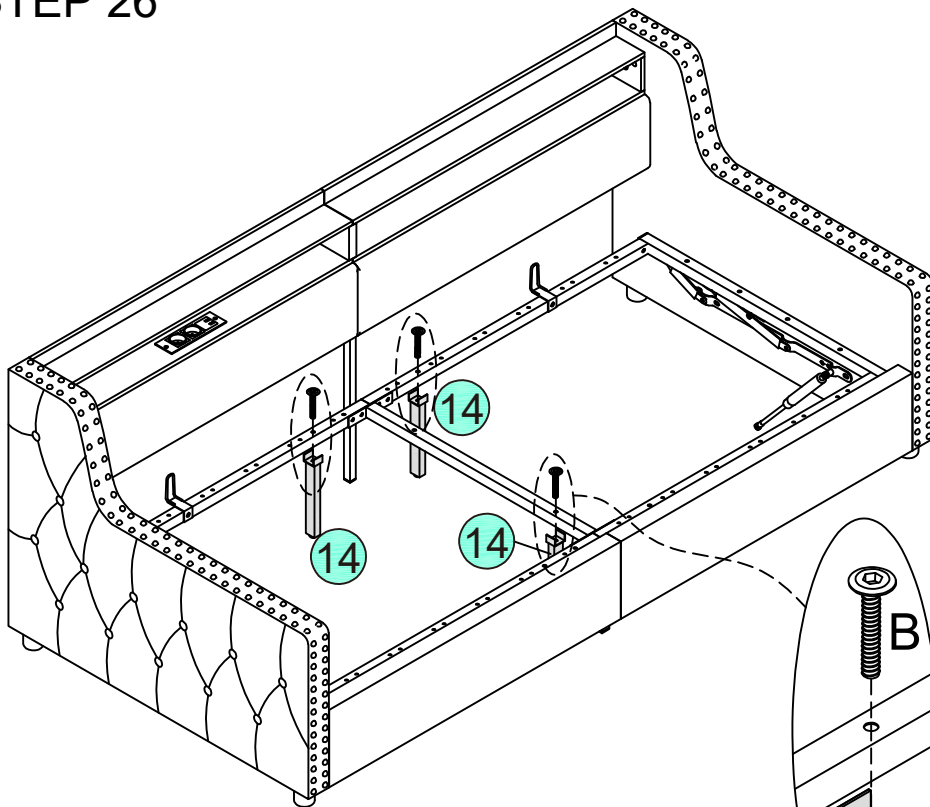
B x 8  5/16X45mm	G x 8  5/16	H x 8  Ø19X5/16	34 x 2 
--	--	--	---


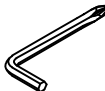

# STEP 25

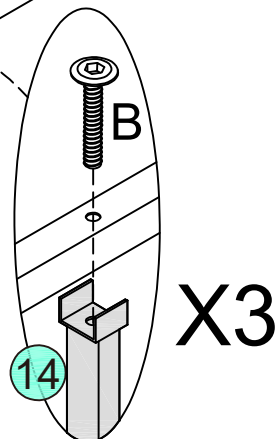


B x 4	G x 4	H x 4	Q x 1
			
5/16X45mm	5/16	Ø19X5/16	5/16

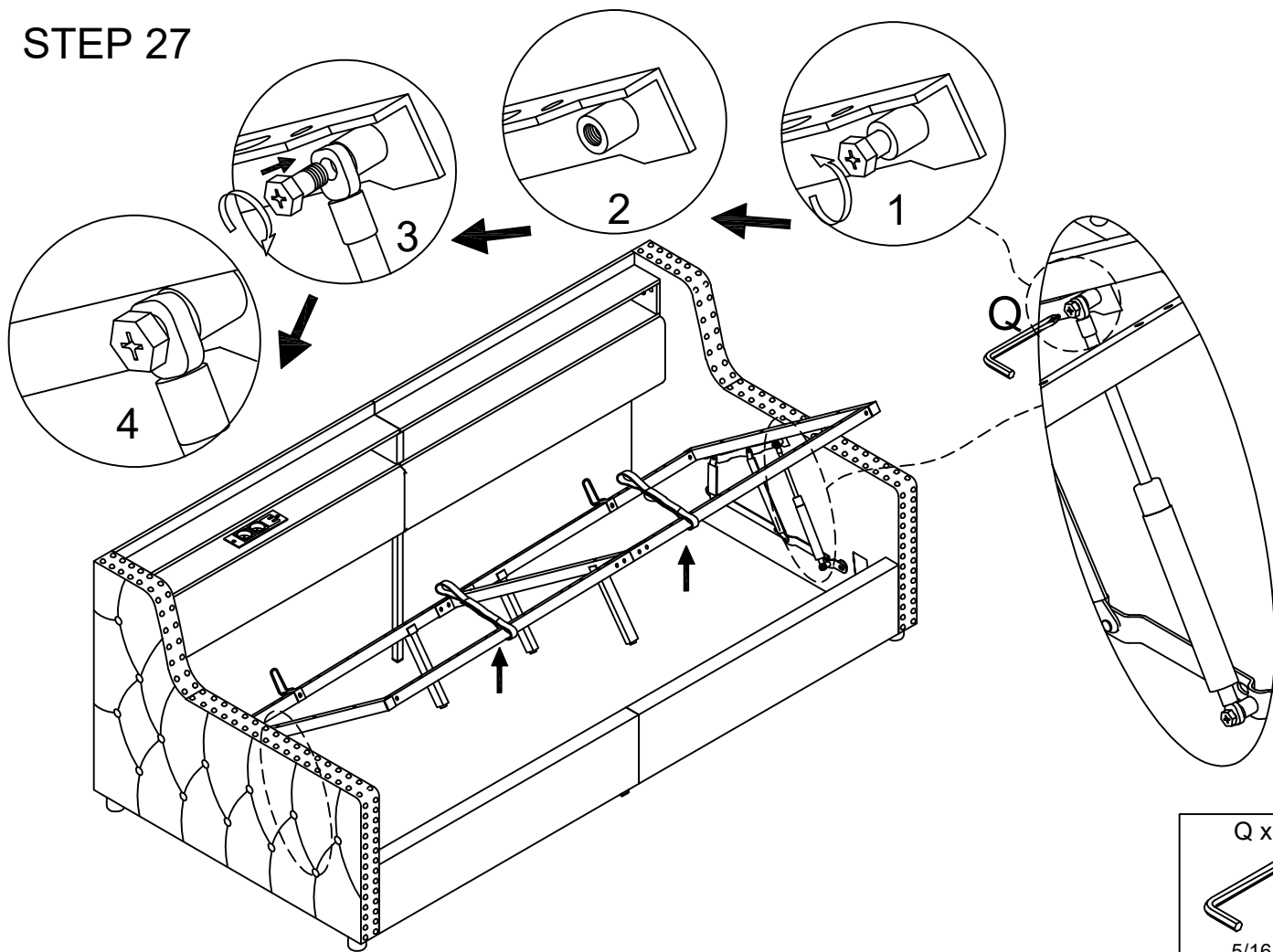
# STEP 26



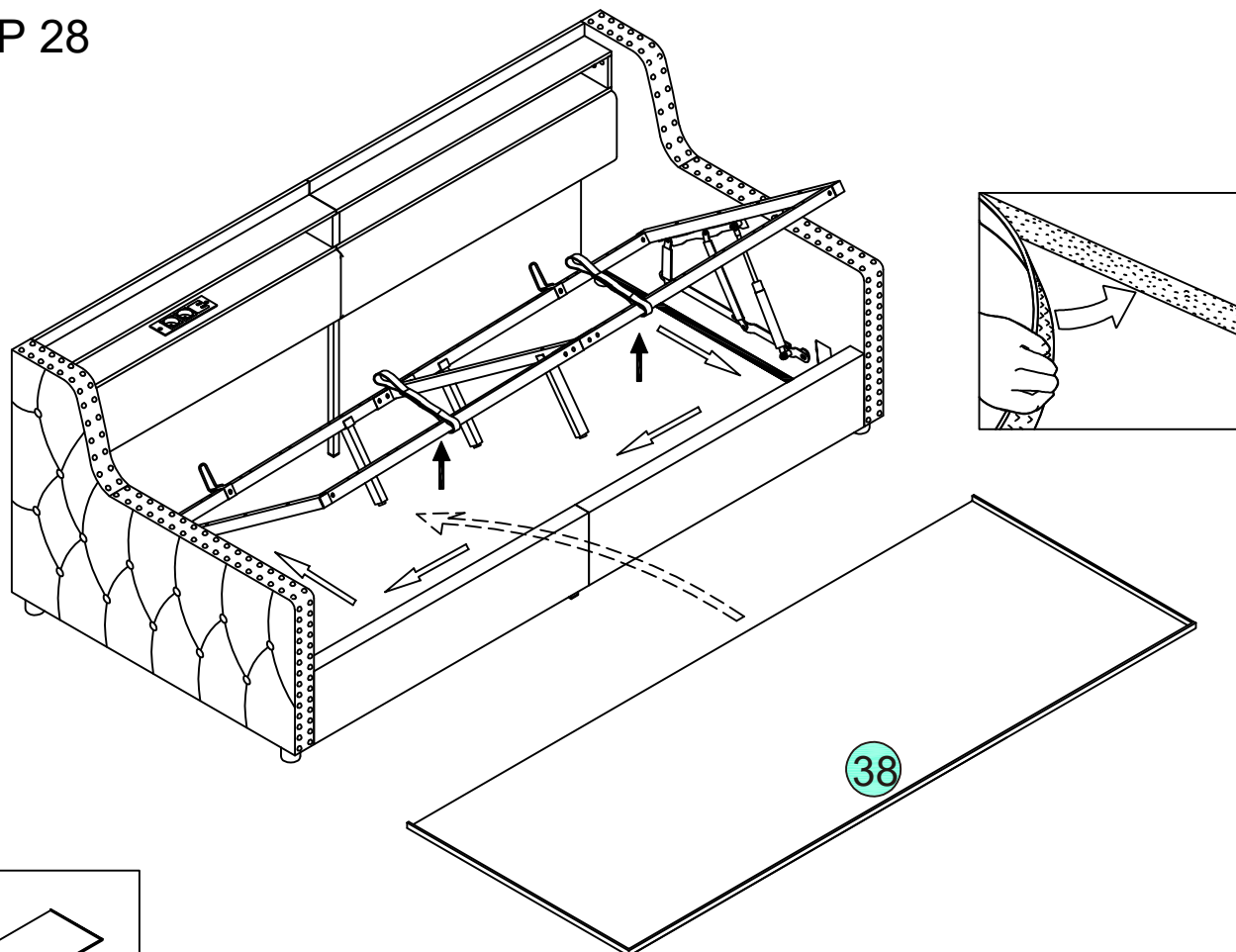
B x 3	Q x 1	14 x 3
		
5/16X45mm	5/16	



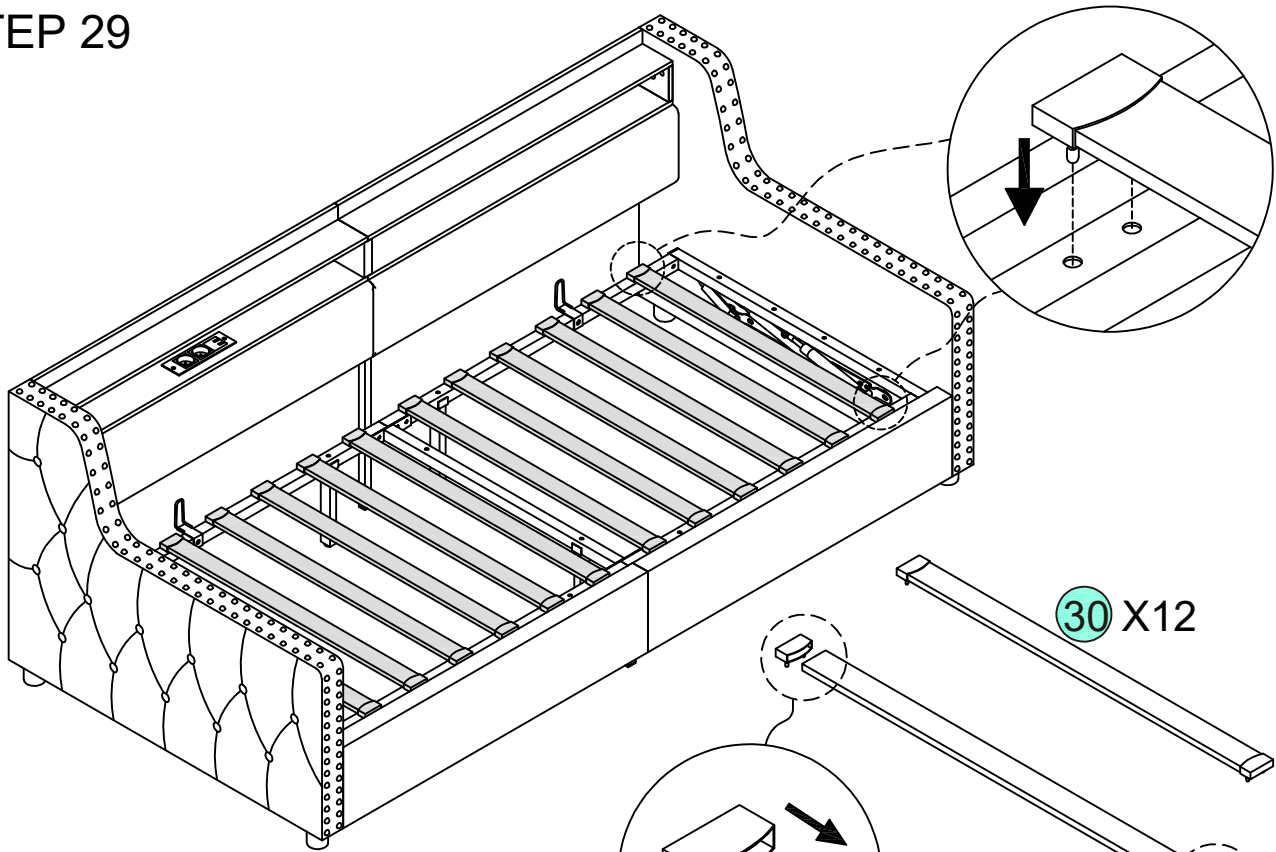
# STEP 27



# STEP 28



# STEP 29



30 x 12



31 x 24

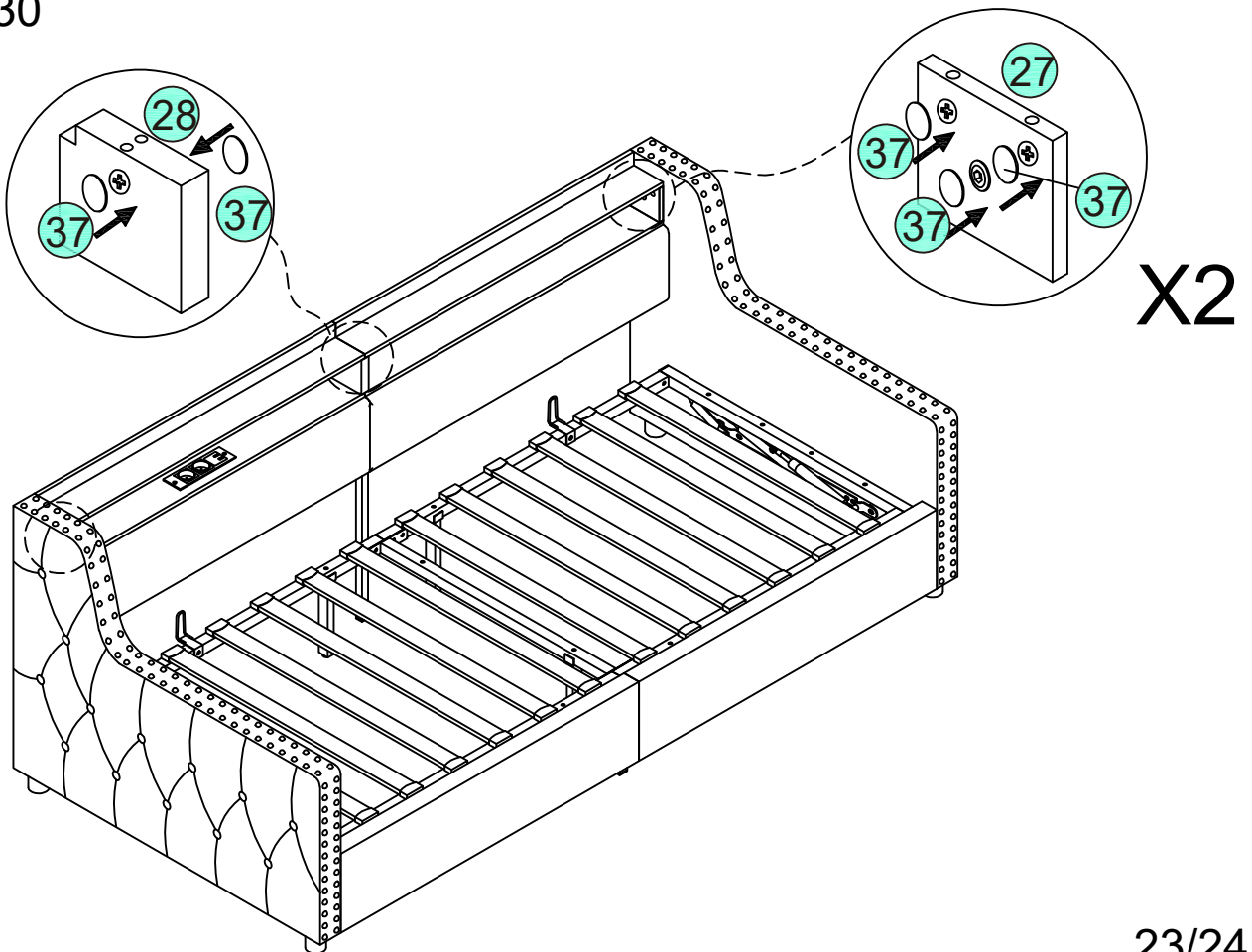


30 X12

31

30

# STEP 30



28

37

37

27

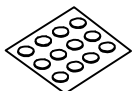
37

37

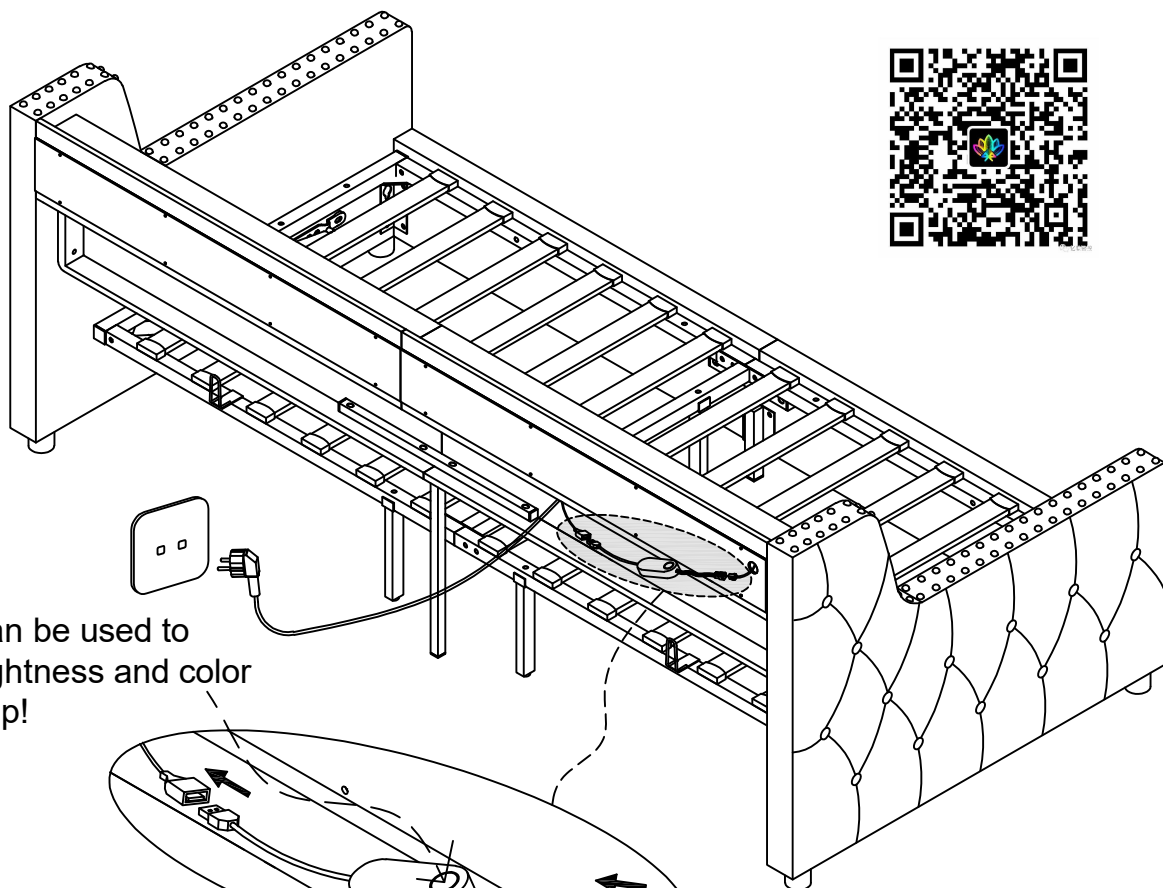
37

X2

37 x 8



## STEP 29

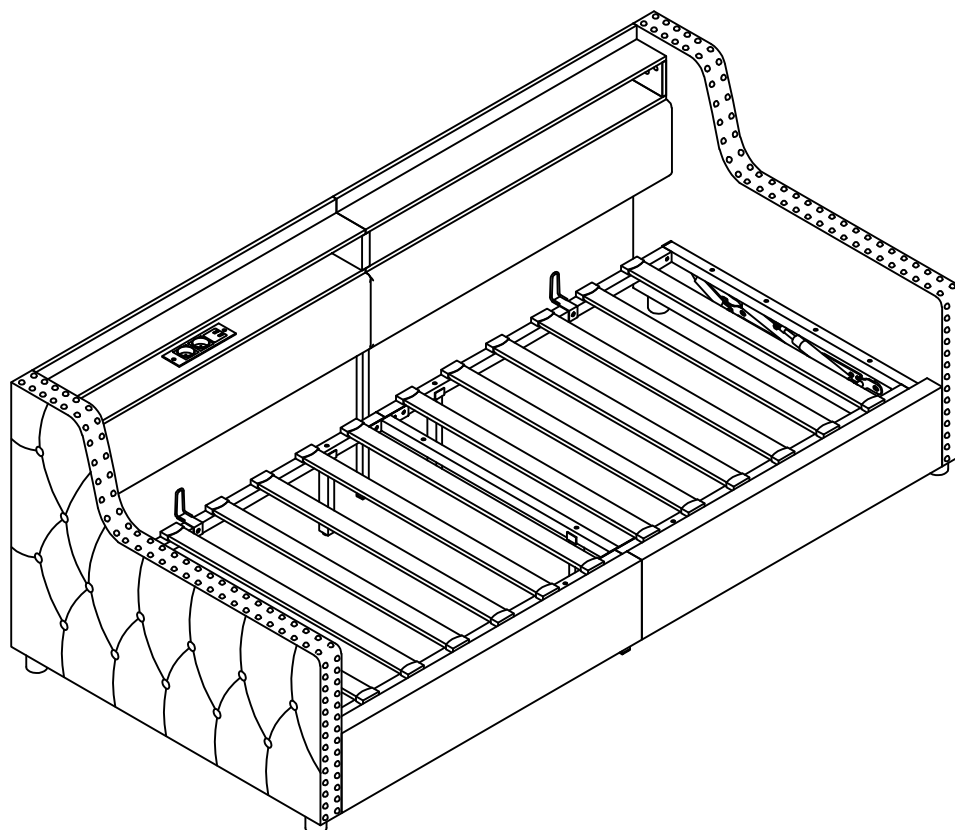


This button can be used to adjust the brightness and color of the light strip!

35 x 1

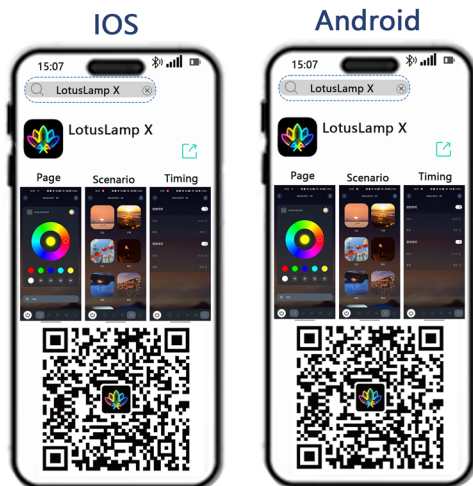


## Finish

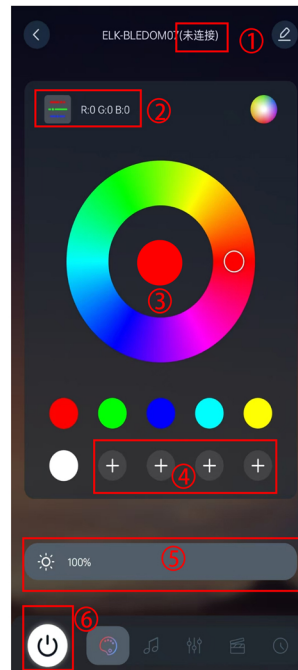


One software for IOS and Android  
APP installation instructions:

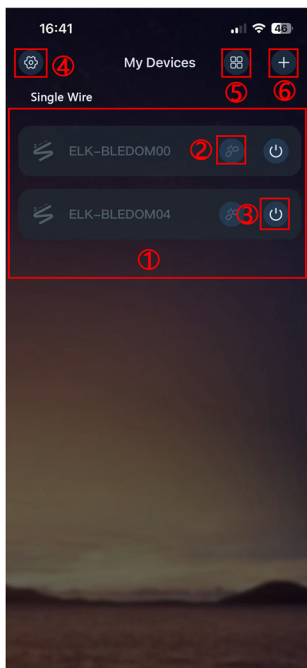
- 1 IOS: Search for the 《LotusLamp X》 app in the Apple Store.
- 2 Android: Search for LotusLamp X' in 'Google'



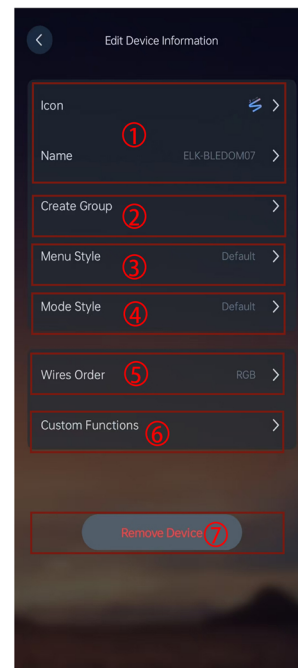
Scan the QR code to download the free LotusLamp X app.



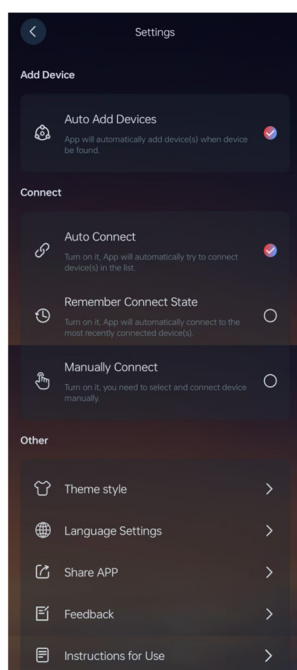
1. Device connection state, including unconnected/ empty (representing connected)
2. Color tray, used to change the device color.
3. RGB color value, click can set the RGB color value to more accurately select the color.
4. Customize the color to save your favorite color. After selection, slide the color plate above, long press can be deleted.
5. Brightness adjustment, sliding can set the brightness of the device.
6. Switch, used for turning the lights on/ off.



- ① Device list, showing the searched device, highlighted when connected.
- ② Connection status, click to connect / disconnect the device.
- ③ Light switch button, in the connected state, click the light on / off.
- ④ Set the button, click to jump to the setting page.
- ⑤ Switch over the device list display mode.
- ⑥ Add the device / group / virtual device entry.



1. Modify the device icon and name
2. Create groups, a similar type of devices support creating groups, you can control multiple devices simultaneously.
3. Menu style, you can modify the page style.
4. Mode style, you can modify the mode you like. Line order can be corrected when the device color is not consistent with the setting color.
5. Custom functions, you can adjust the use of buttons according to your own habits.
6. Remove the device and remove the device from my device list.



1. Automatically add devices. After checking them off, the APP will automatically search for nearby devices and add them to my device list.
2. linkage: Automatic connection: After checking, it will automatically connect to my device list.  
Memory connection: When checked the most recently connected device is automatically connected.  
Manual connection: after checking, you need to manually click on the corresponding device to connect.
3. other: Change the background: you can customize the APP background map.  
Multi-lingual: you can switch to the APP language and follow the mobile phone system by default.  
Share the APP: Download the QR code for the same series of APP  
Problem feedback: Problems can be feedback by email  
About: App version introduction.

## SUPPLIER'S DECLARATION OF CONFORMITY

**No.** : HX240902021579  
**Applicant** : Dongguan City Kun Sheng Electronics Co., Ltd.  
**Address** : Room 101, Building 1, No. 2 Scare Corner Road, Xiegang Town, Dongguan City  
**Manufacturer** : Dongguan City Kun Sheng Electronics Co., Ltd.  
**Address** : Room 101, Building 1, No. 2 Scare Corner Road, Xiegang Town, Dongguan City  
**Product** : LED Plant Light  
**Models** : Ks-A3(one tow three), Ks-A1 (one tow one), Ks-A2 (one tow two), Ks-A4 (one tow four), Ks-A5 (one tow five), Ks-A6 (one tow six)  
**Trademark** : N/A  
**Test Standard(s)** : **FCC Part 15 Subpart B**

This device complies with Part 15 of the FCC rules, operation is subject to the following two conditions:

- (1) This device may not cause harmful interference
- (2) This device must accept any interference received, including interference that may cause undesired operation.

The certificate applies to the tested sample above mentioned only and shall not imply an assessment of the whole production. it is only valid in connection with the test report number: HX250402021108.



Apr. 24, 2025

Shenzhen HX Detect Certification Co., Ltd.

101, building B12, Yintian Industrial Zone, Yantian community, Xixiang street, Bao'an District, Shenzhen

HOTLINE:0755-29116082 Email: huaxunprc@163.com Http://www.hx-lab.com



Product Service

# Attestation of Conformity

No. N8A 129388 0002 Rev. 00

**Holder of Attestation:** **Dongguan Yali Electric  
Appliance Co., Ltd.**

8/F, Building 9, No. 6, Yuyuan 4th Road  
Yuyuan Industrial Zone, Huangjiang Town  
523750 Dongguan City, Guangdong Province  
PEOPLE'S REPUBLIC OF CHINA

**Product:** **Socket-outlets**

This Attestation of Conformity is issued on a voluntary basis according to the Low Voltage Directive 2014/35/EU relating to electrical equipment designed for use within certain voltage limits. It confirms that the listed equipment complies with the principal protection requirements of the directive and is based on the technical specifications applicable at the time of issuance. It refers only to the particular sample submitted for conformity assessment. For details see: [www.tuvsud.com/ps-cert](http://www.tuvsud.com/ps-cert)

Test report no.: 6810024020601

Date, 2024-12-04



( Michael Xu )

Page 1 of 2

This Attestation does not replace the regulatory EU Declaration of Conformity (DoC) and does not allow for CE marking. After preparation of the necessary documentation and establishing compliance to requirements of all applicable directives, the manufacturer may sign a DoC and apply the CE marking. The DoC is issued under the sole responsibility of the manufacturer.



Product Service

# Attestation of Conformity

No. N8A 129388 0002 Rev. 00

**Model(s):**

YL-SKCE-901, YL-SKCE-901A, YL-SKCE-901A-PD20W,  
YL-SKCE-902, YL-SKCE-902A, YL-SKCE-902A-PD20W,  
YL-SKCE-903, YL-SKCE-903A, YL-SKCE-903A-PD20W,  
YL-SKCE-905, YL-SKCE-905A, YL-SKCE-905A-PD20W,  
YL-SKCE-906, YL-SKCE-906A, YL-SKCE-906A-PD20W,  
YL-SKCE-907, YL-SKCE-907A, YL-SKCE-907A-PD20W,  
YL-SKCE-908, YL-SKCE-908A, YL-SKCE-908A-PD20W,  
YL-SKCE-909, YL-SKCE-909A, YL-SKCE-909A-PD20W

**Parameters:**

Rated voltage: 250Vac  
Rated frequency: 50/60Hz  
Rated current: 16A  
Protection class: I  
Degree of protection: IP20  
Type of cable: H05VV-F 3G1.5mm<sup>2</sup>

**Tested  
according to:**

DIN VDE 0620-1:2021  
DIN VDE 0620-2-1:2021/A1:2023

Page 2 of 2

This Attestation does not replace the regulatory EU Declaration of Conformity (DoC) and does not allow for CE marking. After preparation of the necessary documentation and establishing compliance to requirements of all applicable directives, the manufacturer may sign a DoC and apply the CE marking. The DoC is issued under the sole responsibility of the manufacturer.