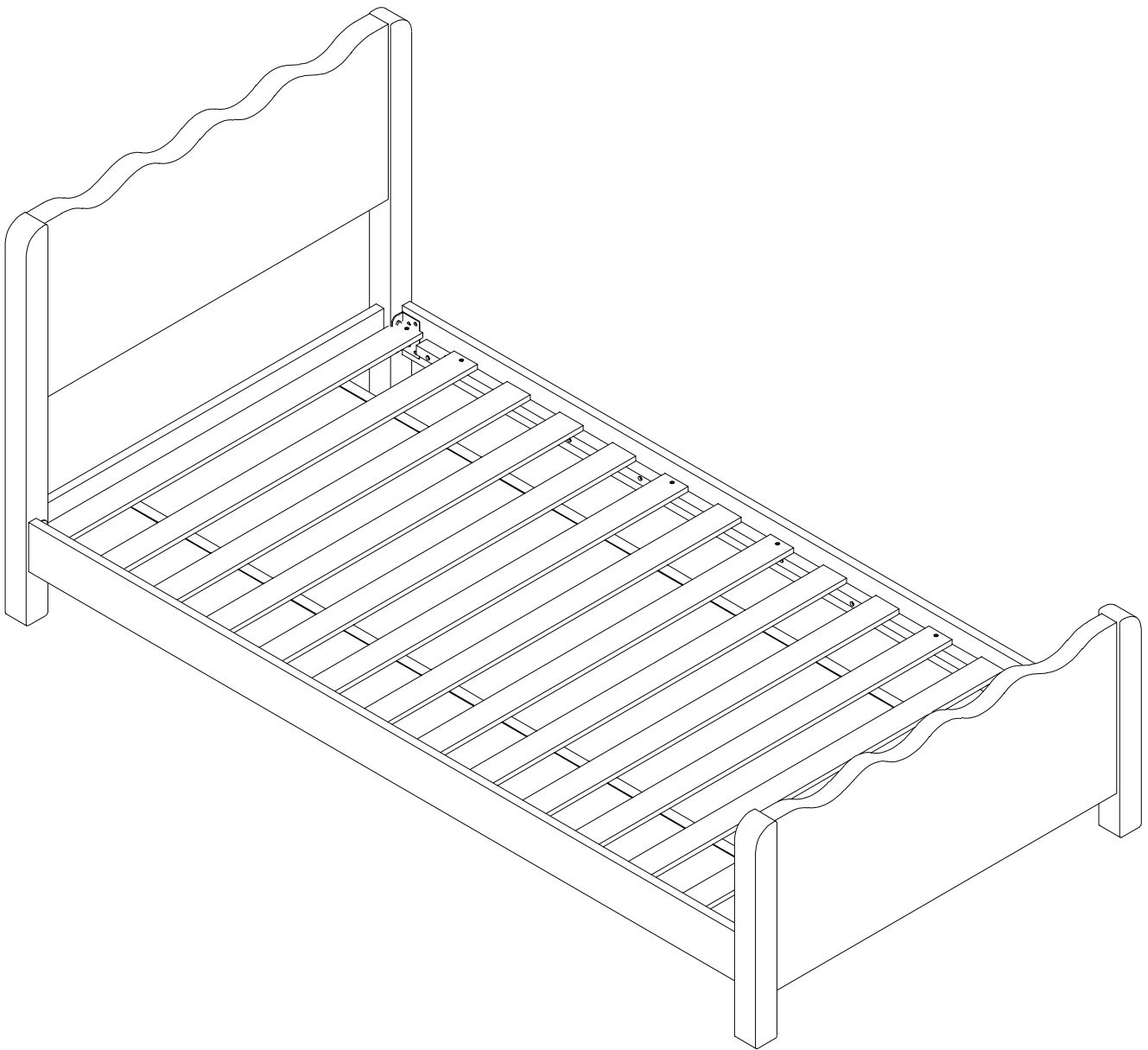


WALKER EDISON

®

Kids Twin Bed

SKU# WESUR03TB4V1



For Residential Use Only

Please visit our website for the most current instructions, assembly tips, report damage, or request parts. www.walkeredison.com



Time to get started

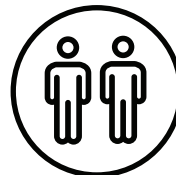
Set up a clean and soft workplace to get started and avoid damage during the assembly. It also helps to double-check you've got all the pieces and parts before diving in to assembly.

Estimated time for assembly



People recommended for assembly

Make it a team effort! Grab a friend for quicker, easier assembly.



2 People Build

Tools Needed

Grab a Phillips head screwdriver to conquer this assembly.
Phillips head screwdriver is not included.



Use power tools with caution

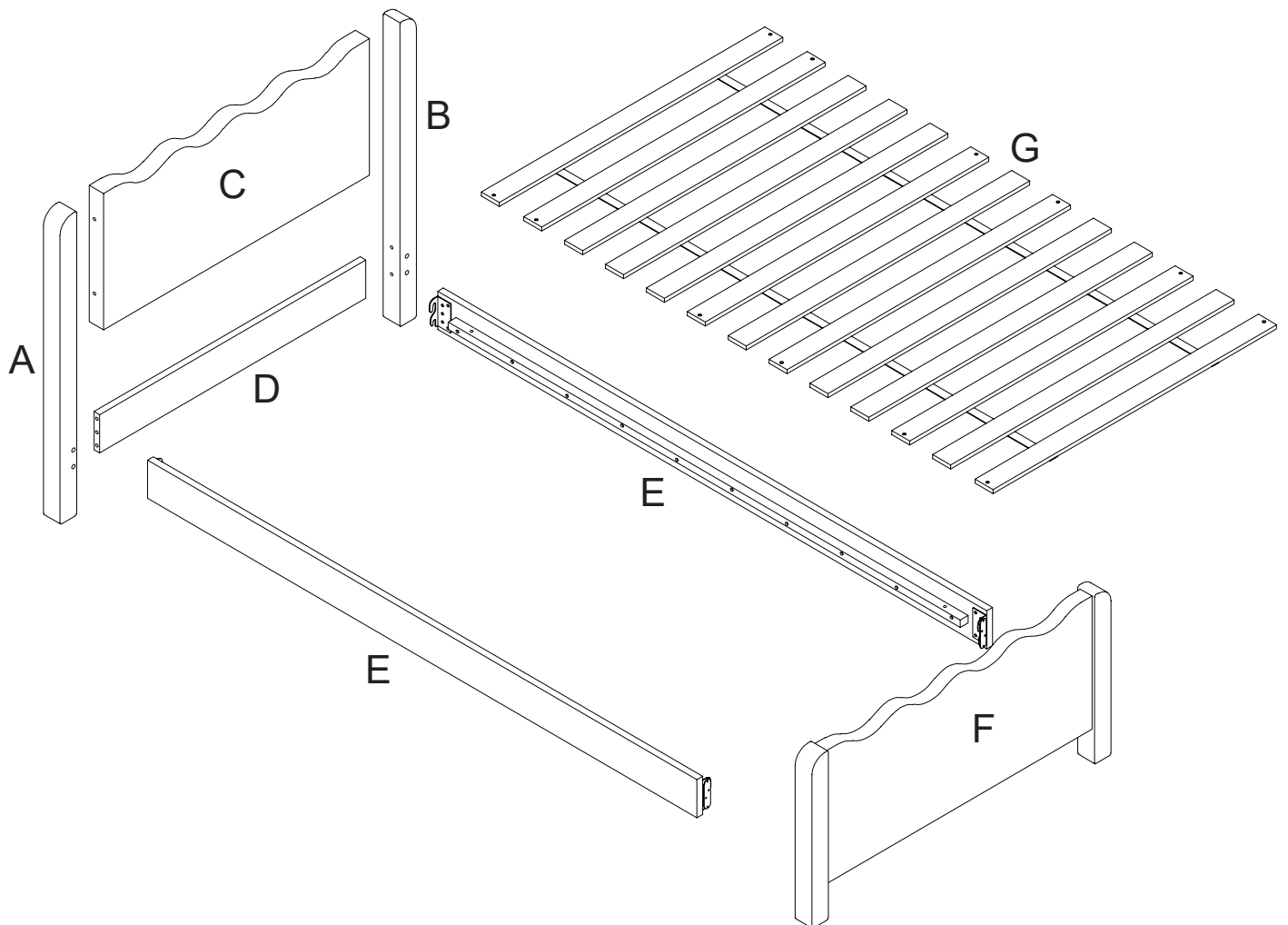
You can cause cracking or damage to the material and easily strip the hardware. If you choose to use a power tool, your product will no longer be covered under Walker Edison's warranty.



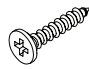
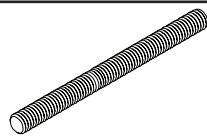

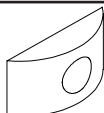


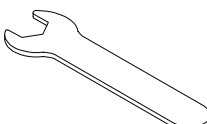
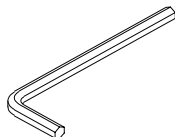

Scan to get assembly tips and help!

WE Parts List

Part Number	Description	Quantity
A	Right Leg	1
B	Left Leg	1
C	Headboard	1
D	Headboard Support Rail	1
E	Side Rails	2
F	Footboard	1
G	Bed Slats	1



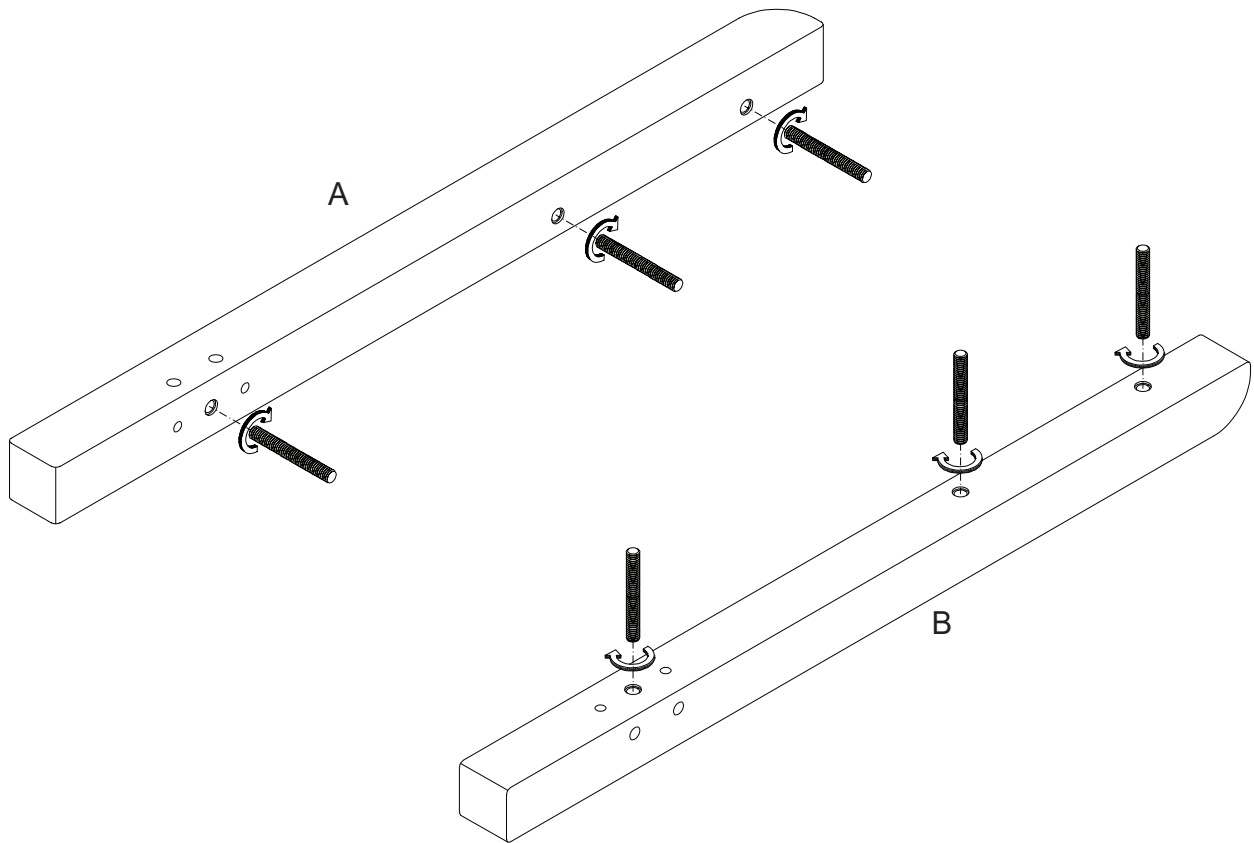
WE Hardware List

Part	Size	Name	Quantity	Part code
AA 	Ø8x25mm	Screw	12	PWESUR03TB4IV1-AA
BB 	Ø5/16"x83mm	Bolt	6	PWESUR03TB4IV1-BB
CC 	Ø5/16"	Nut	6	PWESUR03TB4IV1-CC
DD 	Ø28x14.5x7.5mm	Half - moon washer	6	PWESUR03TB4IV1-DD
EE 	Ø10x40mm	Wood Dowels	4	PWESUR03TB4IV1-EE
FF 	Ø8x30mm	Wood Dowels	4	PWESUR03TB4IV1-FF
GG 	12x90x2mm	Wrench	1	PWESUR03TB4IV1-GG
HH 	4x60mm	Hexagon Wrench	1	PWESUR03TB4IV1-HH
II 	Ø5/16"x25mm	Bolt	8	PWESUR03TB4-II

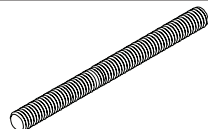
*The hardware quantities listed above are required for proper assembly.
Extra hardware pieces may be included.*

Step 1

Let's get started! Insert the bolts (BB) into the right leg (A) and the left leg (B) as shown in the image below.



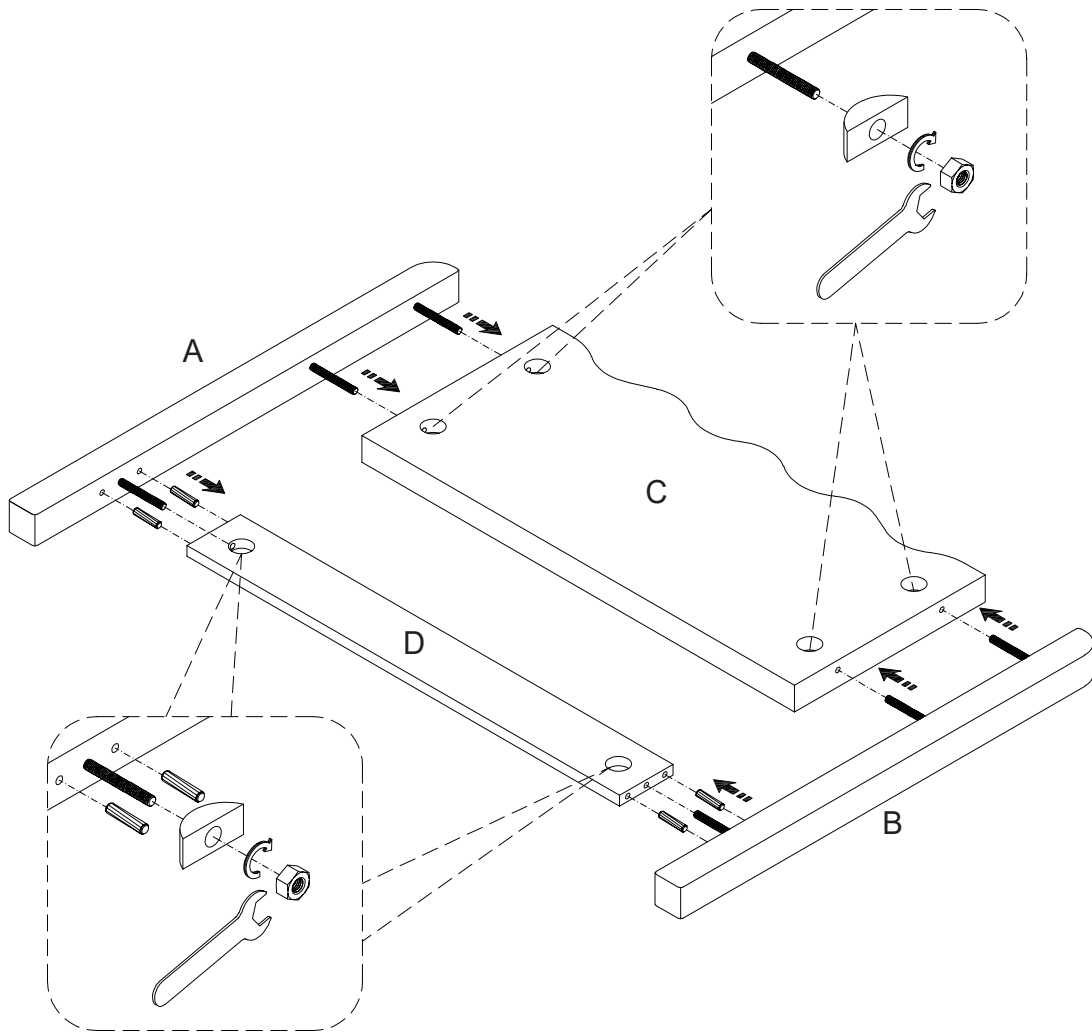
BB



[x6]

Step 2

Insert the wood dowels (EE) into both the legs (A and B) as shown. Then, attach the legs (A and B) to the headboard (C) and the headboard support rail (D). Secure the half moon washers (DD) to all the bolts first and then tighten the nuts (CC) into place using the wrench.

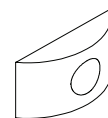


CC



[x6]

DD



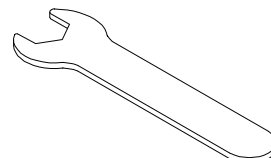
[x6]

EE



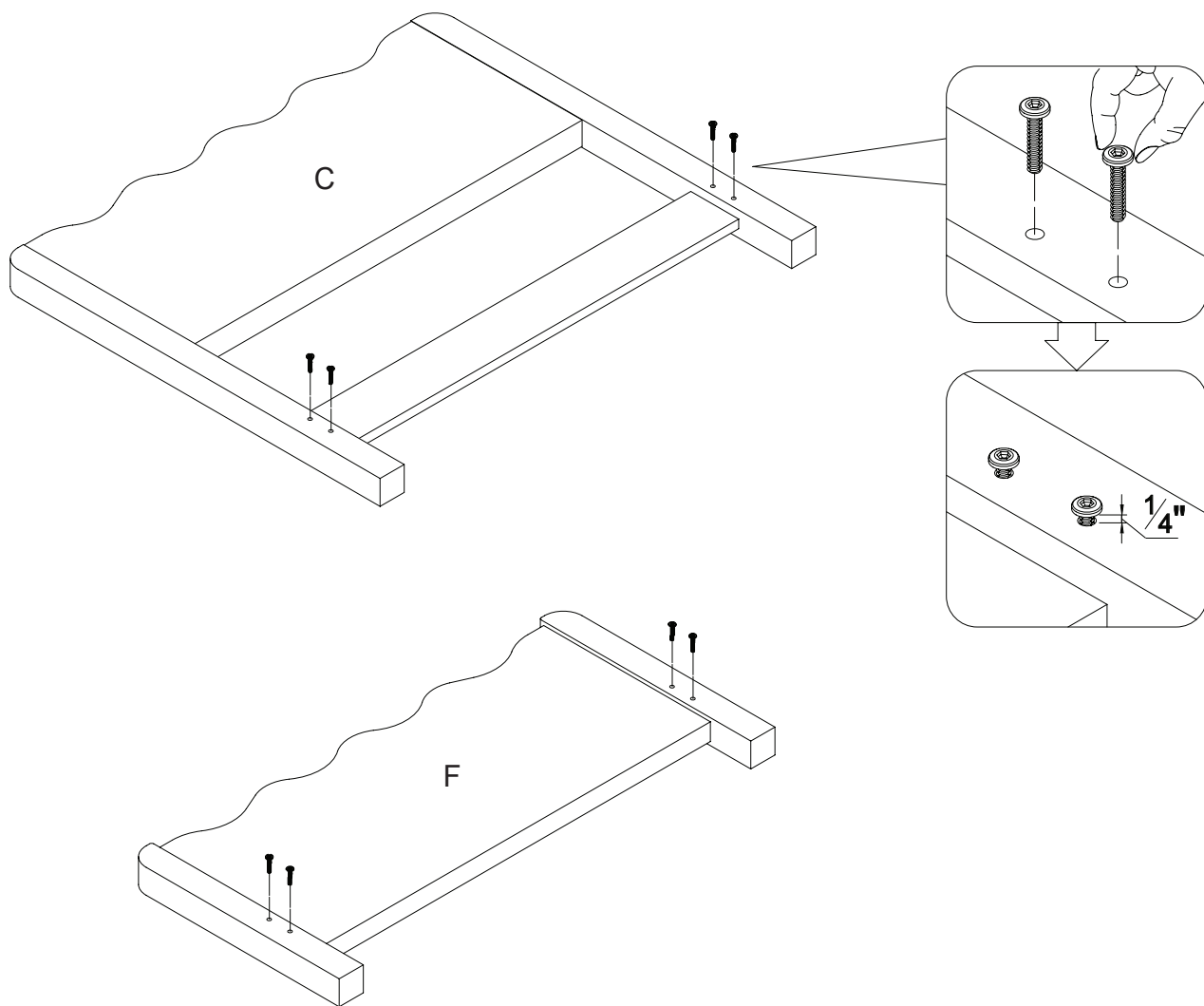
[x4]

GG

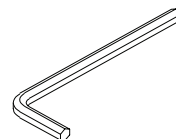


Step 3

Insert bolts (II) into pre-drilled holes in the assembled unit and the footboard (F) as shown, but do not tighten all the way. Leave approximately a 1/4" gap to place the side rails in step 4 and step 5.

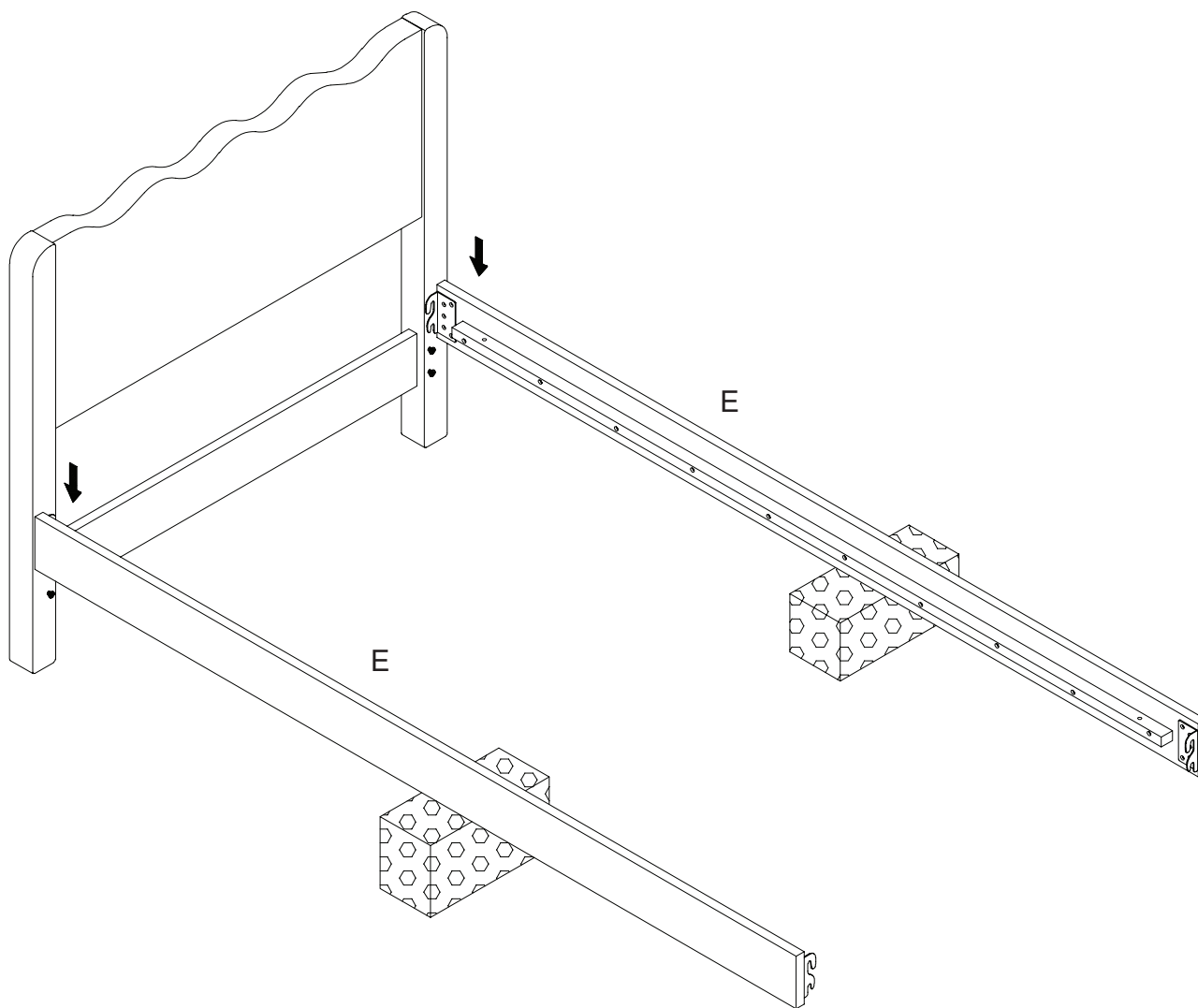


[x8]



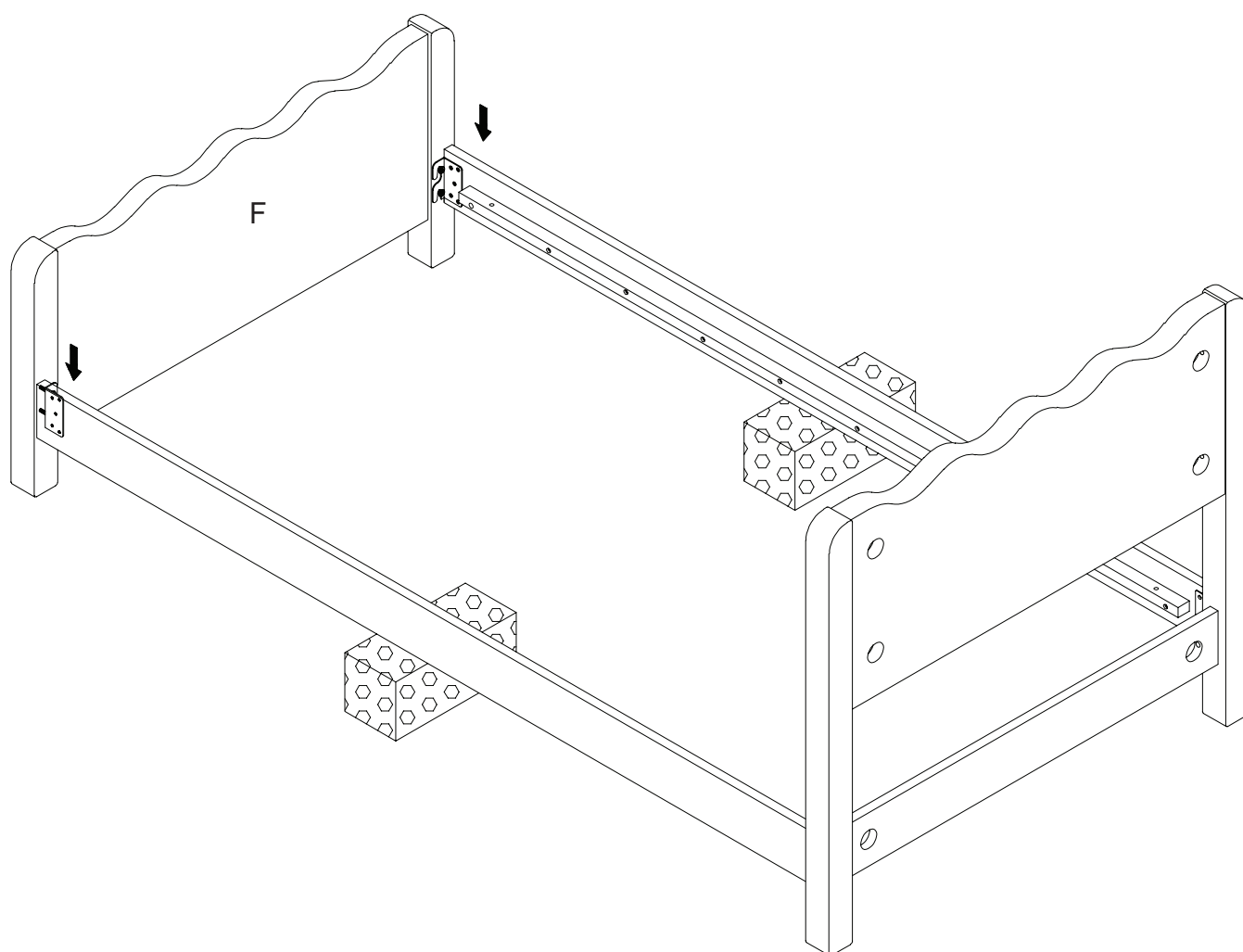
Step 4

Connect the side rails (E) into the headboard. If you have yoga blocks handy, that could help support the side rails (E) as you secure them in place.



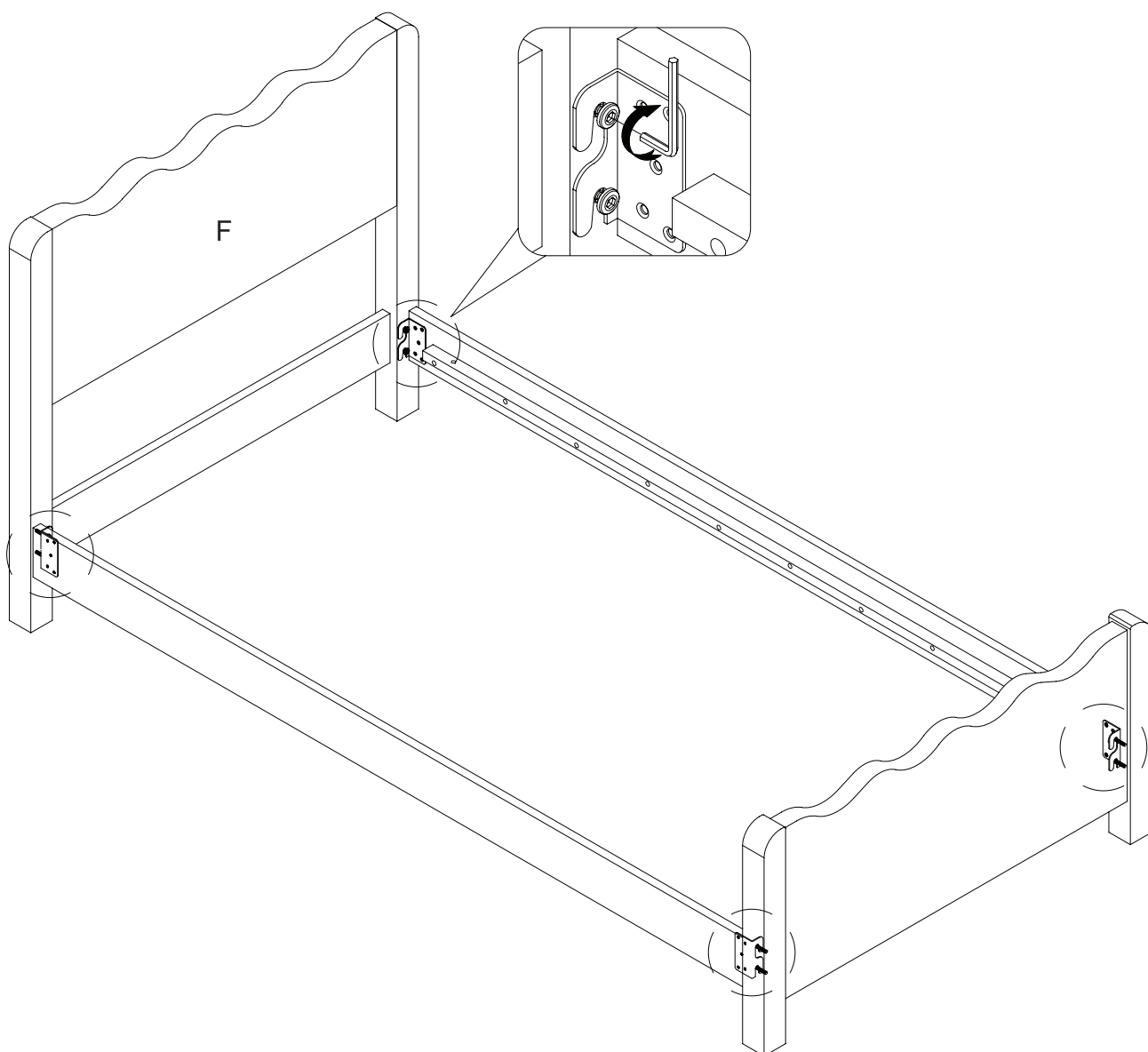
Step 5

Connect the side rails (E) to the footboard (F) as shown in the image below.

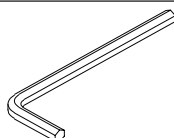


Step 6

Then tighten all the bolts using the hexagonal wrench (HH).

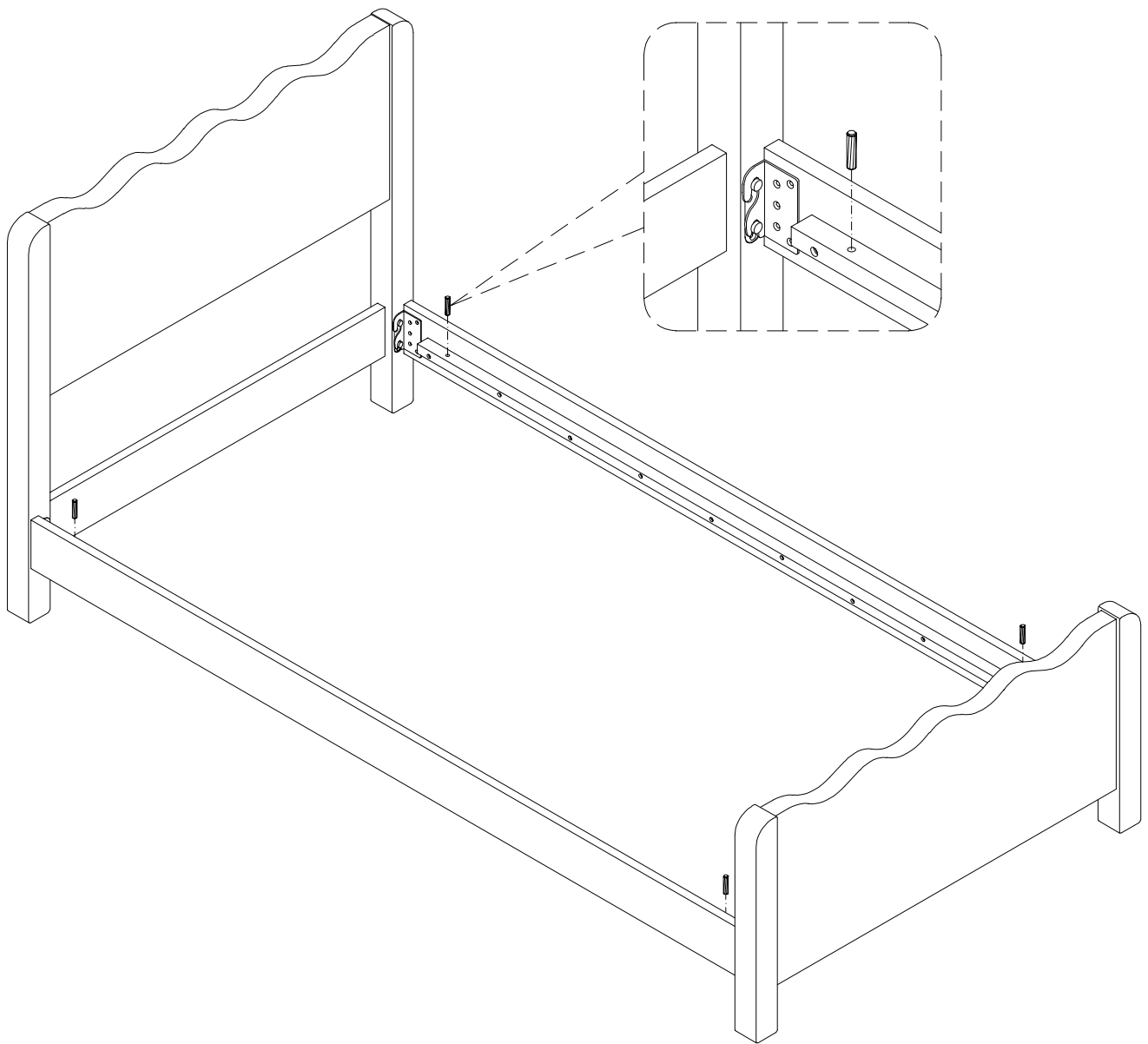


HH



Step 7

Insert the wood dowels (FF) into the pre-drilled holes in each corner of the frame.



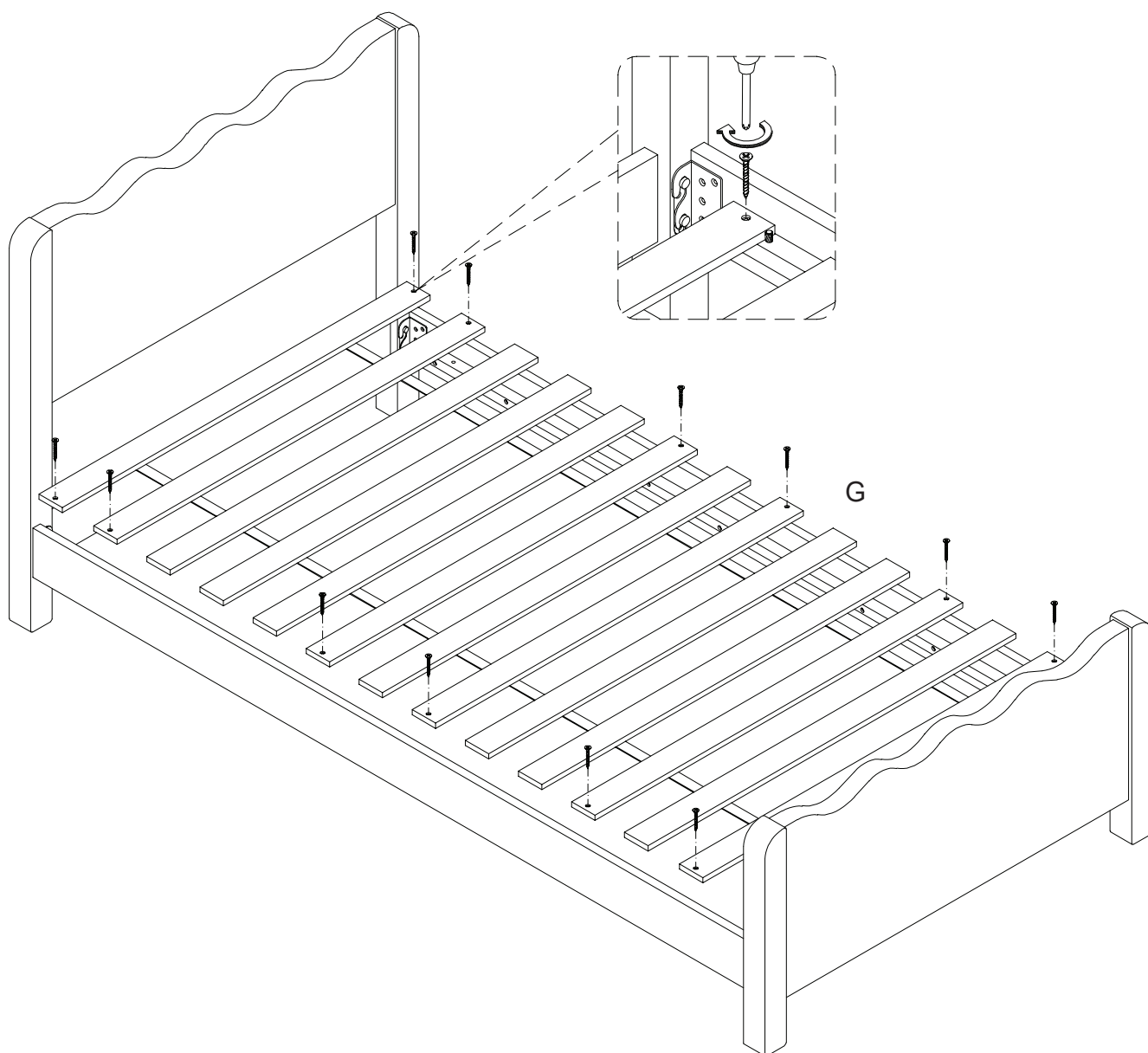
FF



[x4]

Step 8

Place the bed slats (G) onto the rails. Secure everything into place using the screws (AA) and the pre-drilled holes as shown.

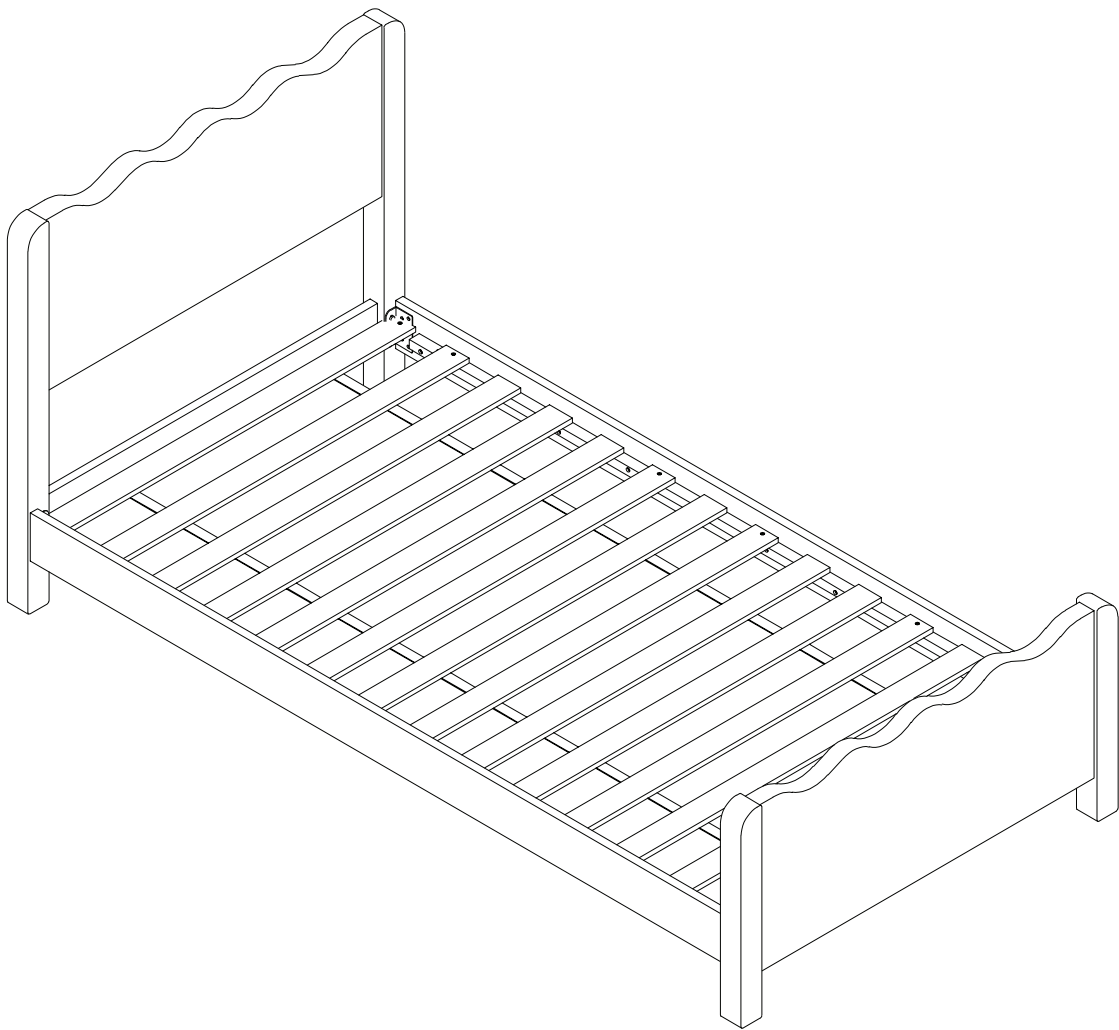


AA



[x12]

Final Assembly



Congratulations on your new piece of furniture!

We would love to hear about it and see it.
Please leave us a review or post a picture with
#mywalkerredisonhome

Assembling furniture can be tricky sometimes.

Our customer service team, located in Utah, is here for product information, help assembling a product, or for any other customer support issue

Call us at **801-433-3008**

Email us at **service@walkeredison.com**

We are available to help Monday -Thursday 8am-5pm, Friday 8am-3pm MST



Scan to sign up for your warranty