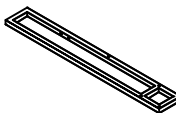


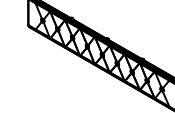

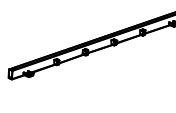

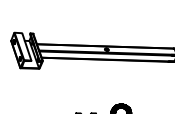
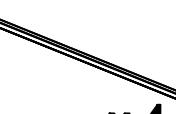
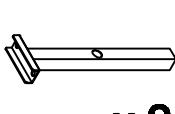

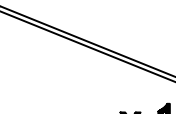
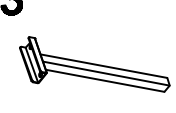
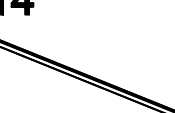
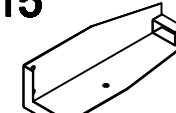
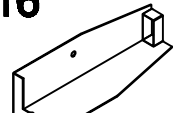




**Please don't tighten the screws completely
and go back later for a final tightening of all the
screws after pieces are aligned with each other.**

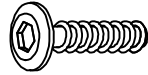
1  x 2	2  x 1	3  x 1	4  x 1	5  x 1	6  x 1
7  x 1	8  x 2	9  x 4	10  x 2	11  x 4	12  x 1
13  x 4	14  x 8	15  x 1	16  x 1	17  x 1	18  x 1

A



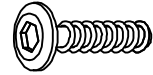
M6 x 12 mm x10

B



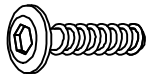
M6 x 15 mm x8

C



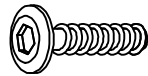
M6 x 25 mm x8

D



M6 x 35 mm x22

E



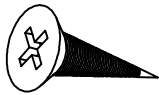
M6 x 50 mm x8

F



M8 x 35 mm x4

G



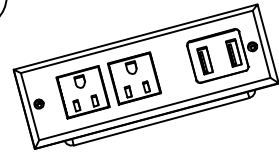
Ø3x10mm x2

H



4 # x1

I

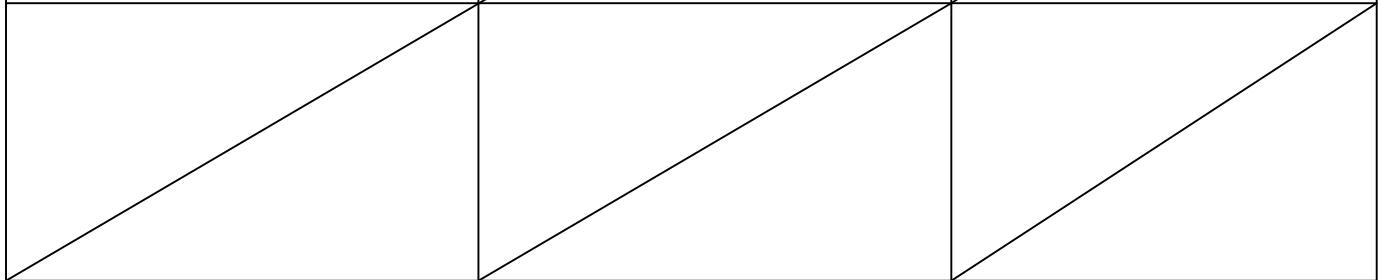


x 1



J

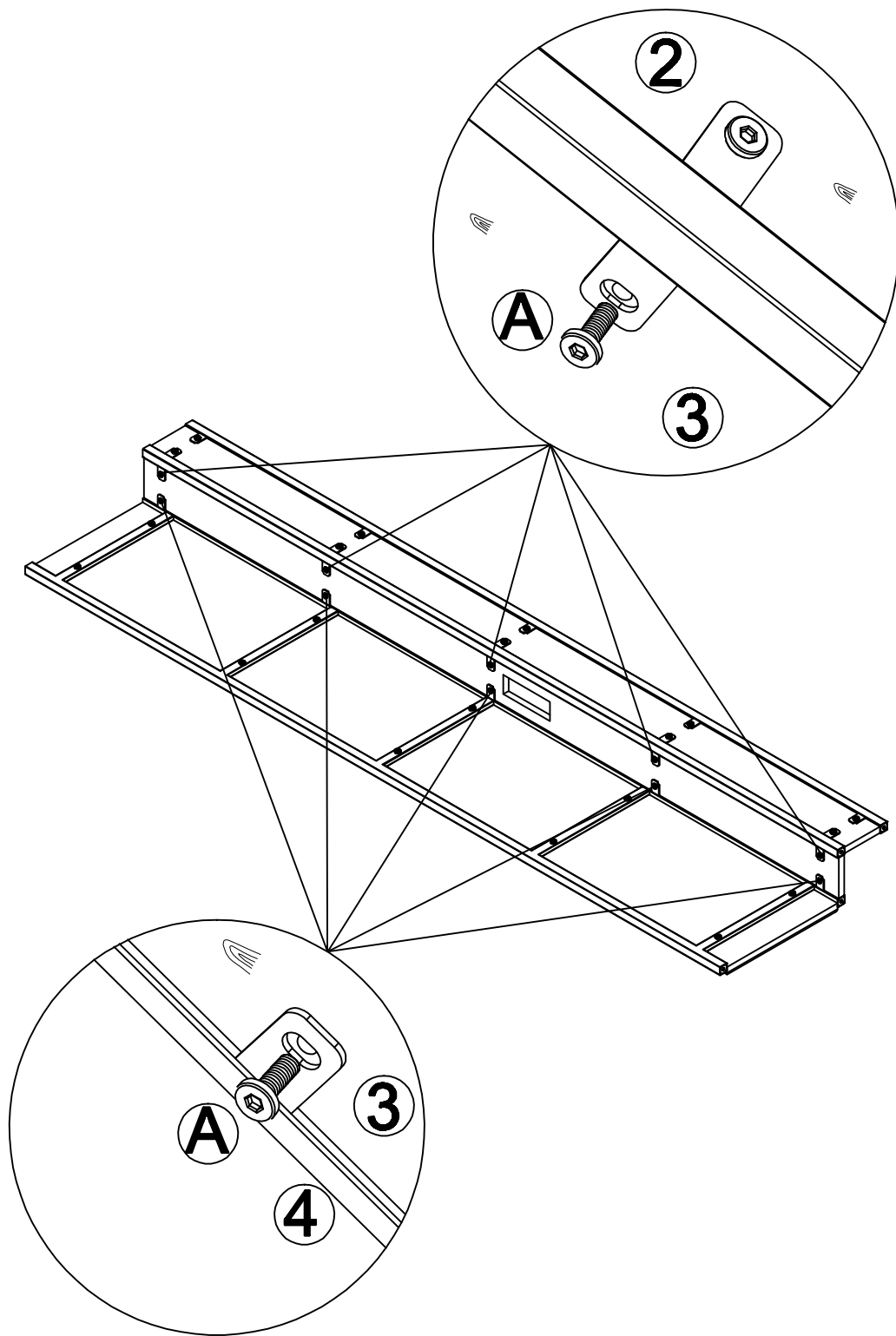


4 # x1





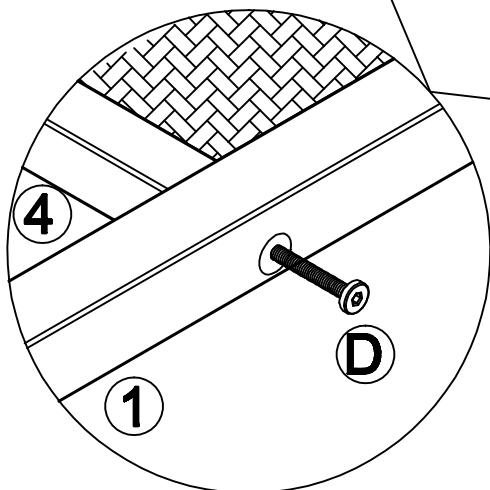
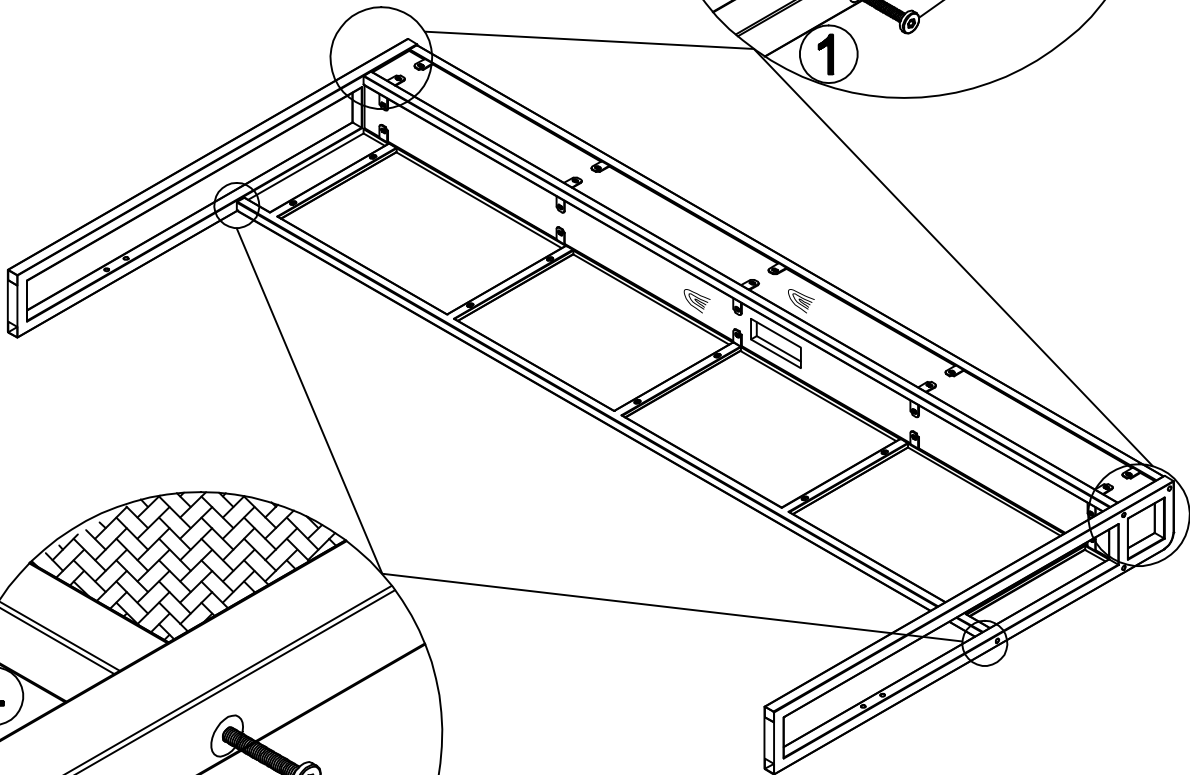
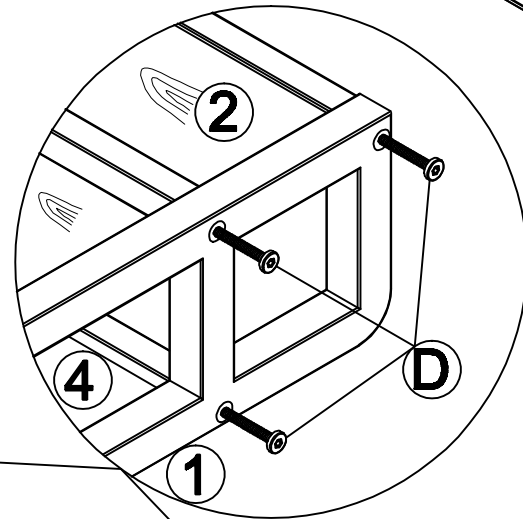
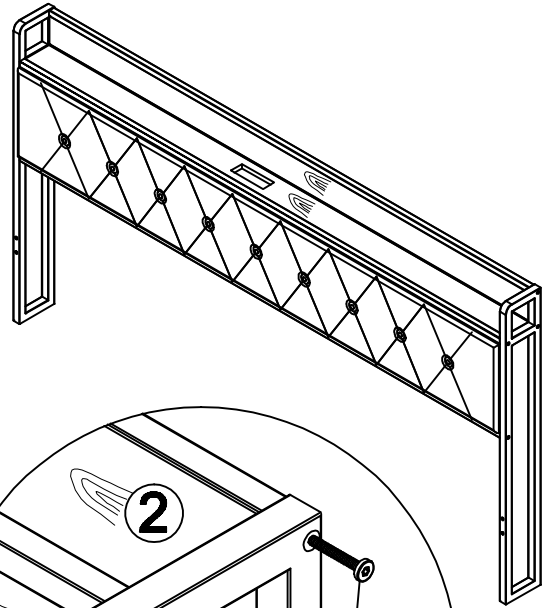
Step 1

A		M6 x 12	10 pcs
H		4 #	1pcs





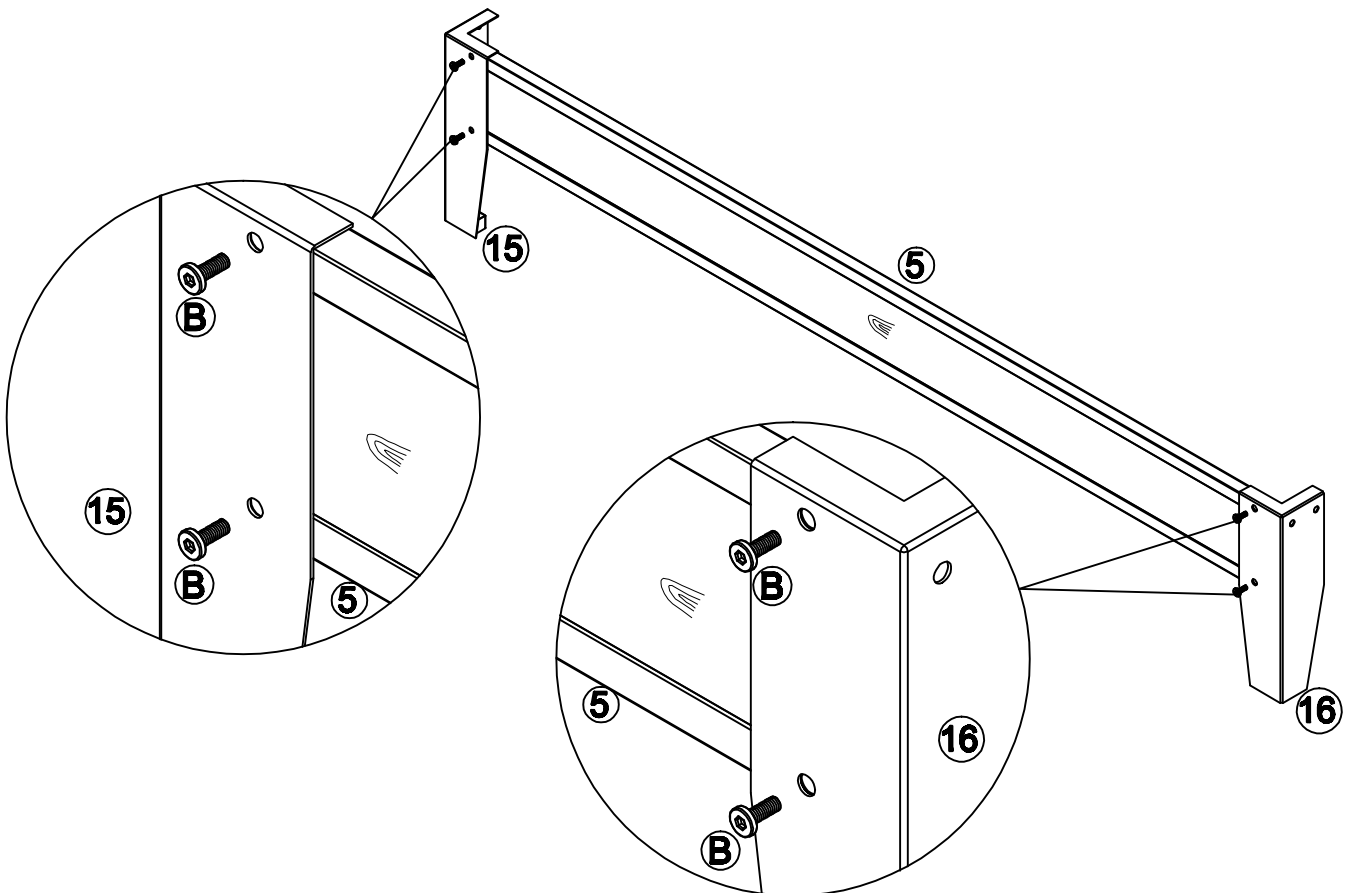
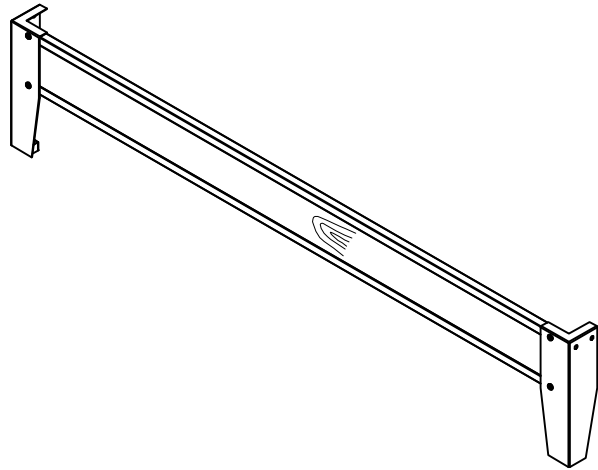
Step 2

D		M6 x 35	8pcs
H		4 #	1pcs






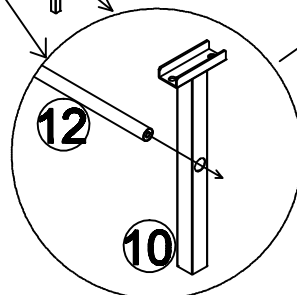
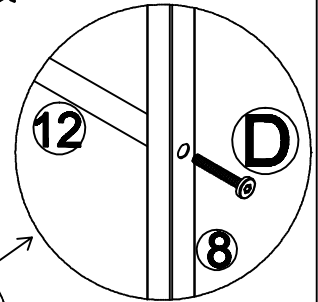
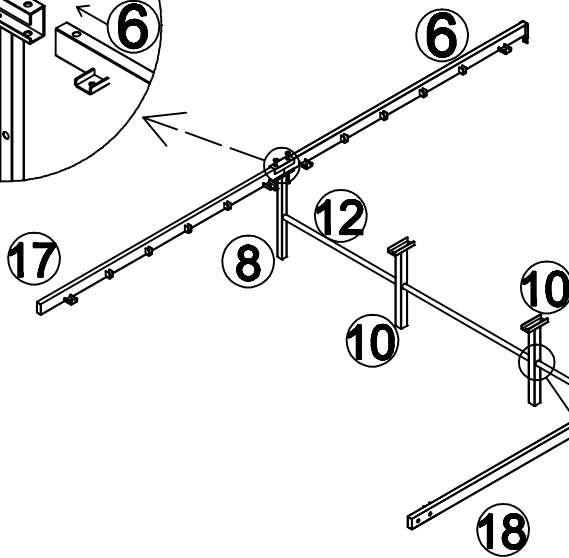
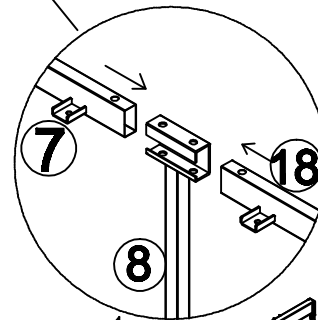
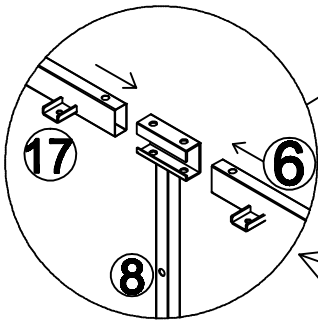
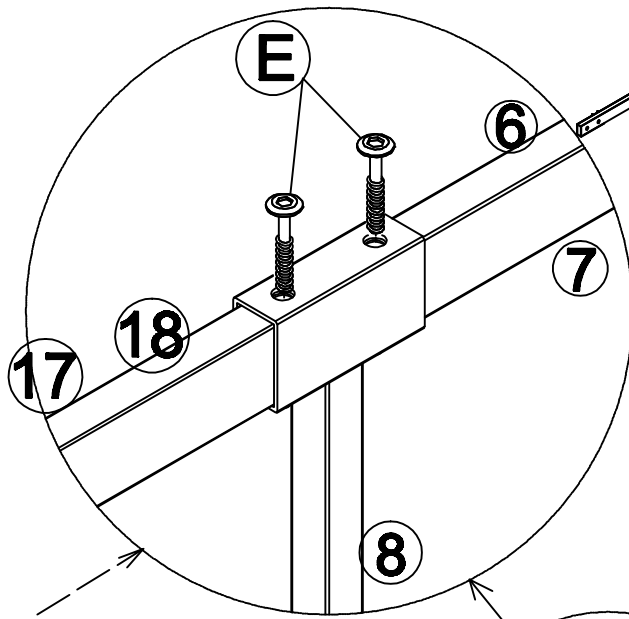
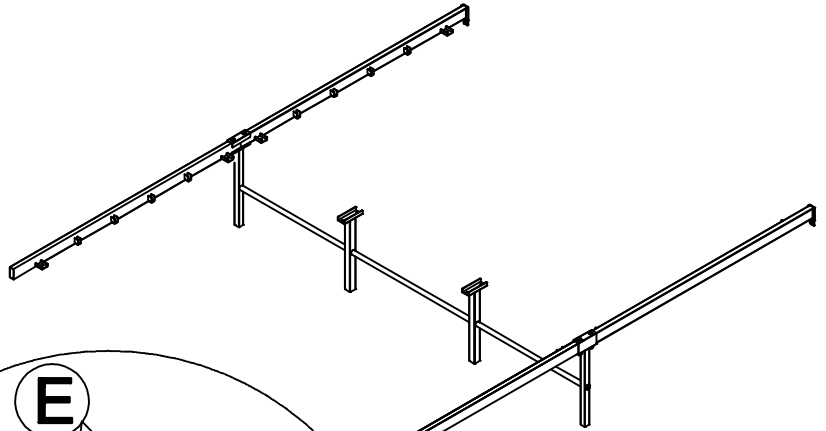
Step 3

B		M6 x 15	4pcs
H		4 #	1pcs






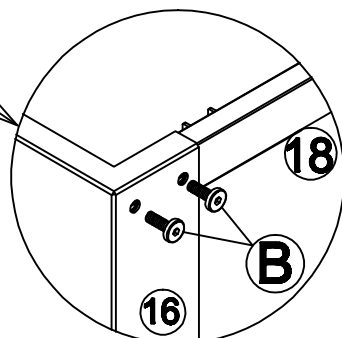
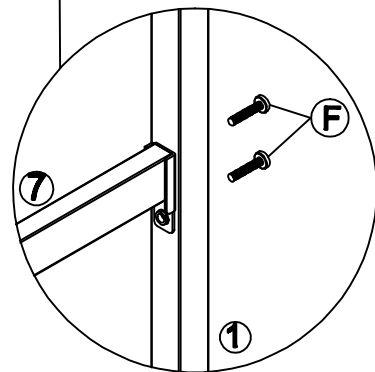
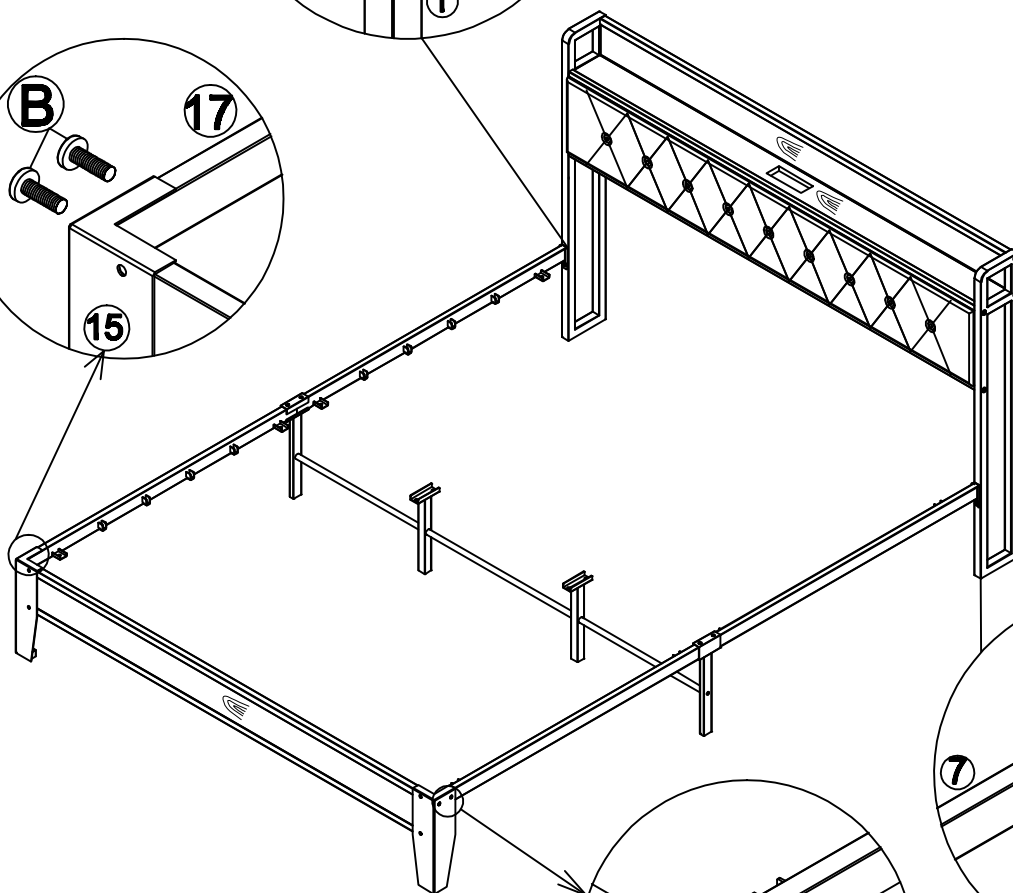
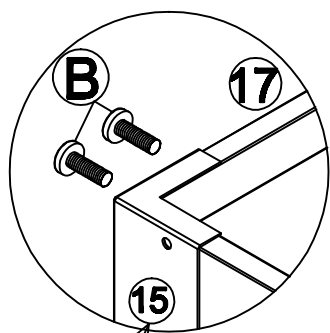
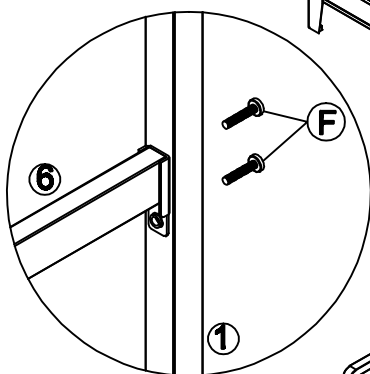
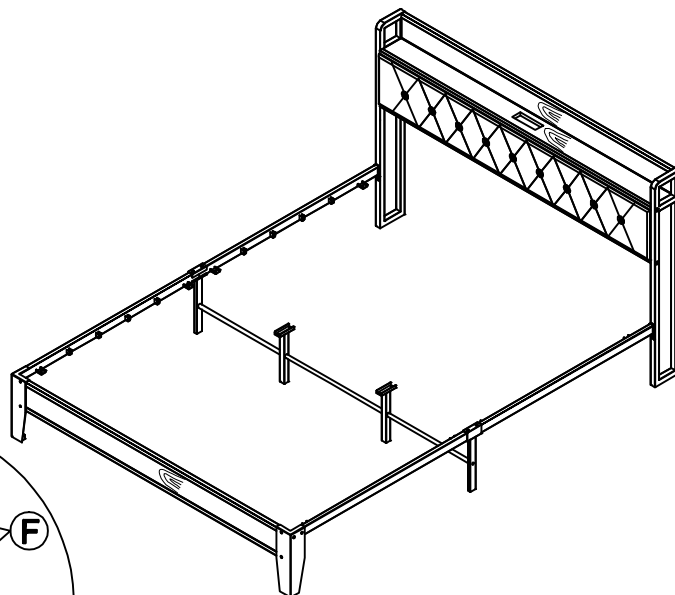
Step 4

D		M6 x 35	2pcs
E		M6 x 50	4pcs
H		4 #	1pcs





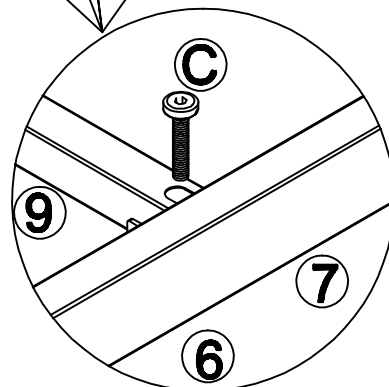
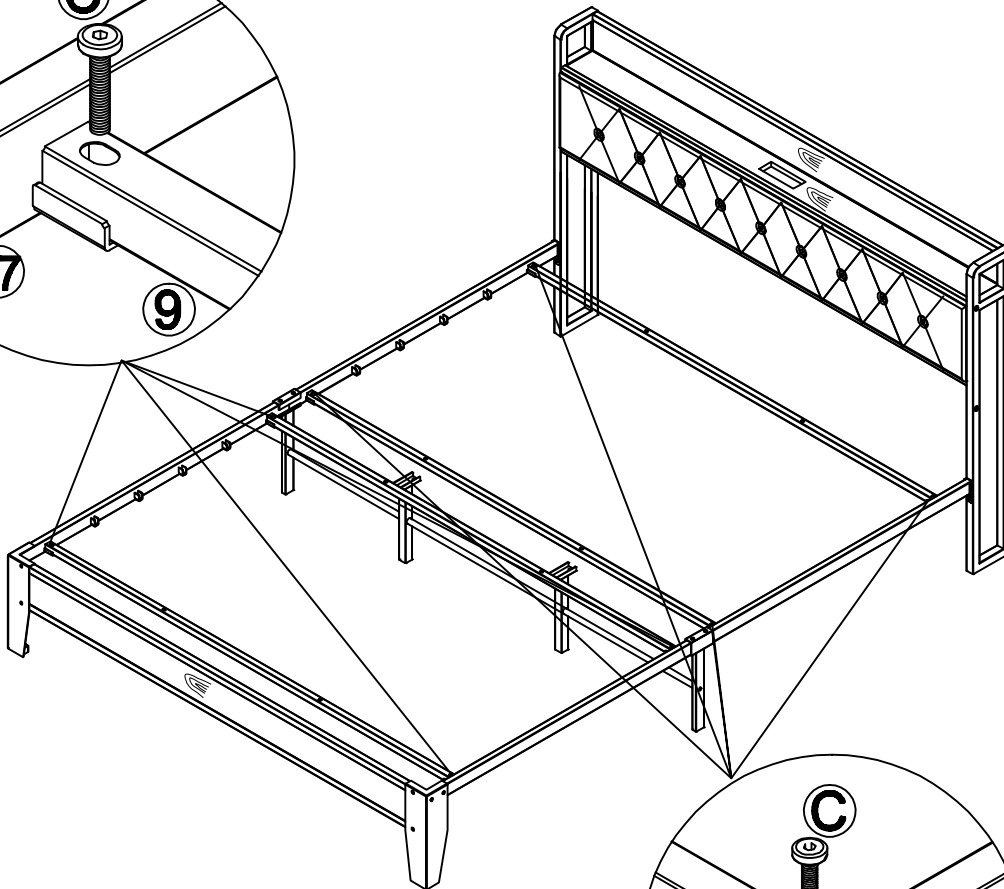
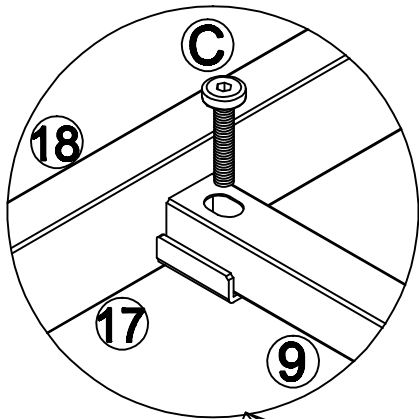
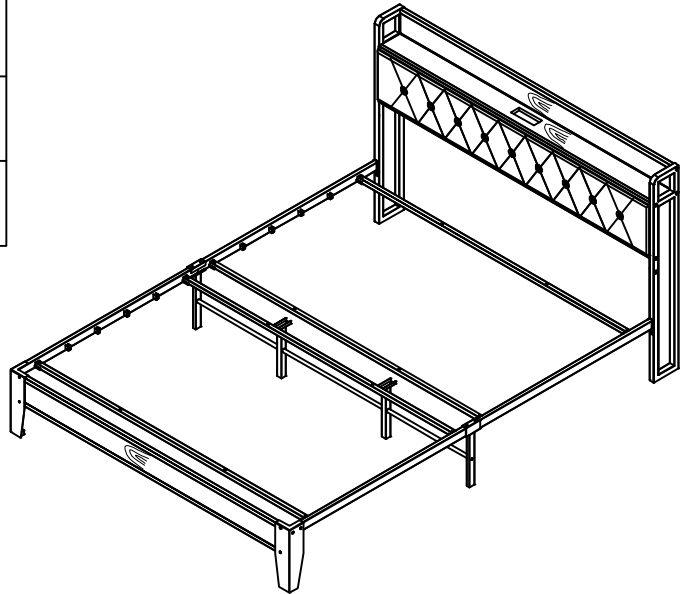
Step 5

B		M6 x 15	4pcs
F		M8 x 35	4pcs
H		4 #	1pcs

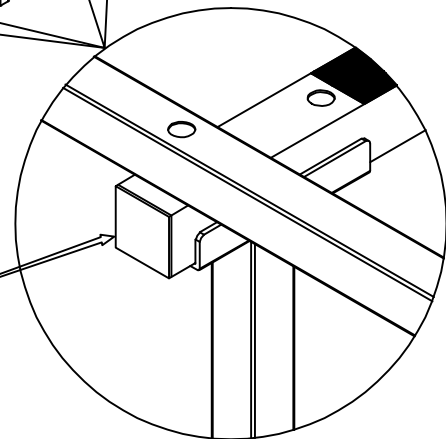
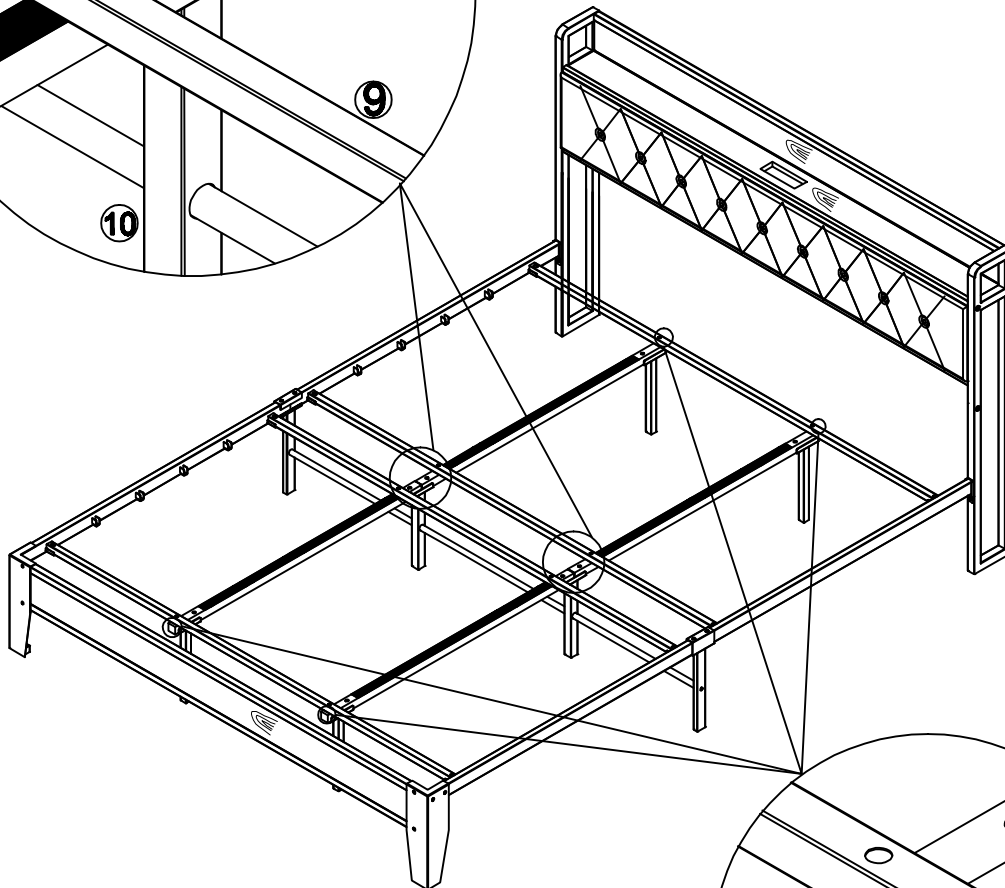
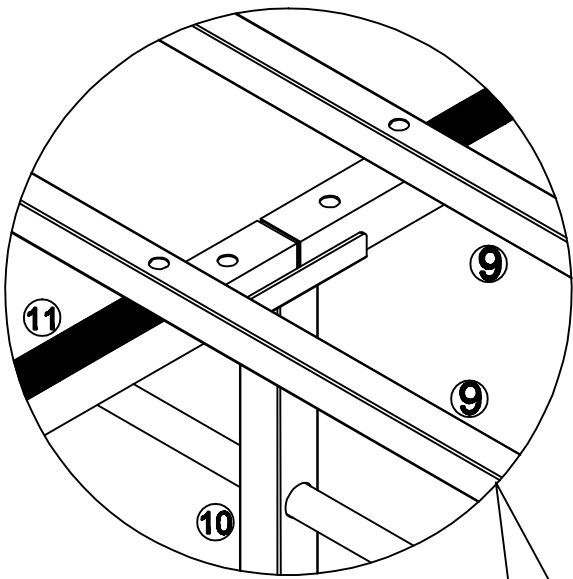
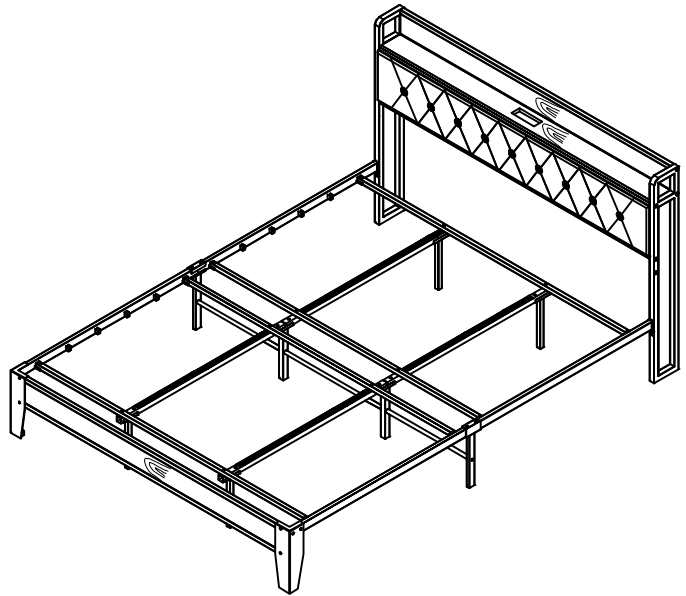


Step 6

C		M6 x 25	8pcs
H		4 #	1pcs






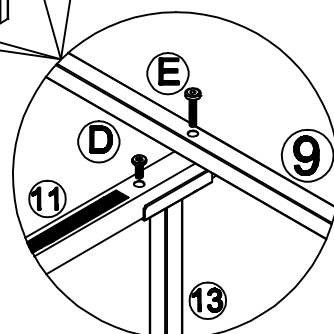
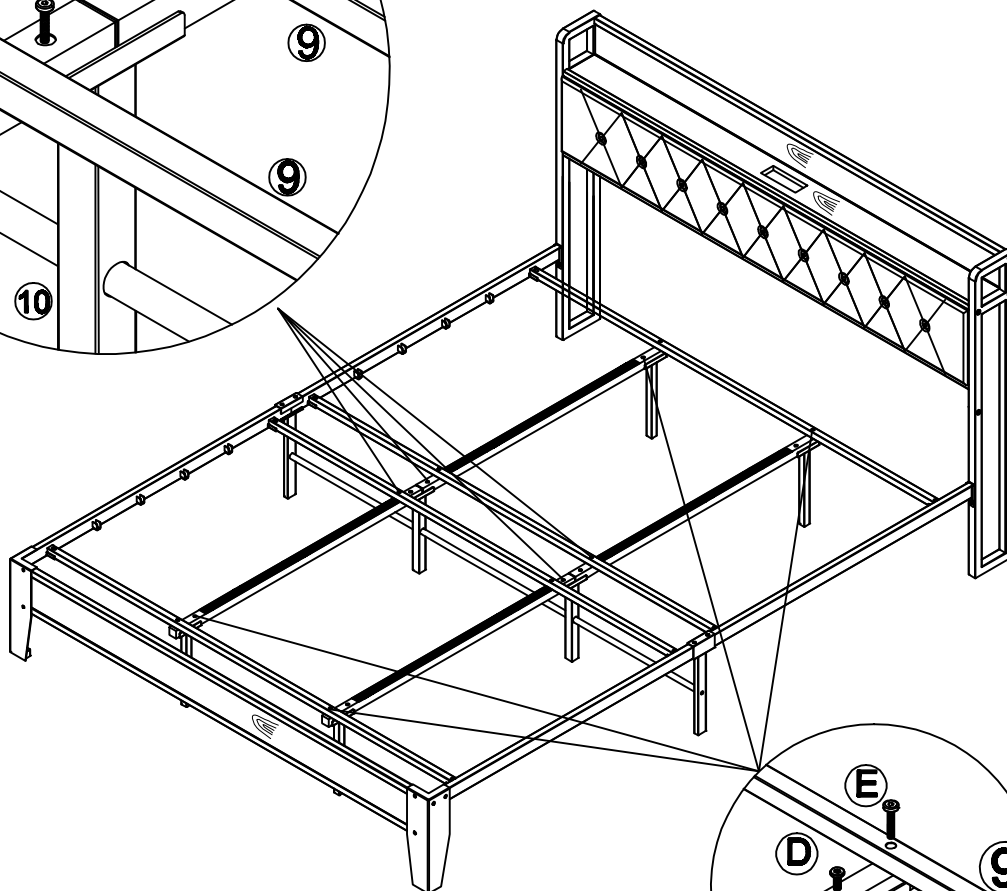
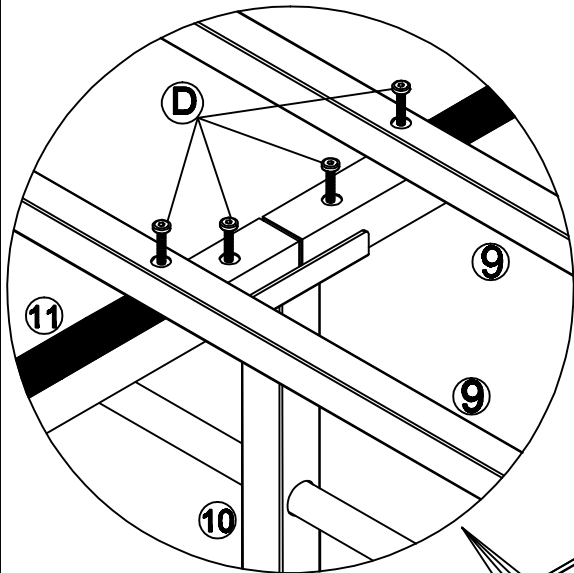
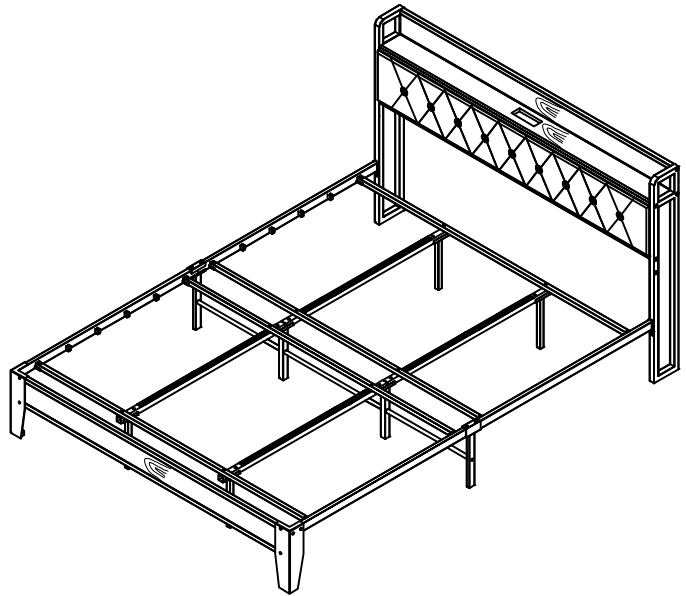
Step 7



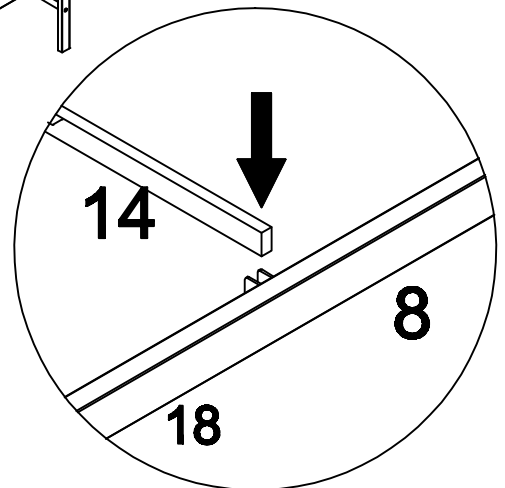
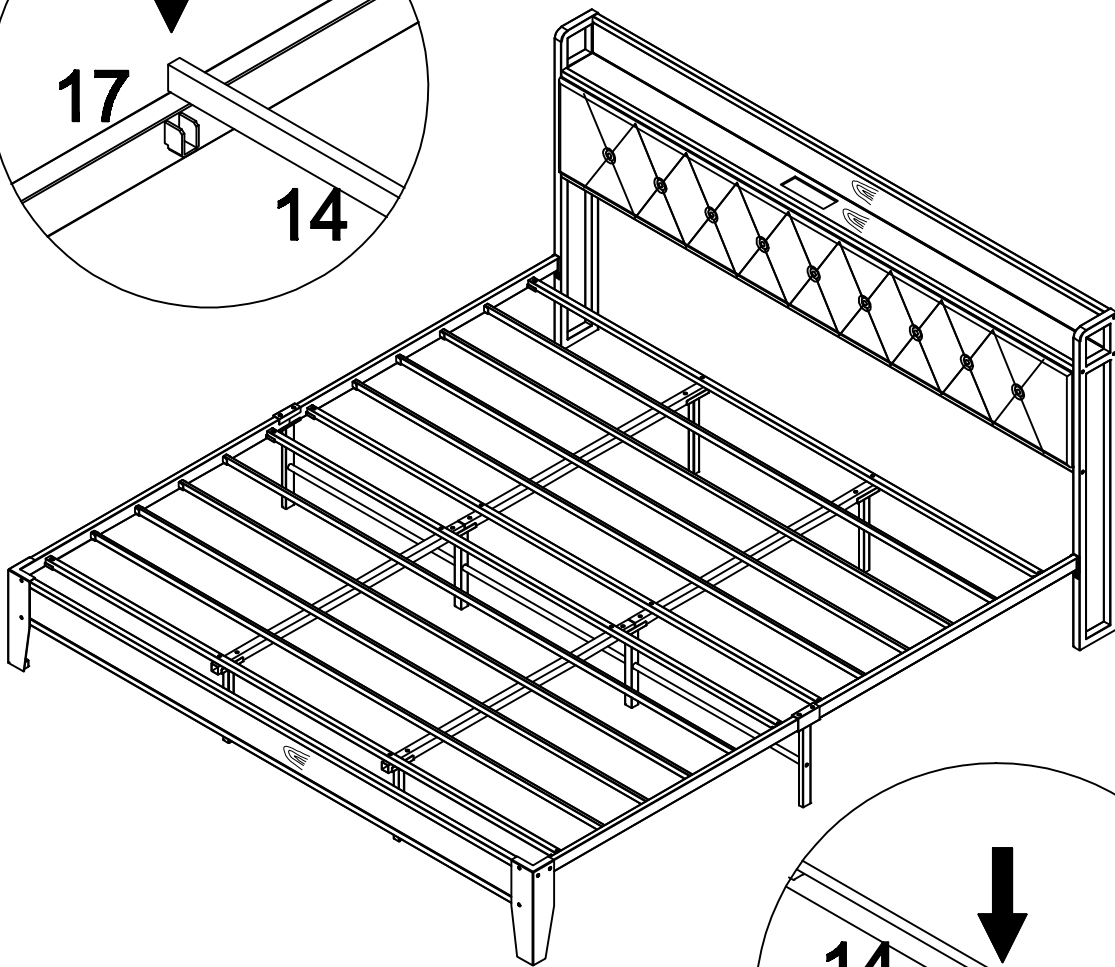
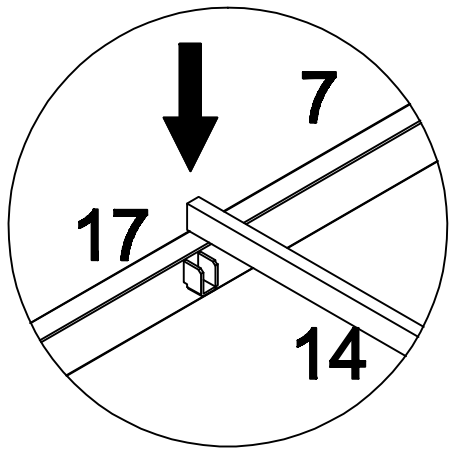
With Plastic Rectangle Ribbed Tube.

Step 8




D		M6 x 35	12pcs
E		M6 x 50	4pcs
H		4 #	1pcs



Step 9



Step 10

G		Ø3 x 10	2pcs
I			1pcs
J		4 #	1pcs

