

WARNING

- * Switch off the main electrical supply from the main fuse box / circuit breaker before installation.
- * Inspect item carefully before attempting to install.
- * If there is any damages or obvious defects, do not install.
- * Item may not be returned once it has been installed.

CARE AND MAINTENANCE

- * To clean the outside of the fixture, use a dry or slightly dampened clean cloth (use clean water, never a solvent) to wipe the surface of the fixture.
- * To clean the inside of the fixture, first disconnect power to the fixture by turning off the circuit breaker or by removing the fuse at the fuse box. Next, use a dry or slightly dampened clean cloth (use clean water, never a solvent) to wipe the interior surface of the fixture.
- * Do not use any cleaners with chemical, solvents or harsh abrasives. Use only a dry soft cloth to dust or wipe carefully.

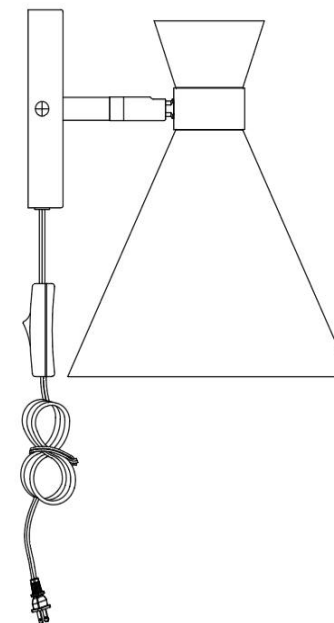
NOTICE& IMPORTANT SAFETY INSTRUCTIONS

- ** WE RECOMMEND INSTALLATION OF THIS LIGHTING FIXTURE BE DONE BY A LICENSED ELECTRICIAN **
- * Please make sure that you have all parts indicated before you begin assembly of this item
- * This item should be assembled on a soft surface to prevent scratching the finish during assembly
- * To reduce the risk of fire, electrical shock or injury to persons or property, please follow the guideline below for safe use and installation
- *The external flexible cable or cord of this lamp cannot be replaced
If the cord is damaged, the lamp shall be destroyed

Part List and Hardware List

PIECE	DESCRIPTION	PICTURE	QUANTITY	PIECE	DESCRIPTION	PICTURE	QUANTITY
A	Mounting bracket (type 1)		1X	C	Light bulb		1X
A1	Outlet box screw (type 1)		2X	D	Anchor (type 2)		2X
A2	Canopy screw		2X	E	Mounting bracket (type 2)		1X
B	Ground screw (type 1)		1X	F	Mounting Screw (type 2)		2X
B1	Wire nut (type 1)		3X	G	Fixture body		1X

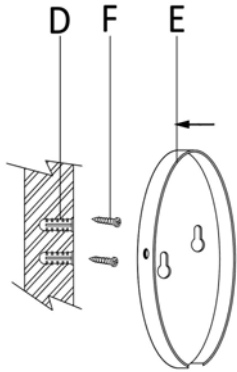
Product Dimensions:8"L X8.25"W X 9.25"H



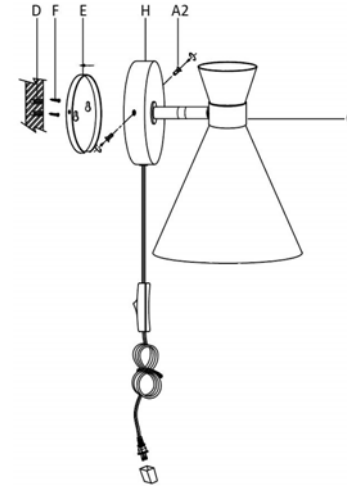
PREPARATION - FOR PLUG IN INSTALLATION

- * Before beginning assembly of product, make sure all parts are present. Compare parts with package contents list and hardware contents list.
- * If any part is missing or damaged, do not attempt to assemble the product.
- * Estimated Assembly Time: 20 minutes.
- * Tools Required for Assembly (not included): Screwdriver, Junction box

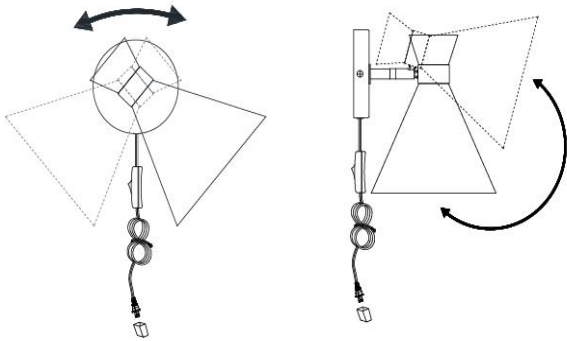
NOTE: PLEASE USE TYPE "A" BULB MAX 40-WATT OR LED BULB MAX 9-WATT, THERE IS LED 4-WATT BULB IN THE BOX



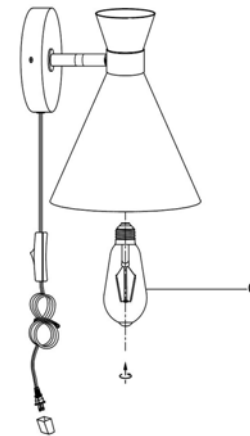
Step 1: Mark the 2 holes on the wall surface and drilling, thread the Anchor (D) into the holes, secure the mounting Screw (F) into the anchor (D). Hang the mounting bracket (E) on mounting Screw (F)



Step 2: Attach the backplate (H) to the mounting bracket (E), secure with canopy screw (A2).



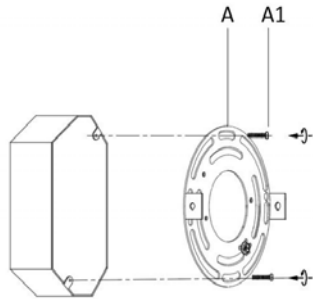
Step 4: You can adjust the lamp shade left and right
You can adjust the lamp shade Up and down



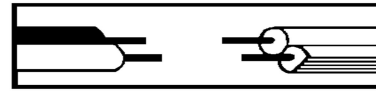
Step 5: Install the light bulb (C) to the socket.

PREPARATION - FOR HARDWIRE INSTALLATION

- * Before beginning assembly of product, make sure all parts are present. Compare parts with package contents list and hardware contents list.
- * If any part is missing or damaged, do not attempt to assemble the product.
- * Estimated Assembly Time: 20 minutes.
- * Tools Required for Assembly (not included): Screwdriver, Junction box



Step 1: Secure mounting plate (A) to outlet box with mounting screws (A1) .



Step 2: Wire connection

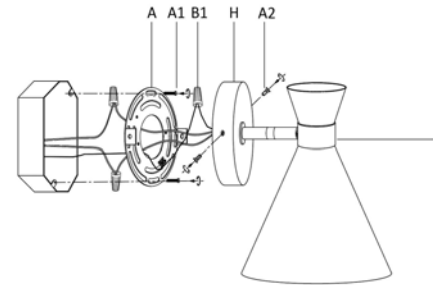
Connect fixture neutral wire (ribbed) to the outlet box neutral wire (usually white) using a wire nut. Connect fixture hot wire (smooth with markings) to the outlet box hot wire (usually black) using a wire nut.

Grounding Instructions:

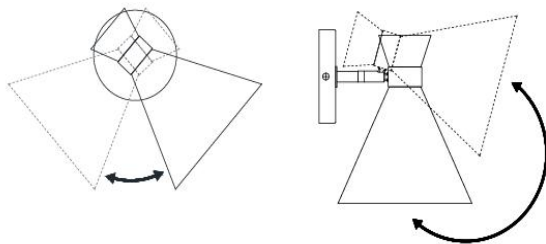
Wrap ground wire from outlet box around green ground screw(B) on mounting bracket, no less than 2" from wire end. Tighten ground screw. If fixture is supplied with a ground wire, connect to outlet ground wire with a wire connector.



Step 2: Cut off the plug with scissors, leaving the exposed wire 8" in length.



Step 3: Attach the backplate (H) to the mounting bracket (A), secure with canopy screw (A2).



Step 4: You can adjust the lamp shade left and right

You can adjust the lamp shade Up and down



Step 5: Install the light bulb (C) to the socket.