

OSLO 3 DRAWER BEDSIDE TABLE

Assembly Instructions

Before you begin...

1. Please check in your desired room of use.
2. Unpack all boxes and lay out each component on the floor.
3. Check your product for any damage that may be immediately obvious. If damage is identified, please contact your retailer.
4. Please read through these instructions thoroughly to ensure you have constructed your bed correctly.

For Care and Maintenance of your bed...

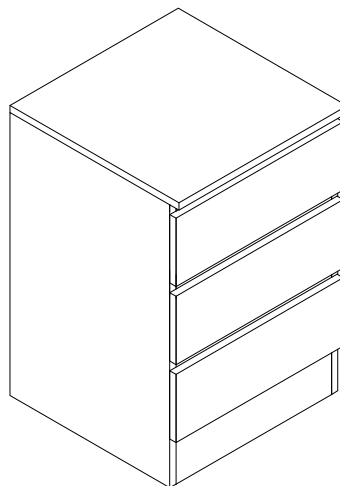
- Always assemble in your desired room of use.
- Always check all screw and fixings periodically to ensure they are still secure.
- Do not push or pull this product as it will cause damage.
- Always lift this product with a second person to prevent damage or injury.
- Keep any sharp objects away from this product.

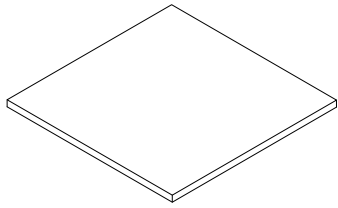
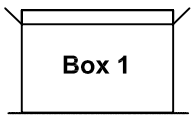
For your Health and Safety...

- Do not use this bed if you find missing, damaged or worn parts. Please contact your retailer.
- Please do not use this bed until you have fully secure all fixings.
- Please keep all small components away from children.
- Always use on a level even surface.

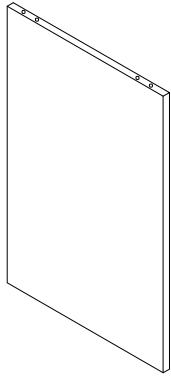
Also...

If your desired room of choice has a non-carpeted surface ensure please that you use some form of anti-slip protection and **do not** place directly on the wooden floor. This will prevent the item from moving and therefore collapsing which will void your guarantee...

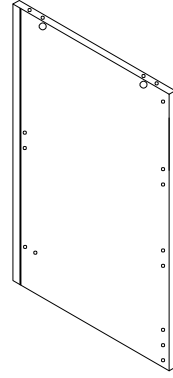




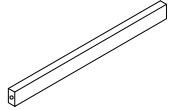
1. Top Panel (x1)



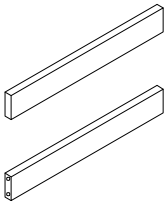
2. Left Side Panel (x1)



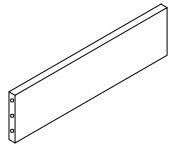
3. Right Side Panel (x1)



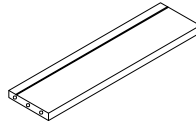
4. Top Support Bar (x1)



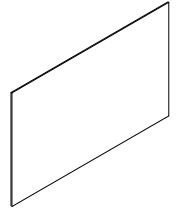
5. Drawer Support Bar (x2)



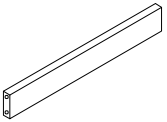
6. Leg Panel (x1)



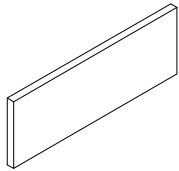
7. Back Support Panel (x1)



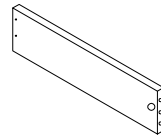
8. Back Panel (x2)



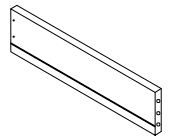
9. Back Inner Panel (x1)



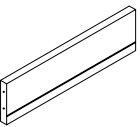
10. Drawer Front Panel (x3)



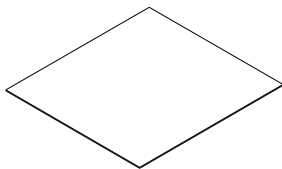
11. Drawer Side Panel (L) (x3)



12. Drawer Side Panel (R) (x3)



13. Drawer Back Panel (x3)

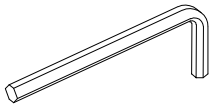


14. Drawer Bottom Panel (x3)

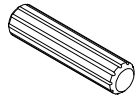


Hardware

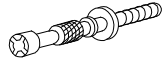
All fitting are stored within Box 1



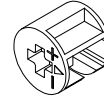
A.Allen Key (x1)



B.Plastic Dowel (x32)



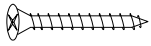
C.Minifix Bolt (x20)



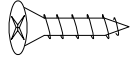
D.Minifix Housing (x20)



E.Minifix Cap (x20)



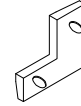
F.CSK Screw M4x50mm (x12)



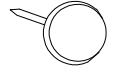
G.CSK Screw M3.5x16mm (x44)



H.Drawer Slider (x3)



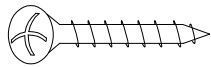
I.L Bracket (x4)



J.White Nail Leg (x4)



K.H Profile (x1)

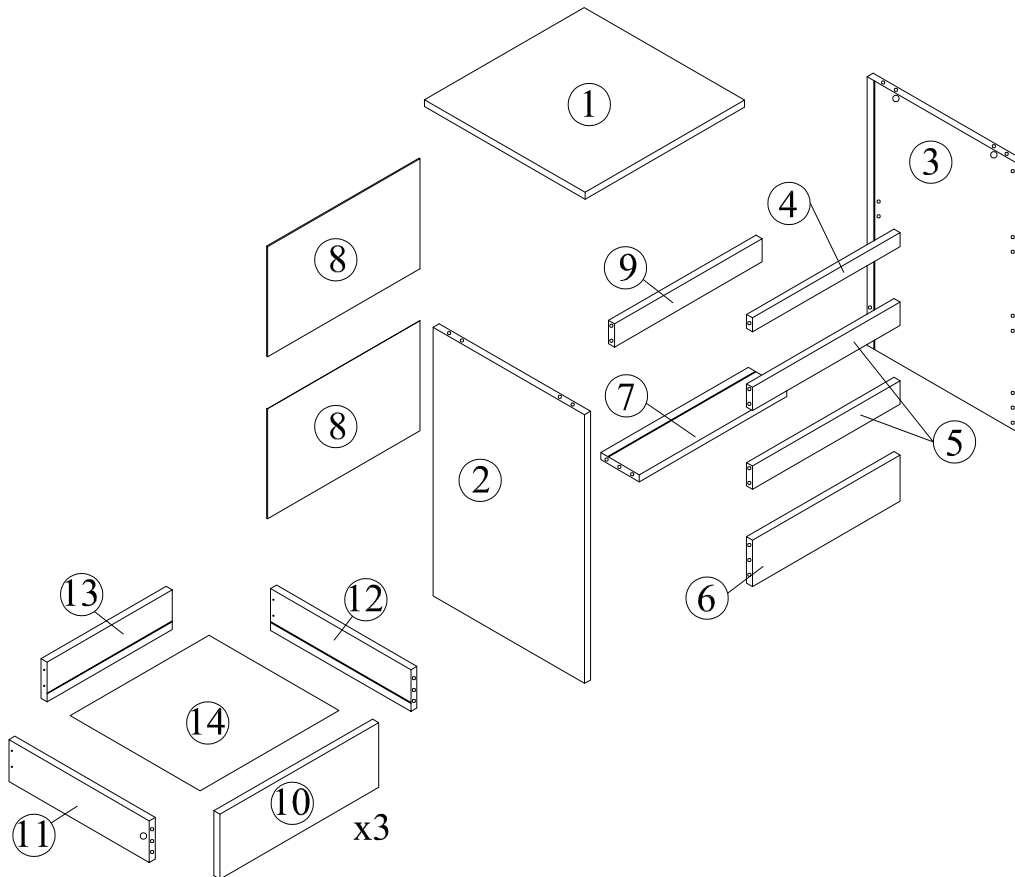


L.CSK Screw M4x18mm Black (x2)

*You will need a screwdriver (not provided)

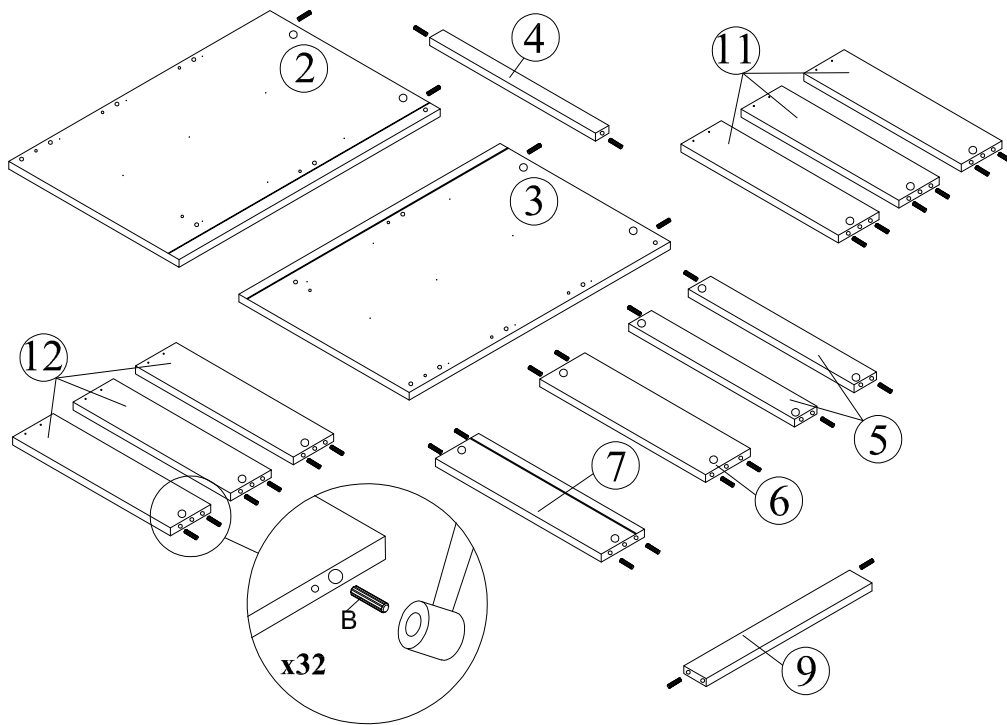
Step 1

Unpack all components from the boxes and check you are not missing anything.Please check these against the list on page 3 & 4.Should you identify any missing components,please contact the retailer you purchased the item from.



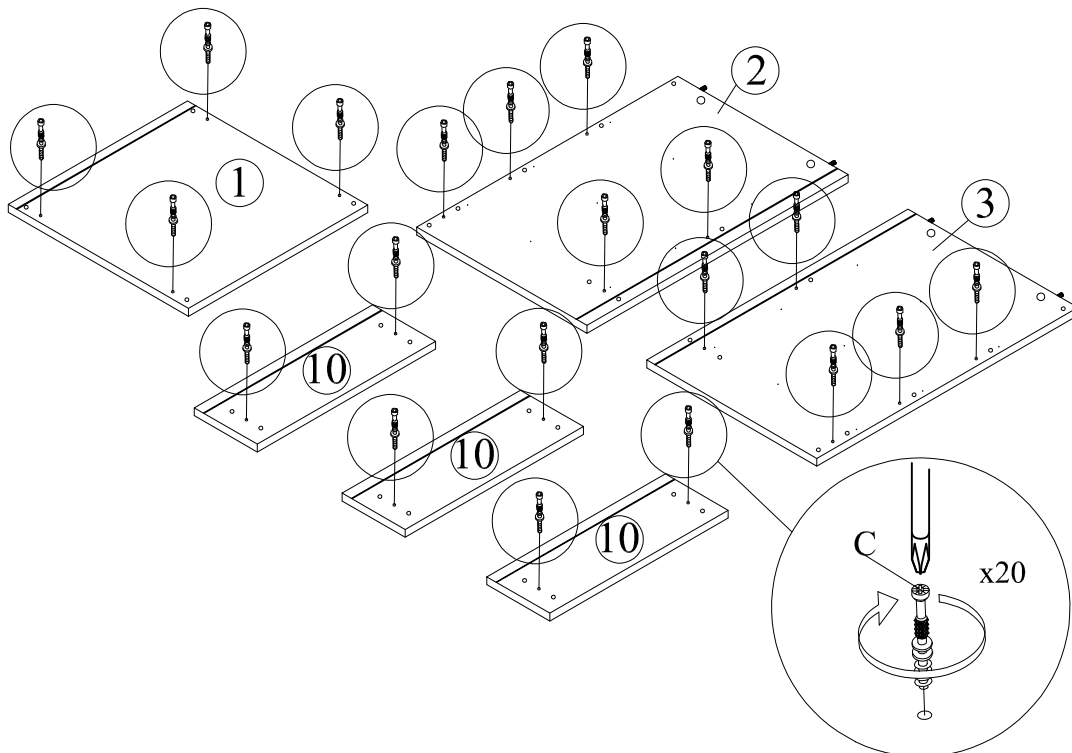
Step 2

Attach the 32x Wood Dowel (B) to the all parts as shown.



Step 3

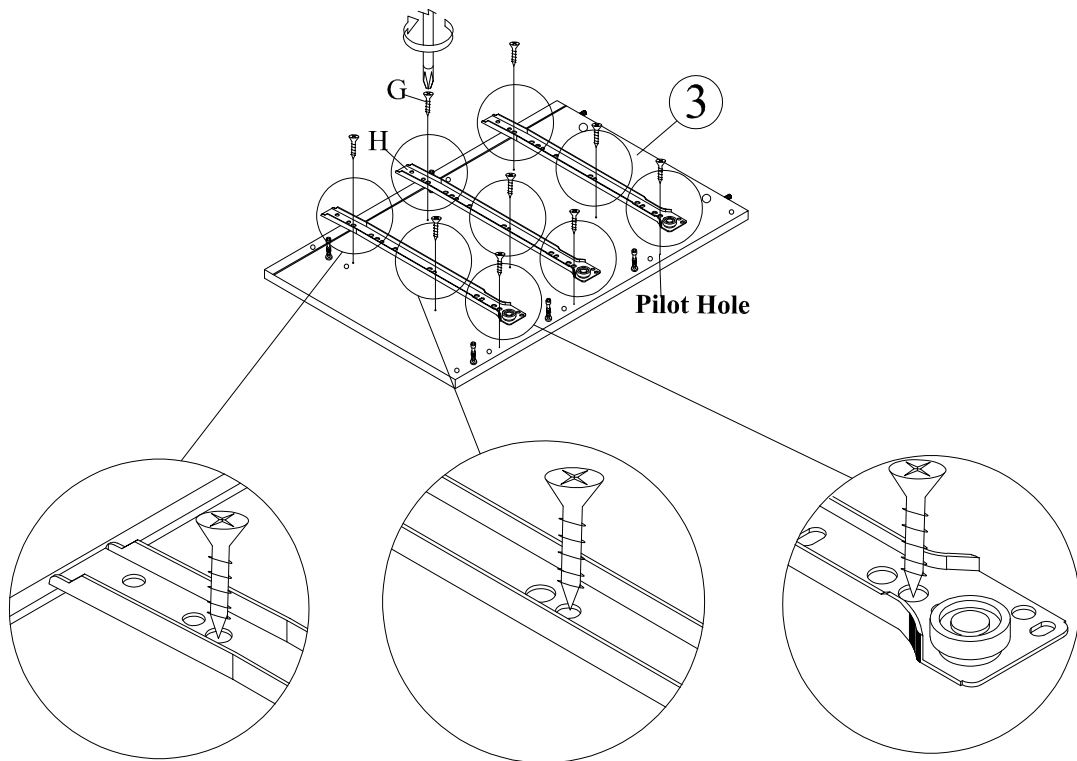
Attach the 20x Minifix Bolt (C) to the all parts as shown.



DO NOT use any power tools as this may damage the frame and will invalidate any claim.

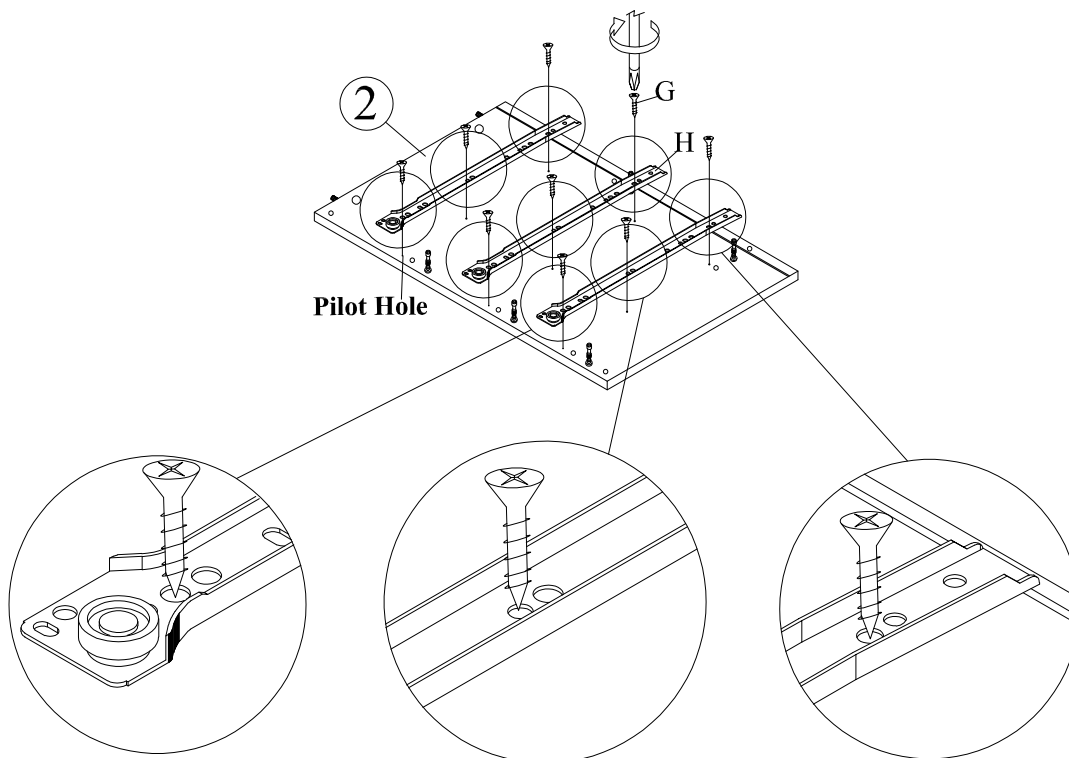
Step 4

Attach the 3x Drawer Slider (H) to 1x Right Side Panel (3) using 9x CSK Screw M3.5x16mm (G).



Step 5

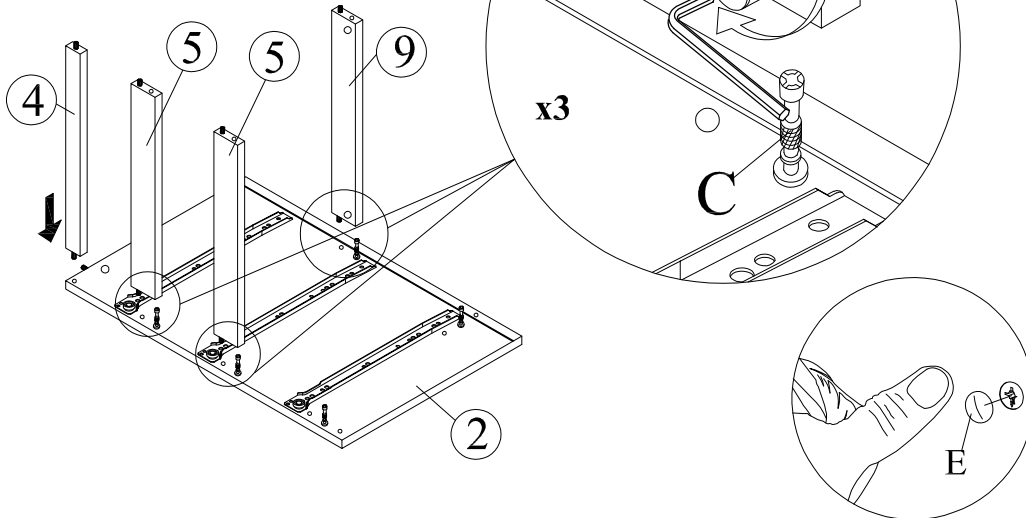
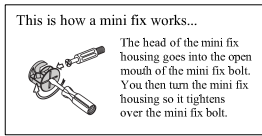
Attach the 3x Drawer Slider (H) to 1x Left Side Panel (2) using 9x CSK Screw M3.5x16mm (G).



DO NOT use any power tools as this may damage the frame and will invalidate any claim.

Step 6

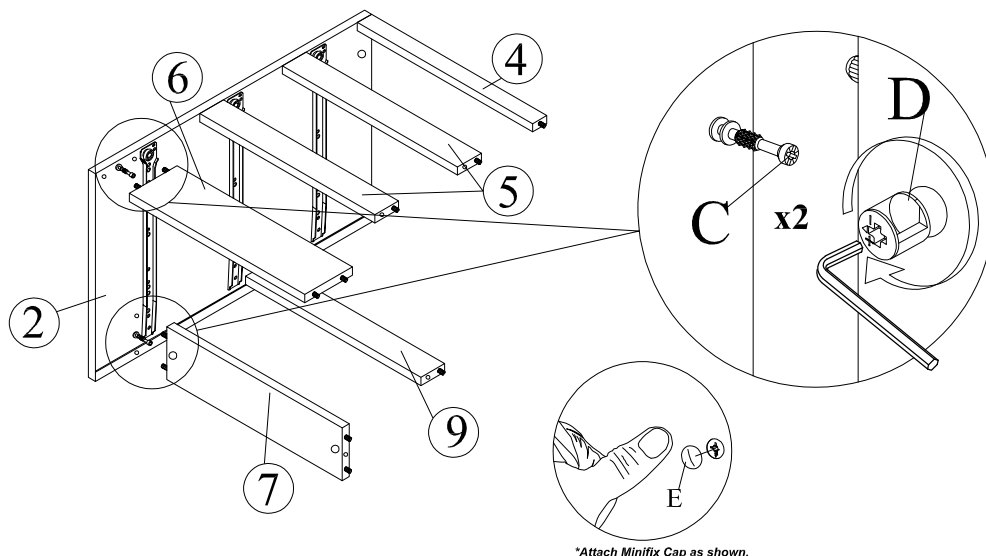
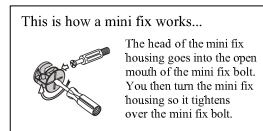
Attach the 1x Top Support Bar (4), 2x Drawer Support Panel (5), 1x Back Inner Panel (9) to 1x Left Side Panel (2) using 3x Minifix Bolt (C) and 3x Minifix Housing (D) and 3x Minifix Cap (E). Turn the 3x Minifix Housing (D) to tighten using the 1x Allen Key (A) or screwdriver (not provided). Cover the 3x Minifix Housing (D) using the 3x Minifix Cap (E) by pressing it into the Minifix House.



*Attach Minifix Cap as shown.

Step 7

Attach the 1x Back Support Panel (7) and 1x Leg Panel (6) to 1x Left Side Panel (2) using 2x Minifix Bolt (C) and 2x Minifix Housing (D) and 2x Minifix Cap (E). Turn the 2x Minifix Housing (D) to tighten using the 1x Allen Key (A) or screwdriver (not provided). Cover the 2x Minifix Housing (D) using the 2x Minifix Cap (E) by pressing it into the Minifix House.



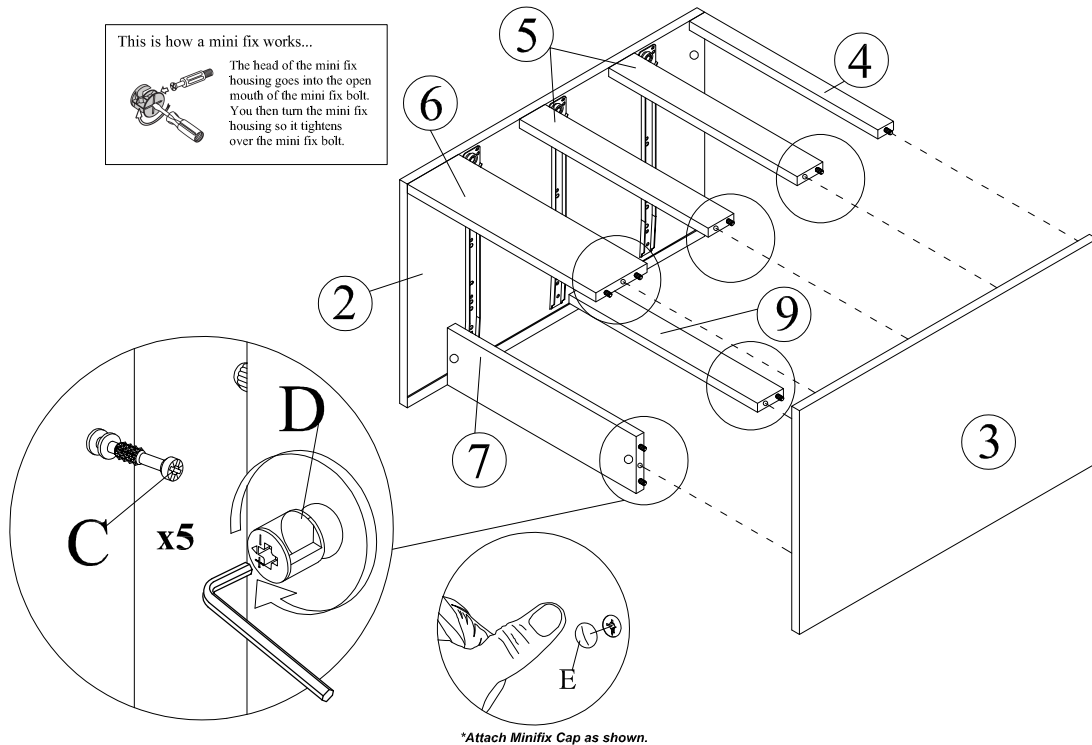
*Attach Minifix Cap as shown.

DO NOT use any power tools as this may damage the frame and will invalidate any claim.

Step 8

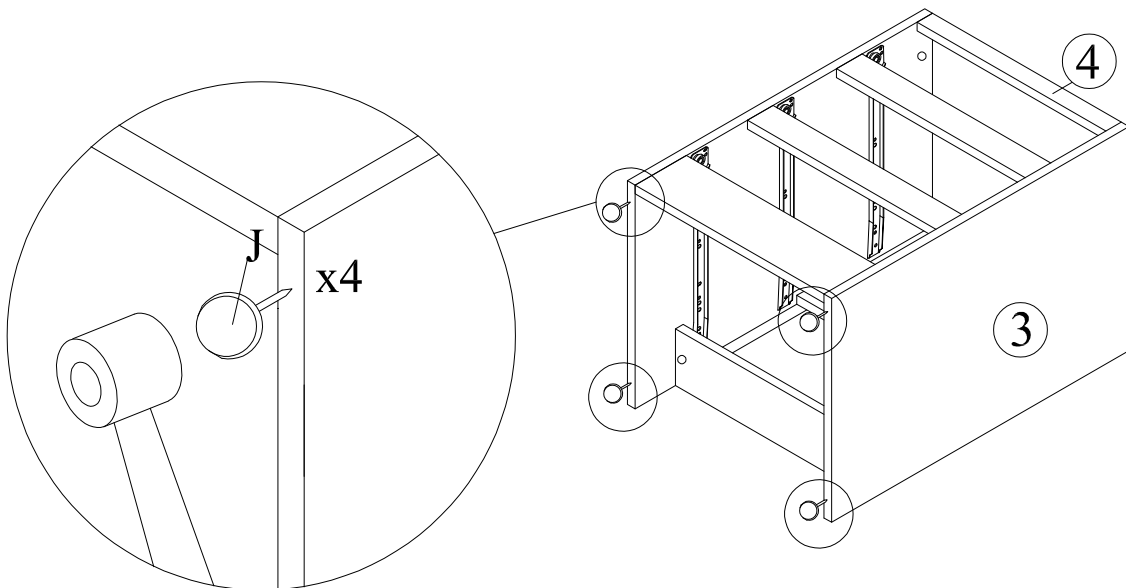
Attach the 1x Top Support Bar (4), 2x Drawer Support Panel (5), 1x Back Inner Panel (9), 1x Back Support Panel (7) and 1x Leg Panel (6) to 1x Left Side Panel (2) using 2x Minifix Bolt (C) and 2x Minifix Housing (D) and 2x Minifix Cap (E). Turn the 2x Minifix Housing (D) to tighten using the 1x Allen Key (A) or screwdriver (not provided).

Cover the 2x Minifix Housing (D) using the 2x Minifix Cap (E) by pressing it into the Minifix House.



Step 9

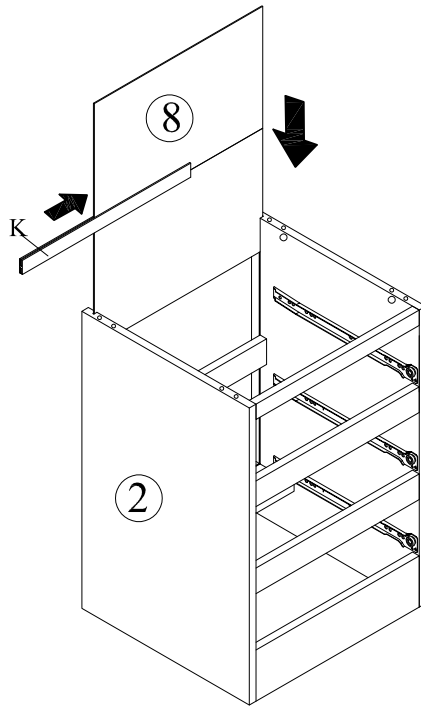
Attach the 4x White Nail Leg (J) to 1x Left Side Panel (2) and 1x Right Side Panel (3) using Hammer



DO NOT use any power tools as this may damage the frame and will invalidate any claim.

Step 10

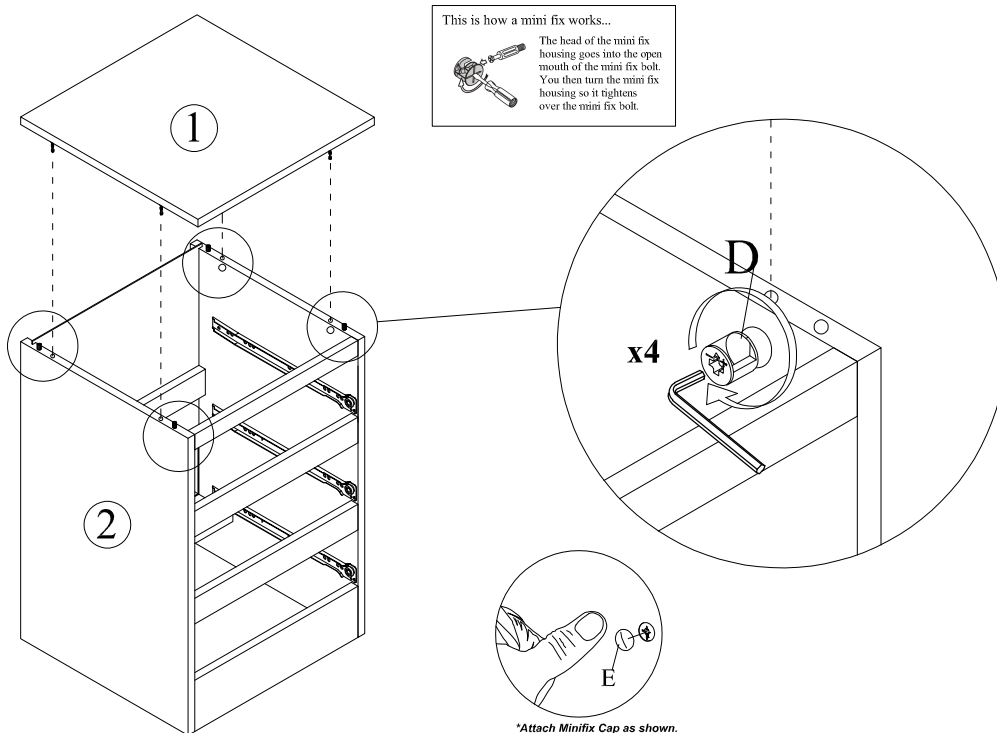
Slot the 1x H Profile (K) in between 2x Back Panel (8), then slot in the side at 1x Right Side Panel (3) and 1x Left Side Panel (2)



Step 11

Attach the 1x Top Panel (1) to 1x Right Side Panel (3) and 1x Left Side Panel (2) using 4x Minifix Bolt (C) and 4x Minifix Housing (D) and 4x Minifix Cap (E). Turn the 4x Minifix Housing (D) to tighten using the 1x Allen Key (A) or screwdriver (not provided).

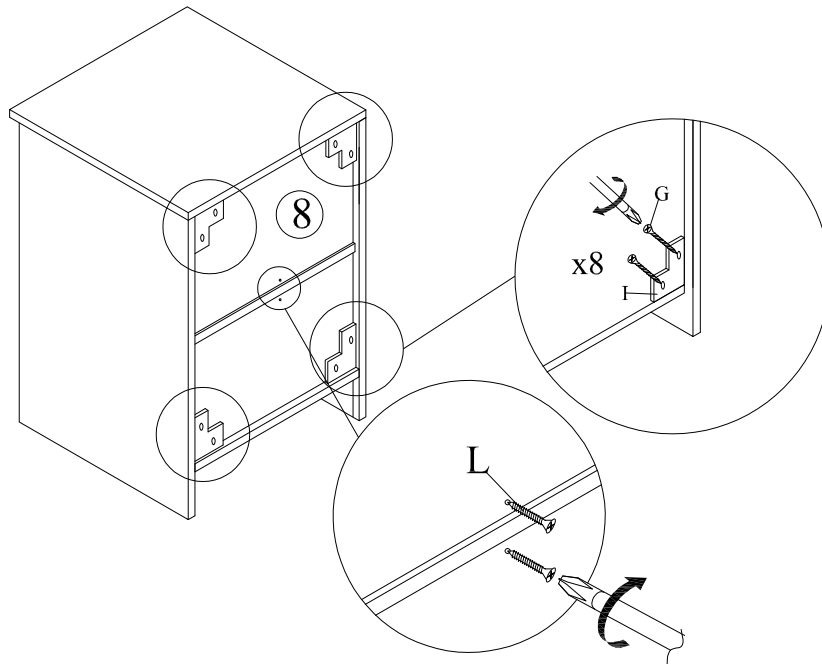
Cover the 4x Minifix Housing (D) using the 4x Minifix Cap (E) by pressing it into the Minifix House.



DO NOT use any power tools as this may damage the frame and will invalidate any claim.

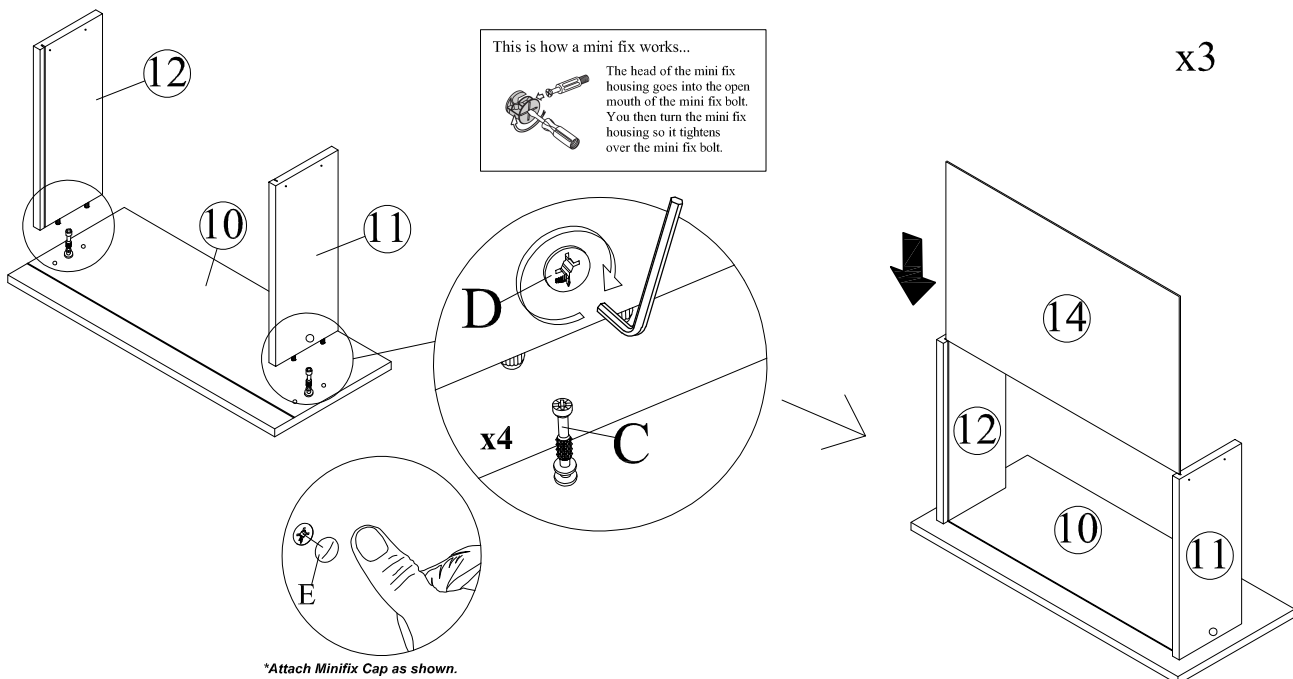
Step 12

Attach the 4x L Bracket (I) to 1x Right Side Panel (3), 1x Left Side Panel (2), 1x Top Panel (1) and 1x Back Support Panel (7) using 8x CSK Screw M3.5x16mm (G). Tighten 2x CSK Screw M4x18mm Black (L) with a screwdriver (not provided).



Step 13

Attach the 3x Drawer Side Panel (R) (12), 3x Drawer Side Panel (L) (11) to 3x Drawer Front Panel (10) using 4x Minifix Bolt (C) and 4x Minifix Housing (D) and 4x Minifix Cap (E). Turn the 4x Minifix Housing (D) to tighten using the 1x Allen Key (A) or screwdriver (not provided). Cover the 4x Minifix Housing (D) using the 4x Minifix Cap (E) by pressing it into the Minifix House. Slot 3x Bottom Panel (14) to 3x Drawer Side Panel (L) (11) and 2x Drawer Side Panel (R) (12).

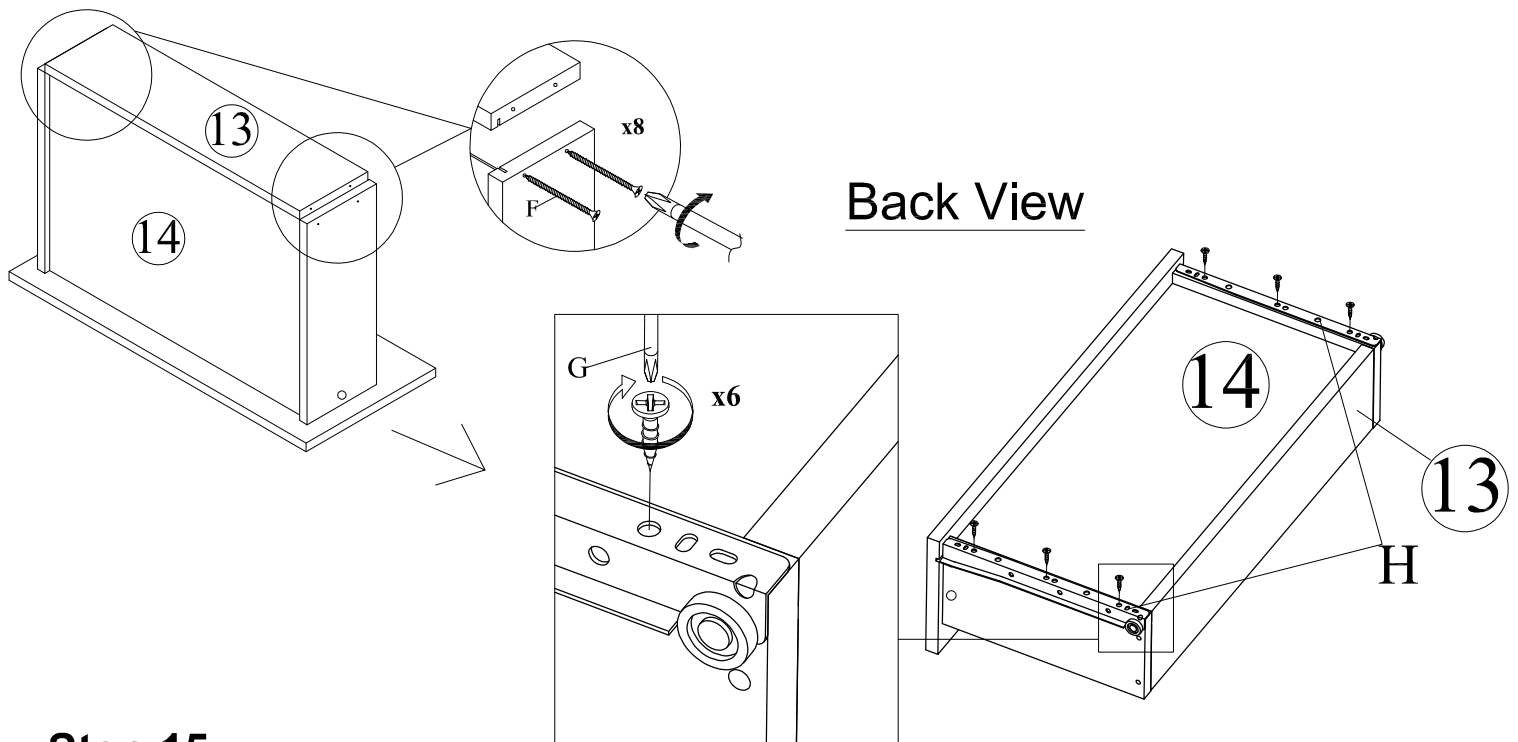


DO NOT use any power tools as this may damage the frame and will invalidate any claim.

Step 14

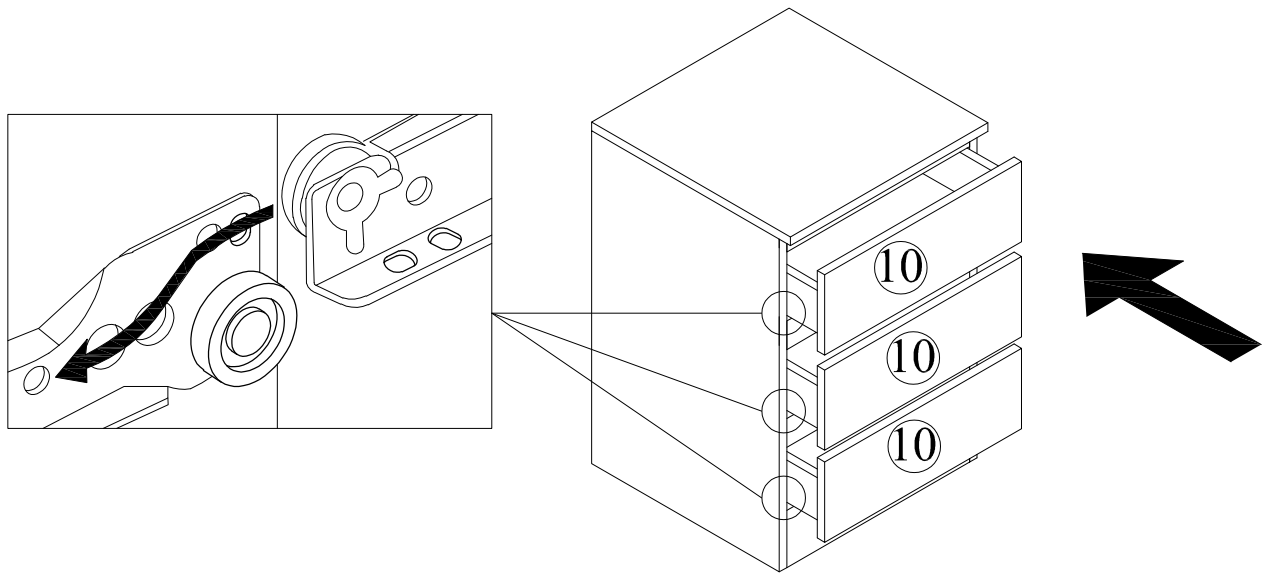
Tighten 3x Drawer Back Panel (13) using 12x CSK Screw M4x50mm (F). Tighten the 18x CSK Screw M3.5x16mm (G) to 3x Drawer Slider (H) and to the Side Panel (L/R) as shown.

x3



Step 15

Insert the drawer on the slider as shown



DO NOT use any power tools as this may damage the frame and will invalidate any claim.