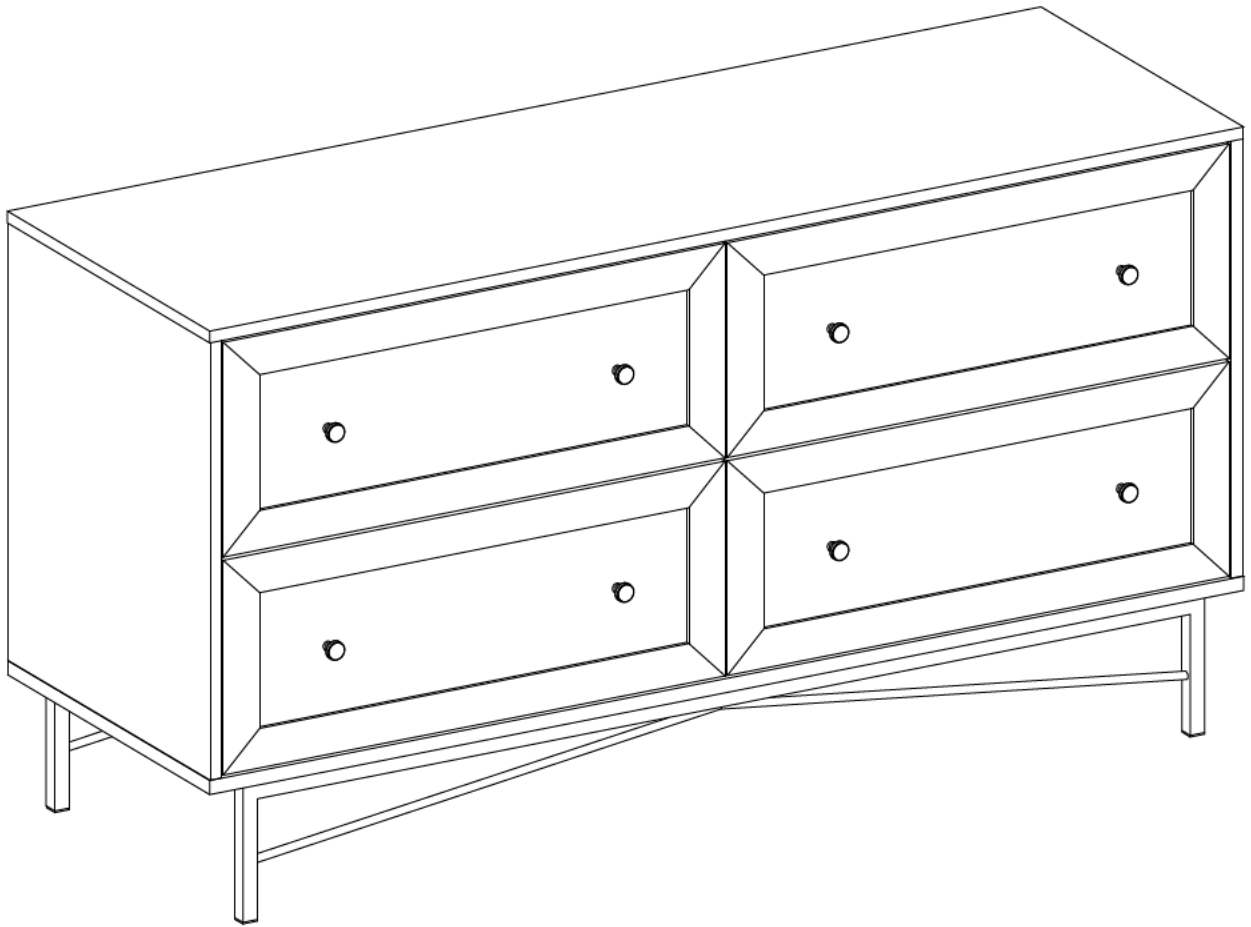
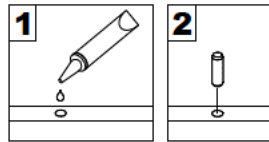


Assembly Instructions

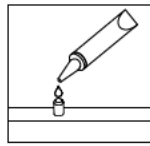


General Assembly Guidelines

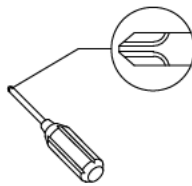
- I. Ensure that all parts and hardware are available before beginning assembly.
- II. Follow each step carefully to ensure the proper assembly of this product.
- III. Two people are recommended for ease in the assembly of this product.
- IV. The three main types of hardware used to assemble this product are: wood dowels, screws and bolts.
- V. The provided glue is to secure wood dowels in place. When first inserting dowels, locate the appropriate hole for the dowel, place a small amount of glue in the hole and insert the dowel. Wipe away excess glue immediately.



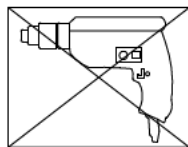
In future assembly steps when dowels are necessary to attach assembly parts together, place a small amount of glue on the end of the dowel before attaching parts together. Wipe away excess glue immediately.



- VI. A Phillips head screwdriver is required for the assembly of this product .

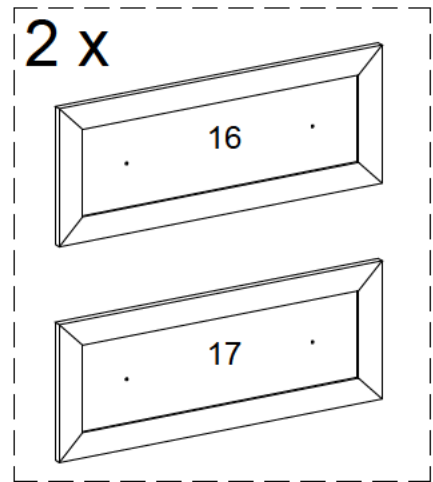
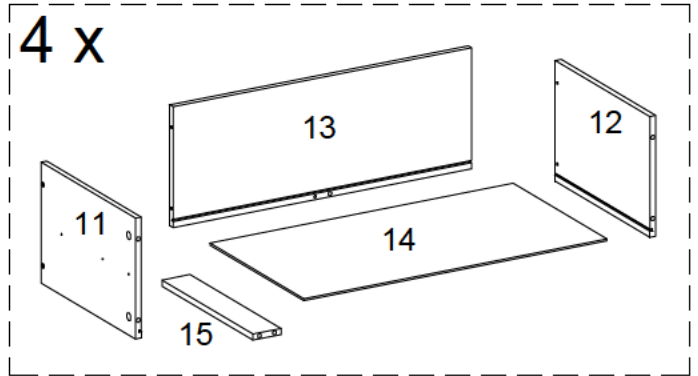
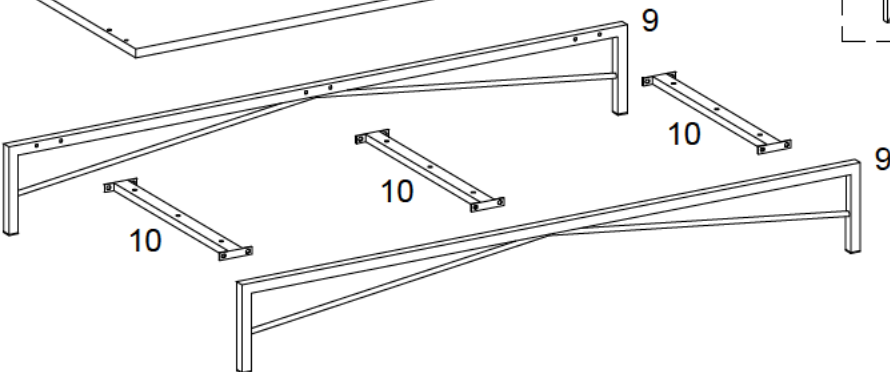
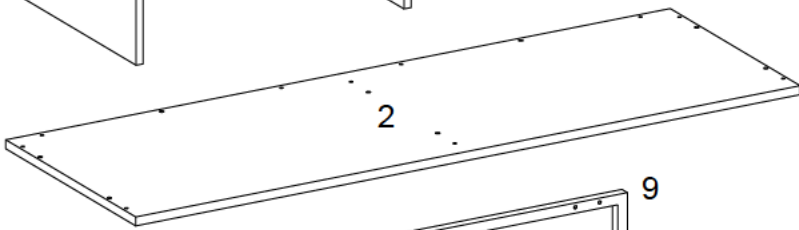
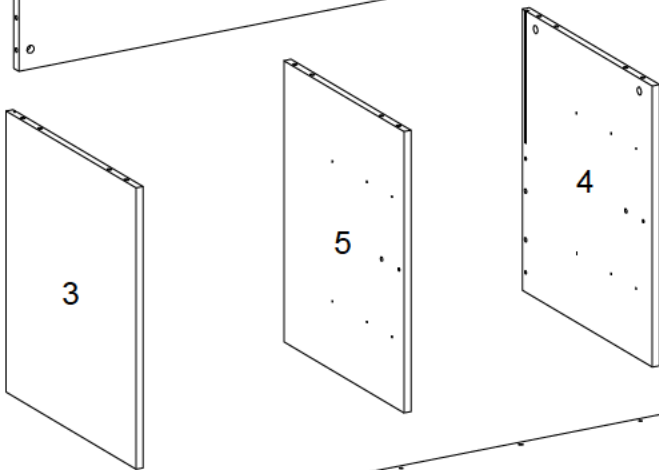
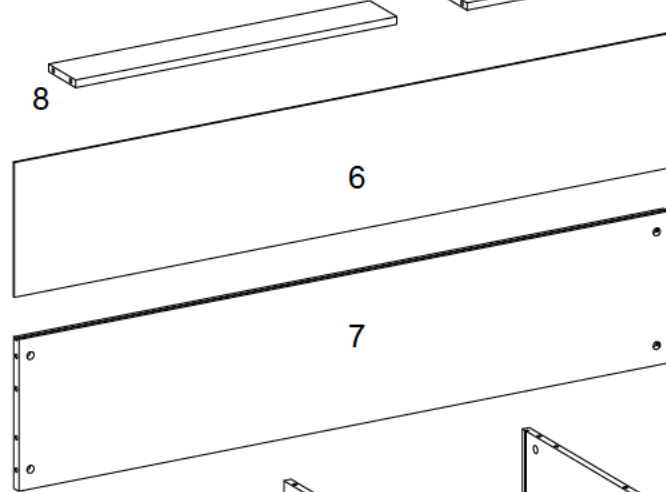
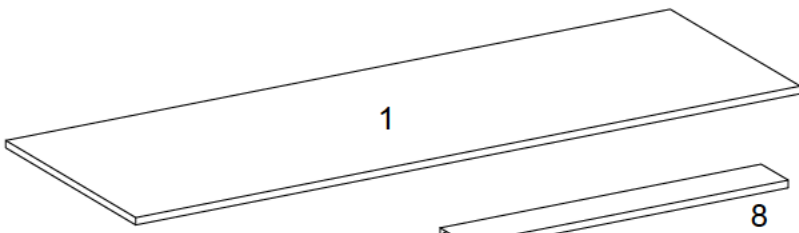


- VII. Power tools should not be used to assemble this product.




















- VIII. Drill may be needed for securing product to wall.








Parts List



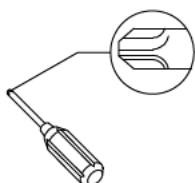
Hardware List

A		Ø8x30mm	Wooden dowel	20 pcs
B		Ø8x50mm	Wooden dowel	1 pc
C		Ø6x35mm	Cam bolt	32 pcs
D		Ø6x64mm	Cam bolt	1 pc
E		Ø15x11mm	Cam lock	14 pcs
F		Ø15x9mm	Cam lock	20 pcs
G		Ø30mm	Sticker	34 pcs
H		Ø6x50mm	Screw	10 pcs
J		Ø6x12mm	Bolt	12 pcs
K		Ø6x25mm	Bolt	9 pcs
L		M 4	Hex key	1 pc
M			Handle	8 pcs
N		Ø4x10mm	Handle Bolt	8 pcs
P		Ø3x17mm	Screw	6 pcs
Q			Plastic wedge	6 pcs
R		Ø4x38mm	Screw	20 pcs
S		Ø3x12mm	Screw	48 pcs

Hardware List

T		Ø4x12mm	Screw	2 pcs
U		Ø4x25mm	Screw	2 pcs
V			Plastic strap	2 pcs
W			Nut	2 pcs
X		Ø6x30mm	Wooden dowel	8 pcs
Y			Glue tube	2 pcs
Z		12"	Drawer slider	4 sets

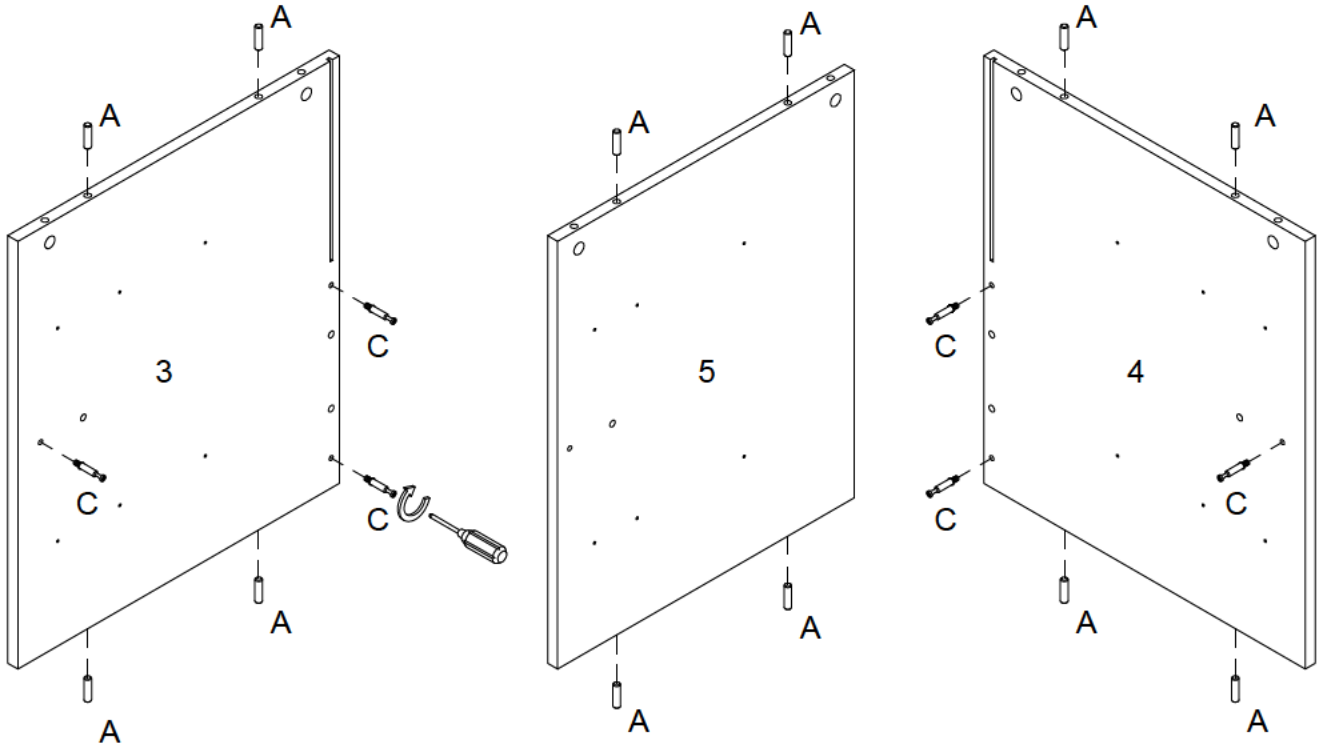
* Note: This piece comes preassembled for shipping purposes and must be disassembled to complete the desk assembly.



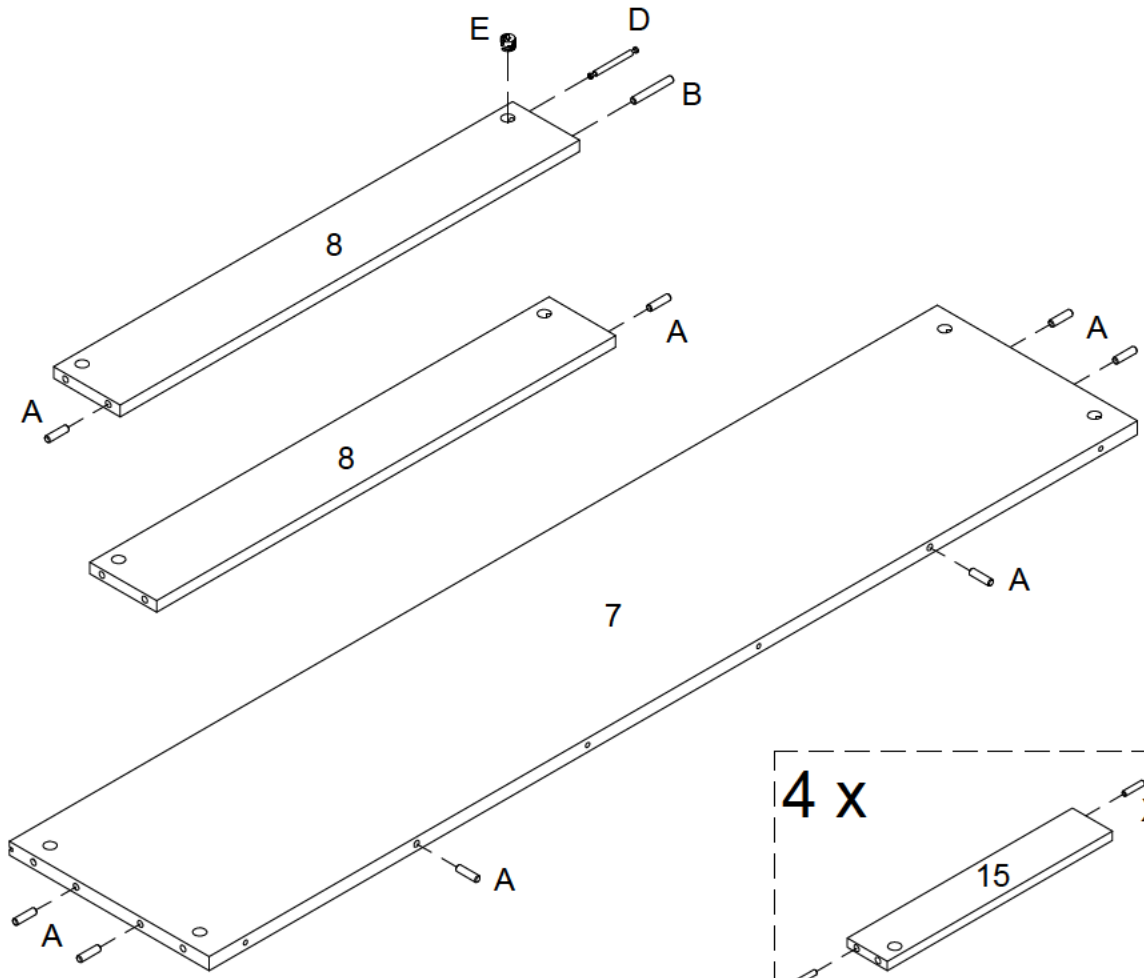
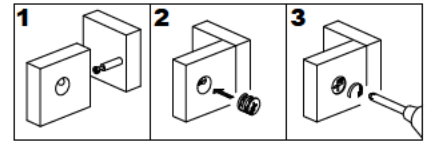
Philips head screwdriver required for assembly
(not included)

*The hardware quantities listed above are required for proper assembly.
Some extra hardware may also have been included.*

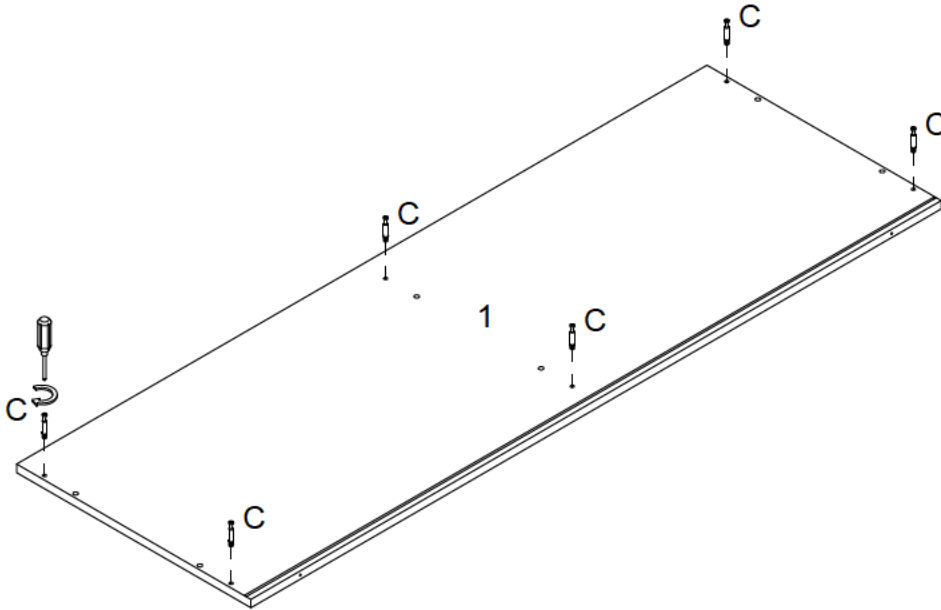
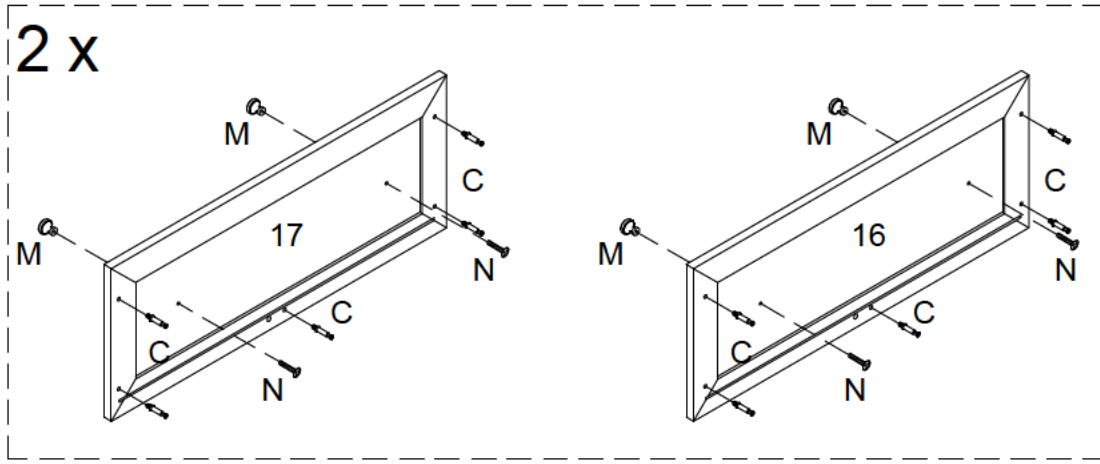
Step 1



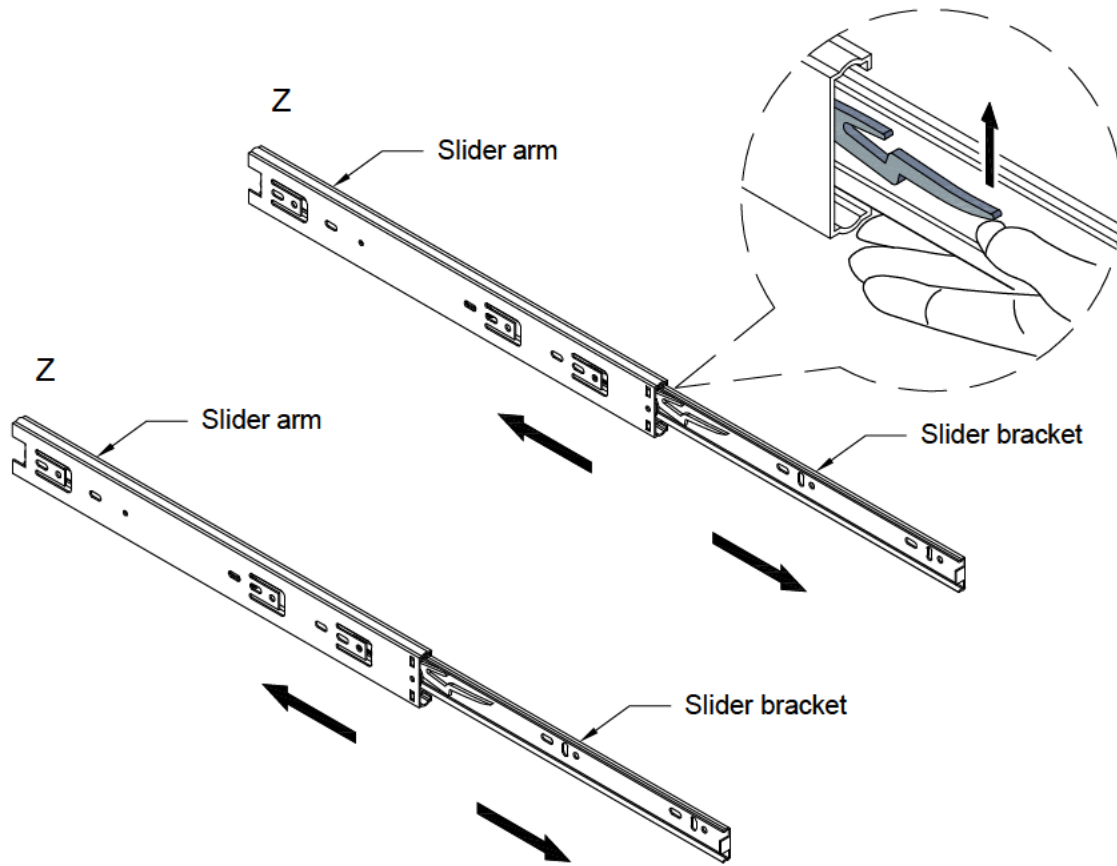
Step 2



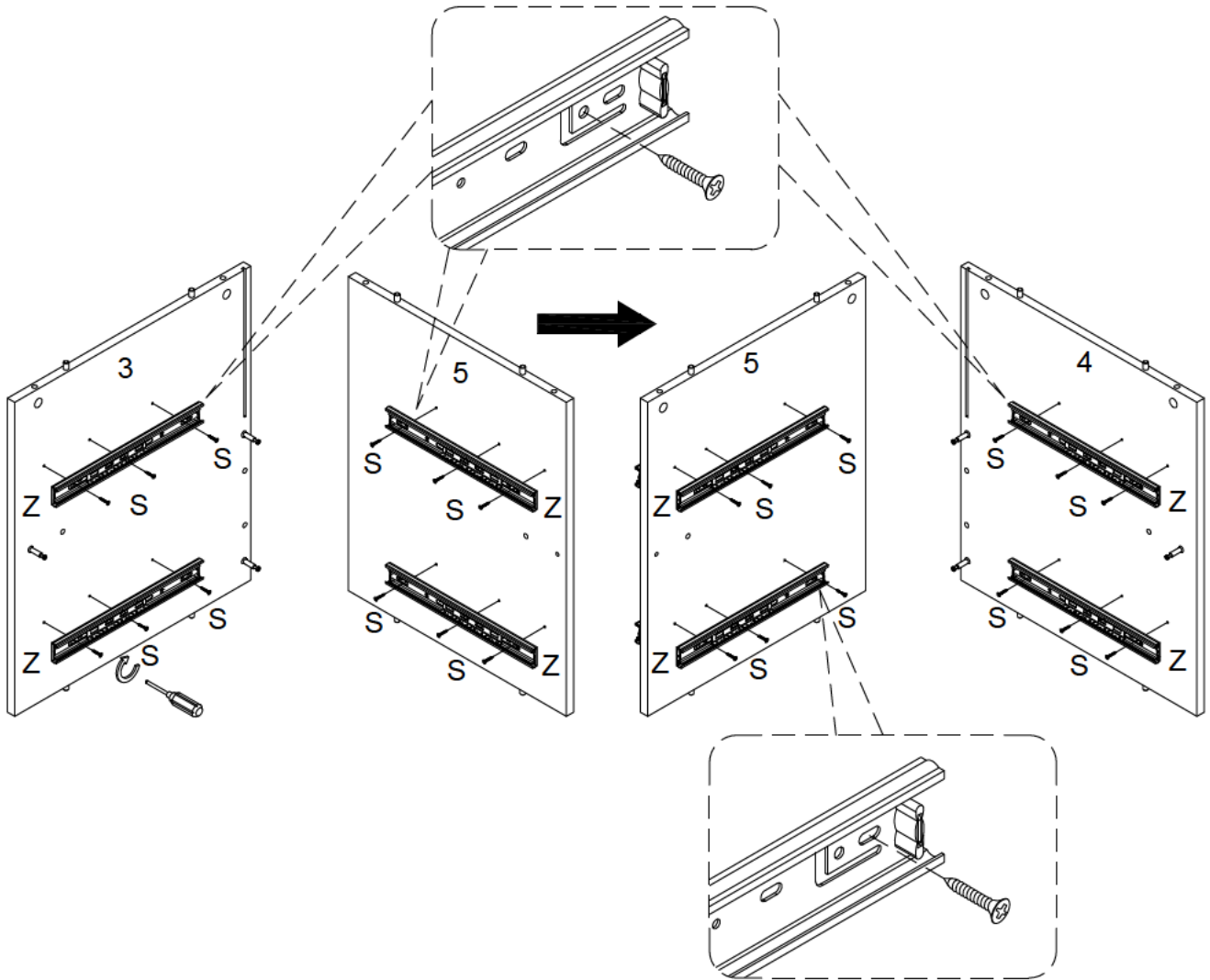
Step 3



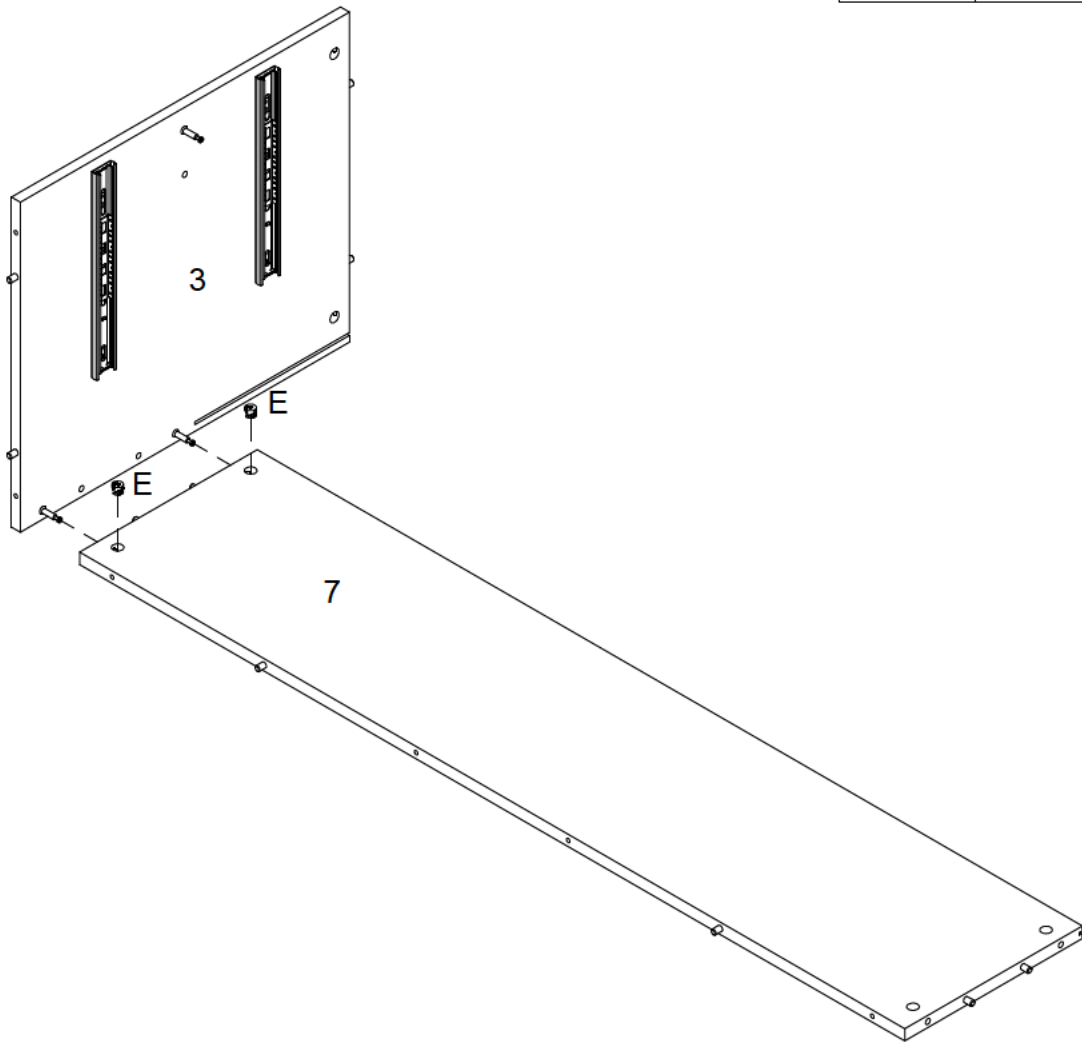
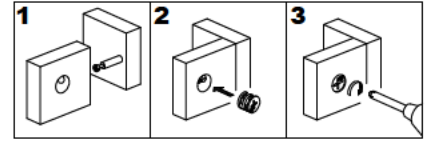
Step 4



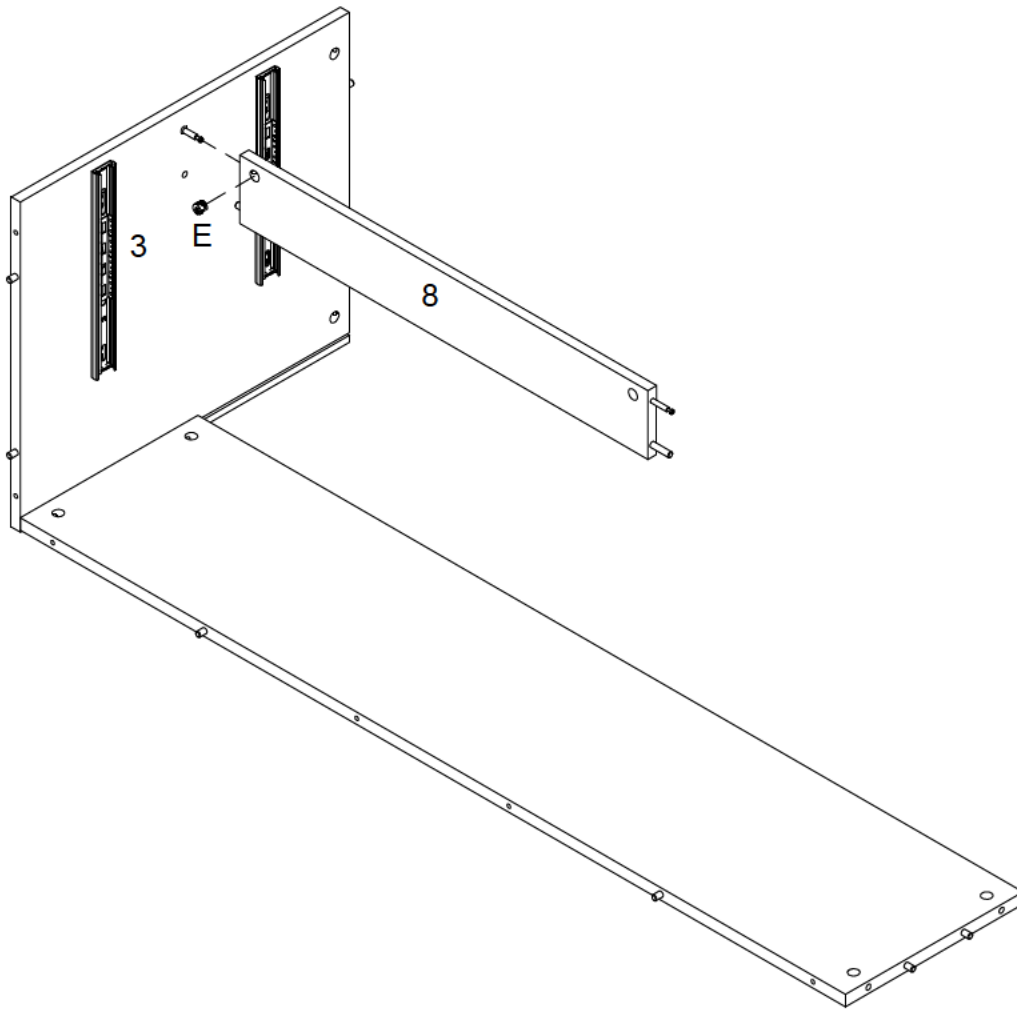
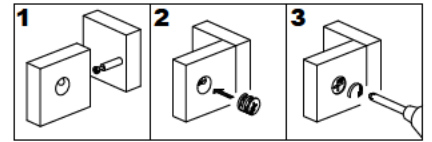
Step 5



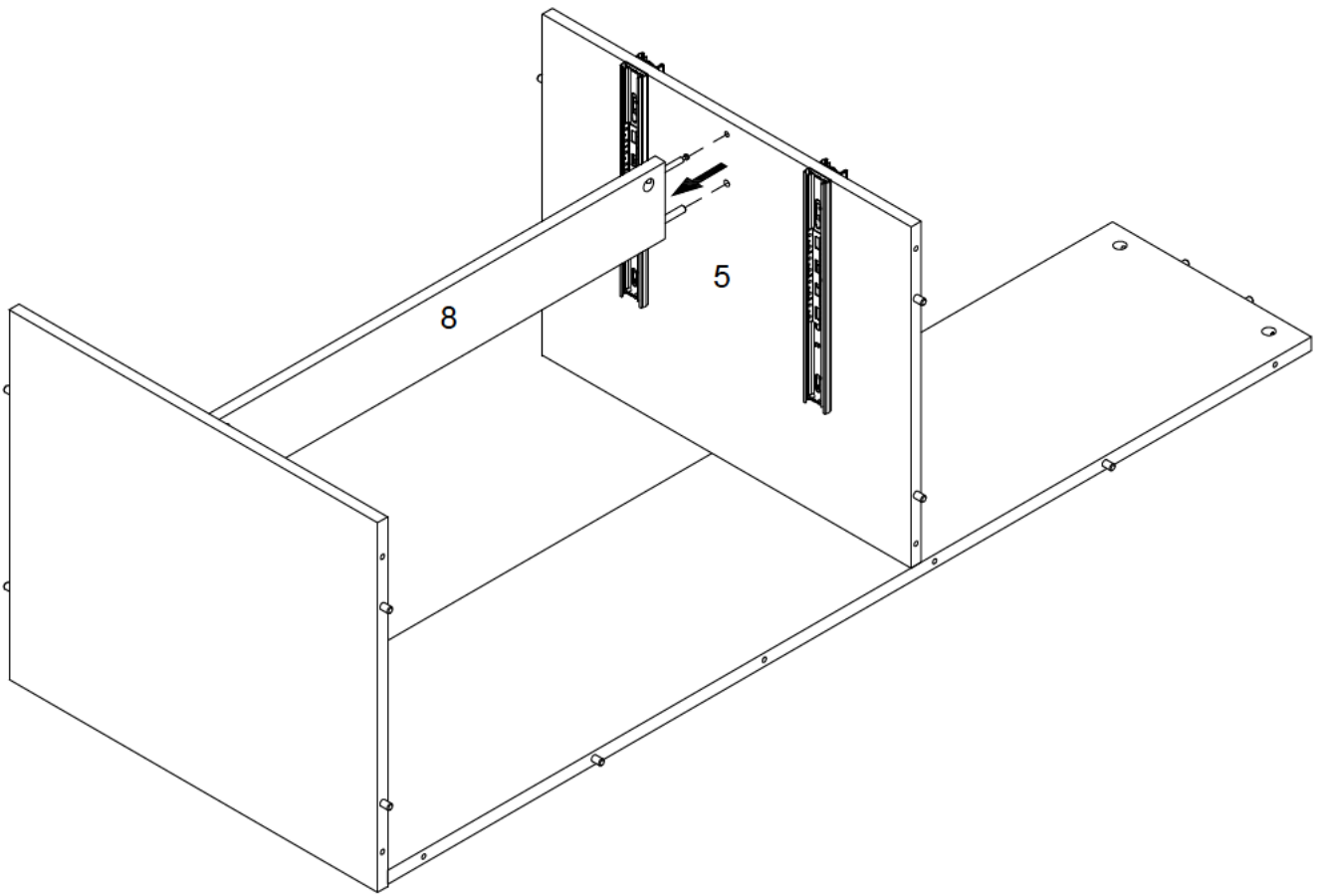
Step 6



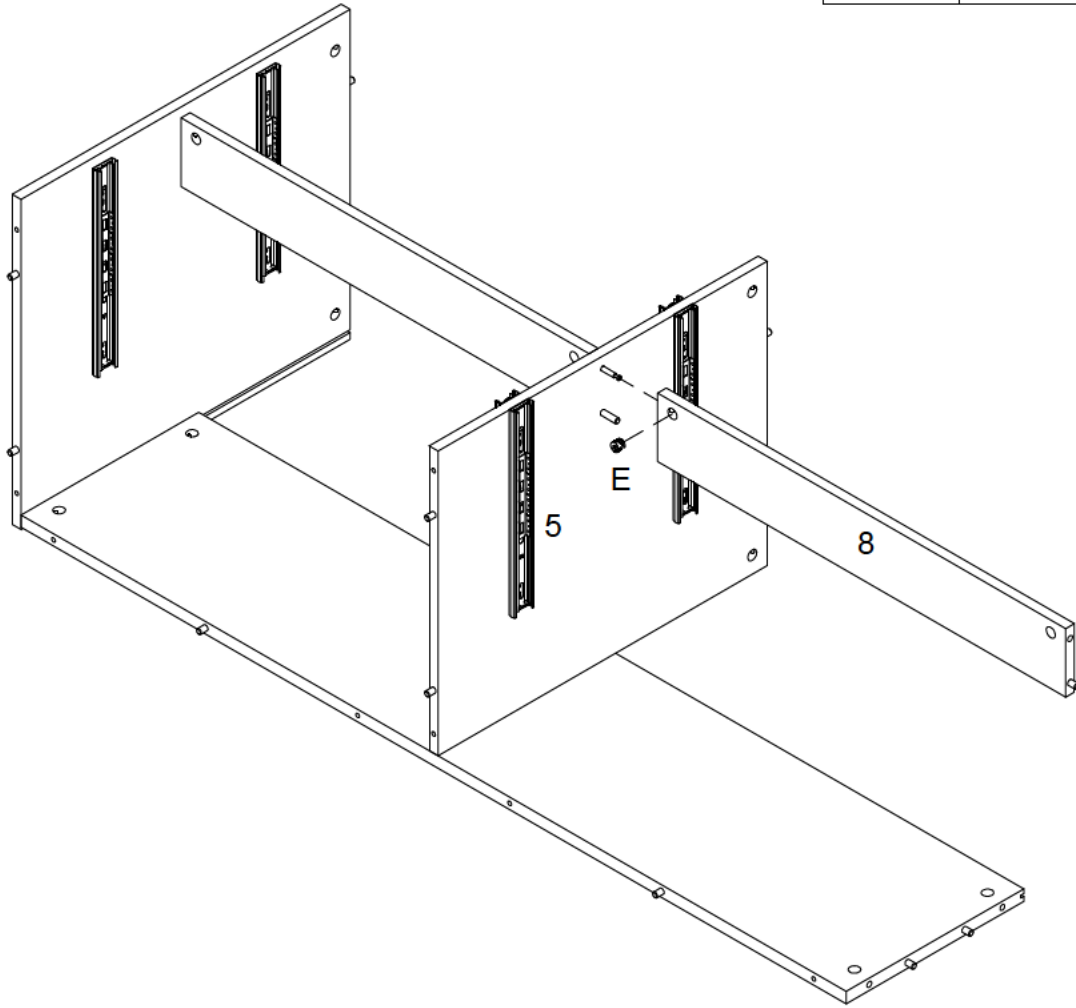
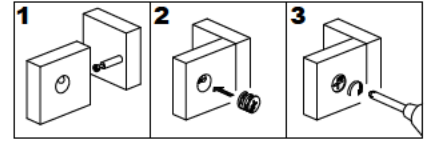
Step 7



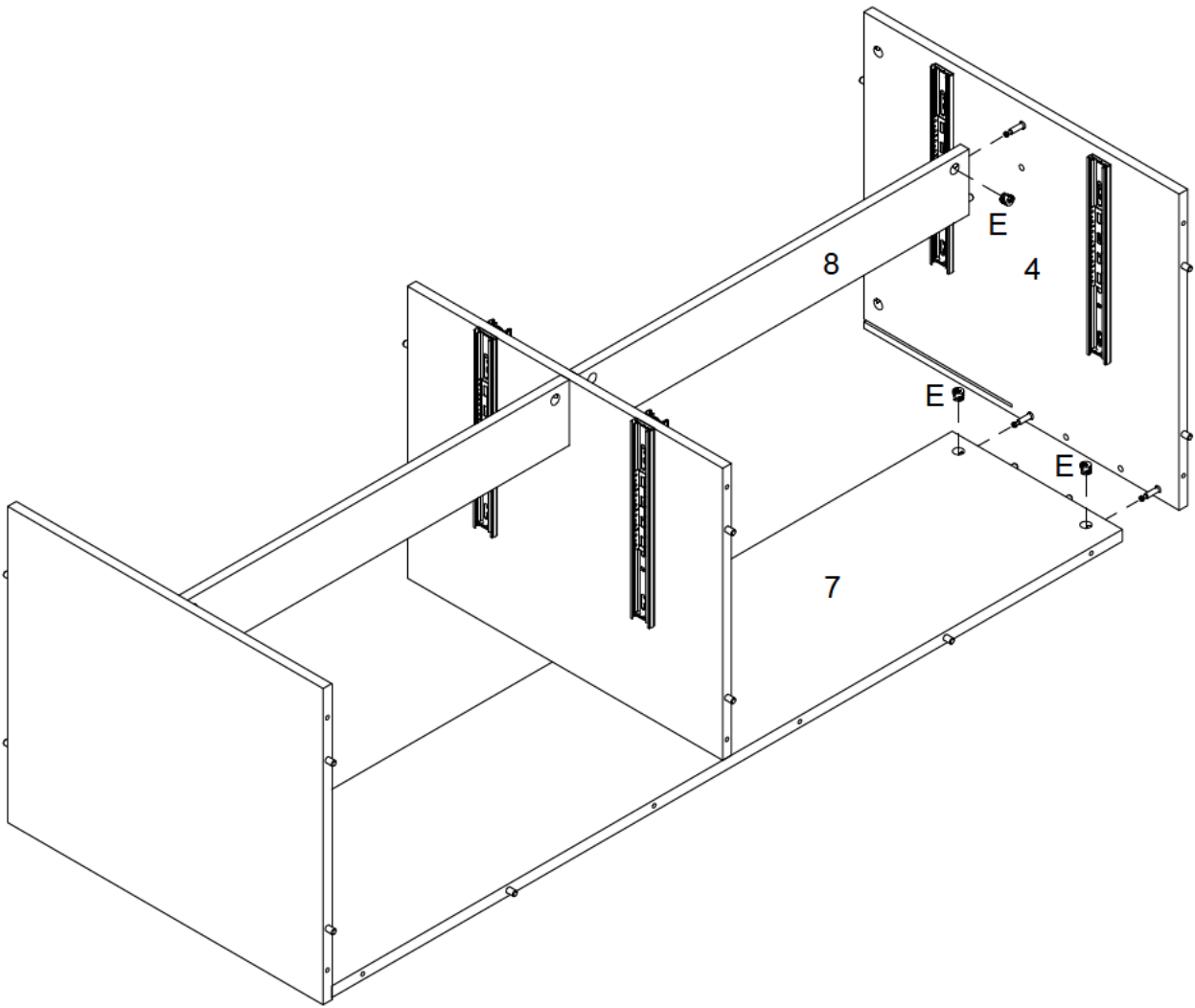
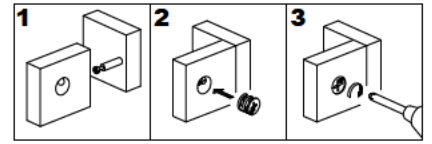
Step 8



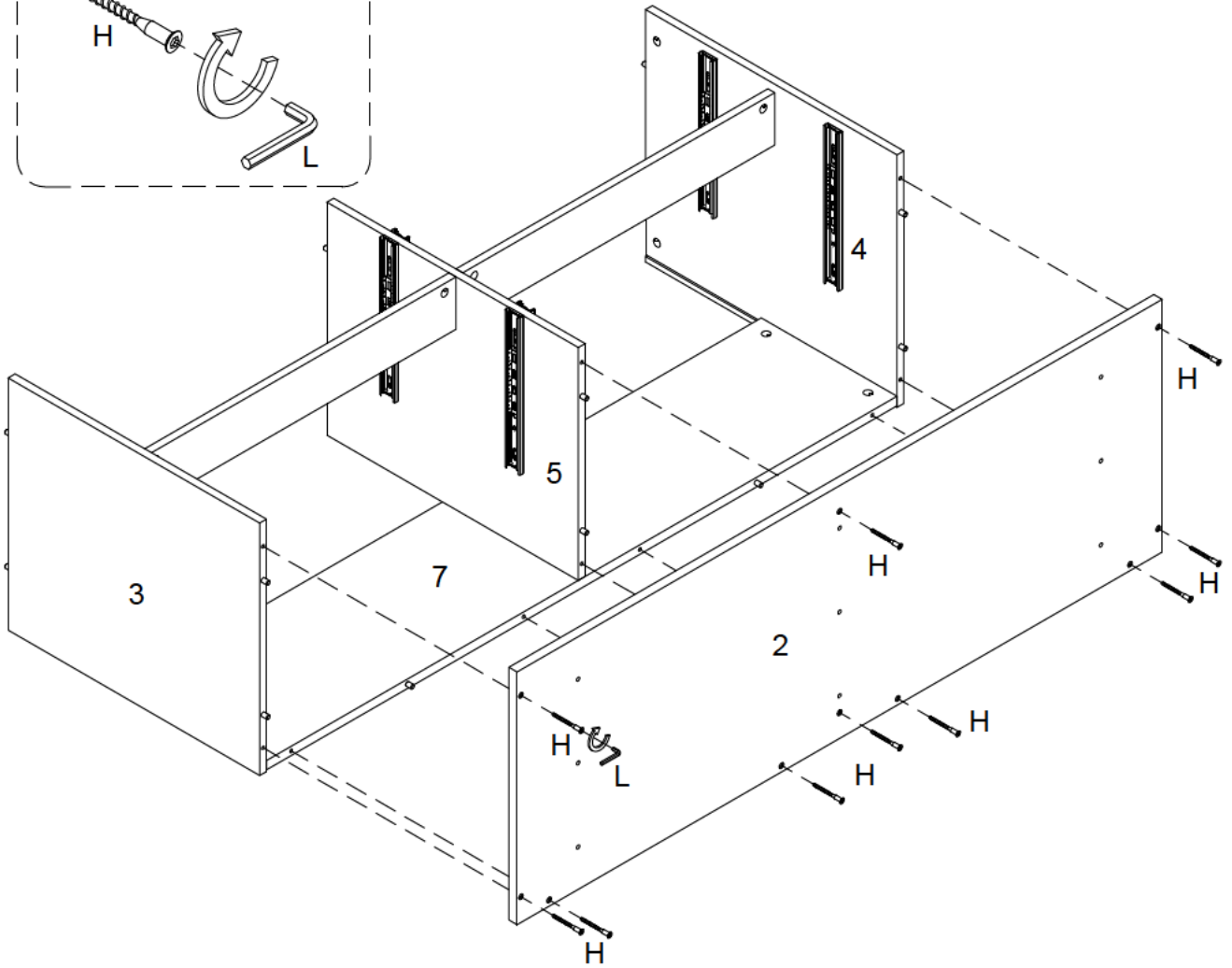
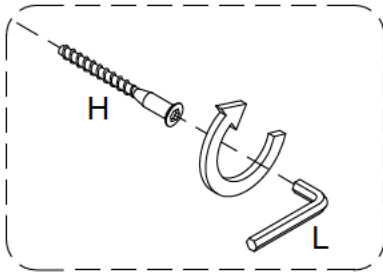
Step 9



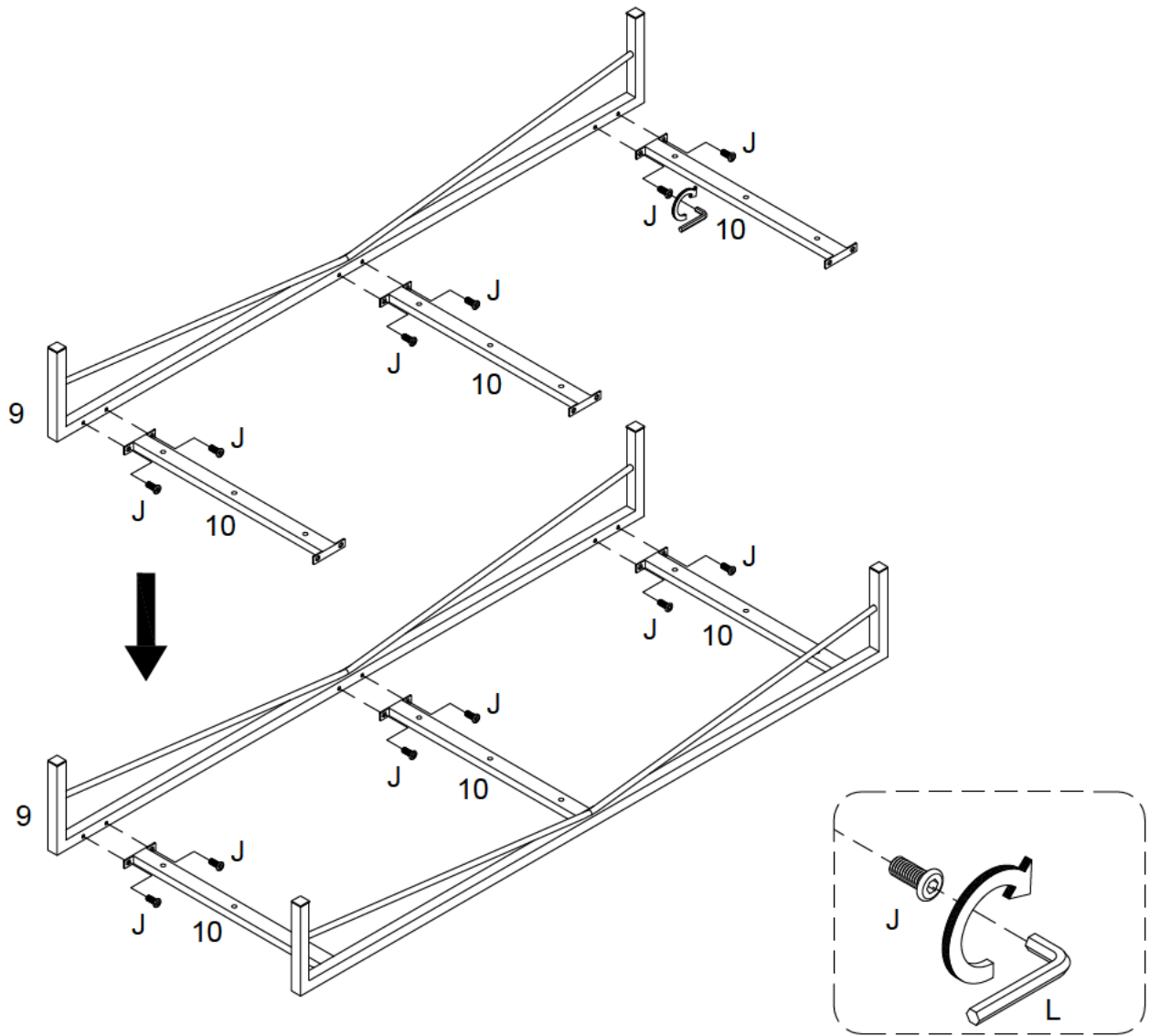
Step 10



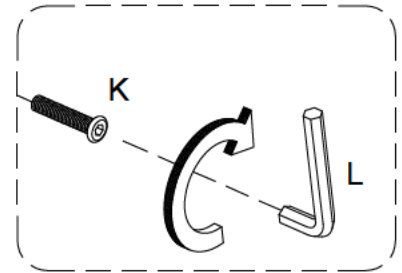
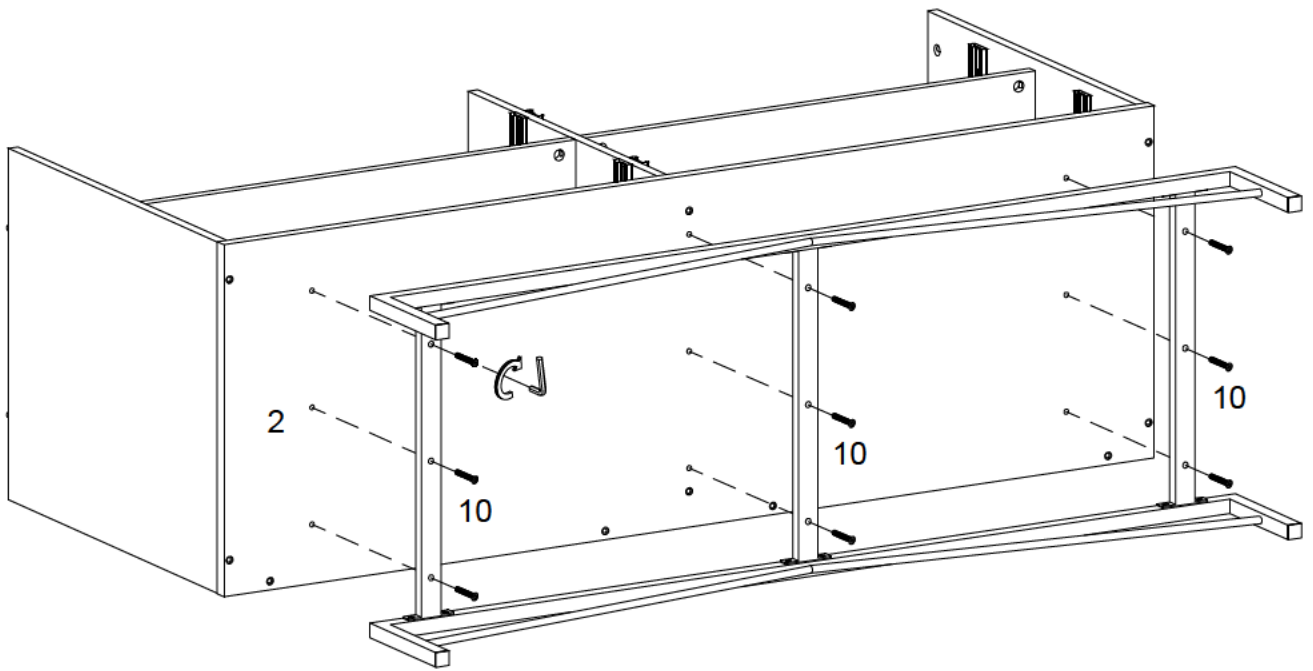
Step 11



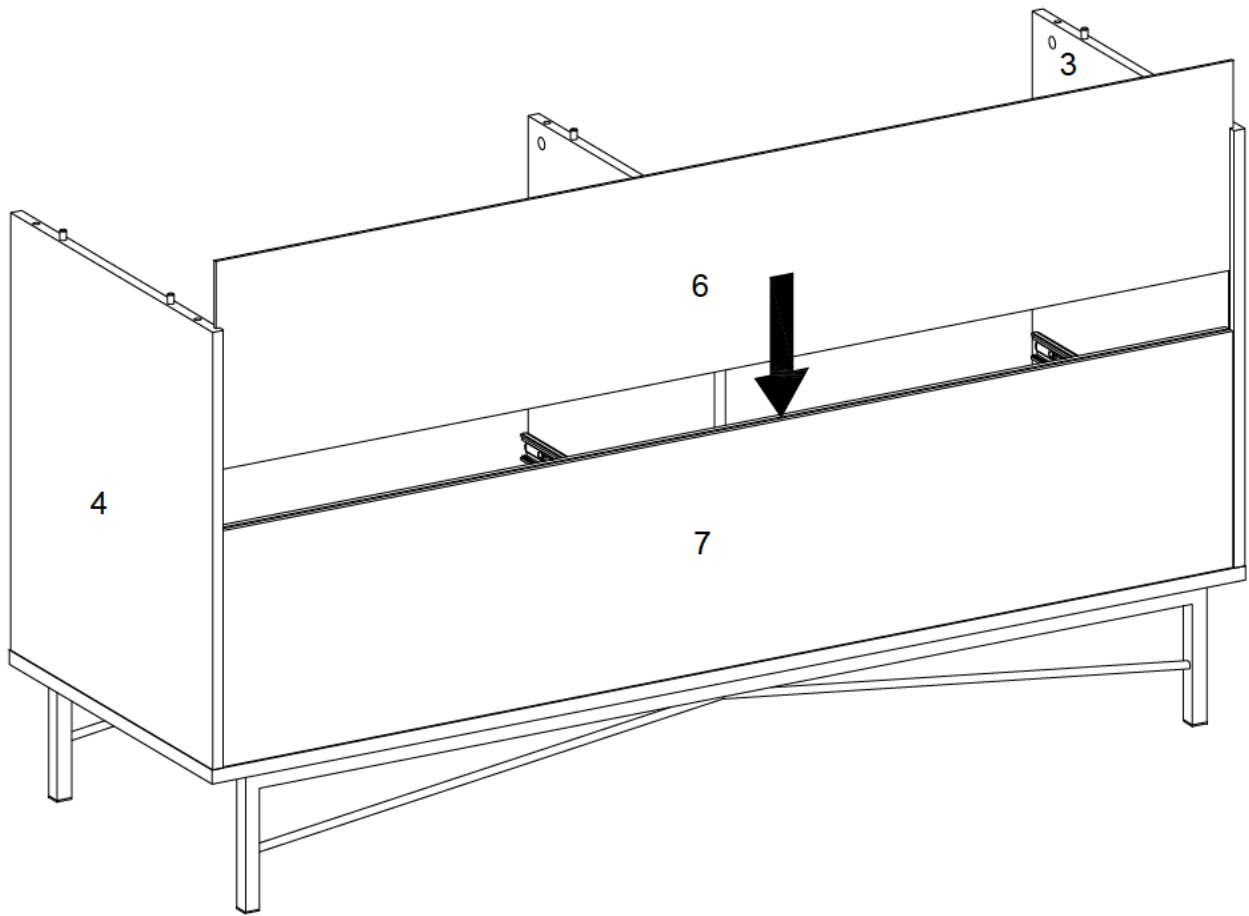
Step 12



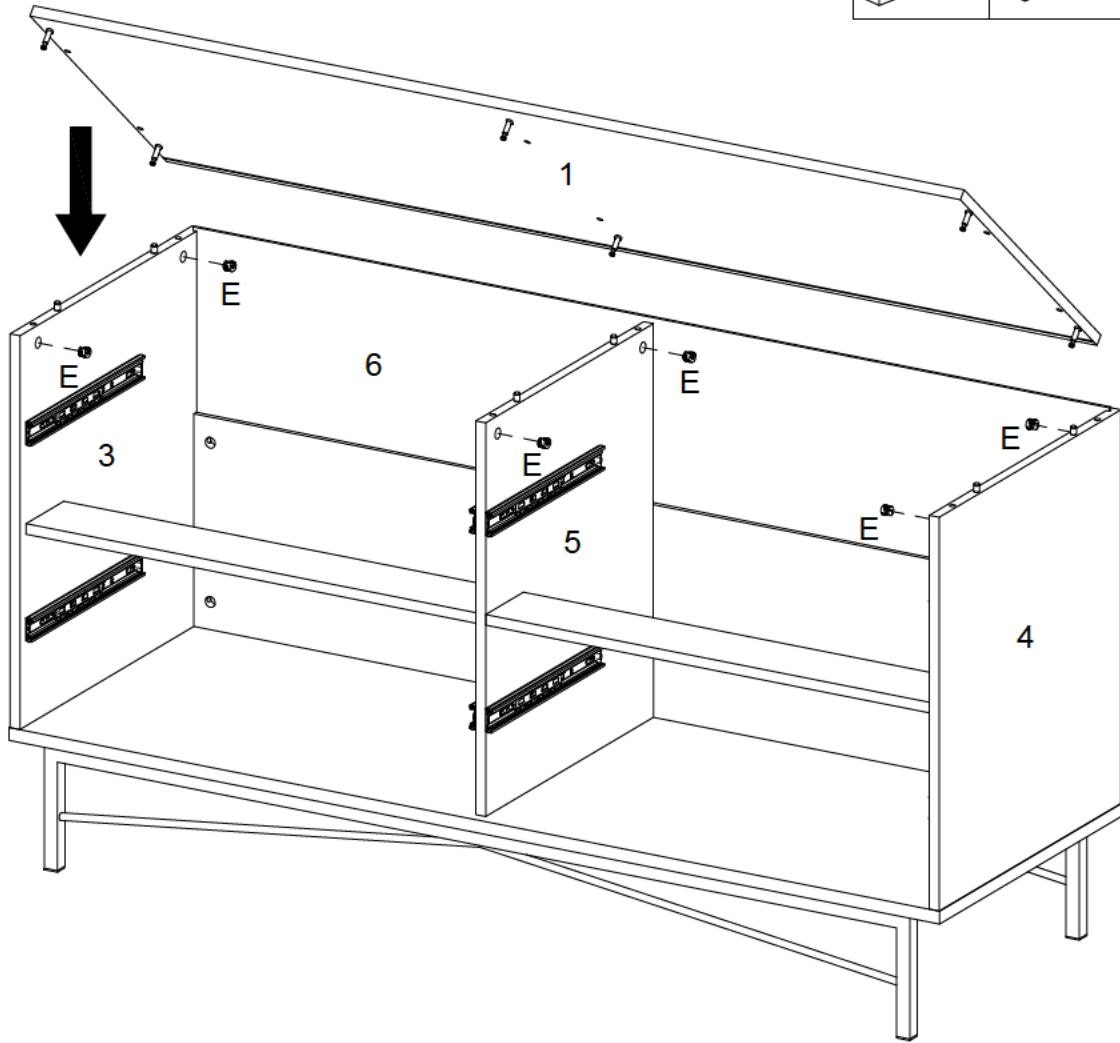
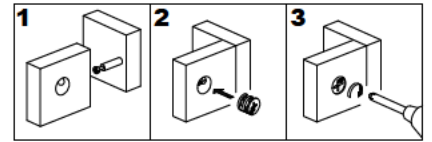
Step 13



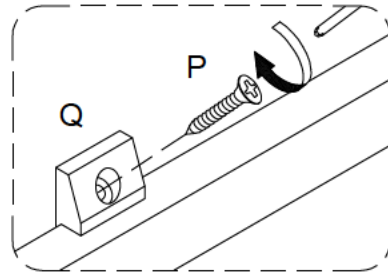
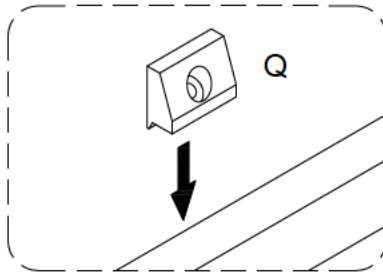
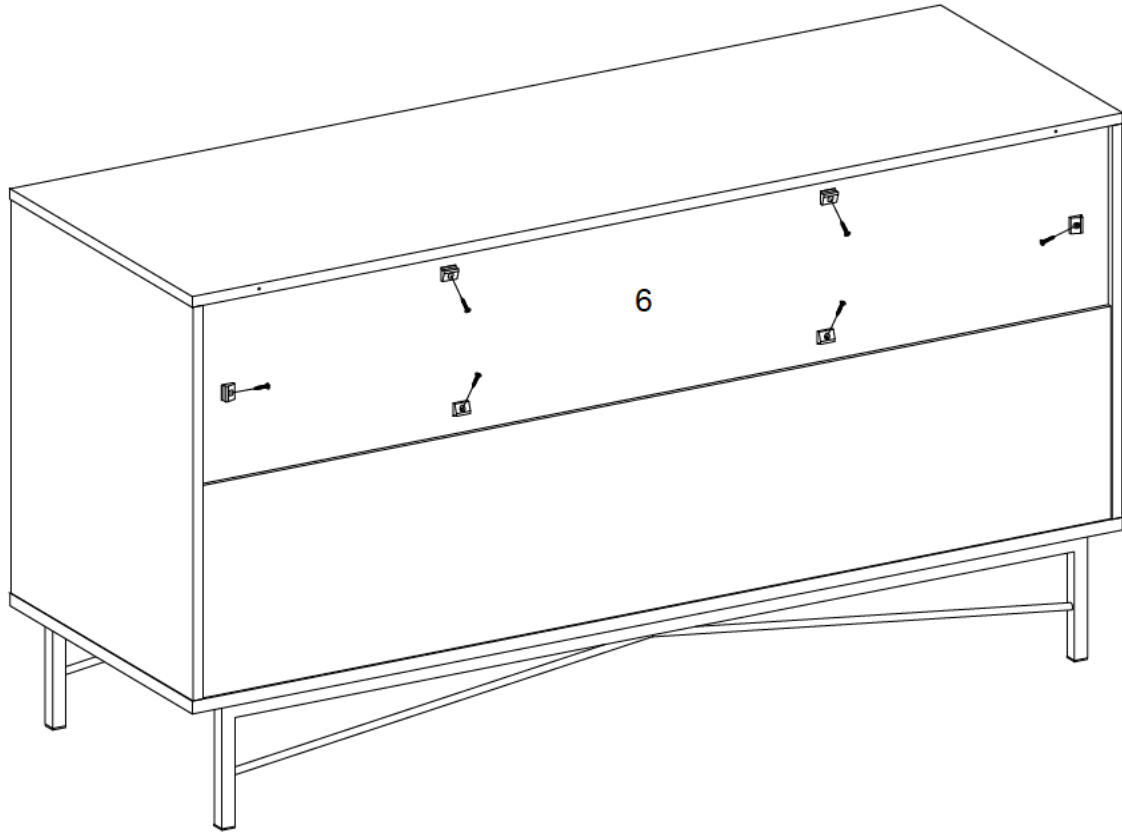
Step 14



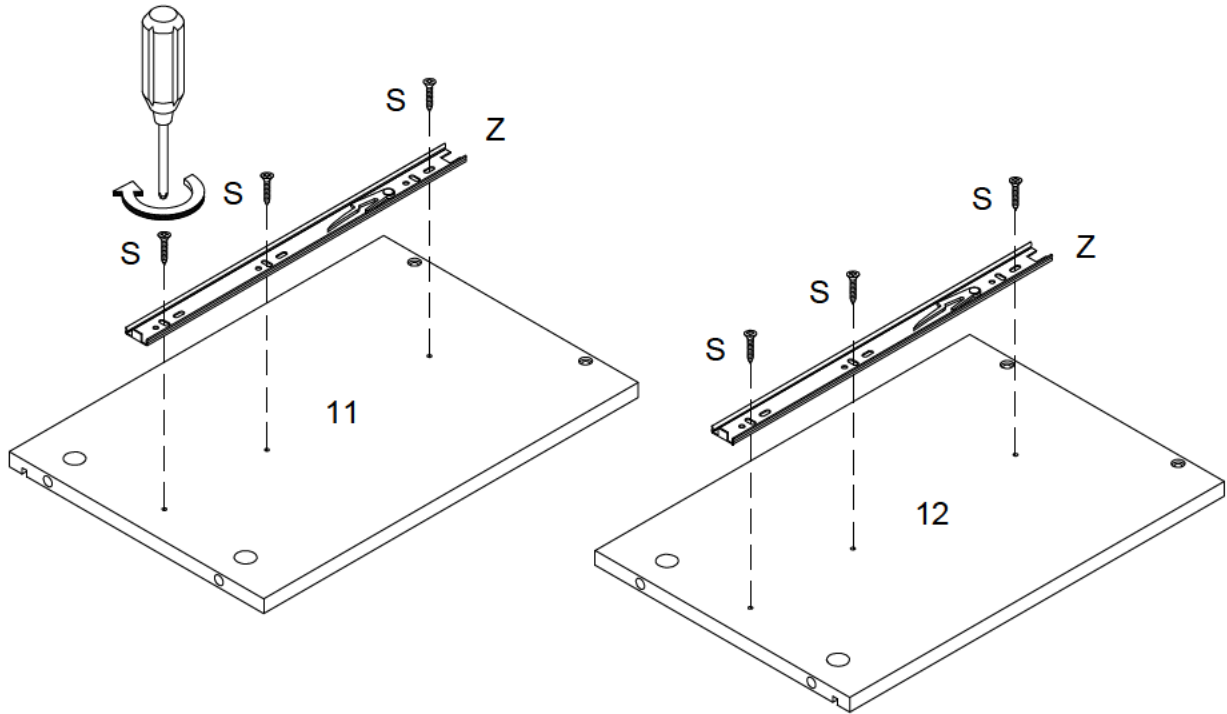
Step 15



Step 16

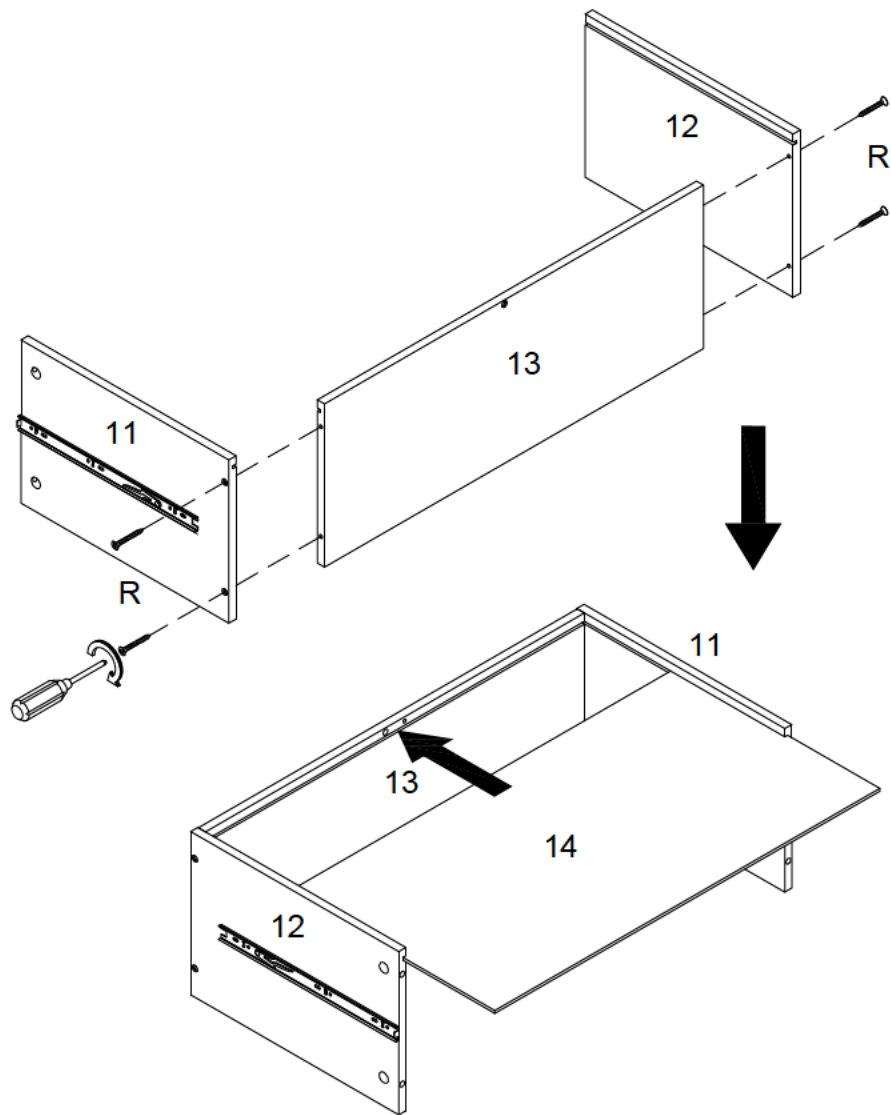


Step 17



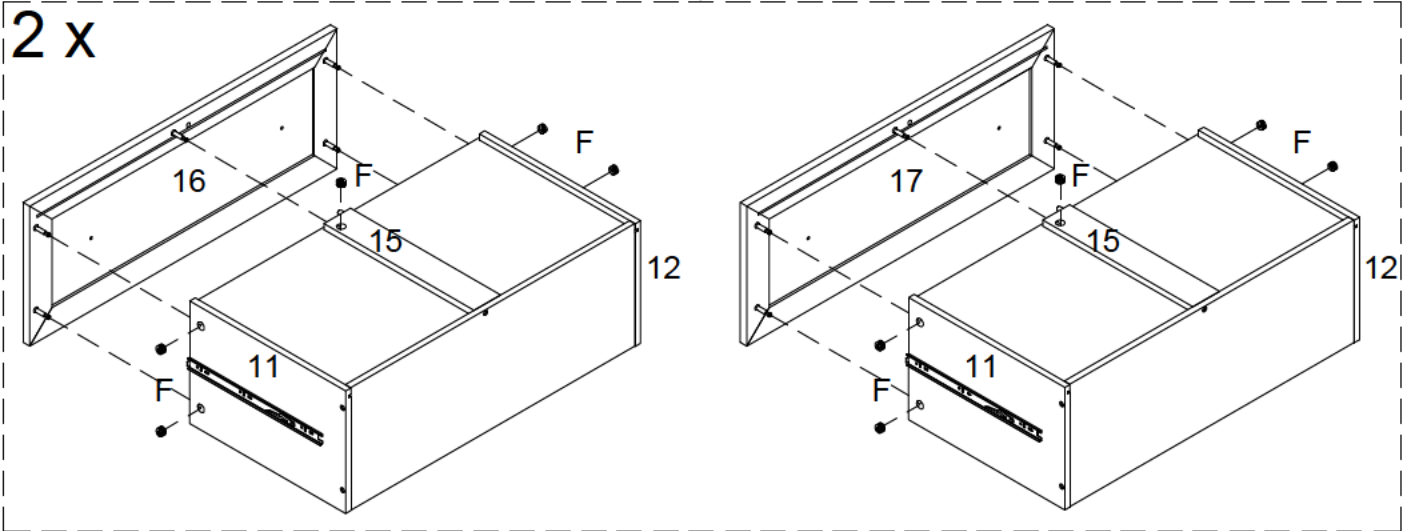
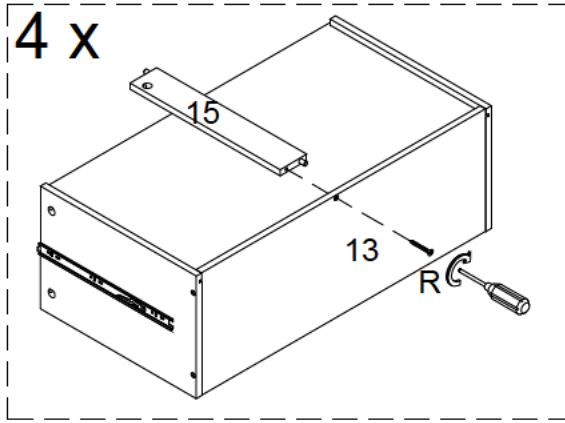
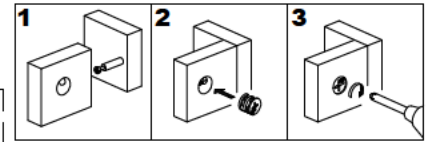
4 x

Step 18

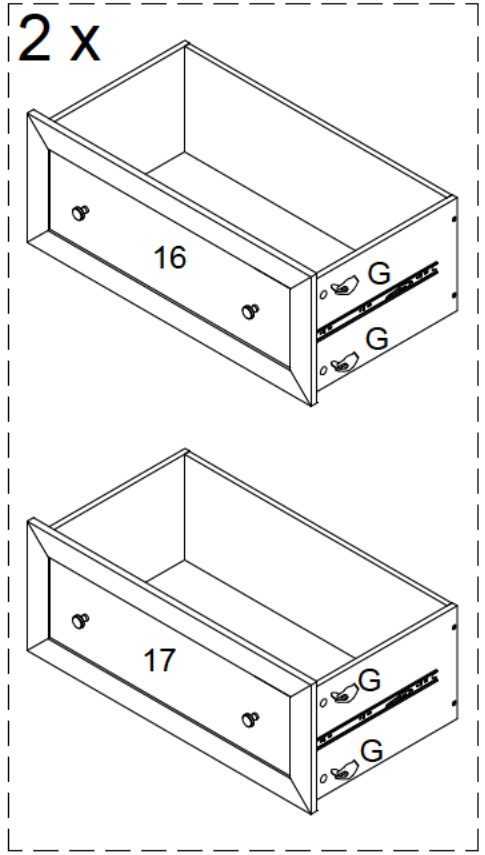
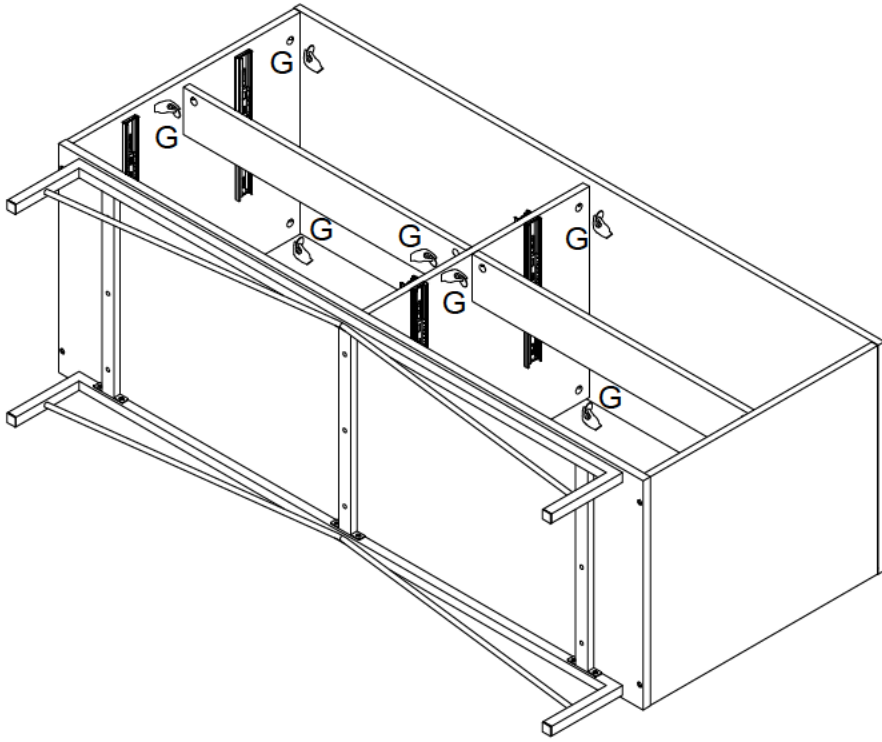


4 x

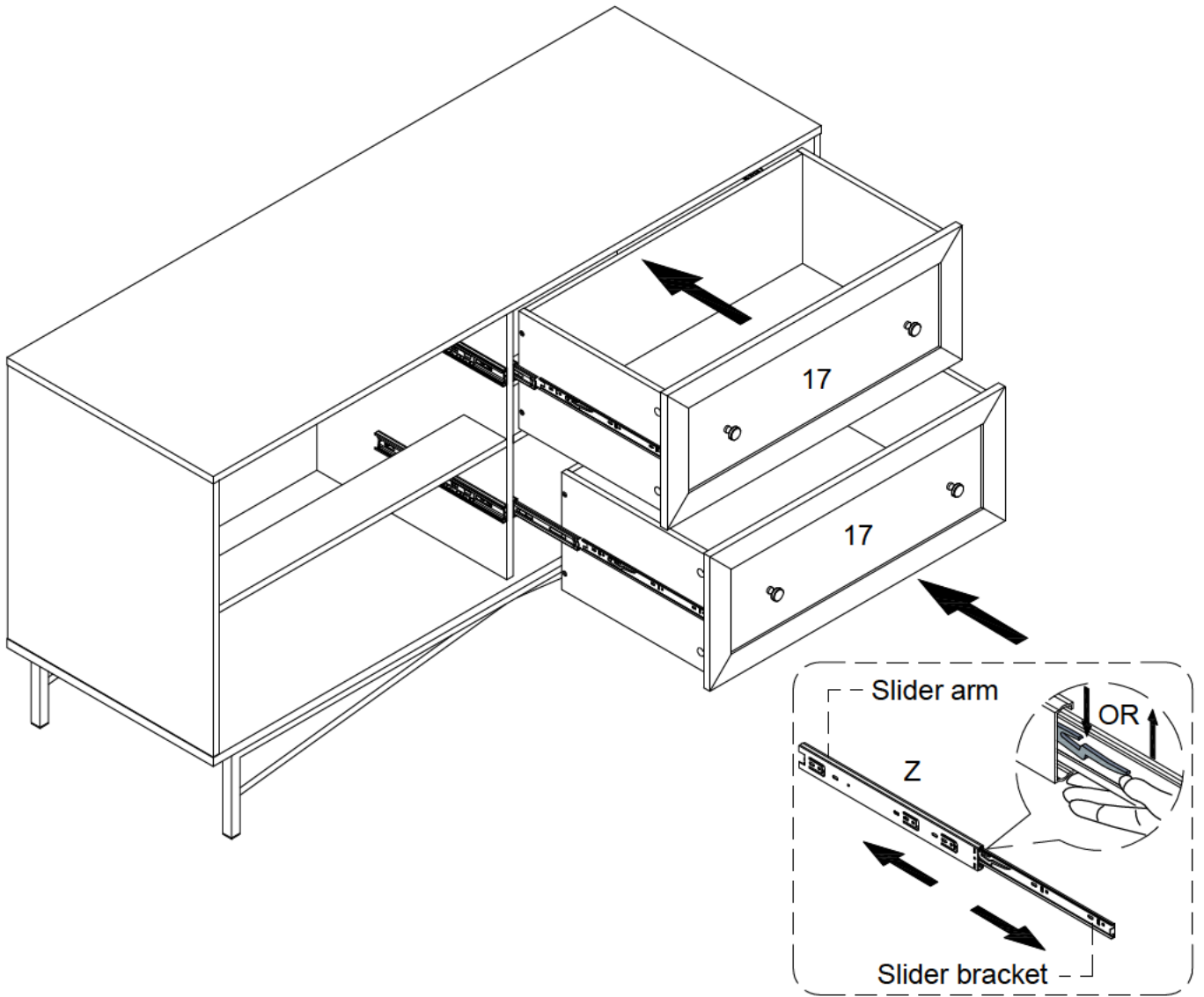
Step 19



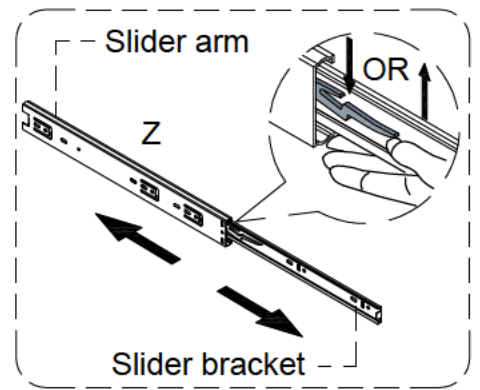
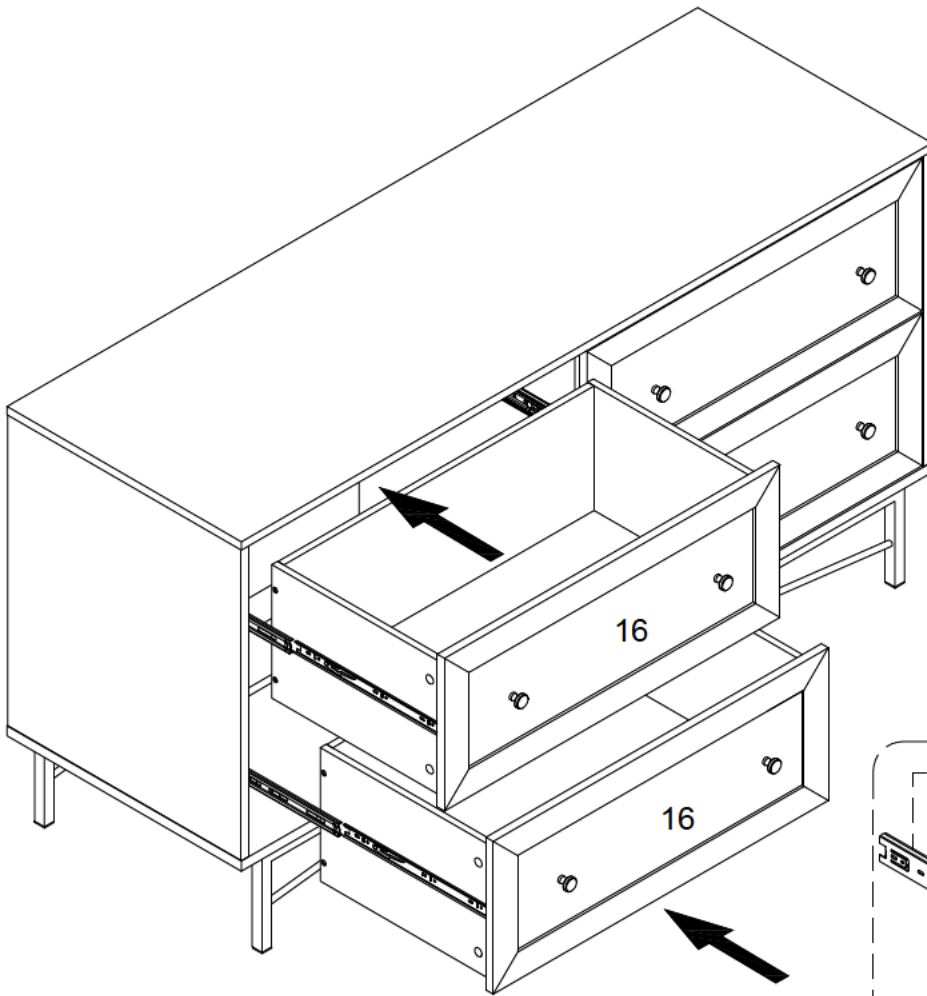
Step 20



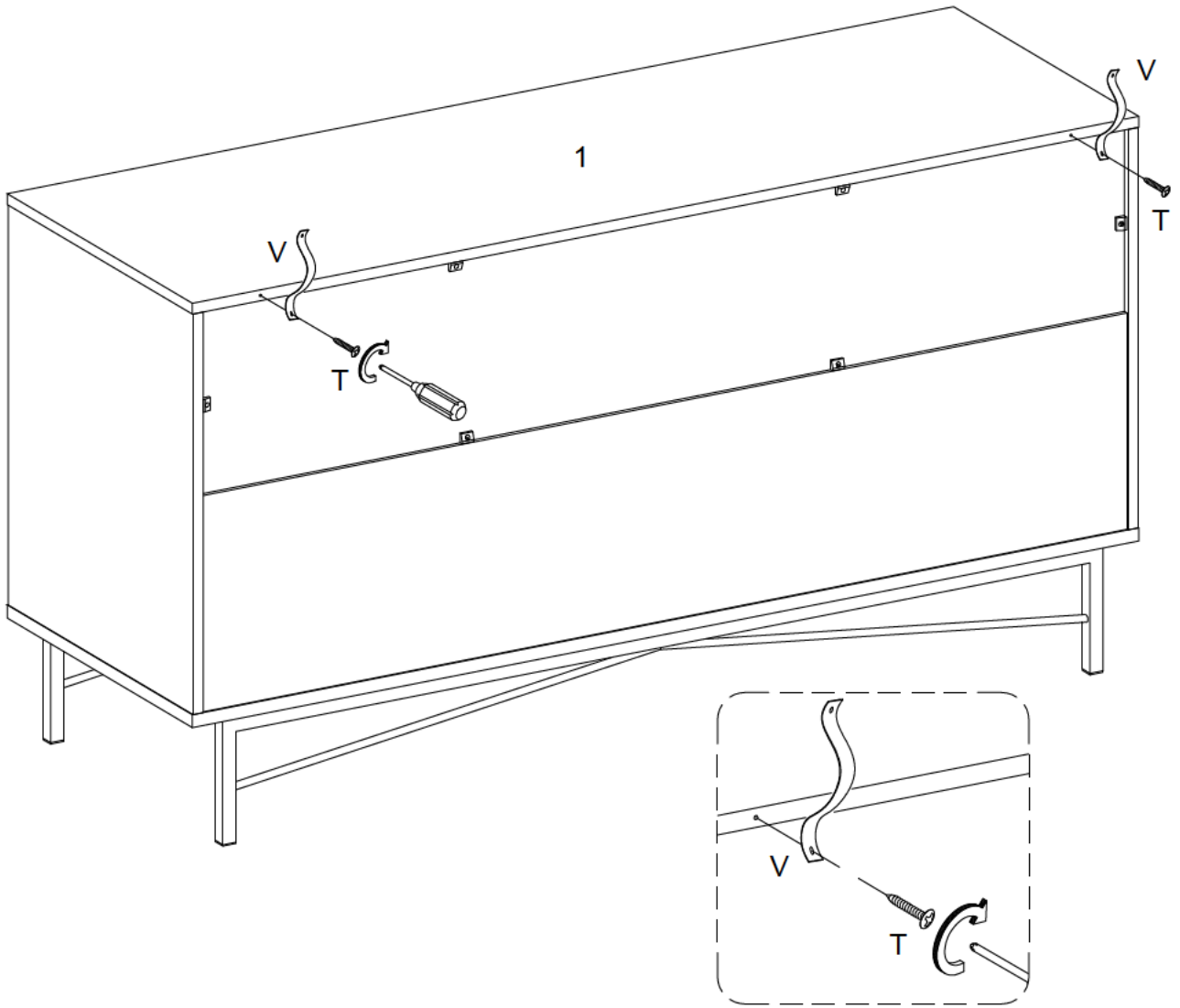
Step 21



Step 22

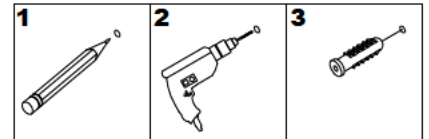


Step 23



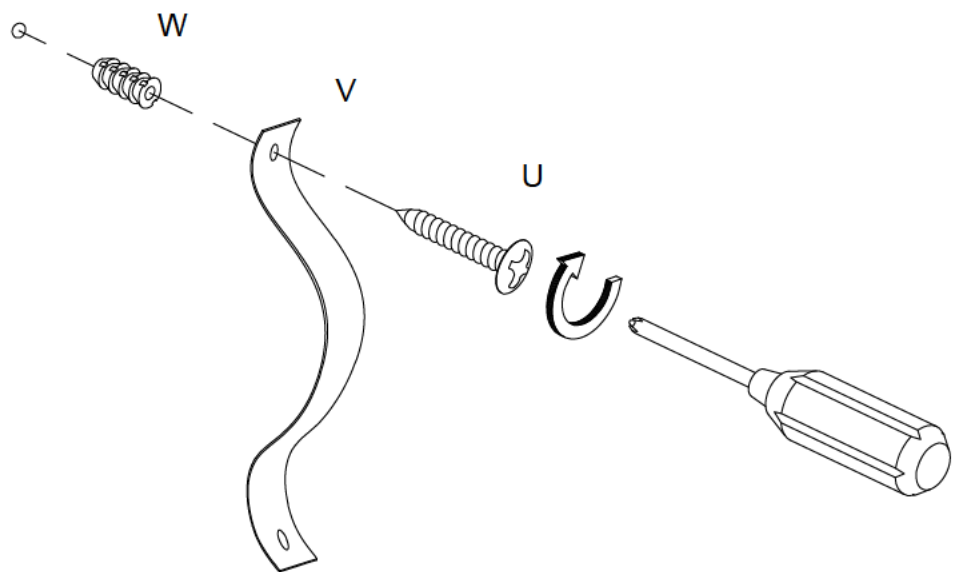
Step 24

WARNING

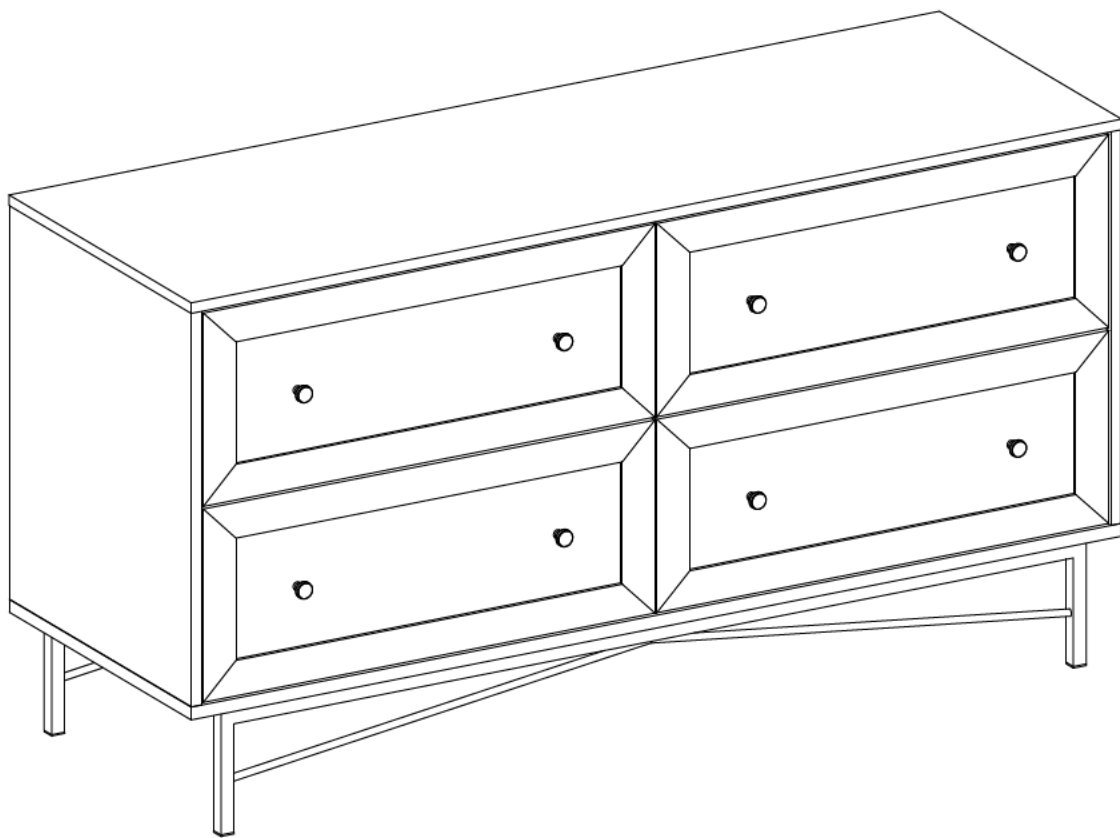


Serious or fatal injuries can occur from furniture tipping over. To prevent the furniture from tipping over we recommend that it is permanently fixed to the wall. Wall anchor and hardware are included with this product. Please make sure hardware is suitable for your walls before installing, as different wall materials may require different types of anchors.

Wall



Step 25



Final Assembly