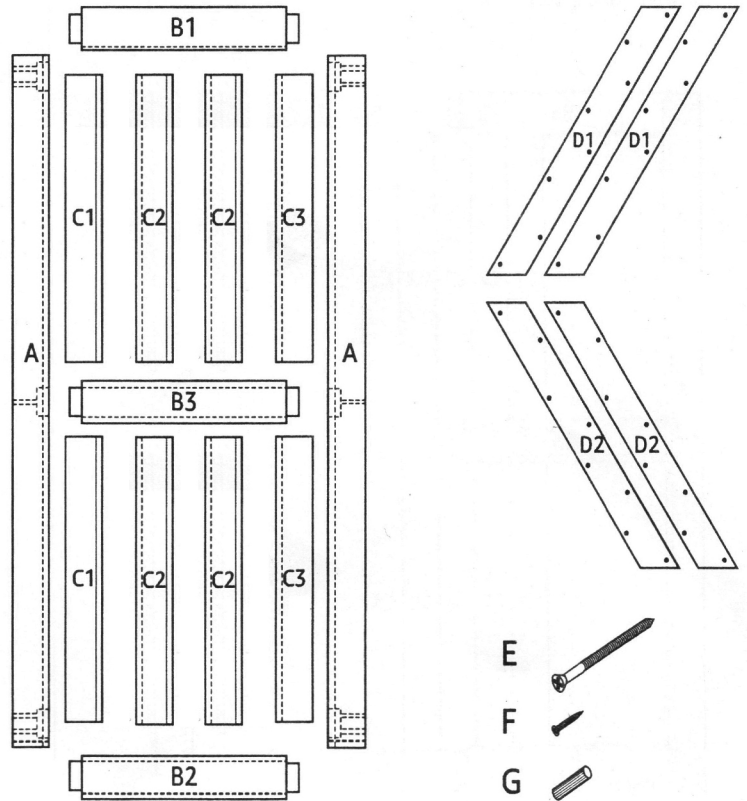


PARTS		QTY
A	Side Stile	2
B1	Top Rail	1
B2	Bottom Rail	1
B3	Middle Rail	1
C1	Left Side Slat	2
C2	Middle Slats	4
C3	Right Side Slat	2
D1	Diagonal Overlay	2
D2	Diagonal Overlay	2
E	2.7in Lag Screws	
F	0.8in Lag Screws	
G	Wood Plug	

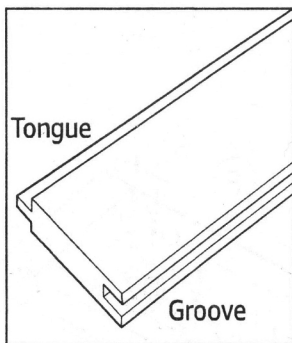


A Stile	C1 Slat	C2 Slat	C3 Slat

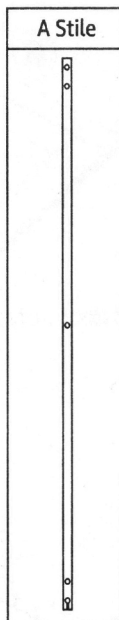
Stile and Slat End Views

B1 Top Rail	B2 Bottom Rail	B3 Middle Rail	A Stile

Rail Side Views

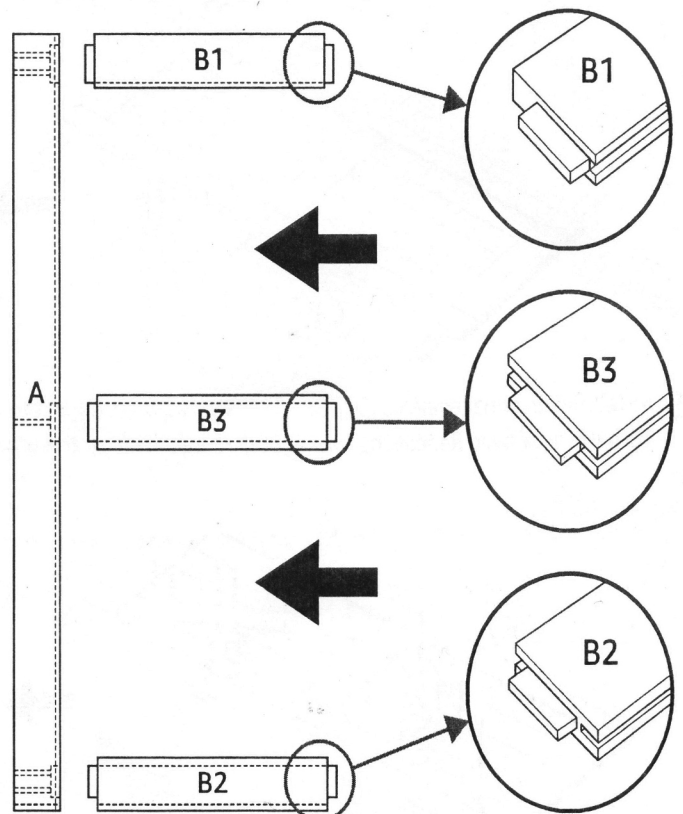


Tongue refers to the ridge extending beyond the mail portion of the slat or stile.
Groove refers to the slot cut into the other side of the slat or stile.

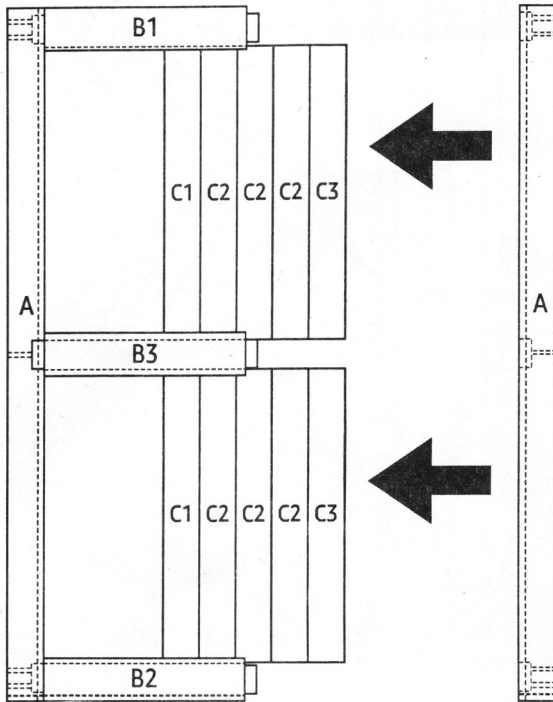


Stile Side Views

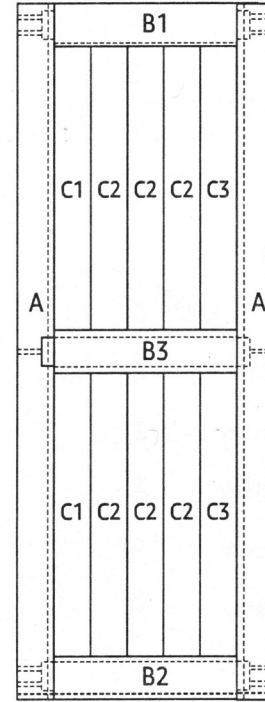
1. On a flat, clean surface, lay out one side stile (A) with the groove facing to the right.
Assemble top rail (B1), middle rail (B3) and bottom rail (B2) to A1 by fitting the tongue into the groove of A.



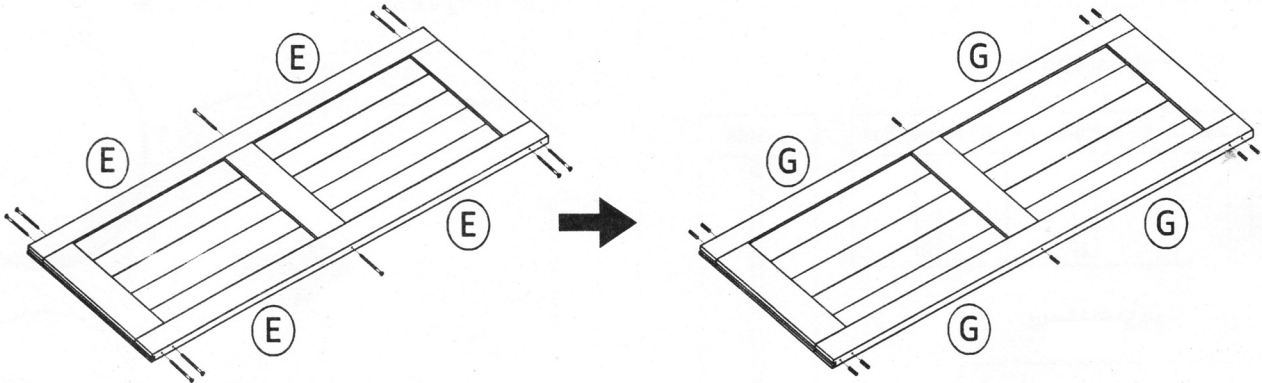
2. Assemble the left side slat (C1) with the tongue facing right. Lay all middle slats (C2) next to C1 with the tongue facing right. Lay the right side slat (C3) to the right of the last C2 with the groove facing left.



3. Place the other side stile (A) beside the assembled slats and rails with groove facing left. Slide to the left to cover the top and bottom rail tongues and the edge of the slat assembly.



4. Insert $3\frac{3}{16}$ " lag bolts (E) into holes on the side of side stile (A), use phillips screwdriver to fasten lag bolts to B1, B3 and B2. Insert wood plugs (G) into holes on the side of side stile (A) to complete the installation.



5. Install the diagonal overlay (D1) by using lag bolts (F) on the assembled door surface. Turn the door over, Repeat the former step to install D2 on the other side.

