

ASSEMBLY INSTRUCTION

SL-109N

BRIANNA SUN LOUNGER WITH ARM

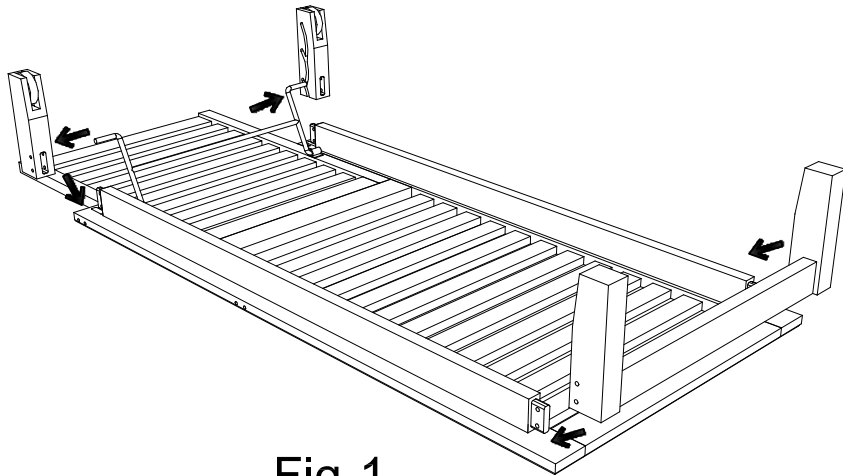


Fig 1

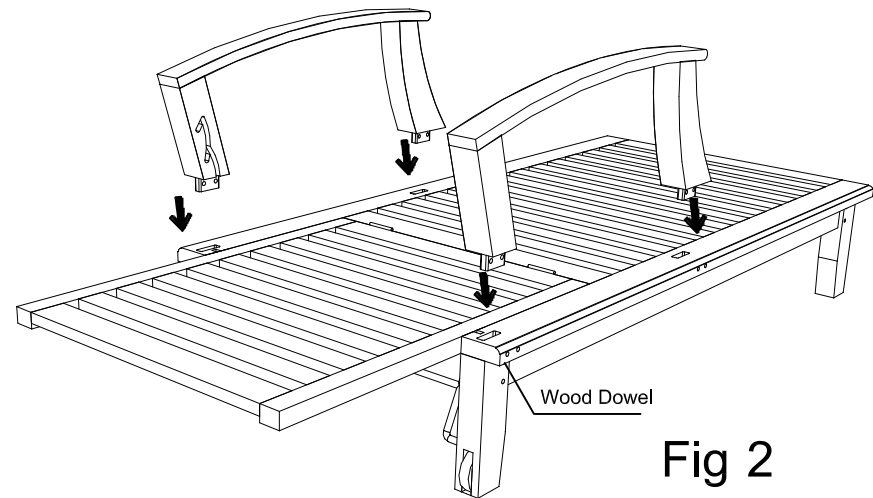


Fig 2

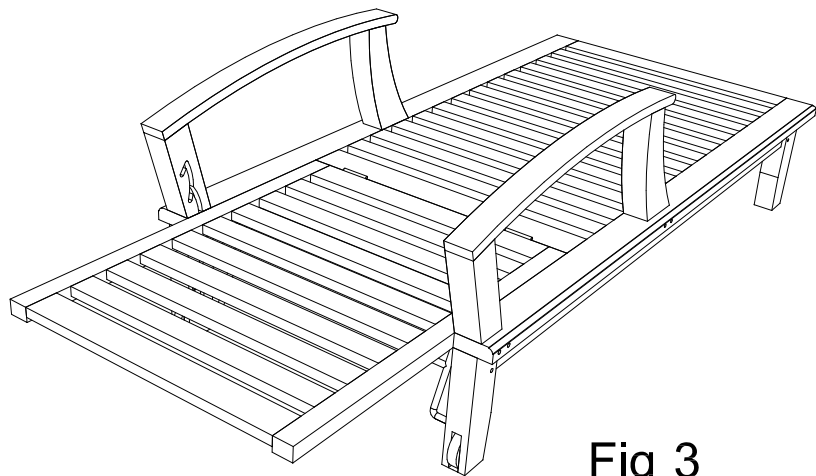


Fig 3

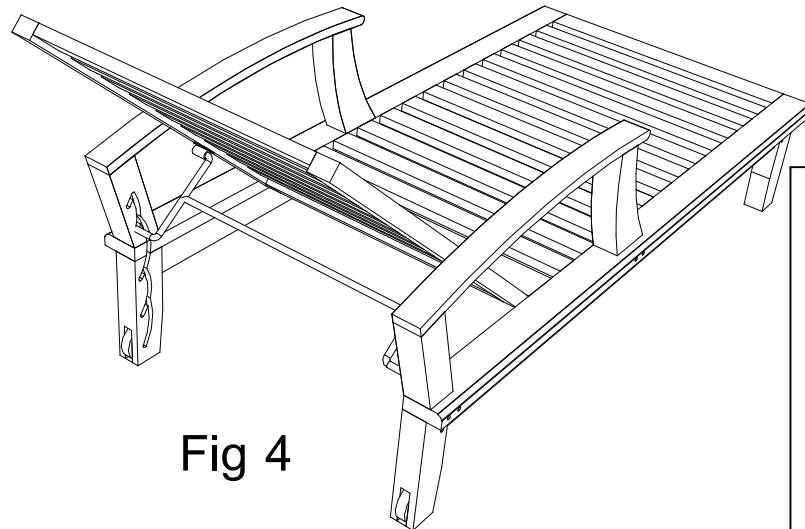


Fig 4

Parts : 2 pcs back legs, 1 pc front leg, 1 pc seat, 2 pcs arms

Hardware packs :
Wood dowels for seat, back leg, front leg & arm

Tools requirement :
Hammer (not supplied)

Assembling :

1. Prepare a seat and insert front leg and back leg and insert the support of back seat to back leg. (Fig. 1)
2. Put some glue into the leg's mortise.
3. Insert the arm. (Fig. 2)
4. Put some glue around the wood dowels and insert it into the arm.
5. Finish assembly (Fig. 3)
6. Clean the overflow glue using damp cloth while glue is still wet.
7. Open the back seat and insert the support of back seat to the hole. (Fig. 4)