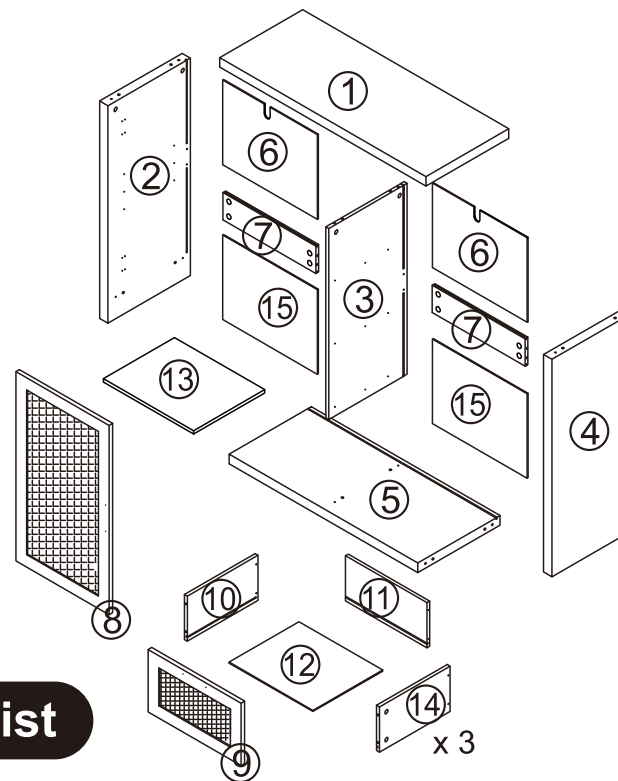
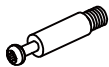





















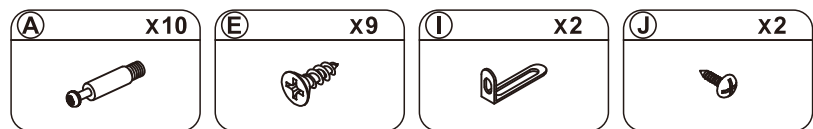
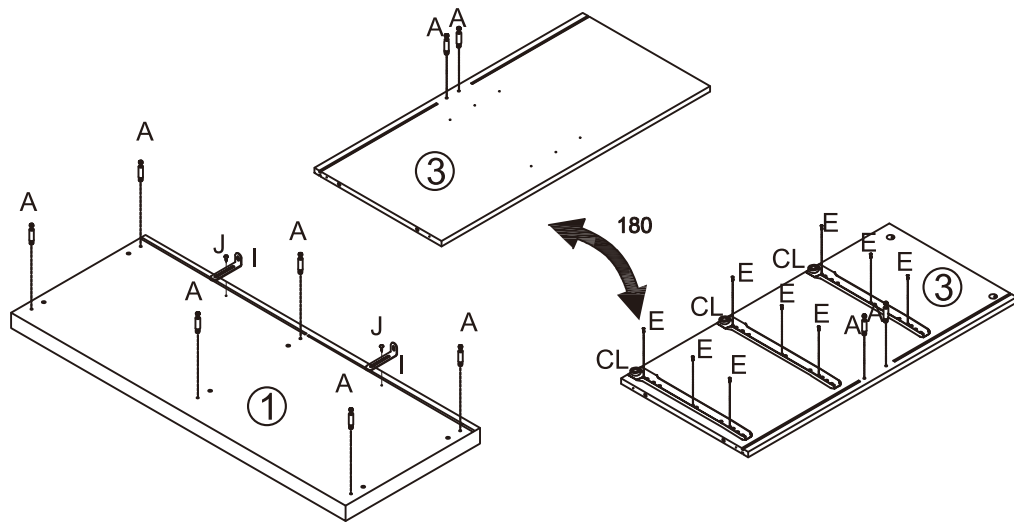
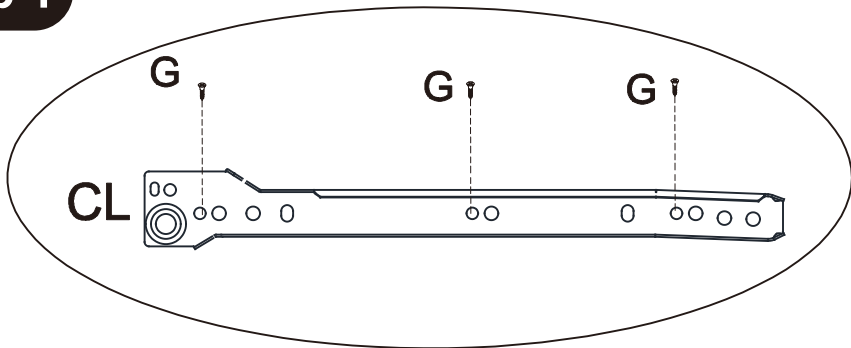
## Parts list



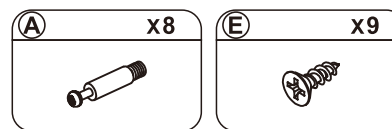
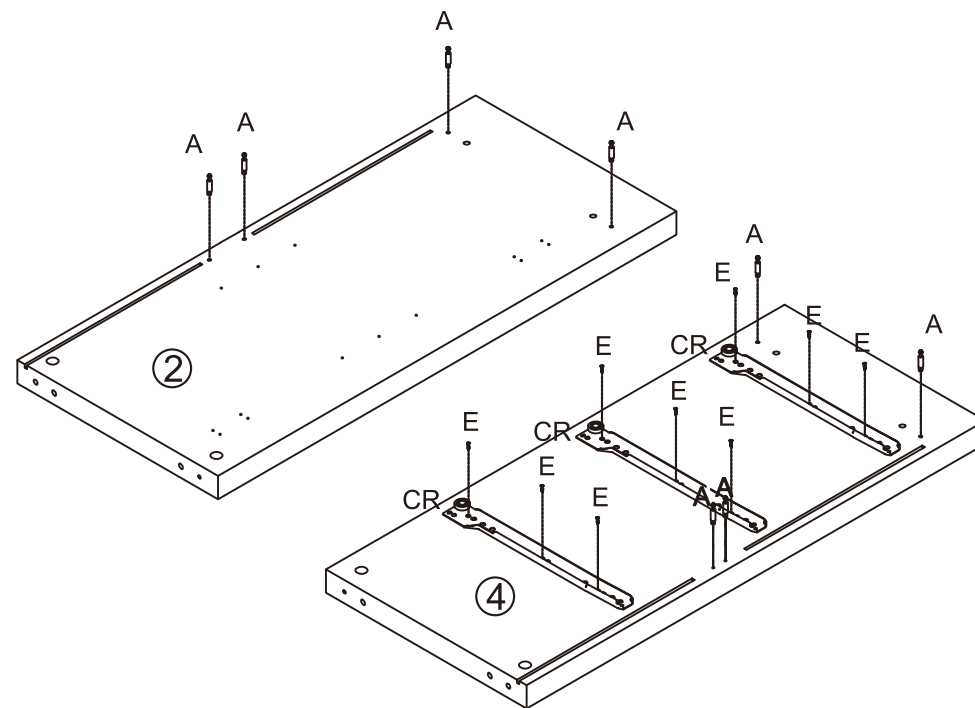
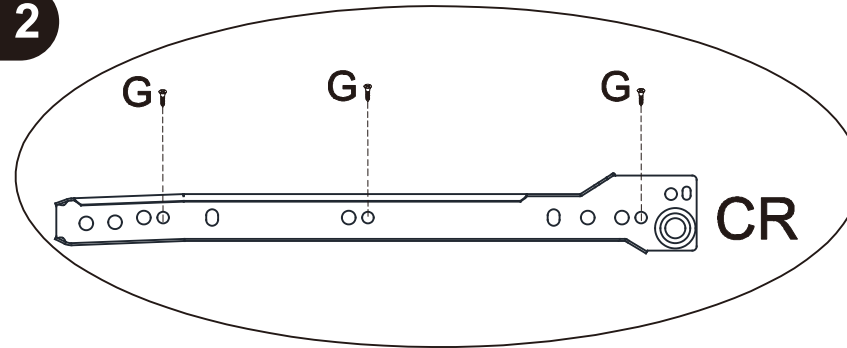
## Hardware list

<b>A</b> x30 	<b>B</b> x30 	<b>C</b> x12 $\phi 6 \times 30 \text{MM}$ 	<b>D</b> x14 M4*35 	<b>E</b> x44 M3*12 
<b>F</b> x4 	<b>G</b> x12 	<b>H</b> x12 M3*16 	<b>I</b> x2 	<b>J</b> x2 M4*12 
<b>K</b> x2 	<b>L</b> x4 	<b>M</b> x2 M4*50 	<b>N</b> x2 	<b>O</b> x12 M3.5*14 
<b>P</b> x30 	<b>CL</b> x3 	<b>CR</b> x3 	<b>DR</b> x3 	<b>DL</b> x3 

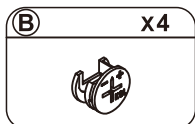
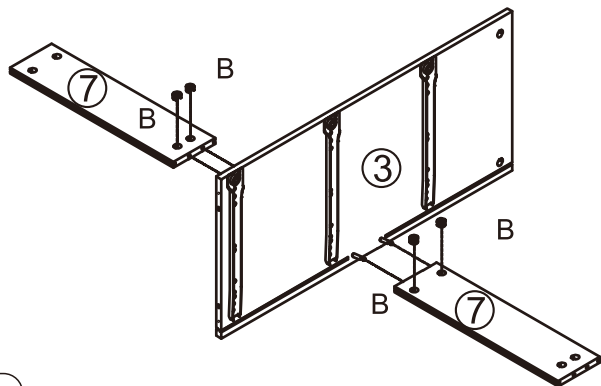
## Step 1



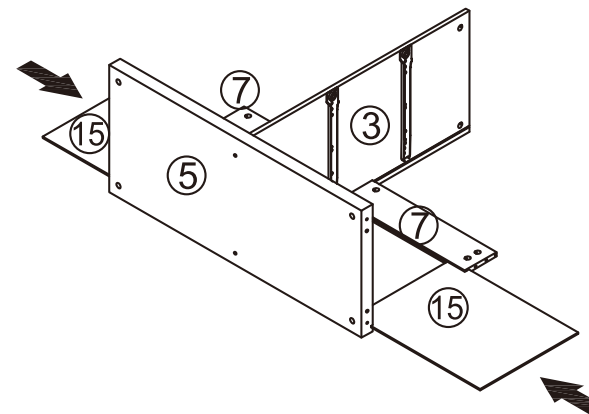
## Step 2



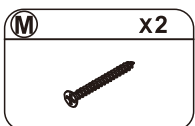
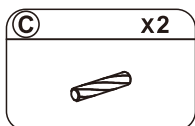
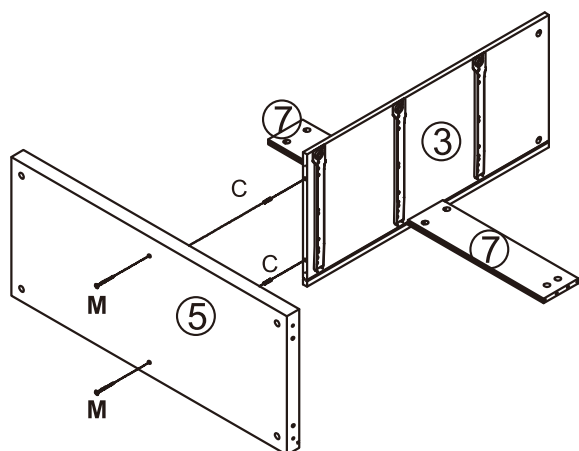
### Step 3



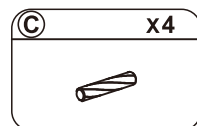
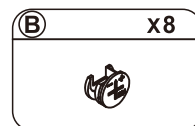
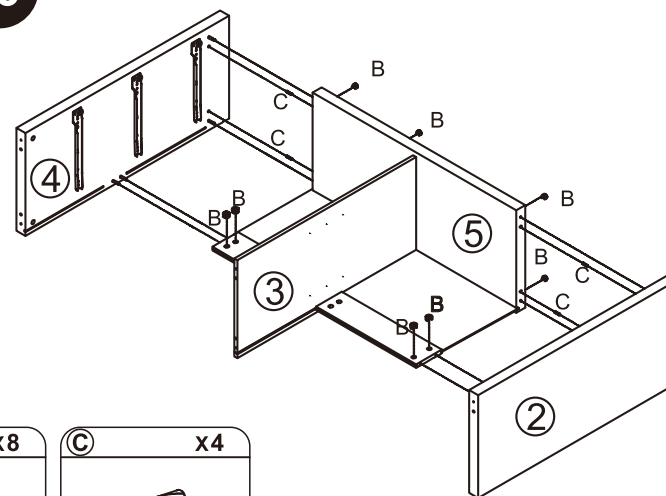
### Step 5



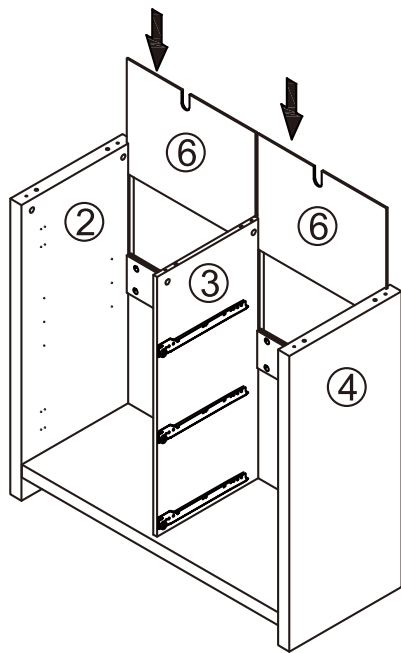
### Step 4



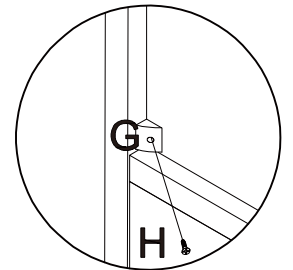
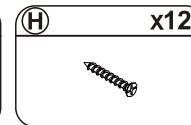
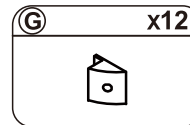
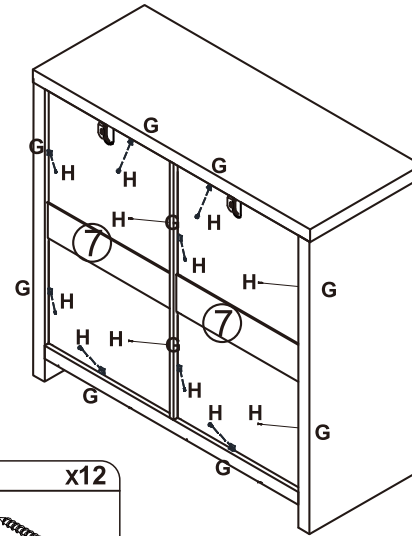
### Step 6



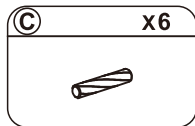
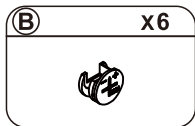
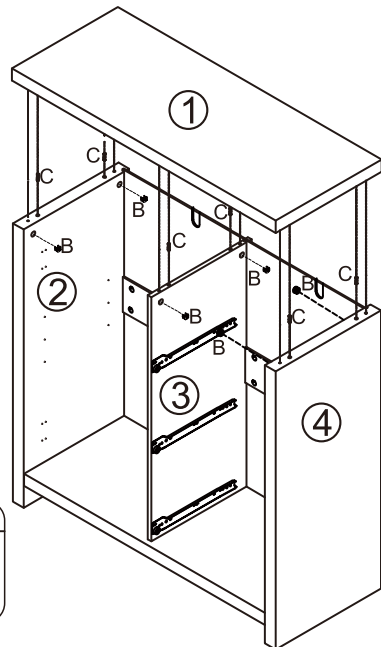
### Step 7



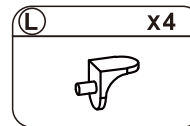
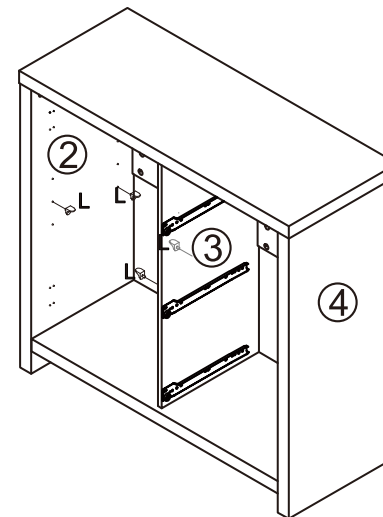
### Step 9



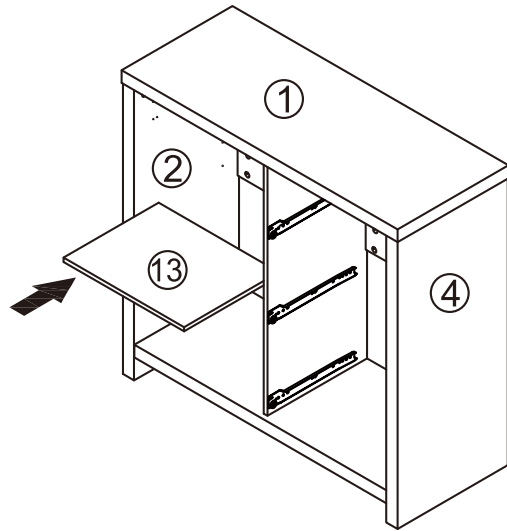
### Step 8



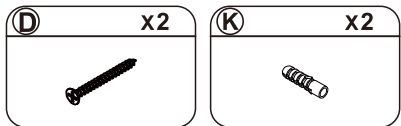
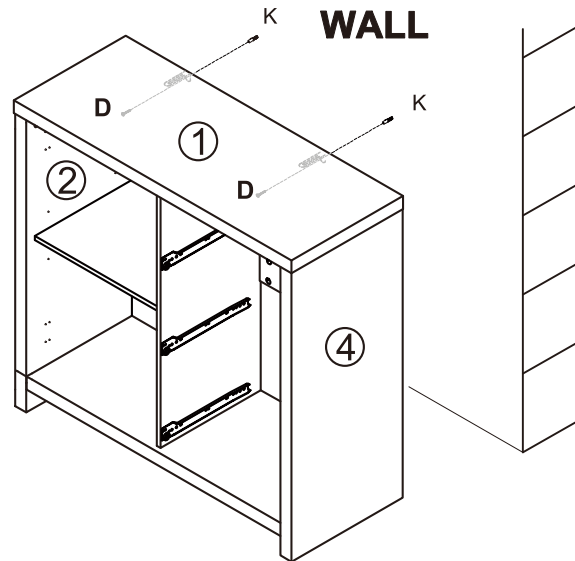
### Step 10



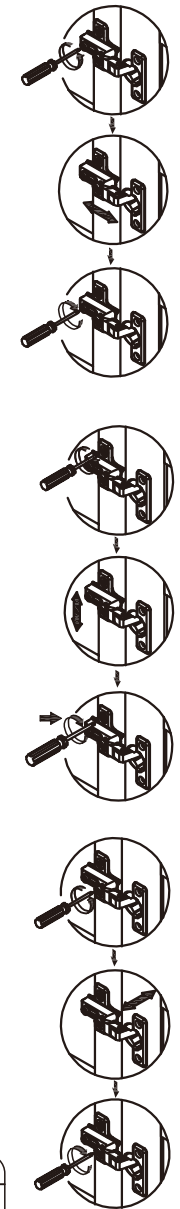
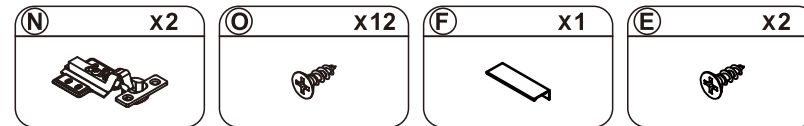
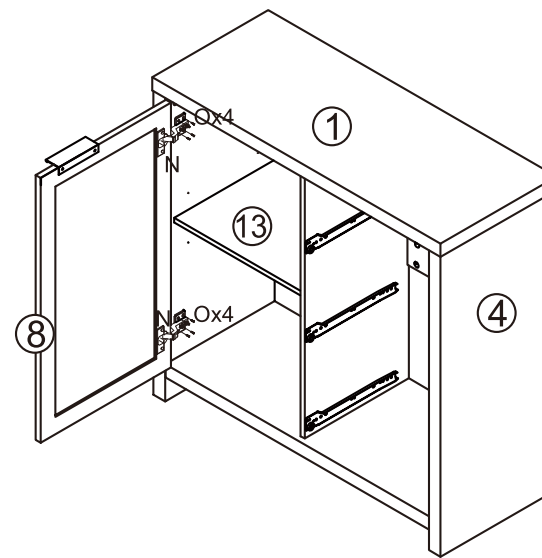
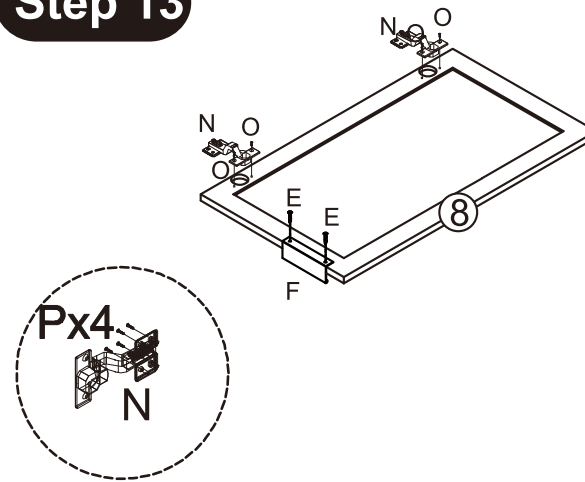
### Step 11



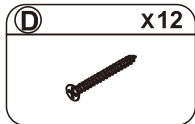
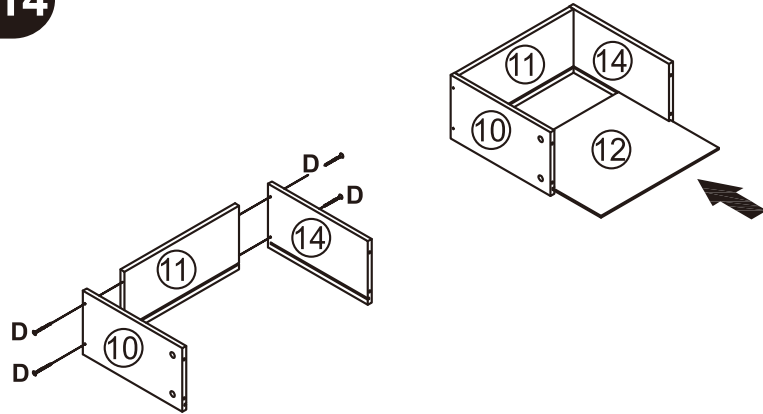
### Step 12



### Step 13

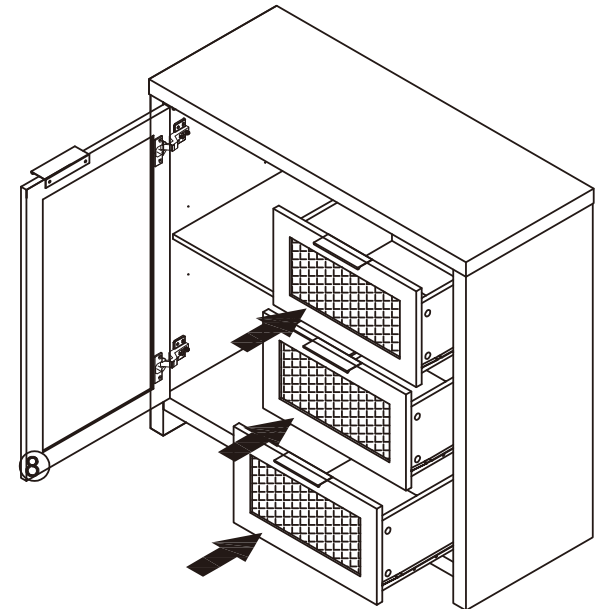
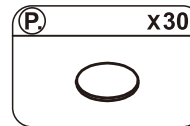
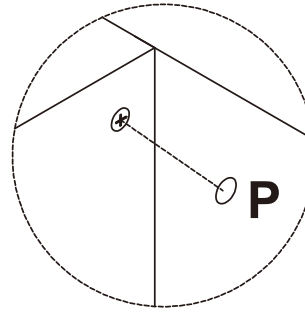


### Step 14

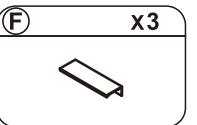
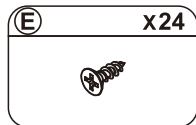
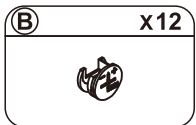
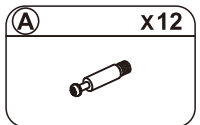
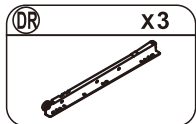
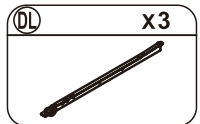
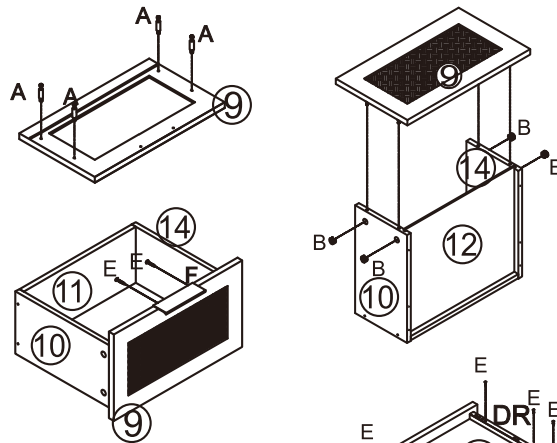
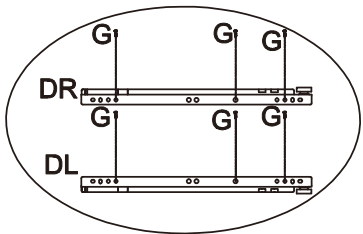


x 3

### Step 16

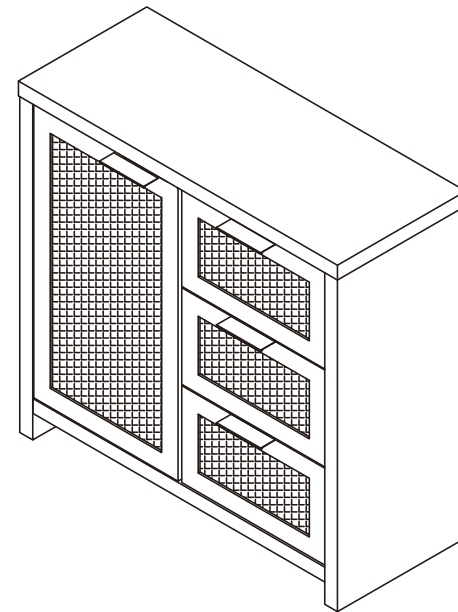


### Step 15



x 3

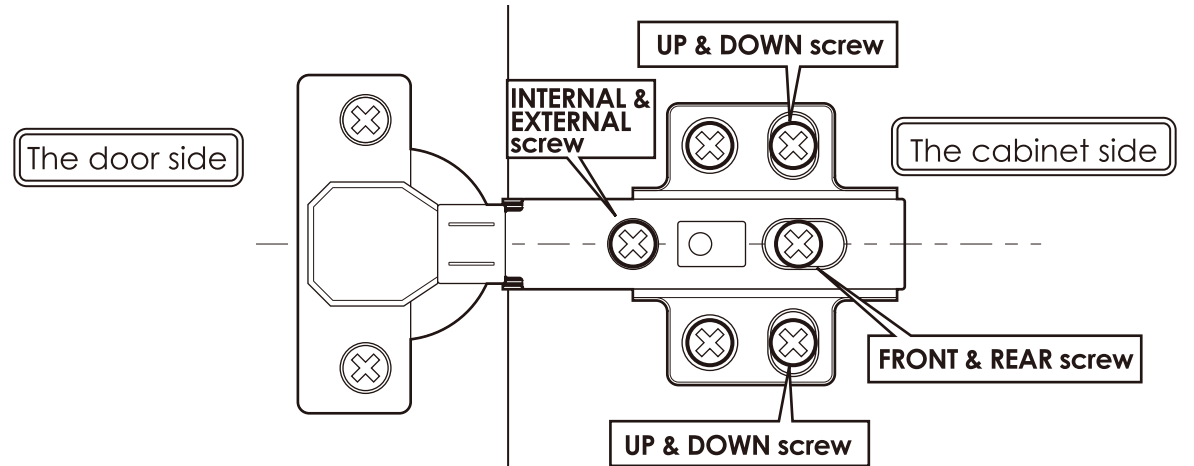
### Step 17



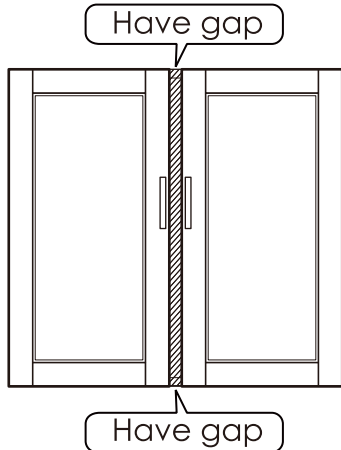
# Adjusting the door

- Before adjusting the hinge, please check whether the cabinet is skewed.
- If the skew can not be repaired, please remove the anti-tipping device first, then adjust the cabinet to vertical position.
- Please adjust the hinge with the door open.
- Please operate it with more than 2 people, one person holds the door and the other one adjusts the screw.
- Have trouble adjusting the door? Please check out our video on adjusting the door via our website or contact [care@oakhamdesign.com](mailto:care@oakhamdesign.com) !

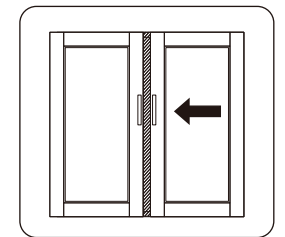
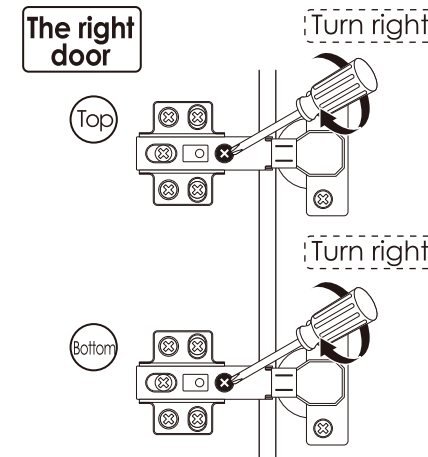
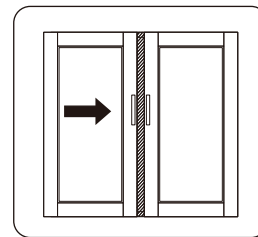
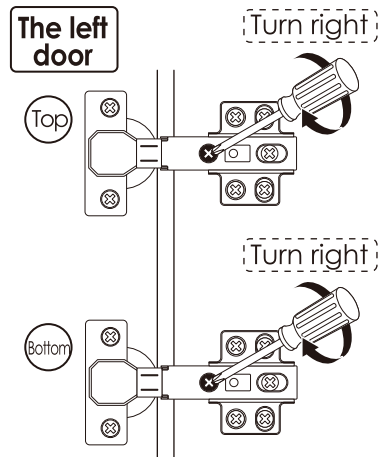
## Components Name



### Obvious gaps between doors or Doors don't look closed



1 Turn "internal & external screw" to the right can make the door approach inside. Please adjust the doors little by little.



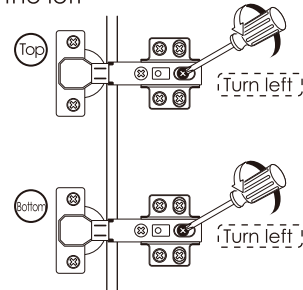
※ If the 2 doors are overlap, please turn the "internal & external screw" to the left.

**When door is crooked**



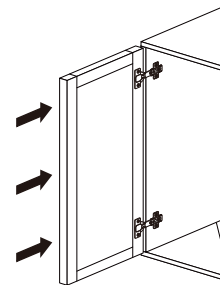
Please take the following steps to adjust first.

**1** Rotate the "front and rear screws" to the left

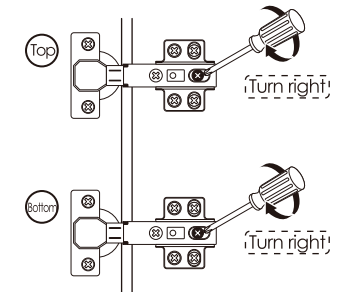


※ After adjusting the "front and rear screw", the door still does not change, please turn the "internal & external screw" to the right Slightly.

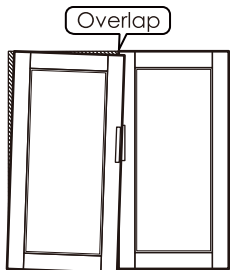
**2** Push the door to the cabinet



**3** Rotate the "front and rear screws" to the right

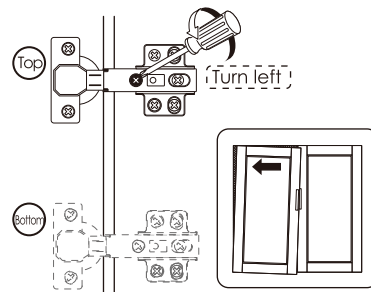


**When door is leaning**

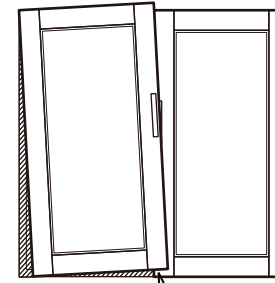


Protruding to the underside

**1** Turn "internal & external screw" to the left can make the top of the door tilted outward.

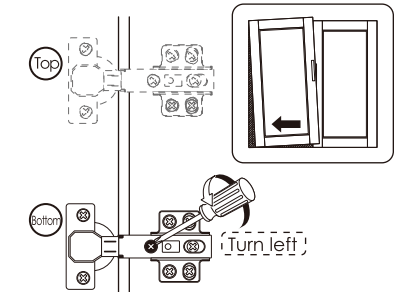


Protruding to the upside

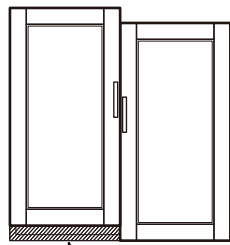


Overlap

**1** Turn "internal & external screw" to the left can make the bottom of the door tilted outward.

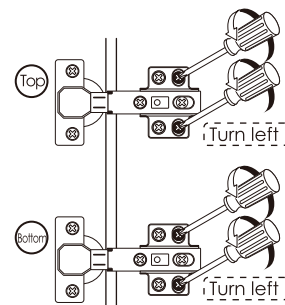


**When the door is higher on top**

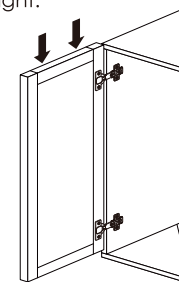


Have gap

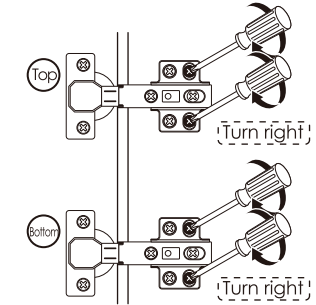
**1** Turn "up & down screw" to the left



**2** Lower the door's height so that 2 doors are of the same height.

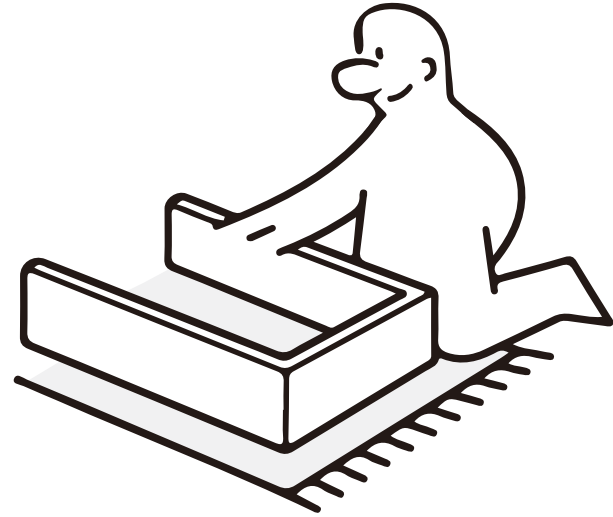
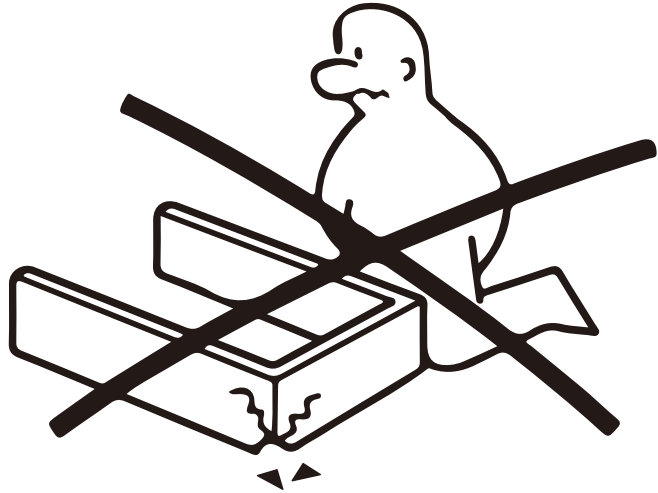


**3** Turn "up & down screw" to the right



※ If the door is lower on bottom, please lift up the left door slightly on step 2

※ **Stay Scratch-Free: Safeguard Your Furniture by Assembling on Carpet.**



※ **Stuck in Assembly Limbo? Check out our website or contact our support team for quick solutions!**

