
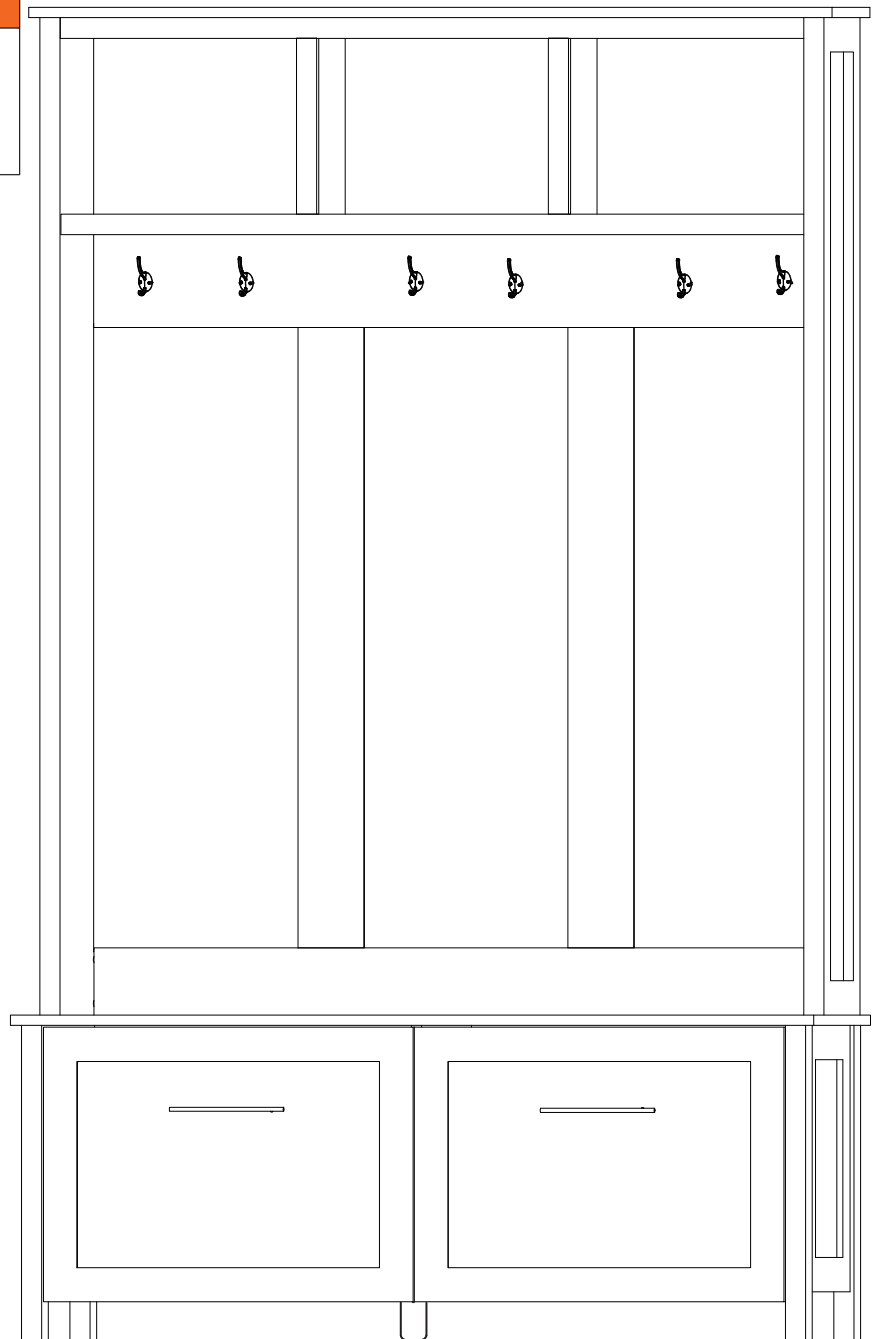


# Hall Tree

Assembly Instructions - Please keep for future reference

! WARNING	
	This product is NOT a Clothing Storage Unit (CSU). DO NOT use it for clothing storage. Improper use may cause furniture tipover.



## Dimensions

Width-47.2 inch

Depth-15.5 inch

Height-76.6 inch

Important – Please read these instructions fully before starting assembly



# Safety and Care Advice

**Important – Please read these instructions fully before starting assembly**

- Check you have all the components and tools listed on the following pages.
- Remove all fittings from the plastic bags and separate them into their groups.
- Keep children and animals away from the work area, small parts could choke if swallowed.
- Make sure you have enough space to layout the parts before starting.

- During assembly do not stand or put weight on the product, this could cause damage.
- Assemble the item as close to its final position (in the same room) as possible.
- Assemble on a soft level surface to avoid damaging the unit or your floor.
- Parts of the assembly will be easier with 2 people.



power drill is set on a low torque setting.

- To reduce the likelihood of damaging your product please ensure that your

## Care and maintenance

- Only clean using a damp cloth and mild detergent, do not use bleach or abrasive cleaners.
- From time to time check that there are no loose screws on this unit.
- This product should not be discarded with household waste. Take to your local authority waste disposal centre.

## Handy Hints

- Assemble all parts and bolts loosely during assembly, only once the product is complete should you fully tighten the bolts
- Regularly check and ensure That all bolts and fittings are tightened properly.

**WARNING**  
**In order to help prevent overturning – please follow these instructions**

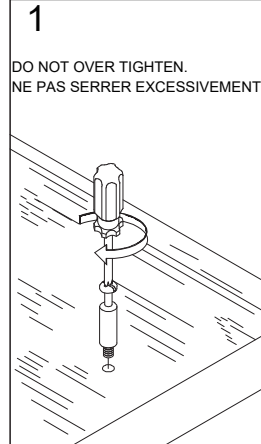
To help prevent product toppling over please follow the below steps:-

- Use the anti tip stap or wall fixing method provided (if applicable)
- Do not allow children to climb or hang on the furniture
- Do not open more than one drawer at a time
- Do not place heavy items in the top drawers
- Do not place heavy items on top of the furniture, unless the furniture has been designed for this purpose

# Using Camlocks

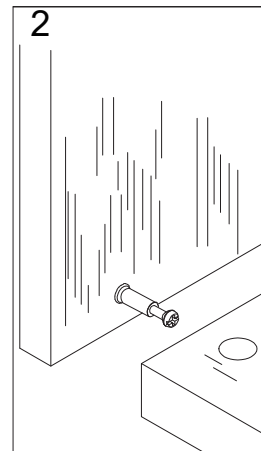
## Step 1

Connect the male camlock as directed in the assembly instructions using a screwdriver.



## Step 2

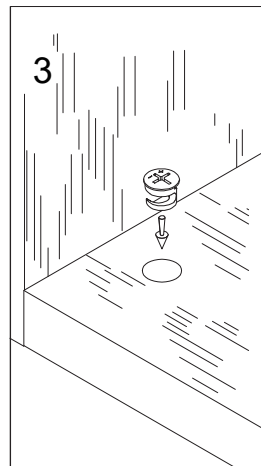
Push the male camlock into the entry hole.



## Step 3

Insert the female camlock as shown in the instruction.

Note: ensure that the arrow on the top of the camlock points towards the entry hole for the male camlock.

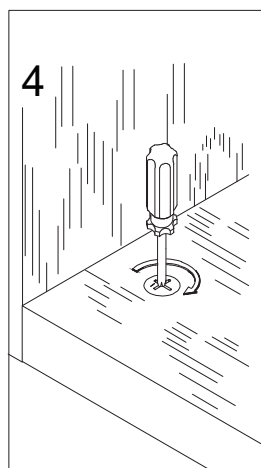


## Step 4

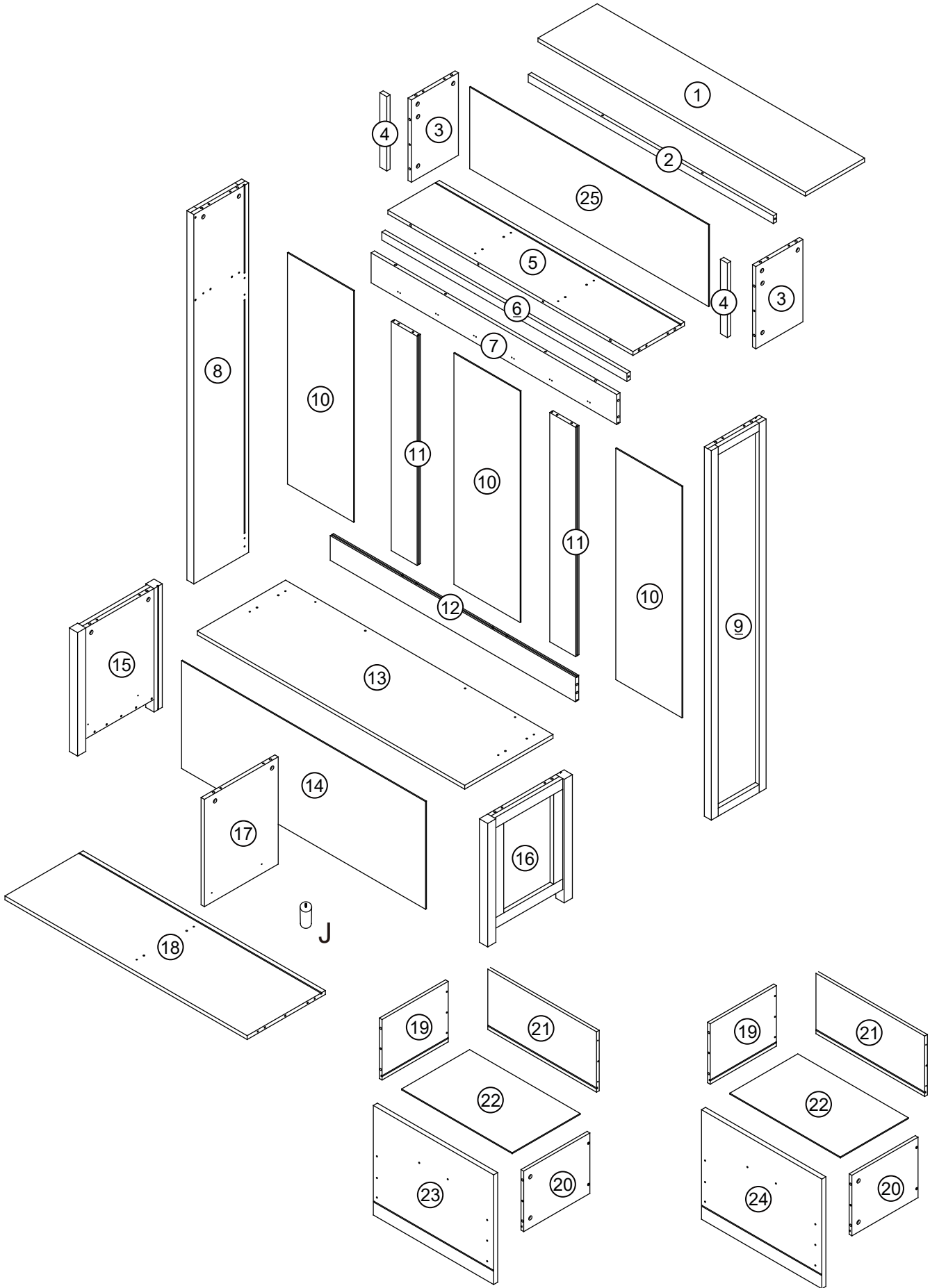
Turn the female camlock clockwise with a screwdriver.

You should feel a click when the camlock is locked in place.

The joint is now secure.

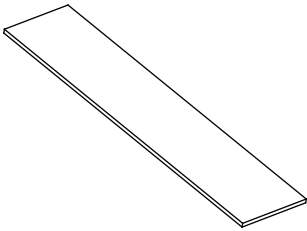
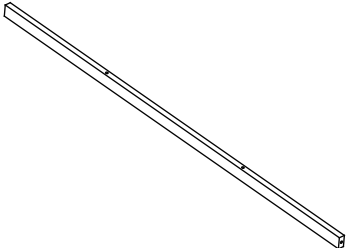
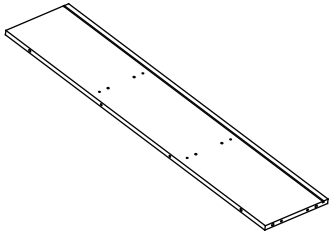
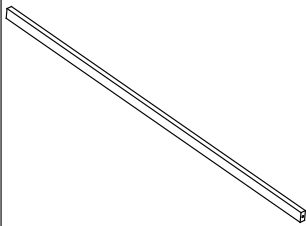
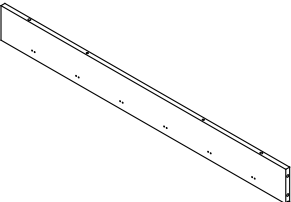
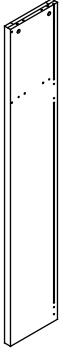
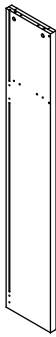


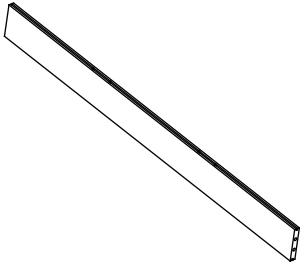
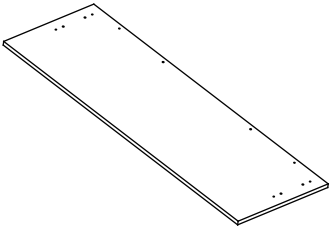
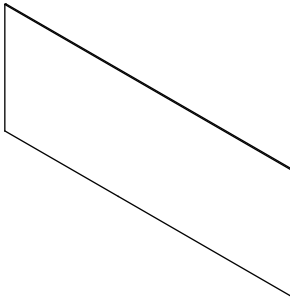
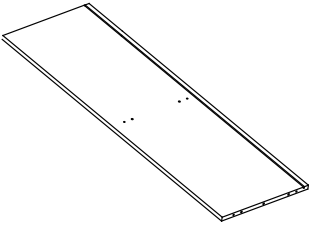
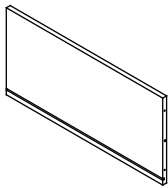
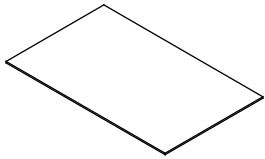
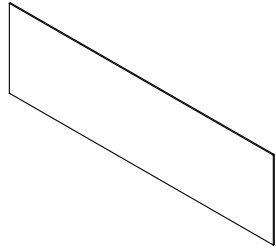


# Assembly Instructions



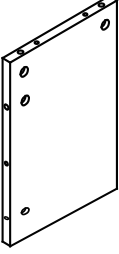

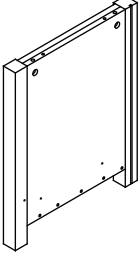
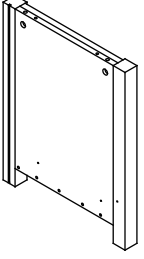
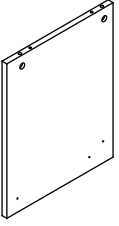
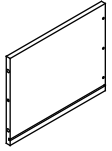
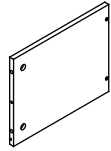
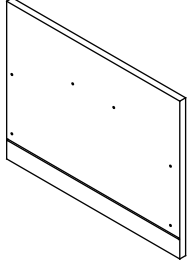
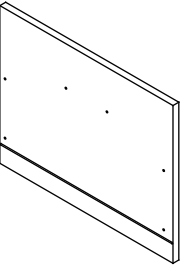
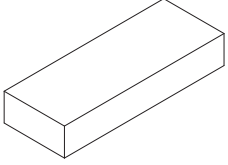
# Assembly Instructions

## BOX A

			
1200*263*15mm	1090*40*15mm	1090*234*15mm	1090*40*15mm
① x 1	② x 1	⑤ x 1	⑥ x 1
			
1090*147*15mm	1453*250*40mm	1453*250*40mm	905*307.5*3mm
⑦ x 1	⑧ x 1	⑨ x 1	⑩ x 3
			
894*100*15mm	1090*110*15mm	1200*395*15mm	1101*370*3mm
⑪ x 2	⑫ x 1	⑬ x 1	⑭ x 1
			
1090*362*15mm	482.5*240*15mm	493.5*294*3mm	1101*297*3mm
⑱ x 1	⑳ x 2	㉒ x 2	㉕ x 1

# Assembly Instructions



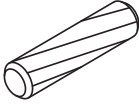

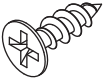
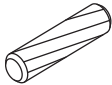

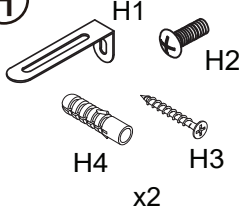
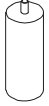

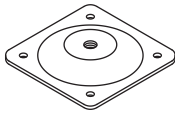
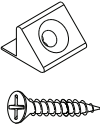
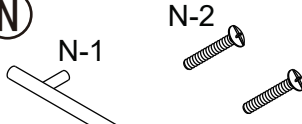



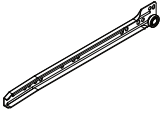

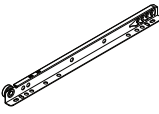
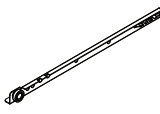
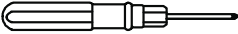
## BOX B

			
287*221*15mm	246*40*15mm	463*382*40mm	463*382*40mm
③ x 2	④ x 2	⑮ x 1	⑯ x 1
			
360*348*15mm	300*240*15mm	300*240*15mm	540*405*18mm
⑰ x 1	⑲ x 2	⑳ x 2	㉓ x 1
			
540*405*18mm			
⑳ x 1	Hardware Kit X1		

# Components-Fittings

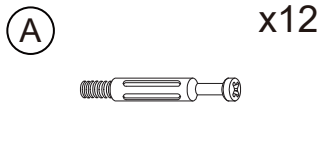
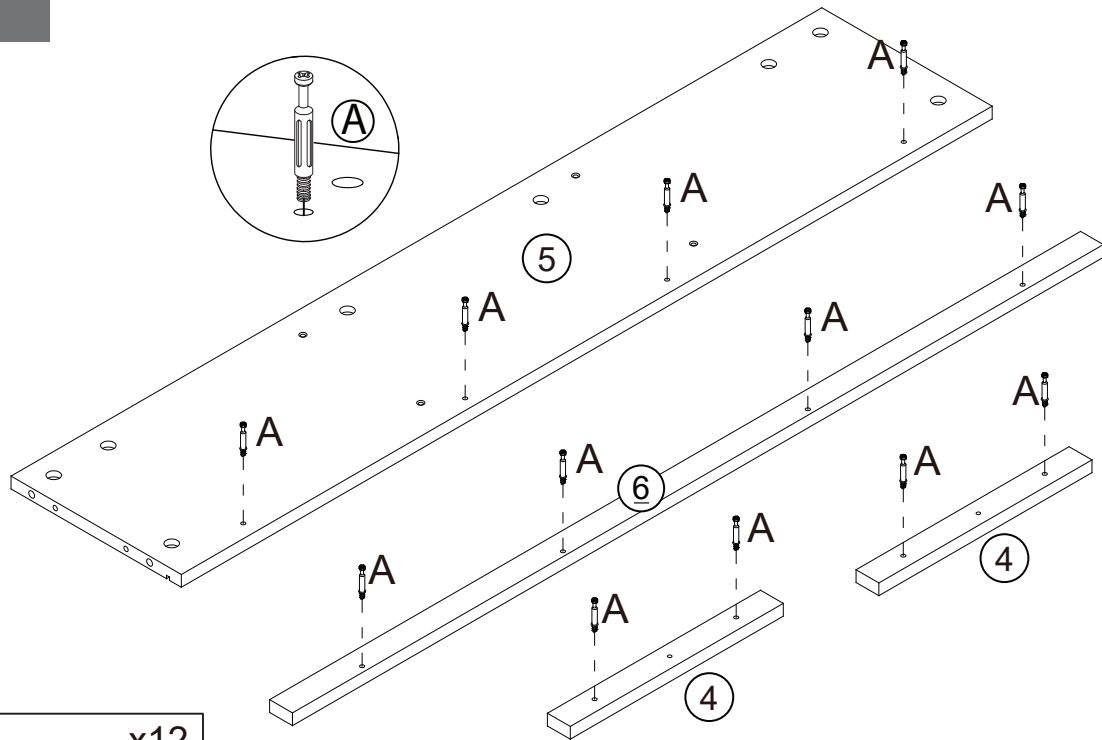
Please check you have all the panels listed below

Note: The quantities below are the correct amount to complete the assembly. In some cases more fittings may be supplied than are required.

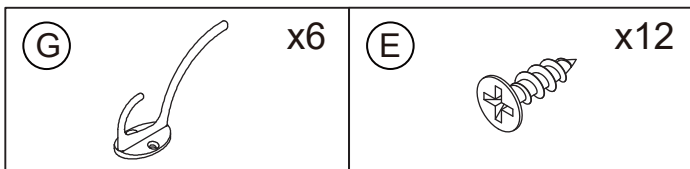
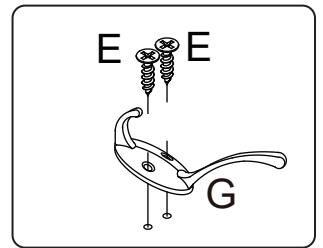
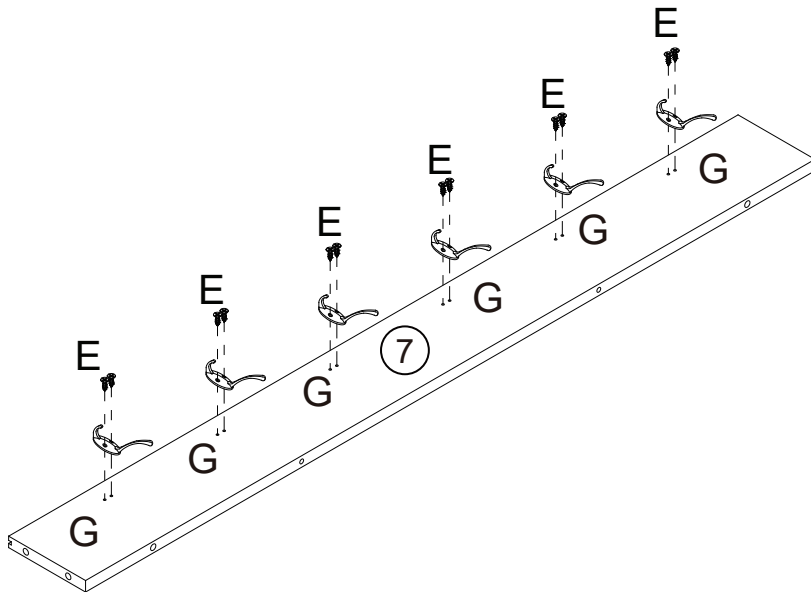
<p><b>(A)</b></p>  <p>Cam Bolt x 66+3</p>	<p><b>(B)</b></p>  <p>Cam Lock x 66+3</p>	<p><b>(C)</b></p>  <p>6*40mm Dowel x 30+2</p>	<p><b>(D)</b></p>  <p>7*40mm Screw x 10+2</p>
<p><b>(E)</b></p>  <p>3.5*14mm Screw x 36+2</p>	<p><b>(F)</b></p>  <p>6*30mm Dowel x 2+1</p>	<p><b>(G)</b></p>  <p>Clothes-hook x 6</p>	<p><b>(H)</b></p>  <p>H1 H2 H3 H4 x2</p>
<p><b>(J)</b></p>  <p>Middle Leg x 1</p>	<p><b>(K)</b></p>  <p>Leveler x 1+1</p>	<p><b>(L)</b></p>  <p>Iron Sheet x 1</p>	<p><b>(M)</b></p>  <p>3x16mm Screw x 24+2 Plastic Nail x 24+2</p>
<p><b>(N)</b></p>  <p>N-1 N-2 Handle x 2</p>	<p><b>(O)</b></p>  <p>Hole to stick x 12+2</p>	<p><b>(P)</b></p>  <p>Allen Wrench x 1</p>	<p><b>(Q)</b></p>  <p>3.5*35mm Screw x 8+2</p>
<p><b>(CR)</b></p>  <p>Runner 300mm x 2</p>	<p><b>(CL)</b></p>  <p>Runner 300mm x 2</p>	<p><b>(DR)</b></p>  <p>Runner 300mm x 2</p>	<p><b>(DL)</b></p>  <p>Runner 300mm x 2</p>
 <p>Screwdriver x 1</p>			

# Assembly Instructions

## Step 1

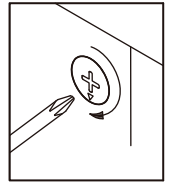
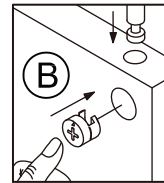
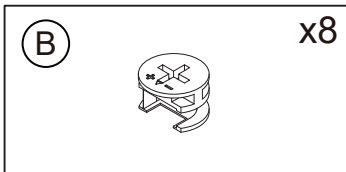
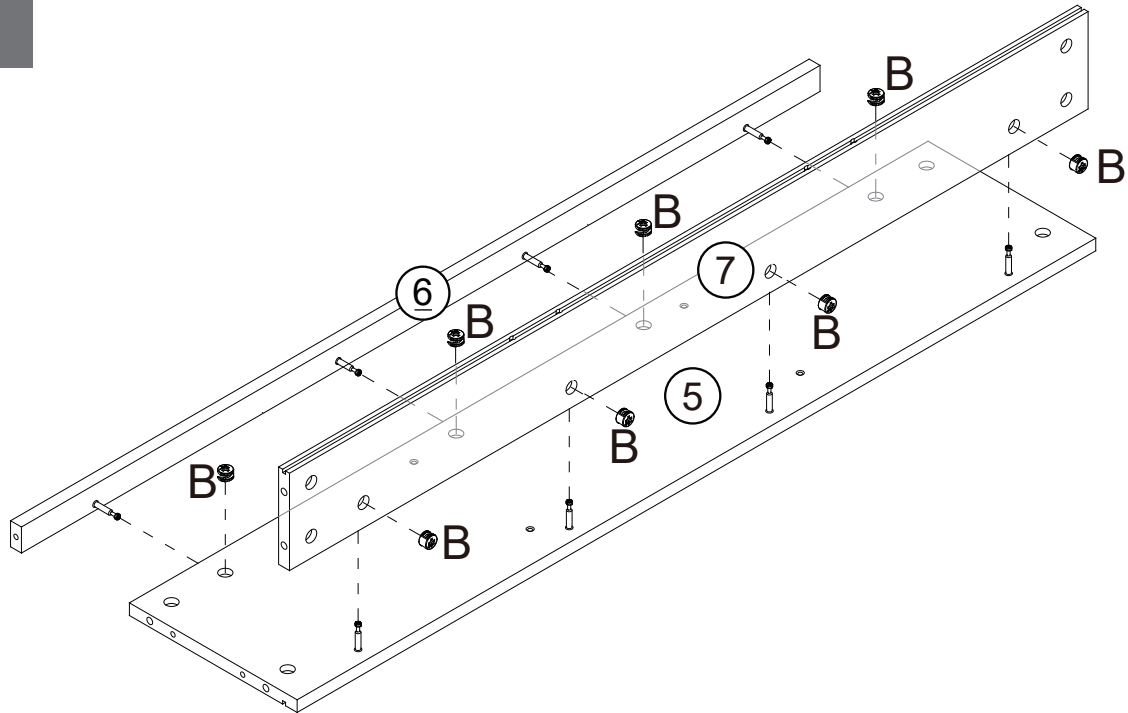


## Step 2

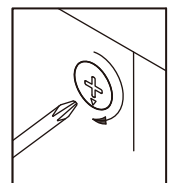
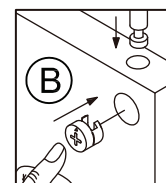
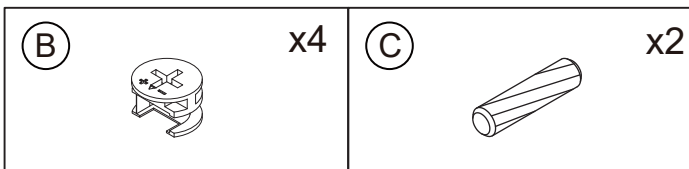
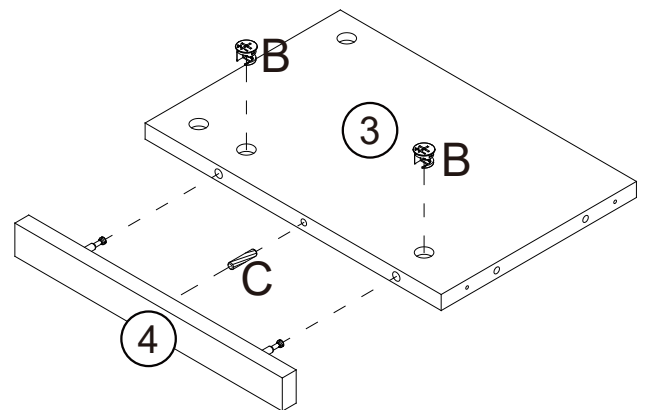
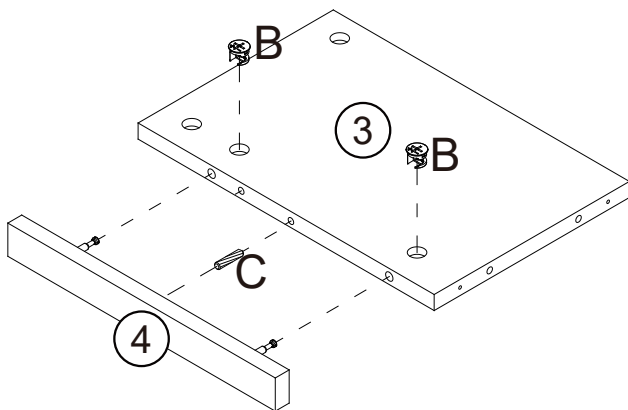


# Assembly Instructions

## Step 3

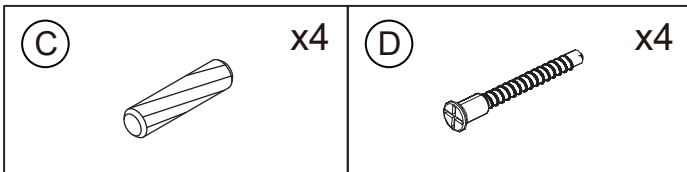
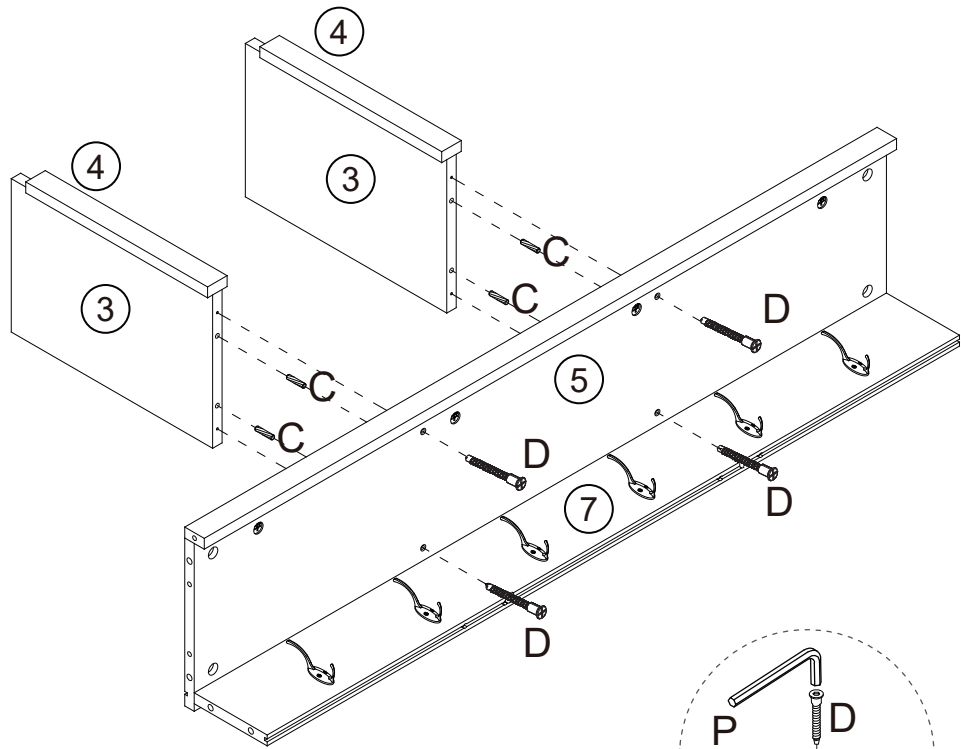


## Step 4

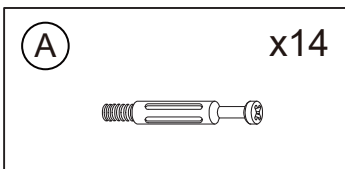
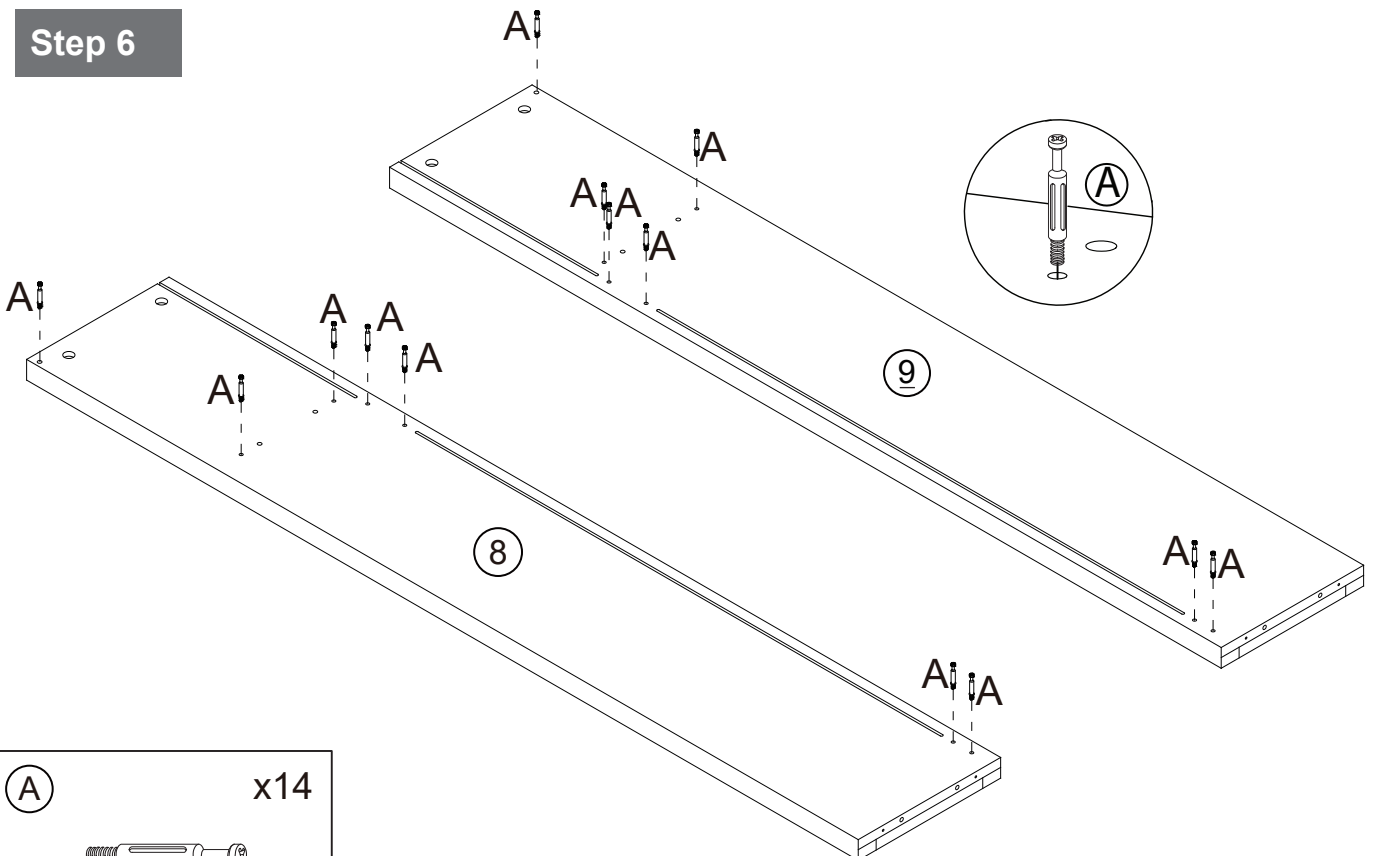


# Assembly Instructions

## Step 5

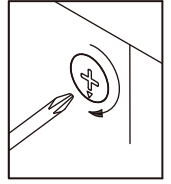
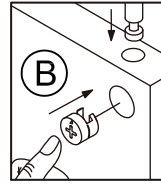
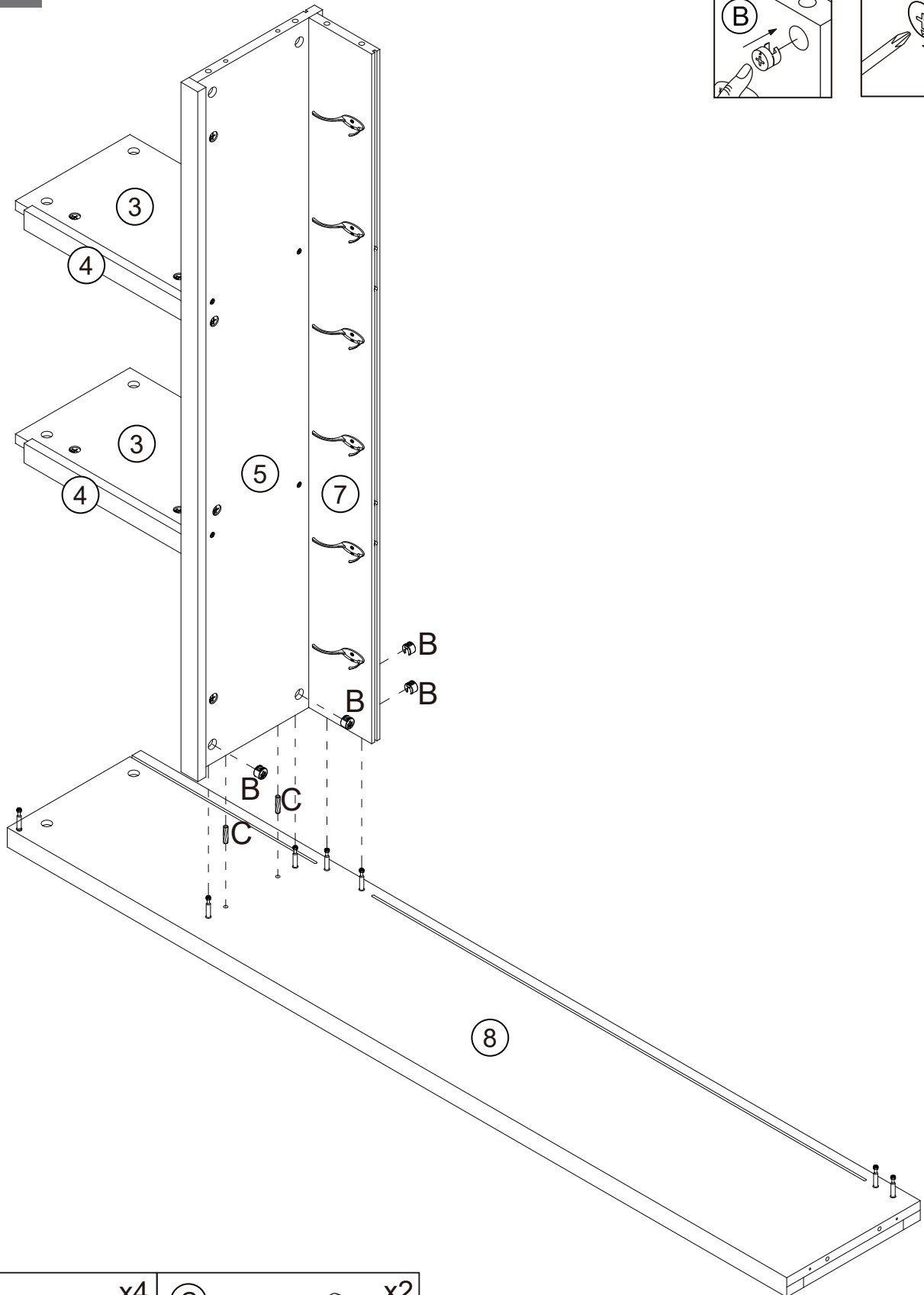



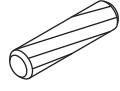
## Step 6



# Assembly Instructions

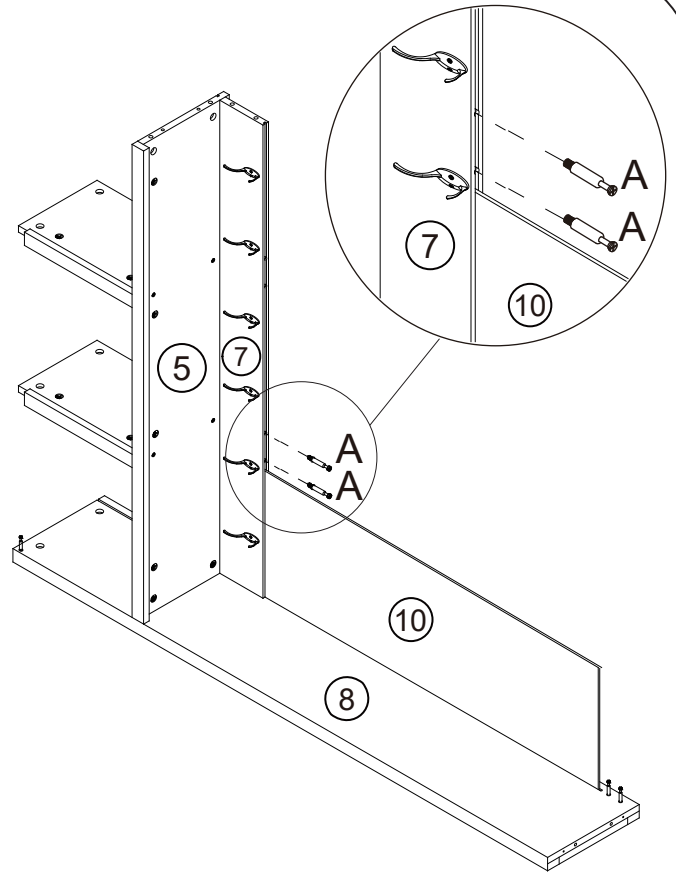
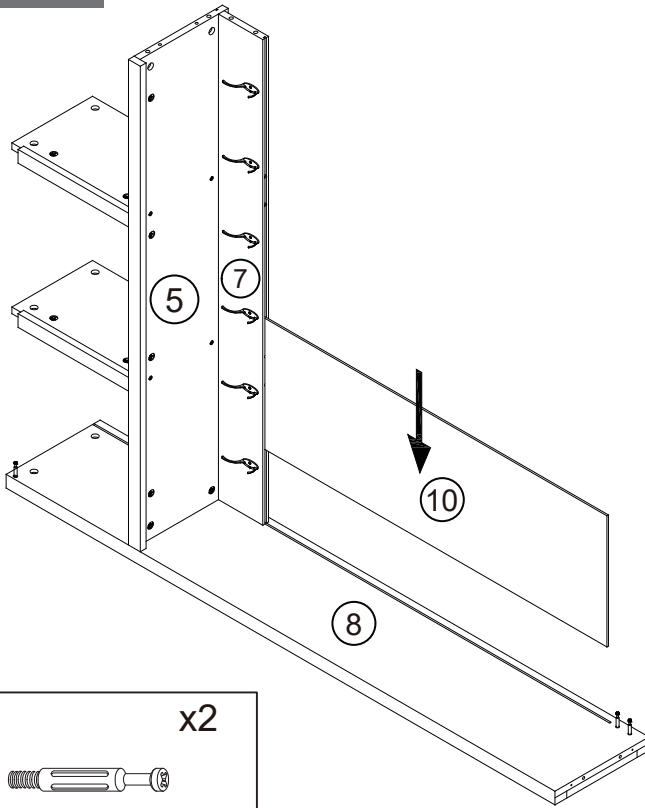
## Step 7



<p>(B)</p>  <p>x4</p>	<p>(C)</p>  <p>x2</p>
--	--

# Assembly Instructions

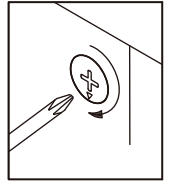
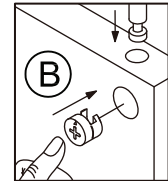
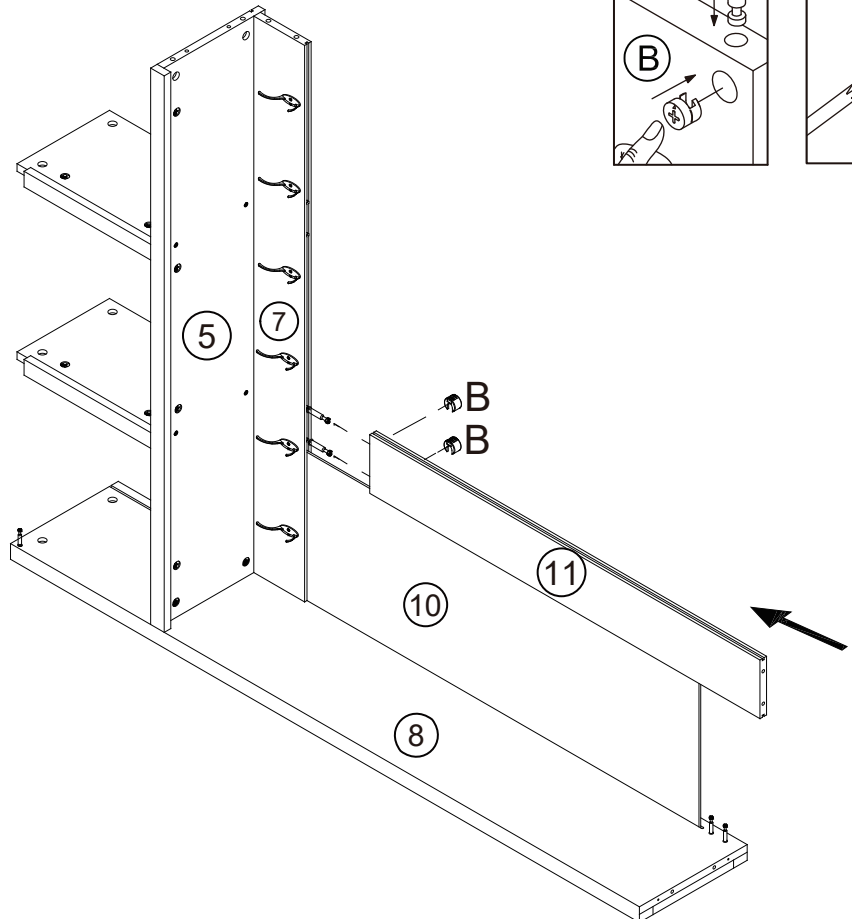
## Step 8



(A) x2



## Step 9

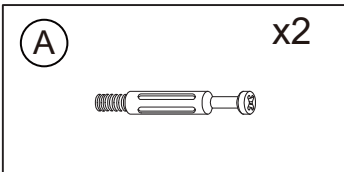
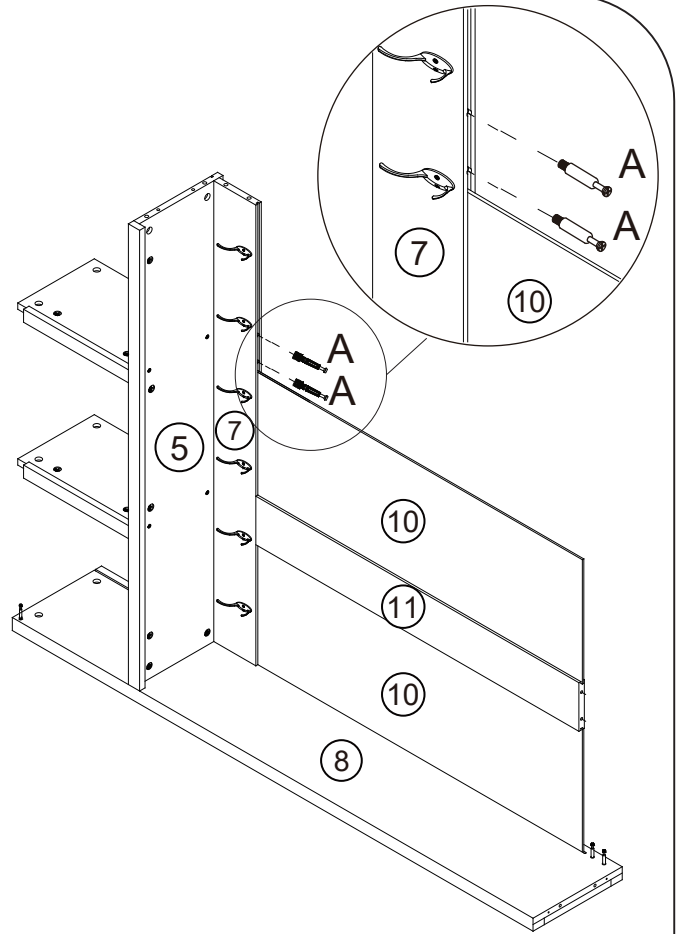
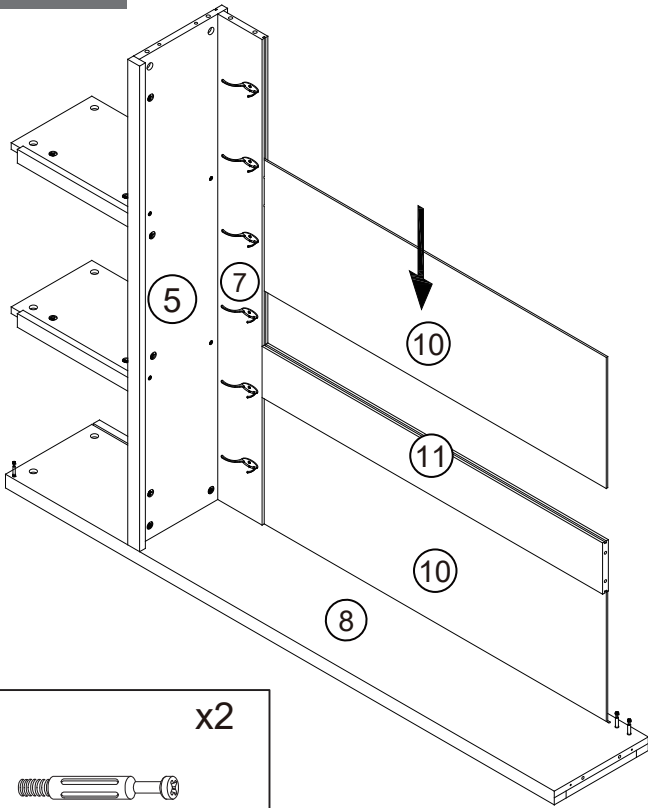


(B) x2

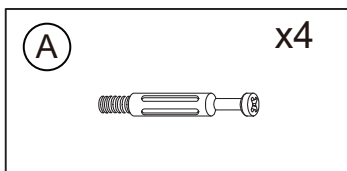
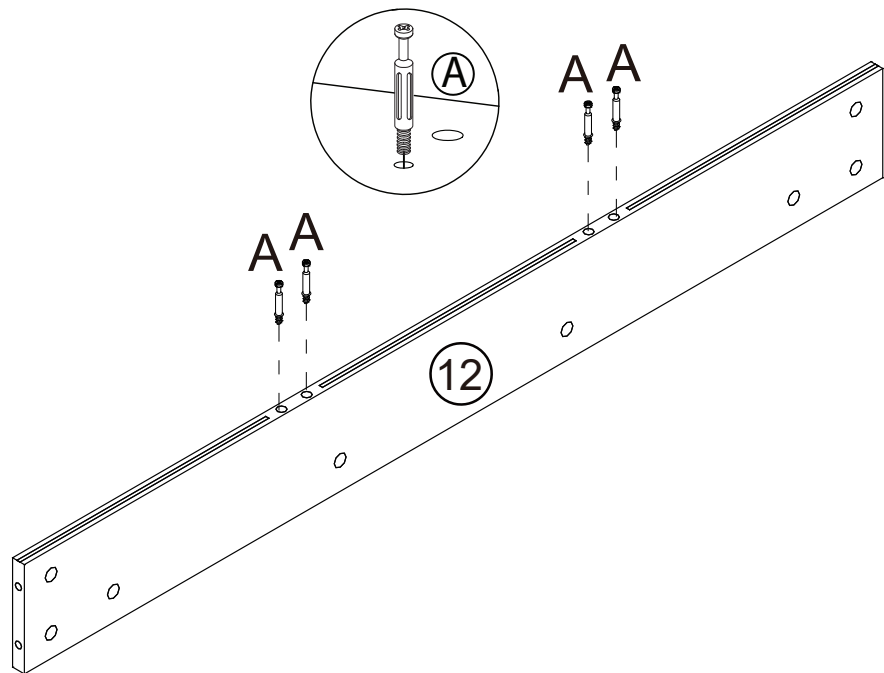


# Assembly Instructions

## Step 10

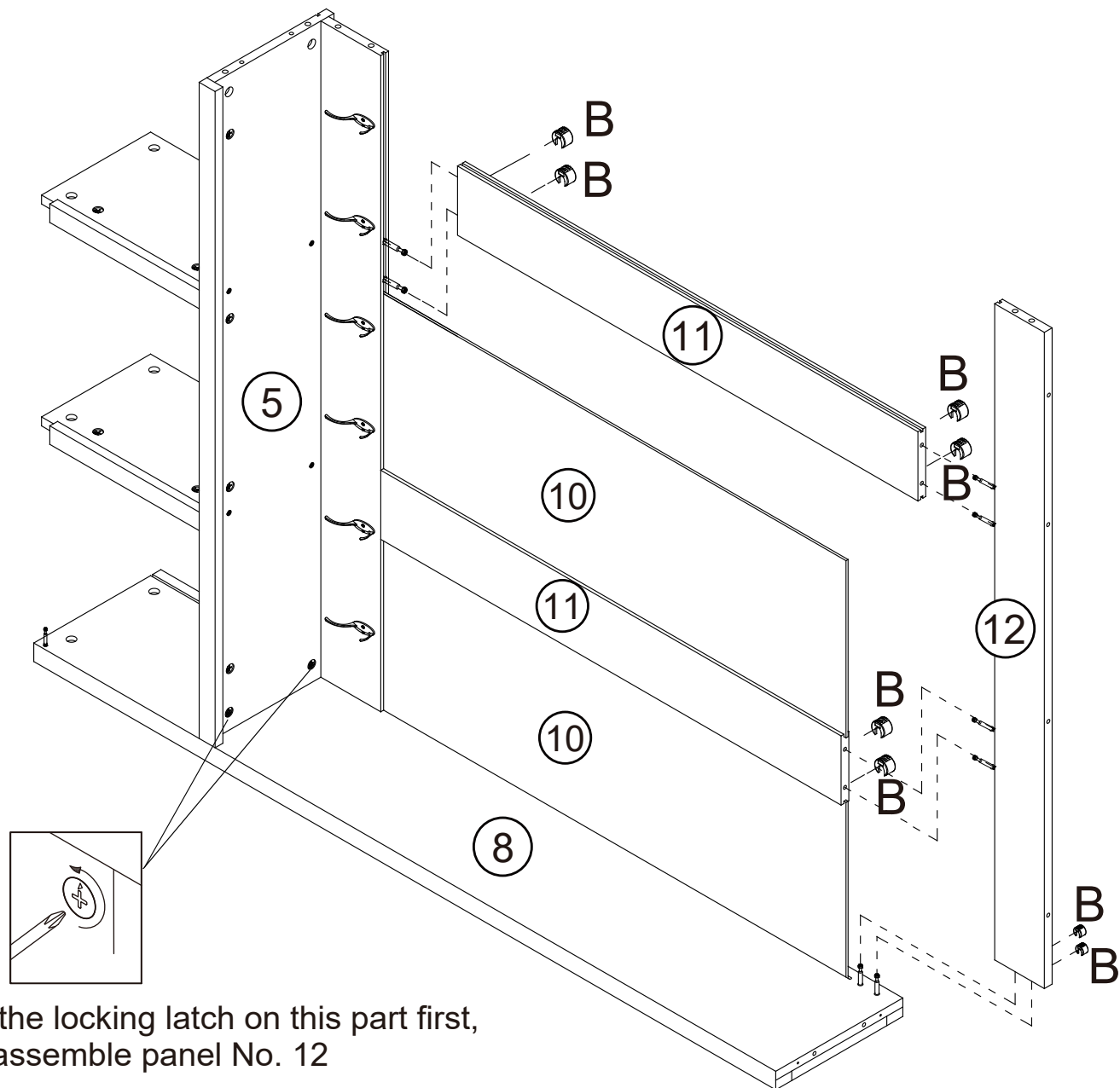
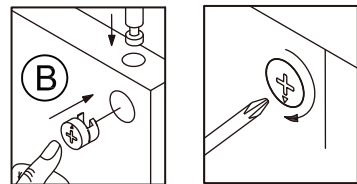


## Step 11

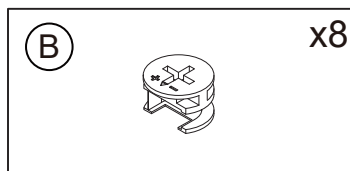


# Assembly Instructions

## Step 12

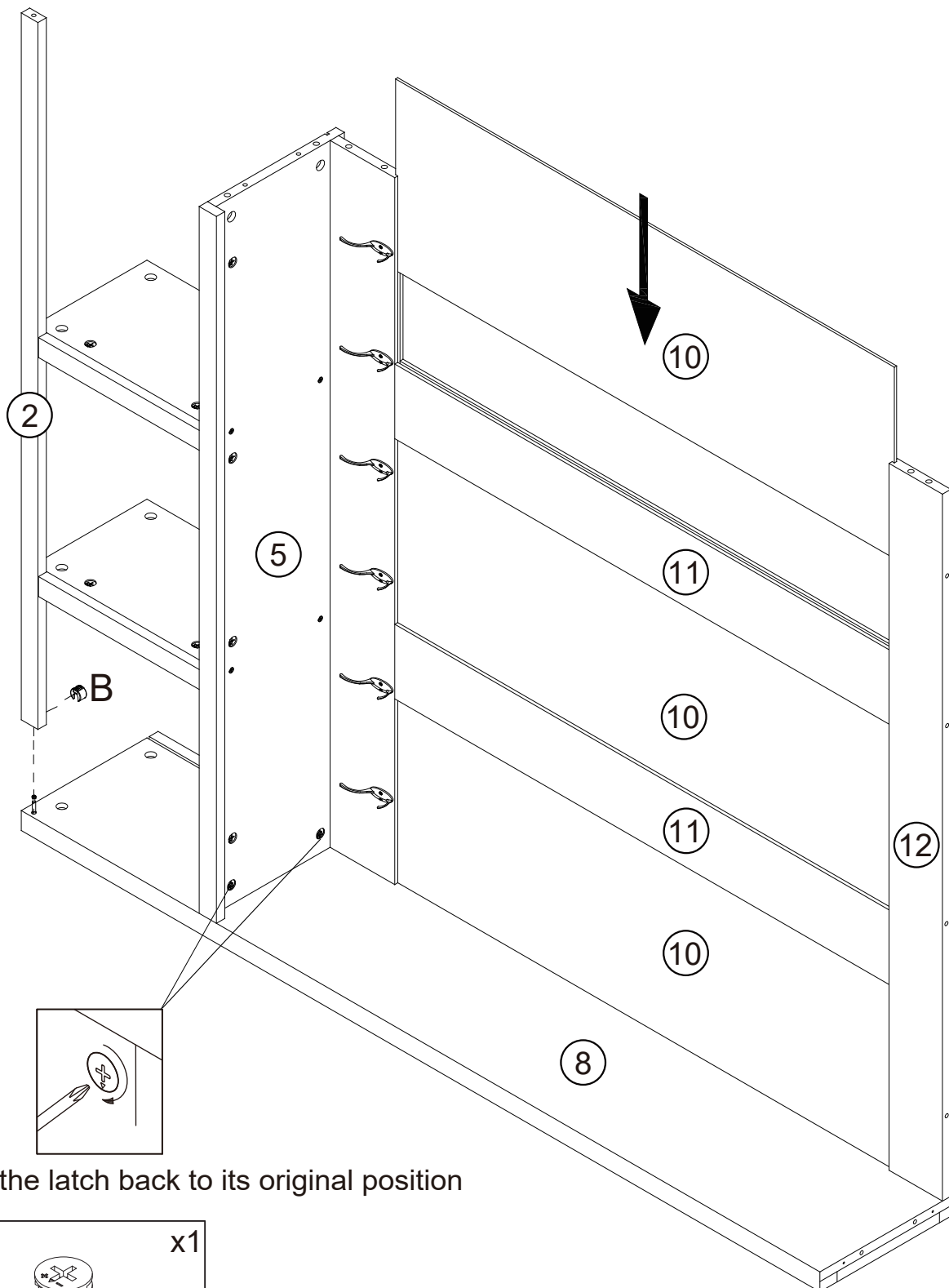
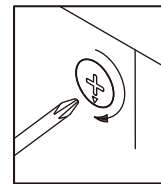
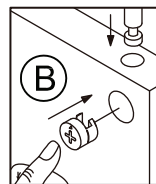


Open the locking latch on this part first,  
then assemble panel No. 12

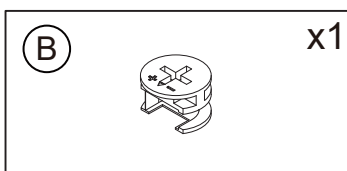


# Assembly Instructions

## Step 13

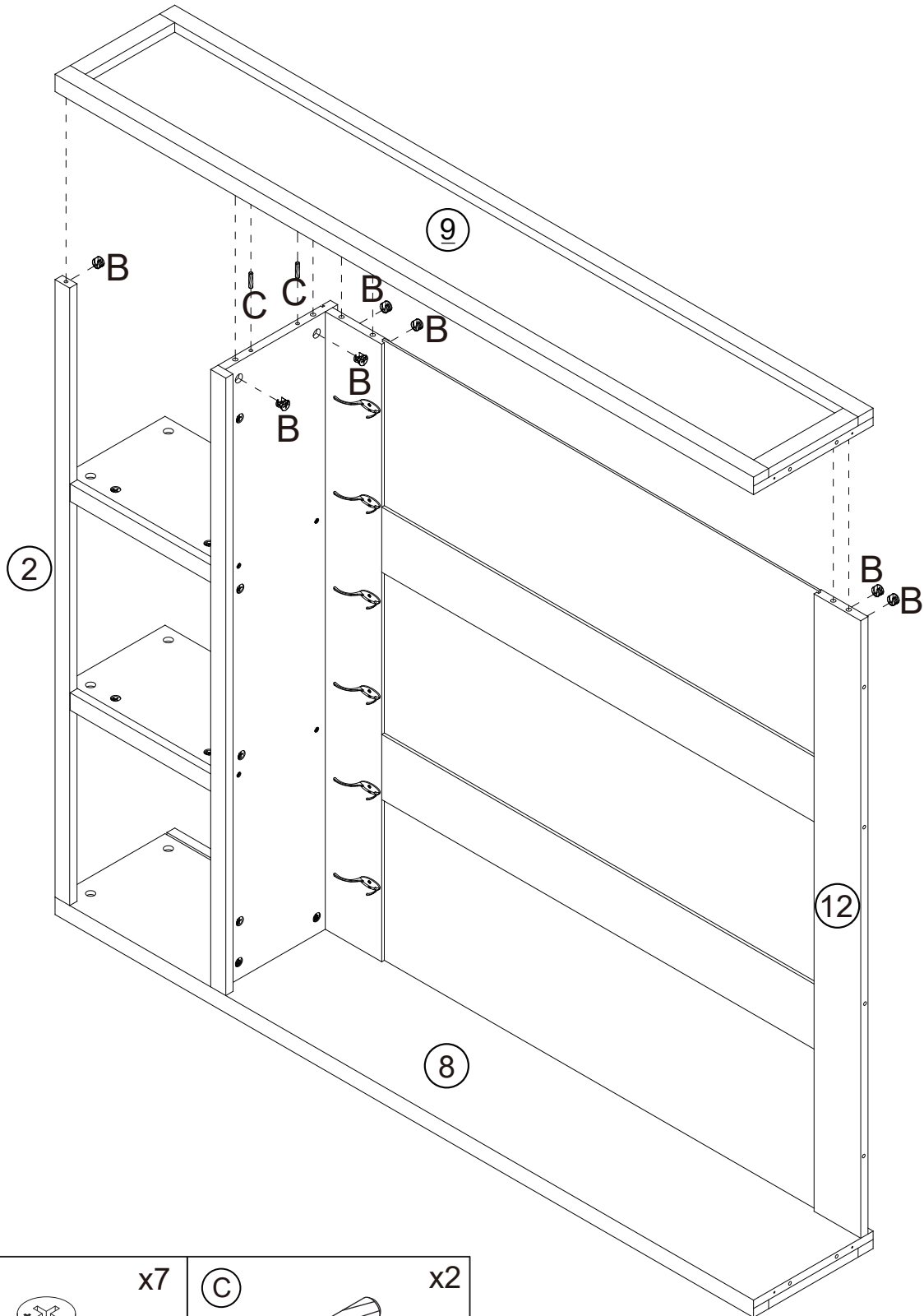
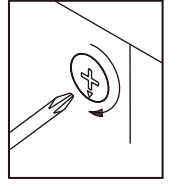
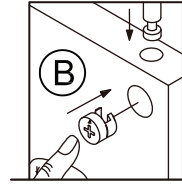


Lock the latch back to its original position



# Assembly Instructions

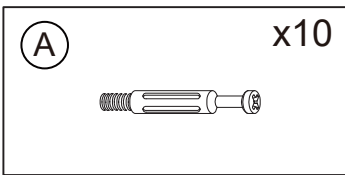
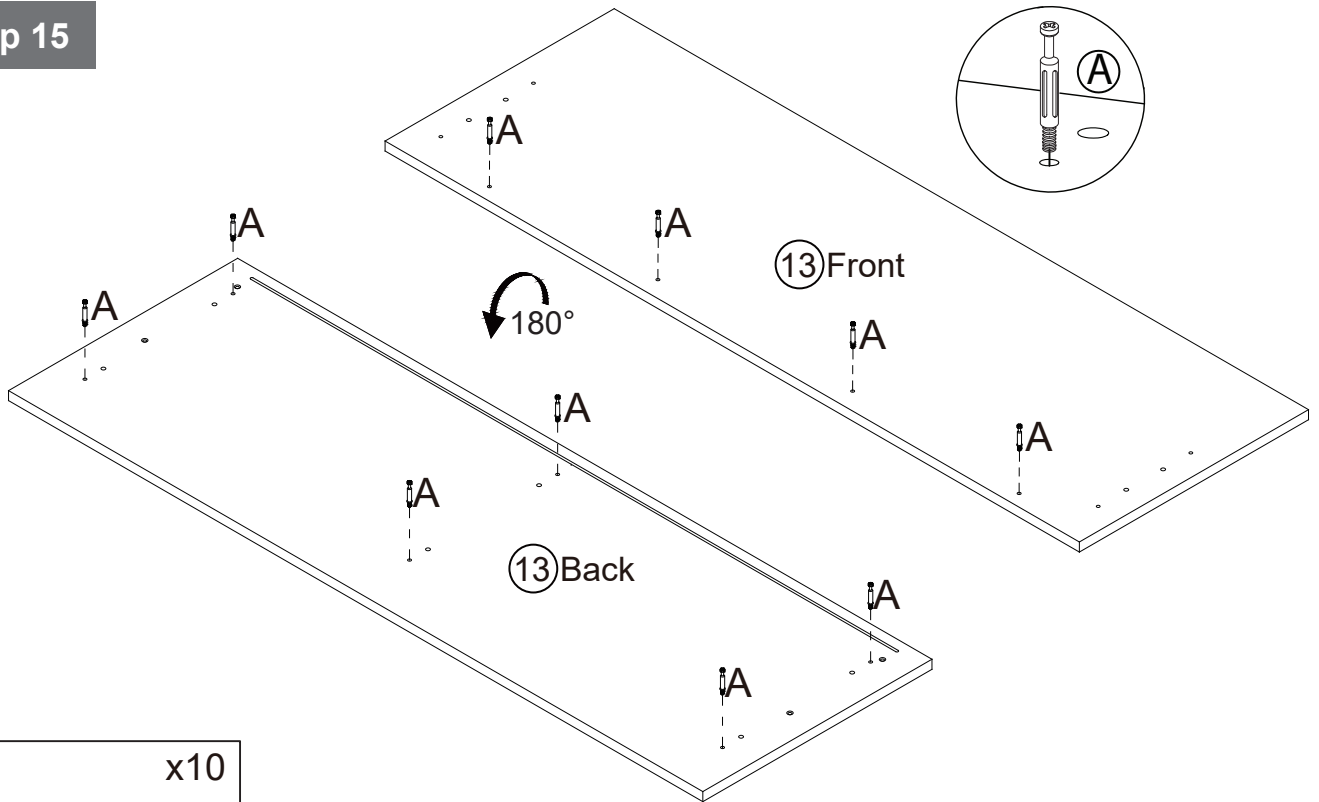
## Step 14



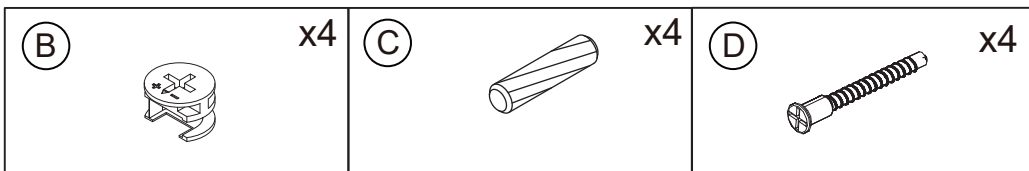
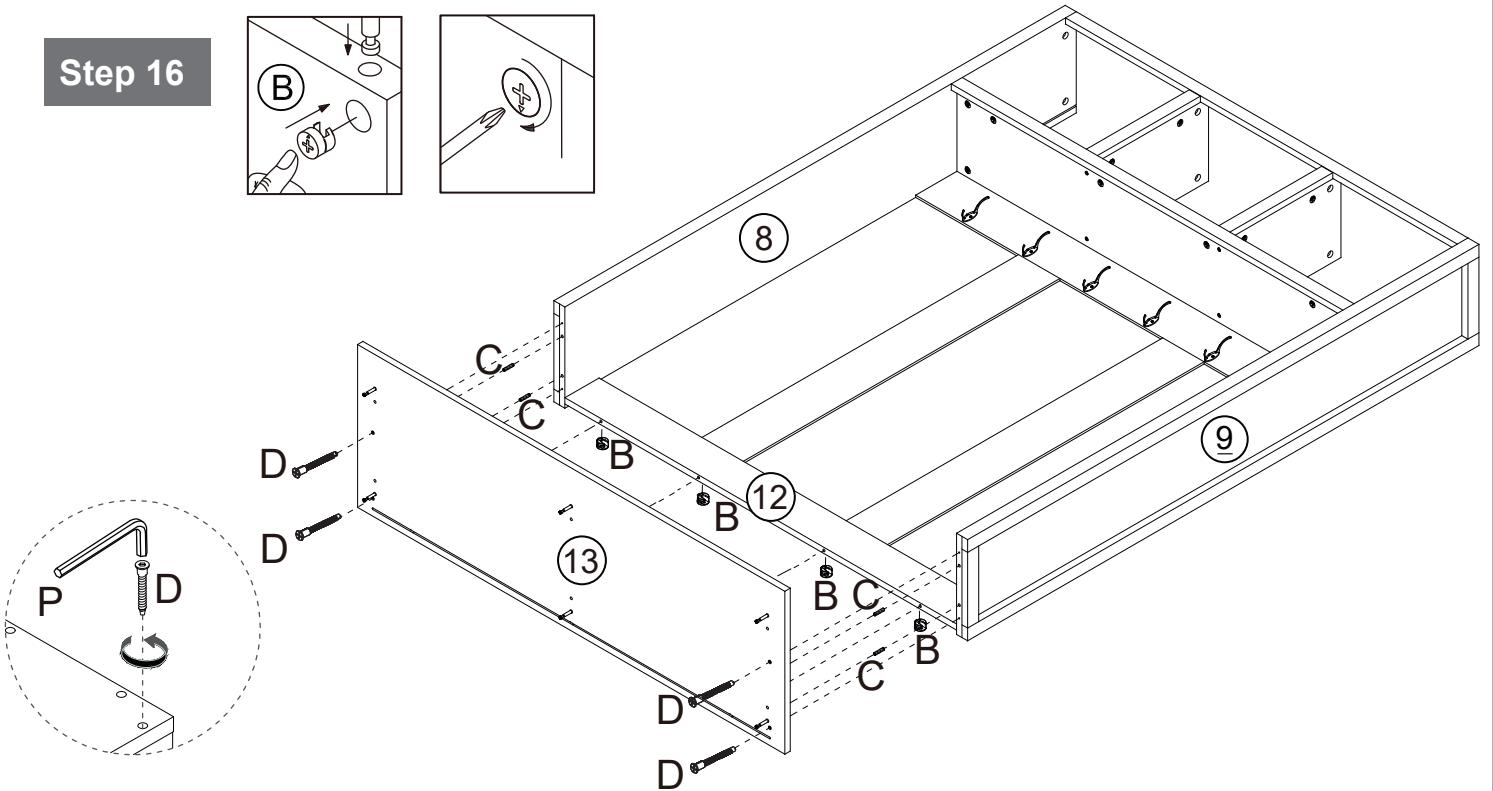
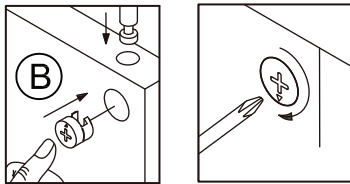
(B)		x7	(C)		x2
-----	--	----	-----	--	----

# Assembly Instructions

## Step 15

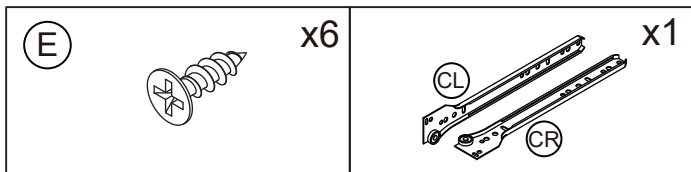
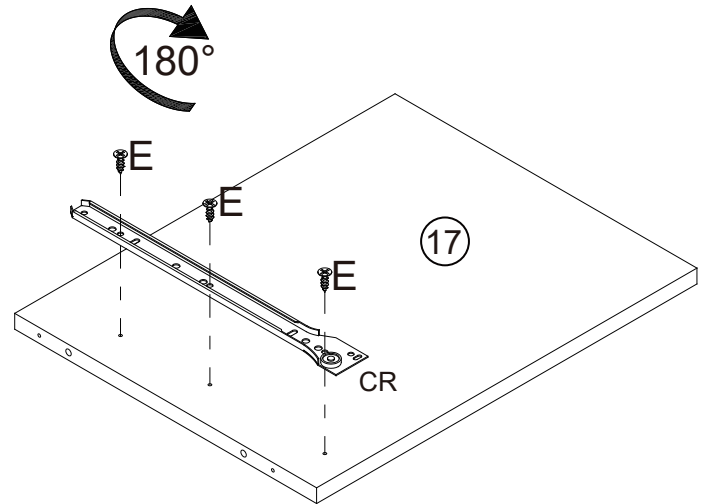
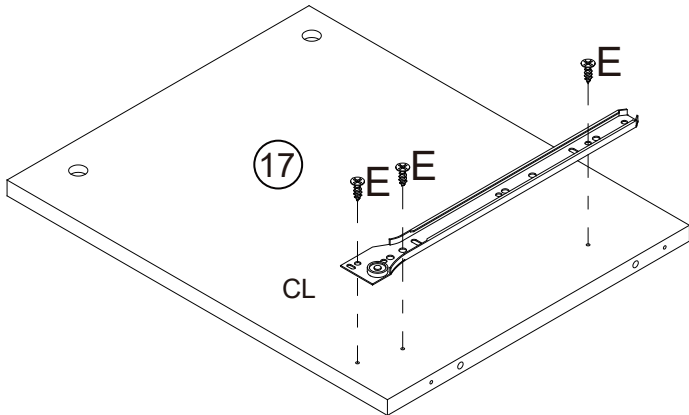
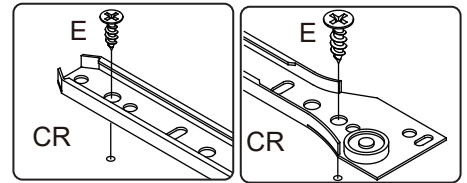
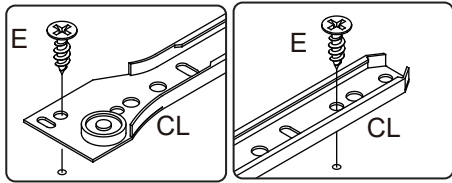


## Step 16



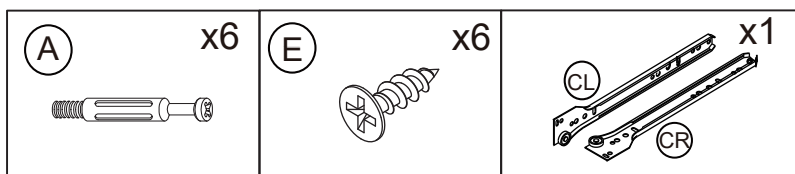
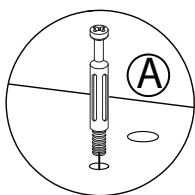
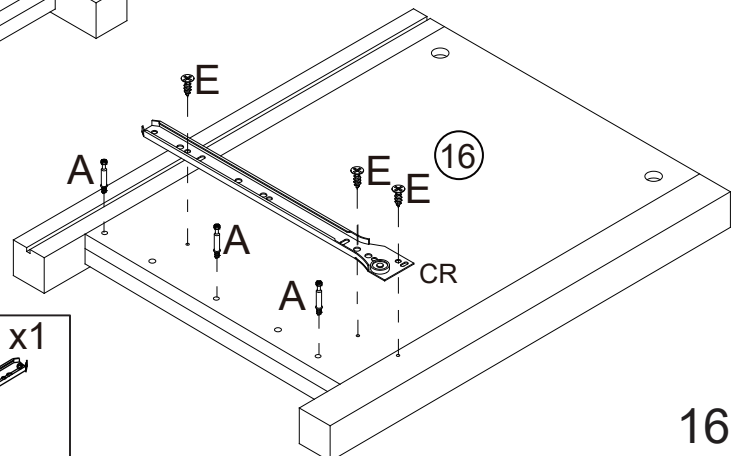
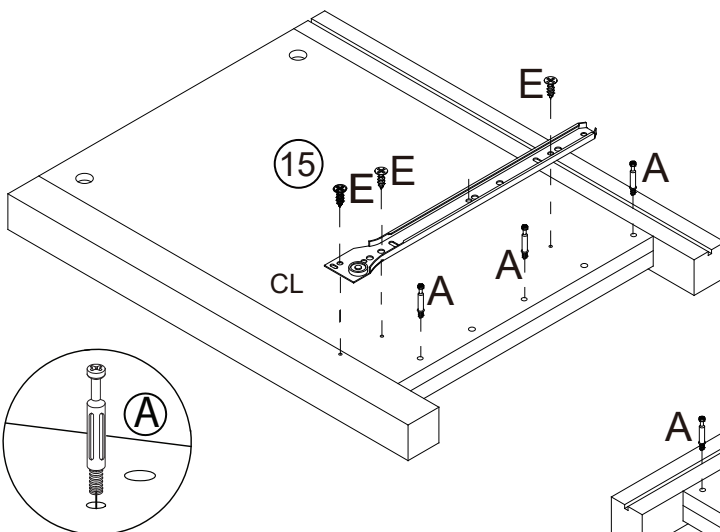
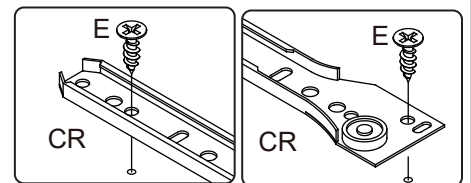
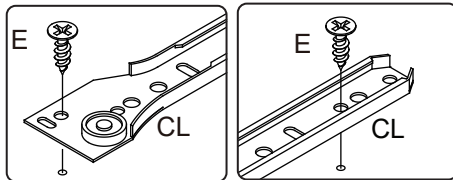
# Assembly Instructions

## Step 17



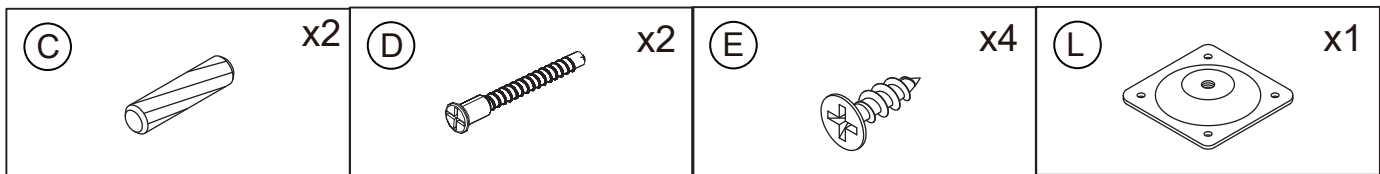
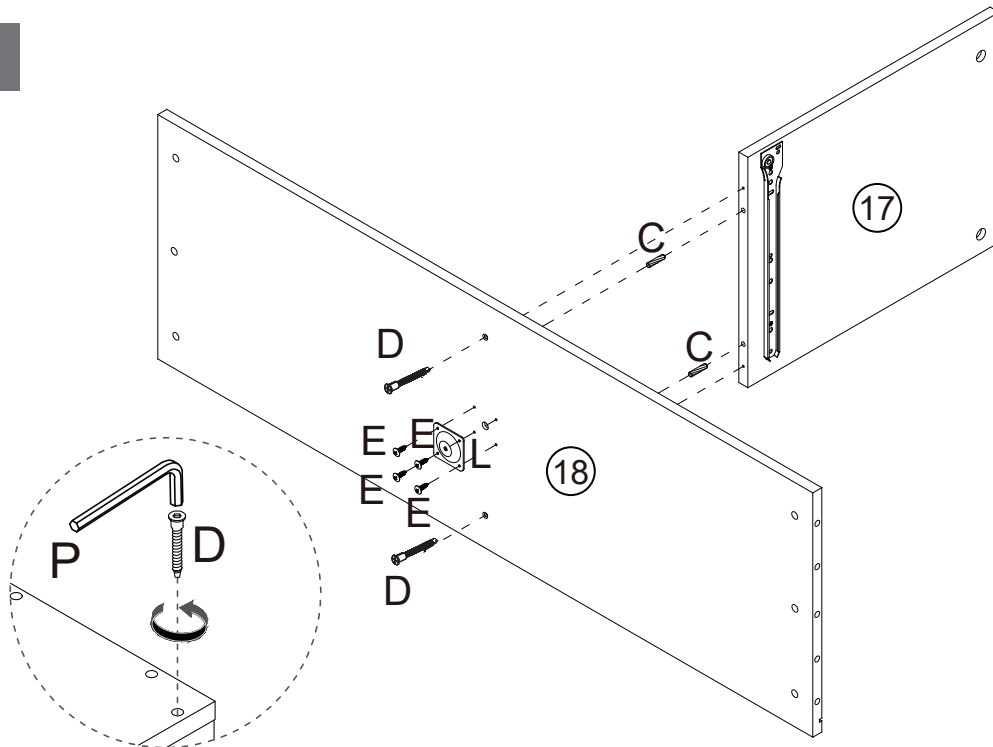
Both sides of board#17 need to be installed in this step

## Step 18

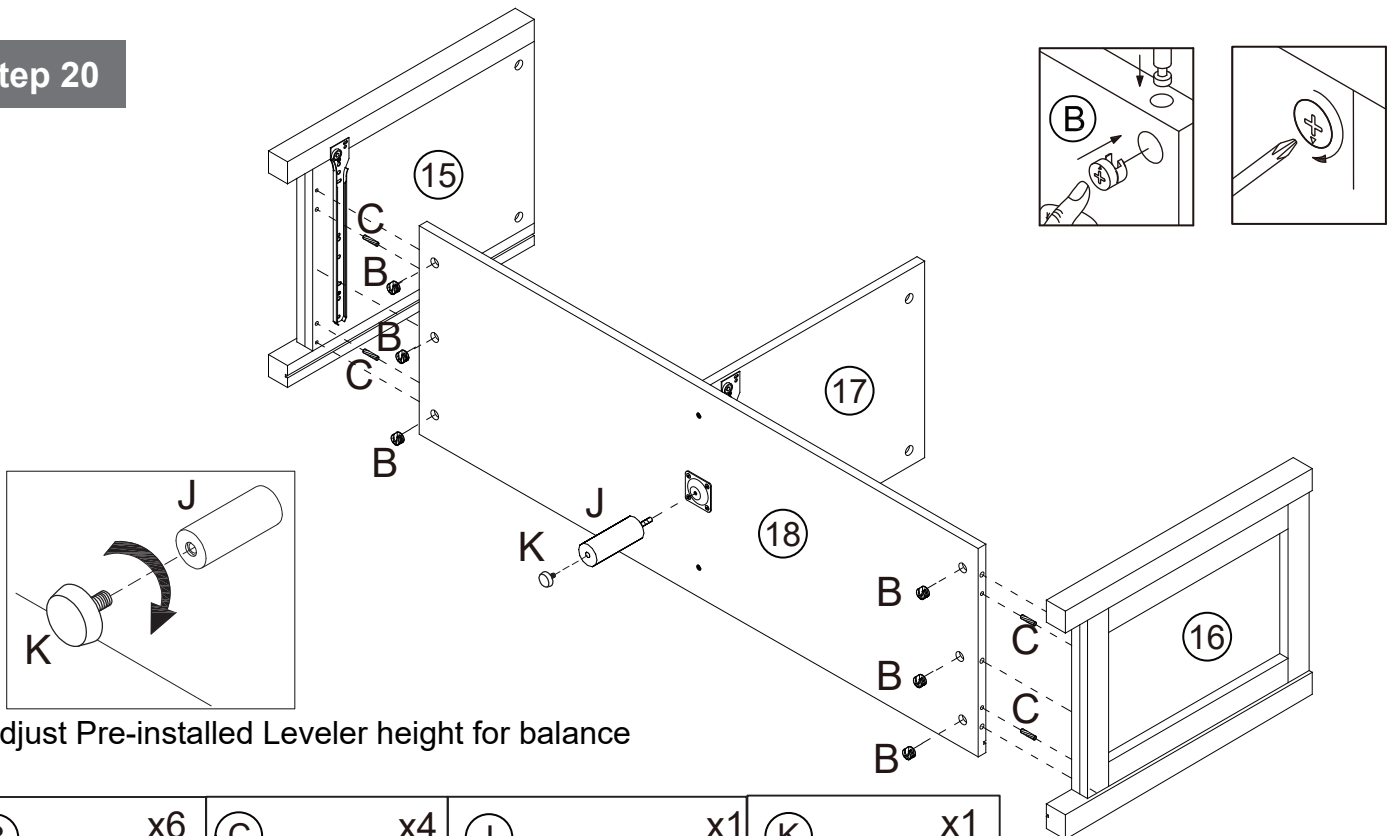


# Assembly Instructions

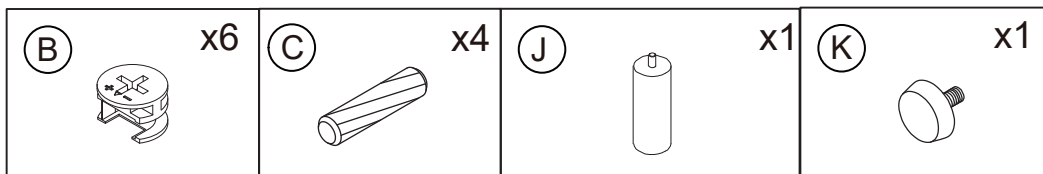
## Step 19



## Step 20

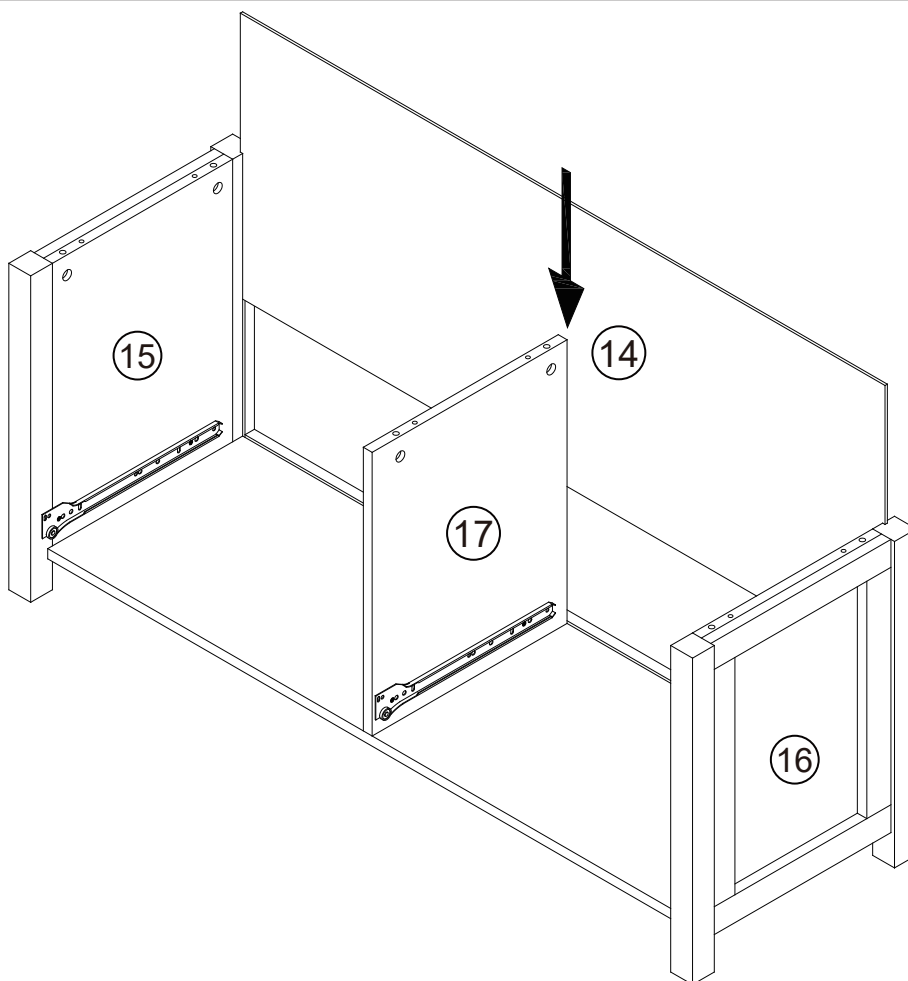


Adjust Pre-installed Leveler height for balance

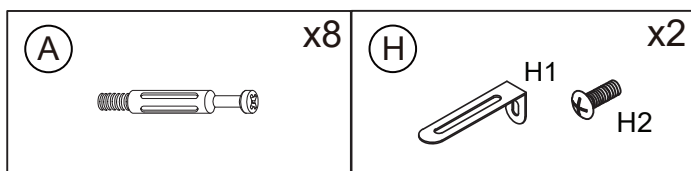
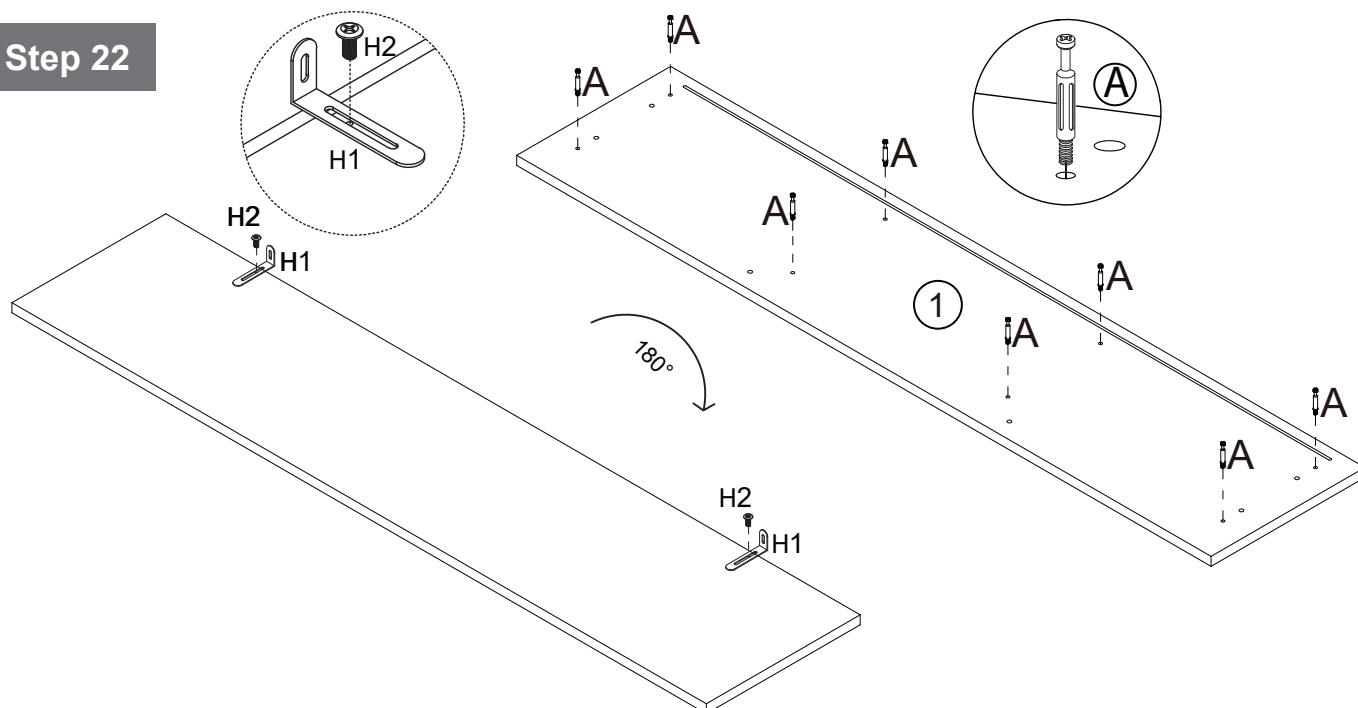


# Assembly Instructions

## Step 21

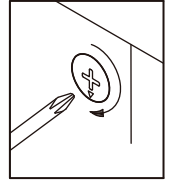
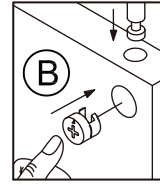
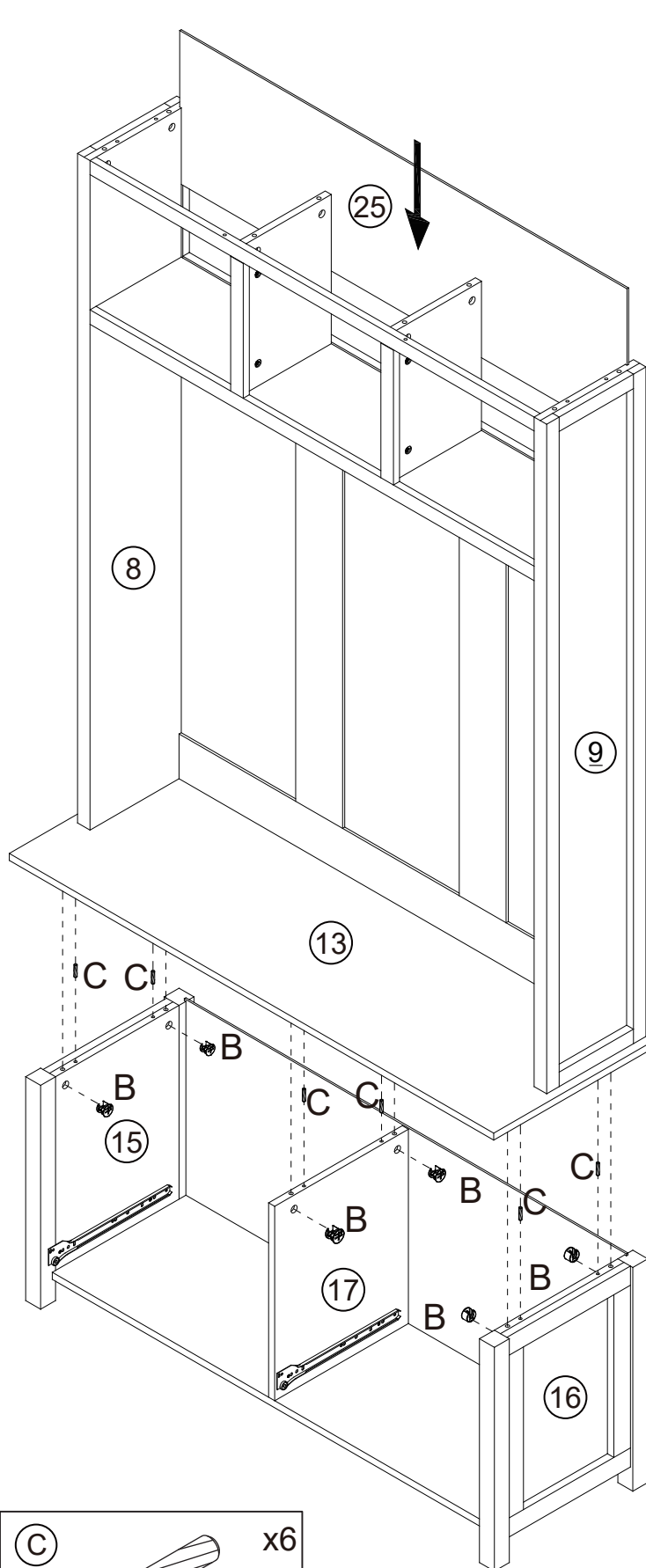



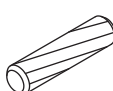
## Step 22



# Assembly Instructions

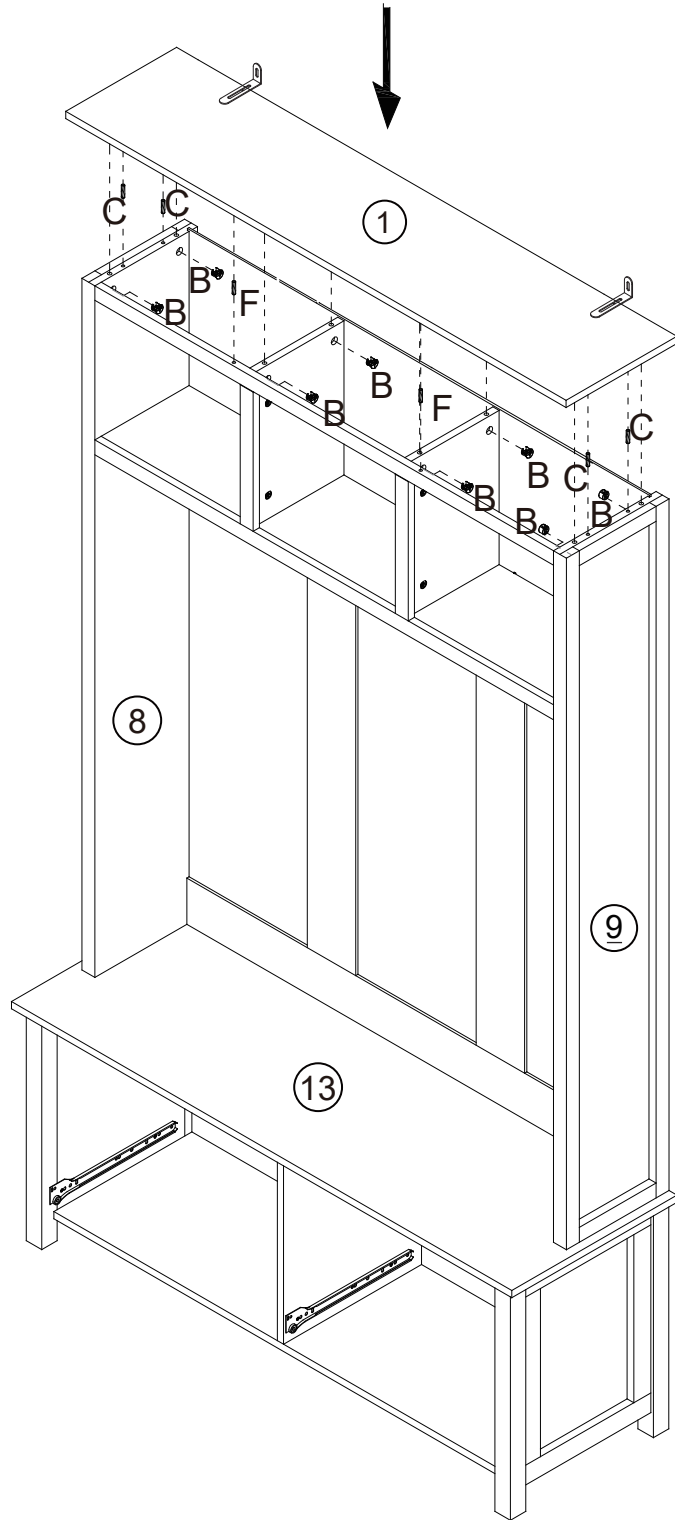
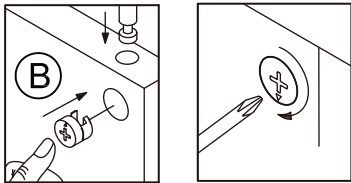
## Step 23


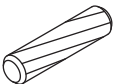
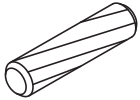


<p>(B)</p>  <p>x6</p>	<p>(C)</p>  <p>x6</p>
--	--

# Assembly Instructions

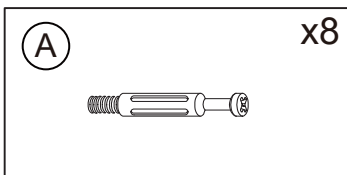
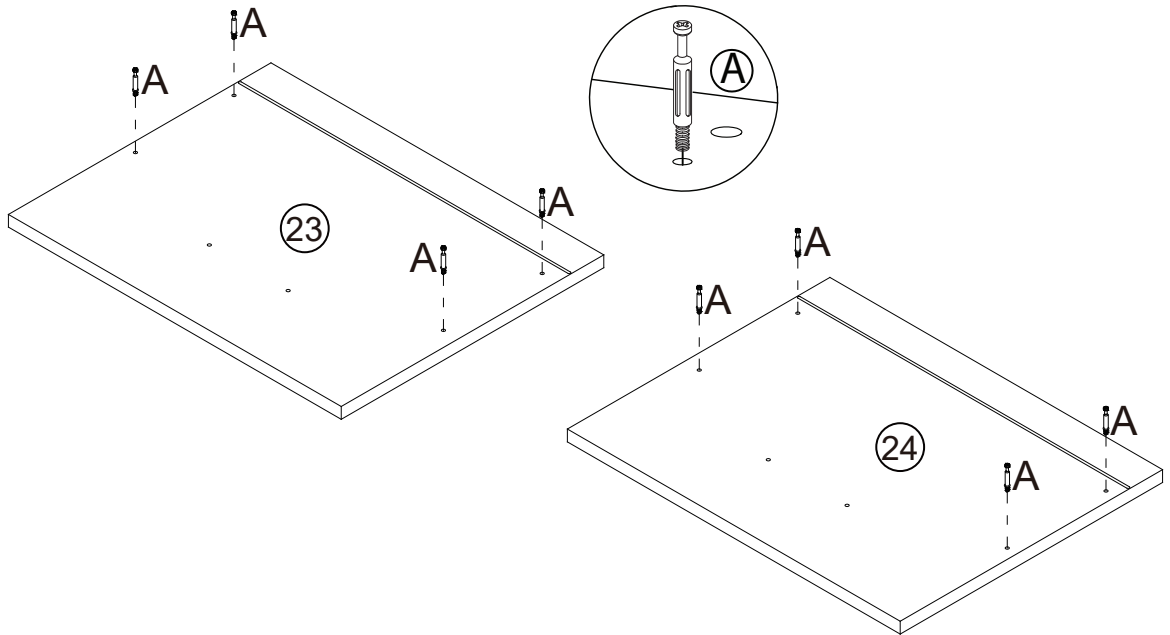
## Step 24



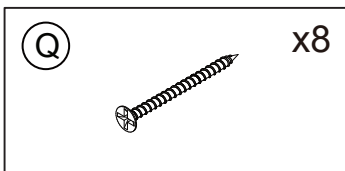
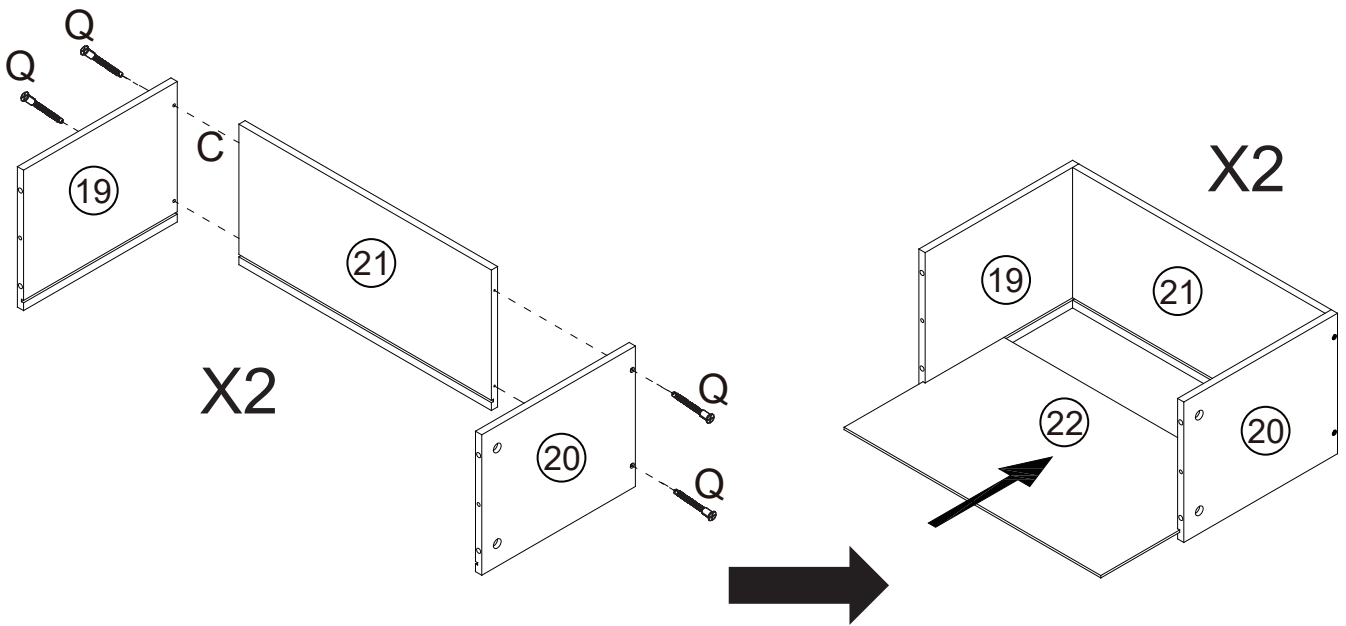
<b>(B)</b>		x8	<b>(F)</b>		x2	<b>(C)</b>		x4
------------	---	----	------------	---	----	------------	--	----

# Assembly Instructions

## Step 25

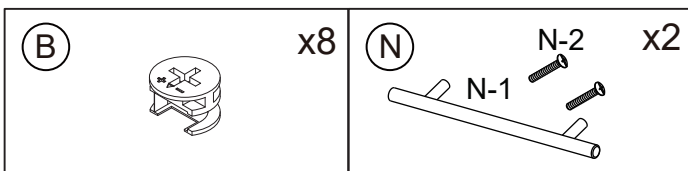
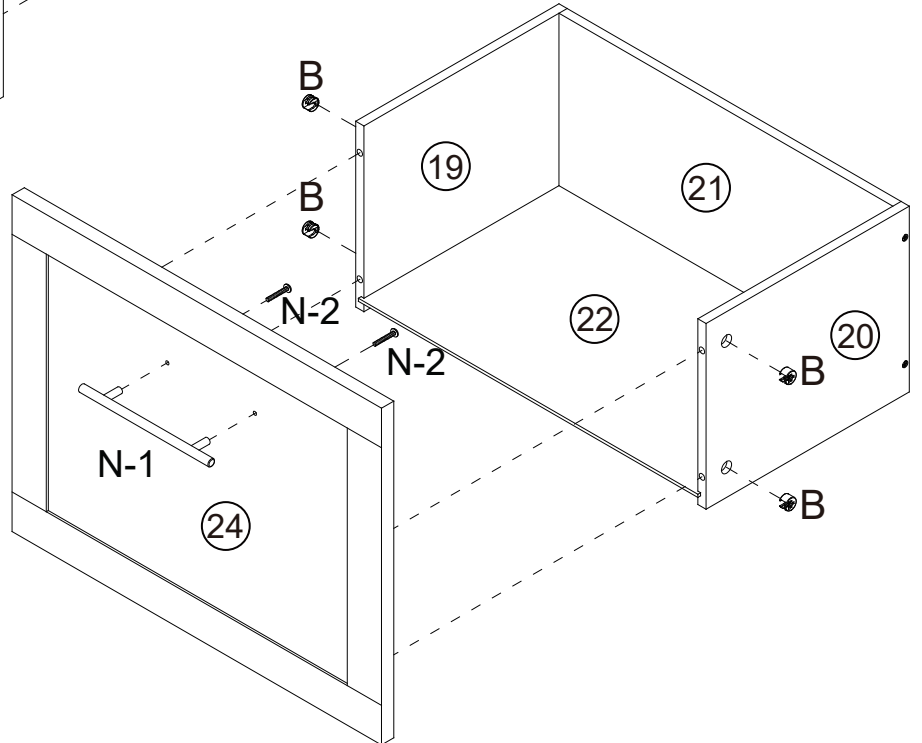
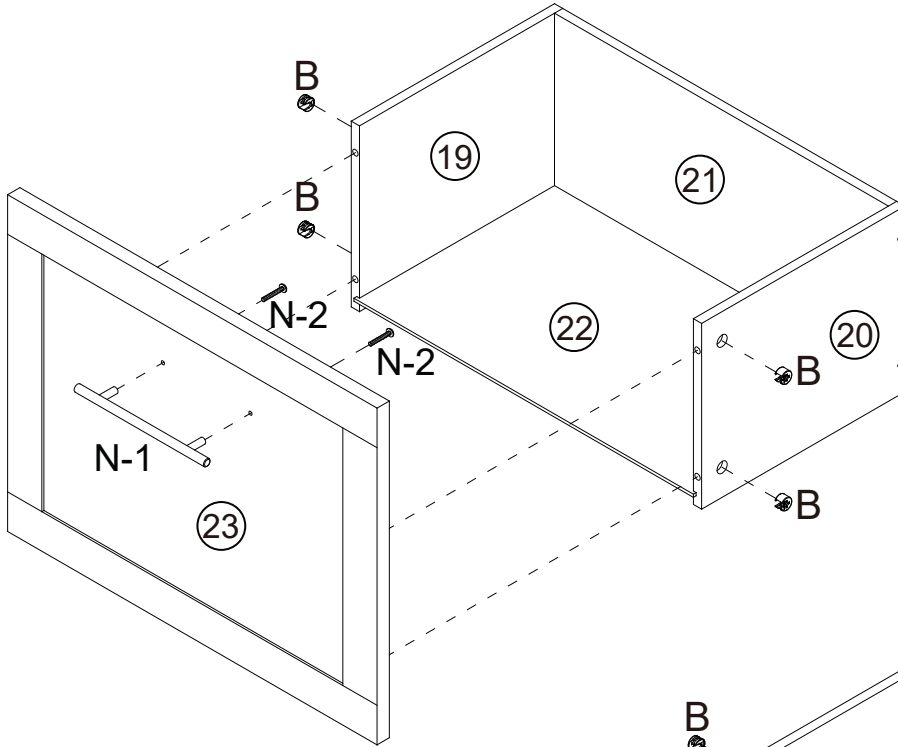
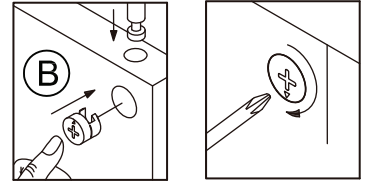


## Step 26



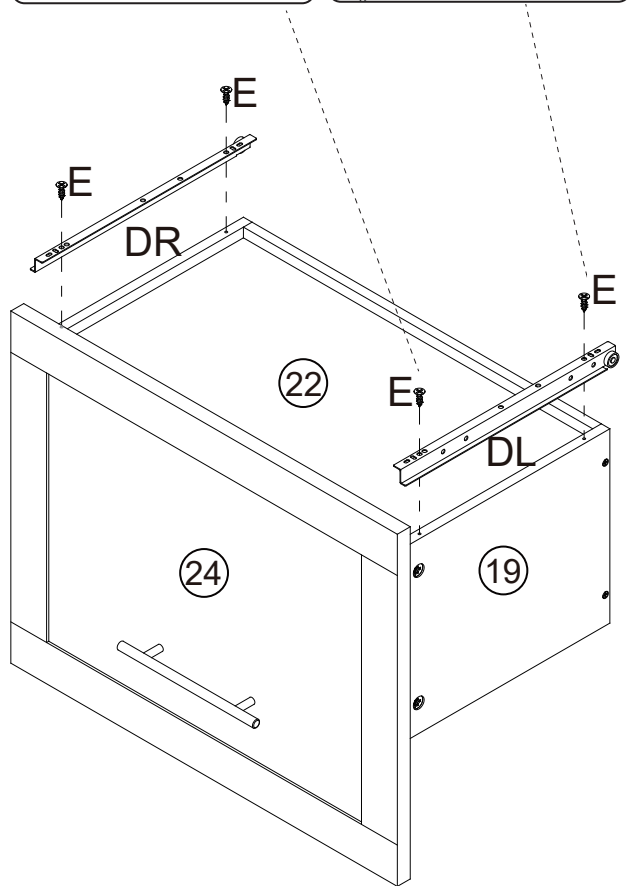
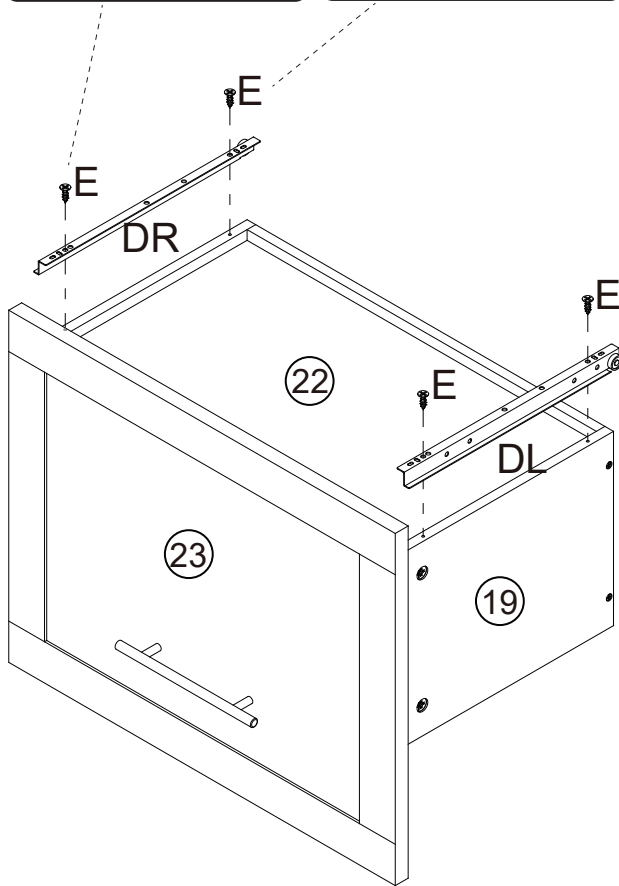
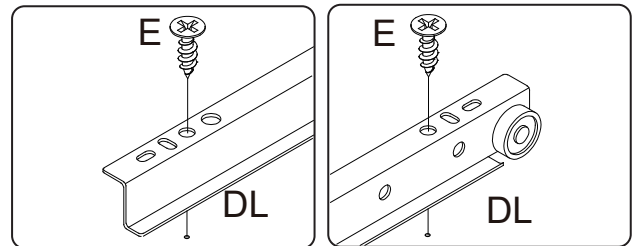
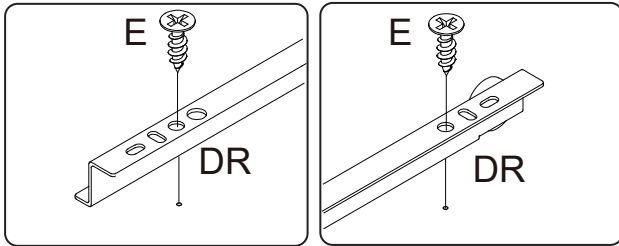
# Assembly Instructions


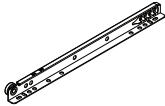
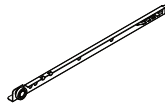
## Step 27



# Assembly Instructions

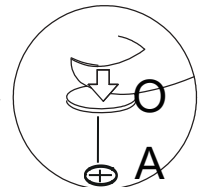
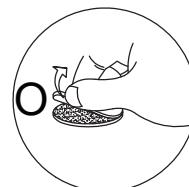
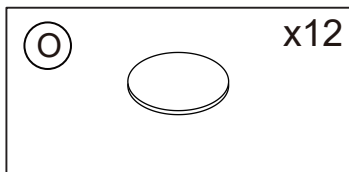
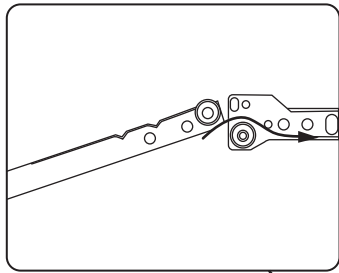
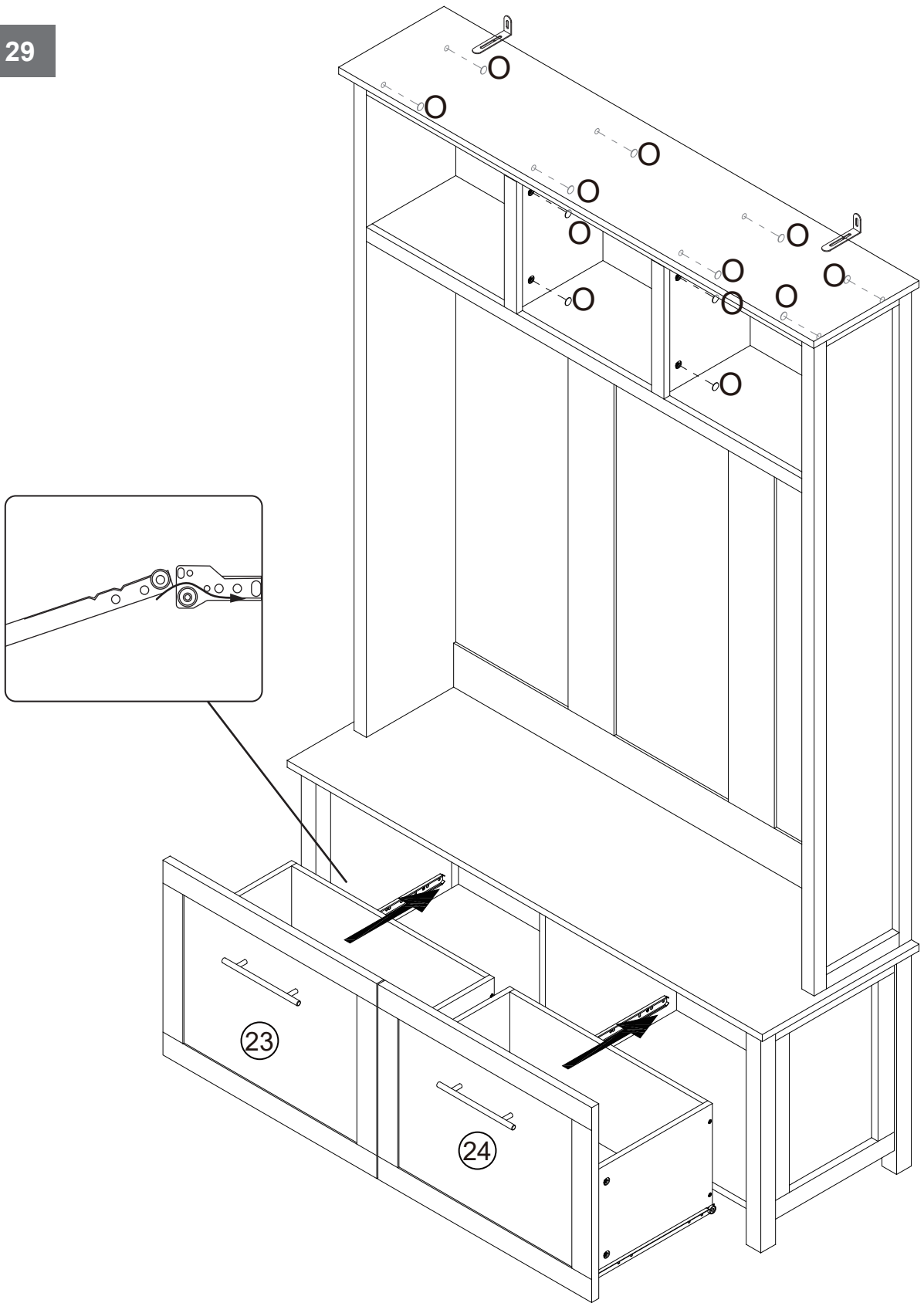
## Step 28



 <b>E</b>	x8	 <b>DR</b>	 <b>DL</b>
		Runner 300mm x 2	Runner 300mm x 2

# Assembly Instructions

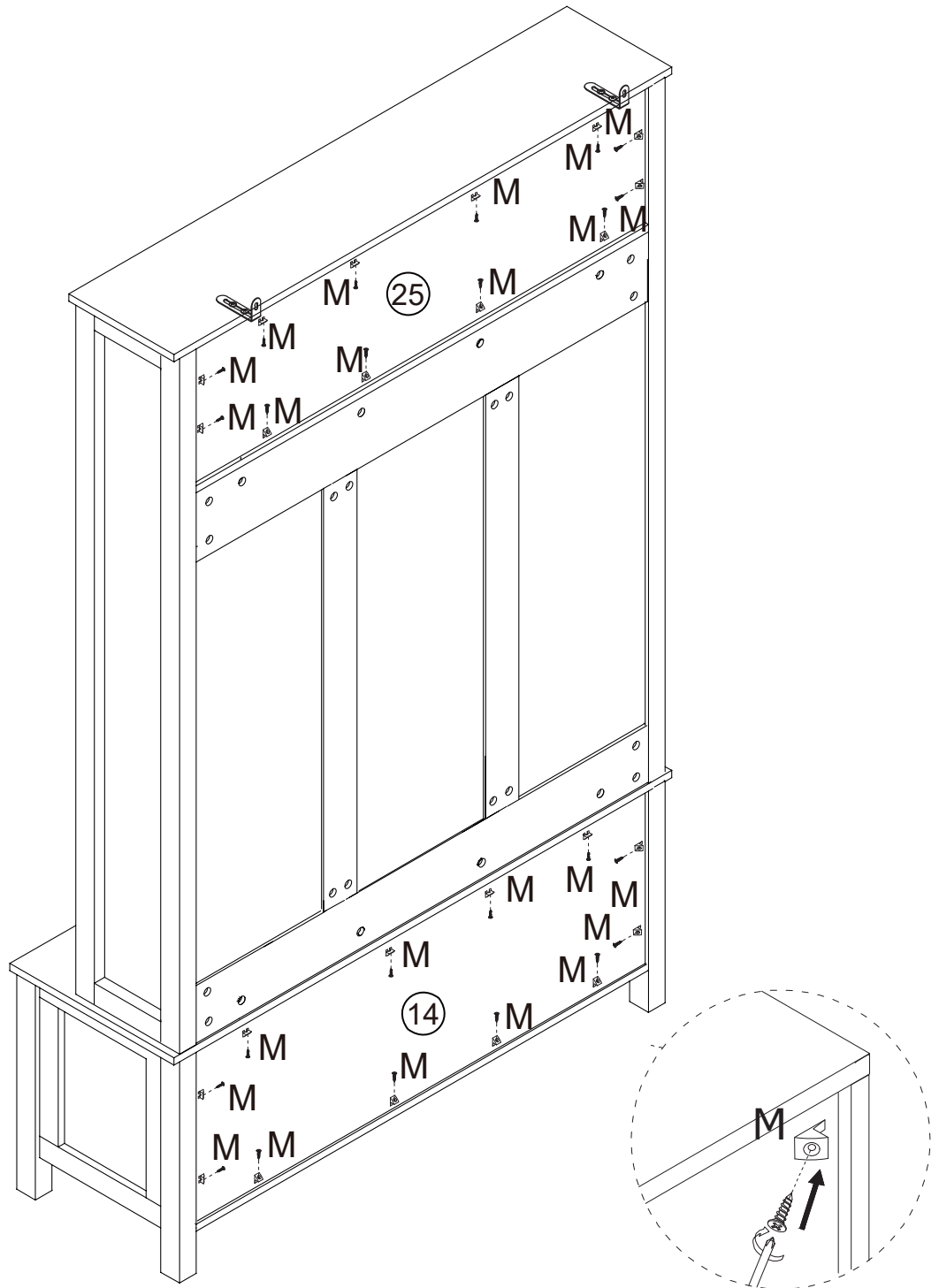
## Step 29



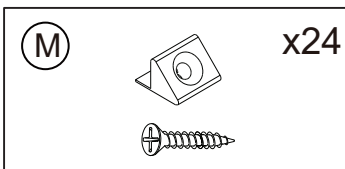
Please stick the hardware "O" on the exposed cam lock hole that makes your product more beautiful.

# Assembly Instructions

## Step 30

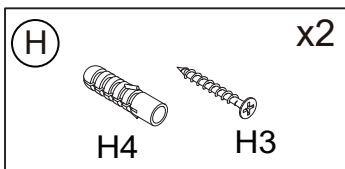
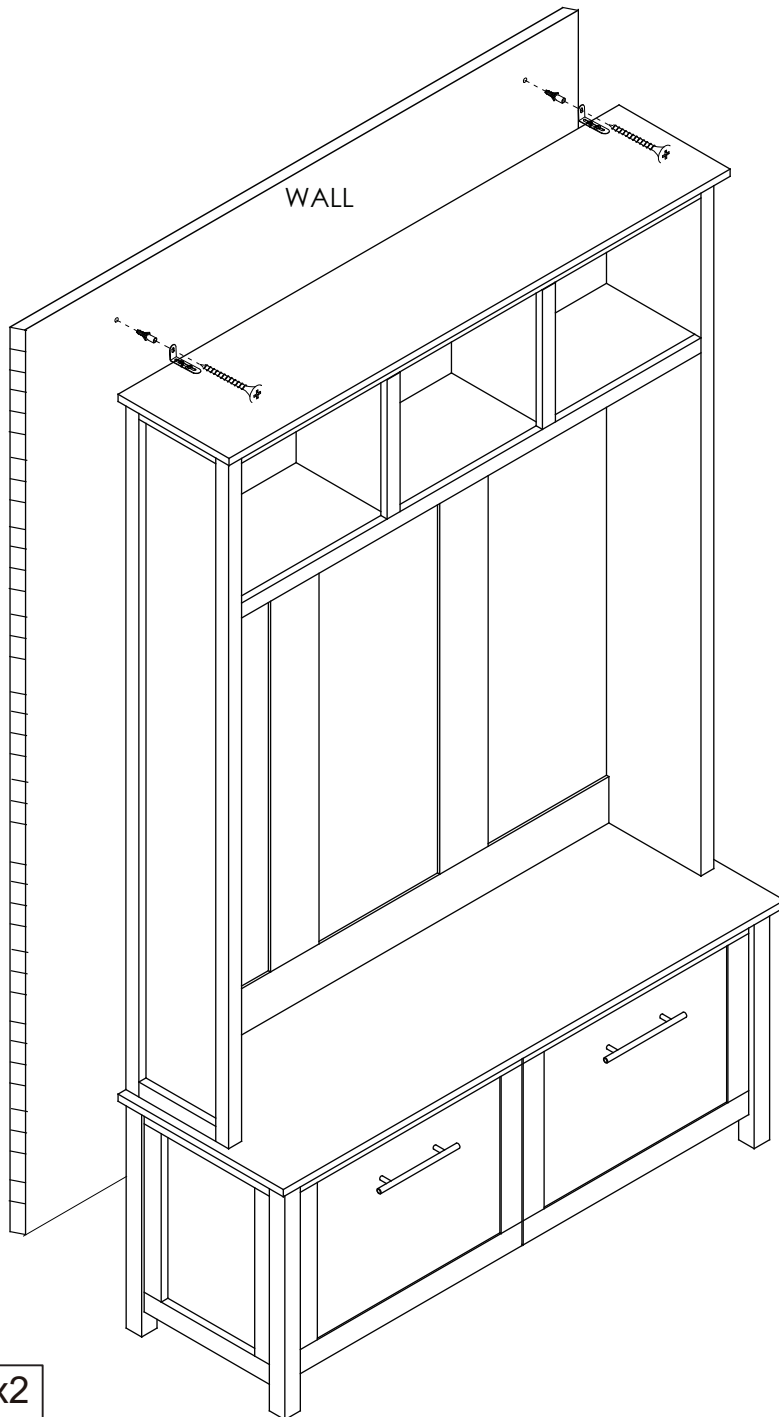
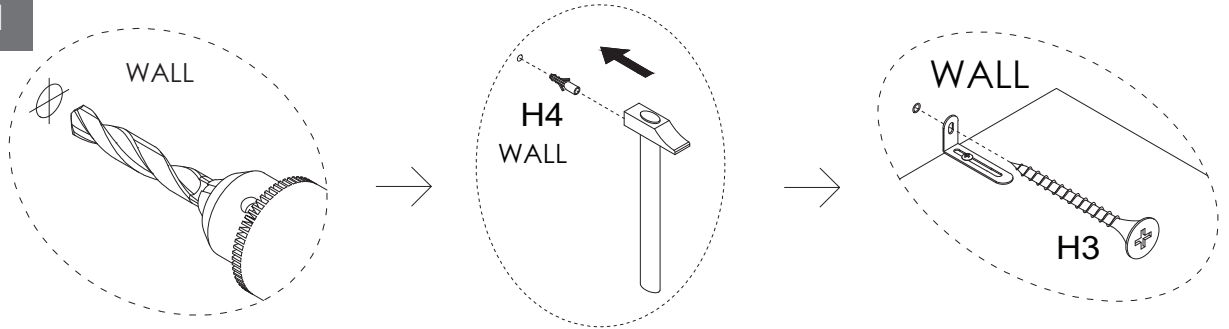


As the picture shows,  
Fix hardware "M" into the gap with screws  
to make the back panel more stable.



# Assembly Instructions

## Step 31



# Assembly Instructions

## Step 32

