

WARNING!!

Children have died from furniture tipover. Tip restraints have been included with this product; you must install the tip restraints according to these instructions in order to minimize the risk of furniture tipping.

NEVER allow children to climb or hang on furniture, including drawers or cabinet doors.

In addition to installing the restrains, to help prevent tip-over

1. **NEVER** put a TV or other heavy objects on top of this product".
2. Do not stand on the product

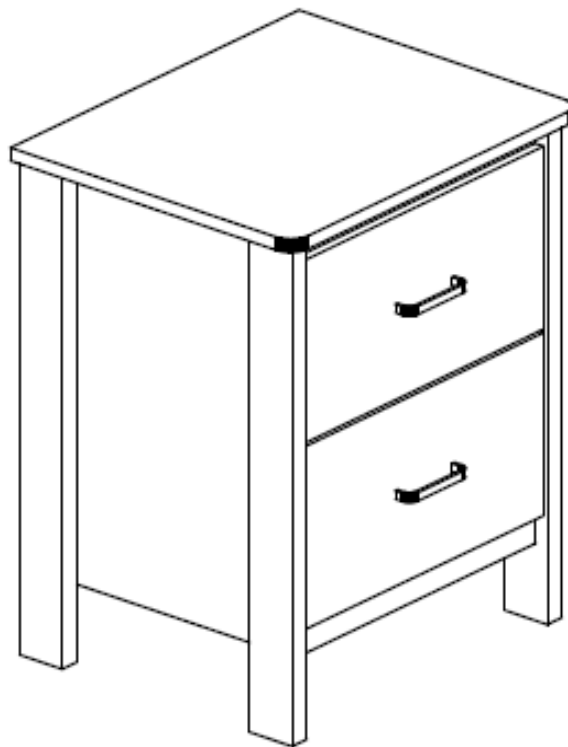
⚠ WARNING	
	<p>Children have died from furniture tipover. To reduce the risk of furniture tipover:</p> <ul style="list-style-type: none">• ALWAYS install tipover restraint provided.• NEVER put a TV on this product.• NEVER allow children to stand, climb or hang on drawers, doors, or shelves.• NEVER open more than one drawer at a time.• Place heaviest items in the lowest drawers.• Do not defeat or remove the drawer interlock system.
	<p><i>This is a permanent label. Do not remove!</i></p>

Assembly Instructions

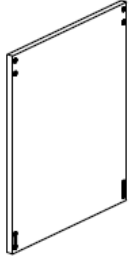
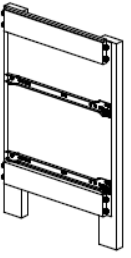
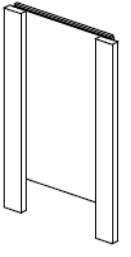

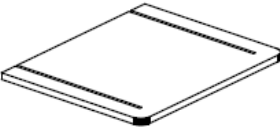
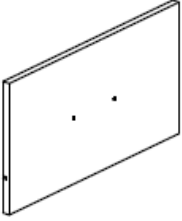

Caution : You must read this before you proceed


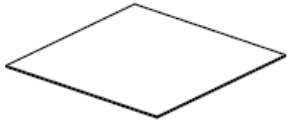
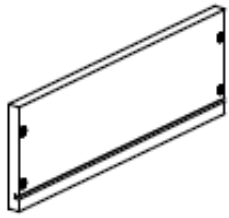

Sets often ship in multiple boxes and may arrive a day or two apart.

Night Stand





Parts List

Label	Picture	Description	QTY
A	 A rectangular panel with a slightly raised top edge and a small notch at the bottom center.	Back Panel	1
B	 A vertical panel with a top rail, a middle rail, and a bottom rail, all connected by a central vertical support.	Side Panel (R)	1
C	 A vertical panel with a top rail and a bottom rail, connected by a central vertical support.	Side Panel (L)	1
D	 A long, thin, rectangular panel with a slightly raised top edge.	Apron	2
E	 A rectangular panel with a slightly raised top edge and a small notch at the bottom center.	Top Panel	1
F	 A rectangular panel with two small circular holes near the bottom center.	Drawer Front	2
G	 A long, thin, rectangular panel with a slightly raised top edge.	Drawer Side (R)	2

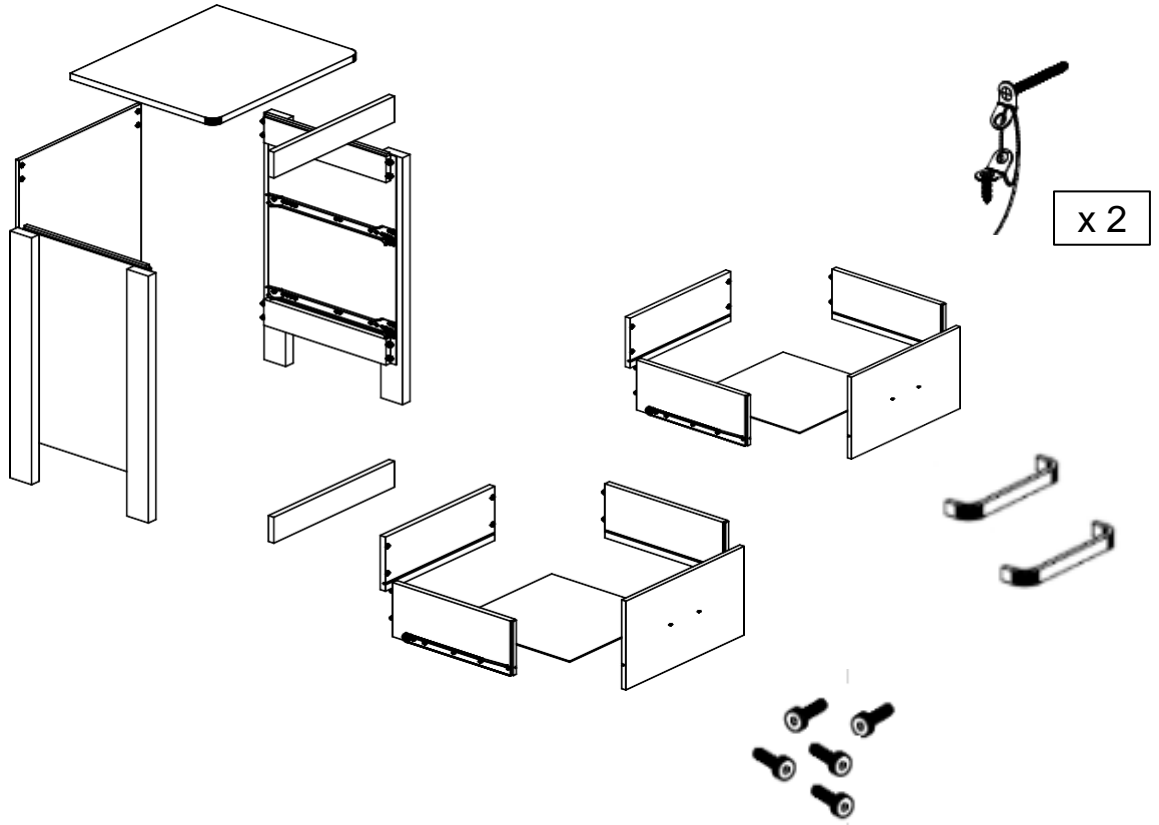
H		Drawer Side (L)	2
I		Drawer Base	2
J		Drawer Back	2
K		Handle	2

Hardware

Label	Picture	Description	QTY
①		Anti Tipping	2 Sets
②		Bolt (M4x16mm)	5 Pcs

Assembly Preparation

Before Beginning Assembly:



- Read instructions, cover to cover-



- Have 2 adults on hand for assembly-



- Do not assemble on flooring or carpet-



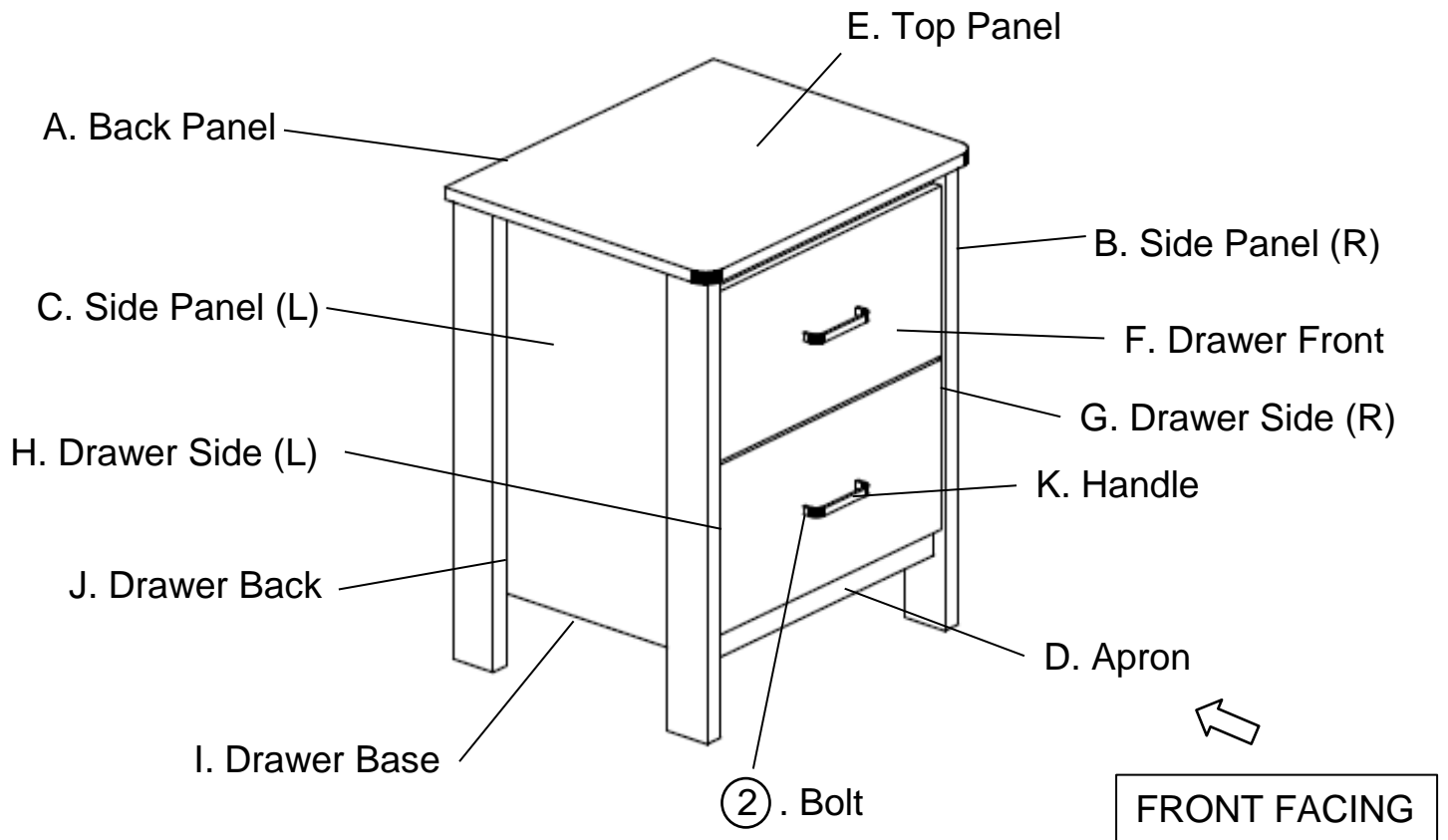
- Assemble on a clean non-marring surface (packing foam)-



- Save all packaging until finished-

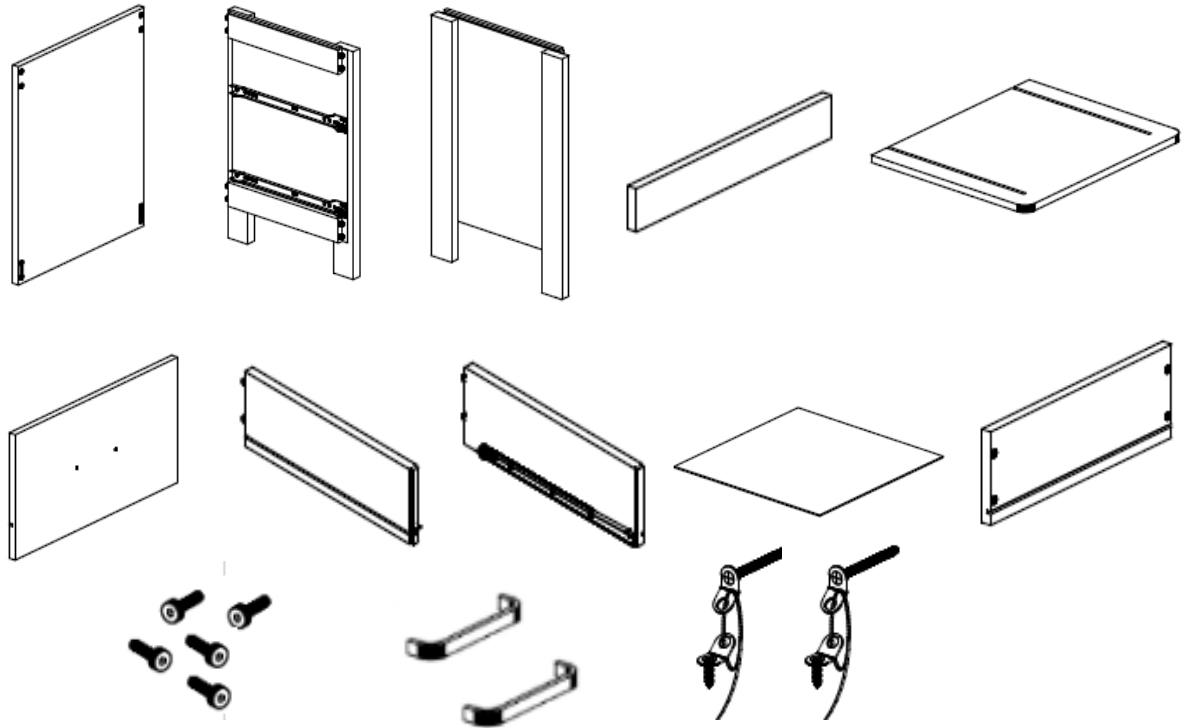
Assembly Steps

Overview



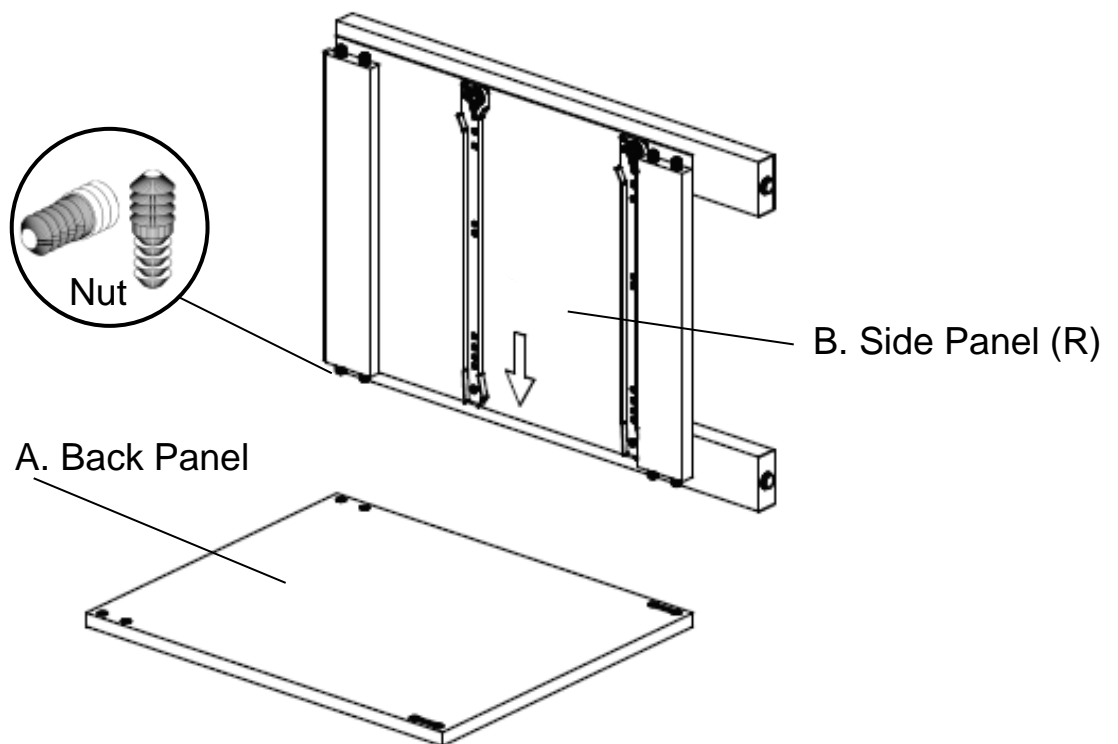
This Night Stand Cabinet has multiple parts and may require up to 20 minutes to assemble. To give an overview on the Night Stand parts, the above picture is to help you put the various parts into perspective. Please read through the instructions below to familiarise yourself with the parts and steps before assembly.

Step 1



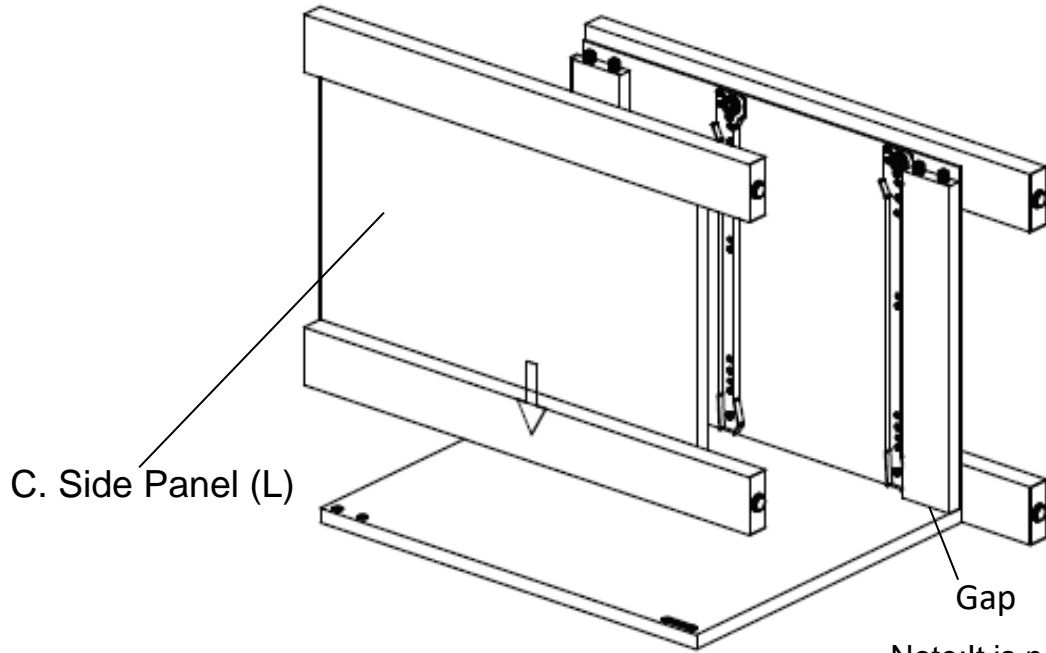
Unpack and place all parts on a clean, non-marring surface. Before starting the assembly work, make sure the surface is clean and soft to avoid scratches or damage.

Step 2



Place the A. Back Panel face down, then insert the B. Side Panel (R) directly into the mounting position.

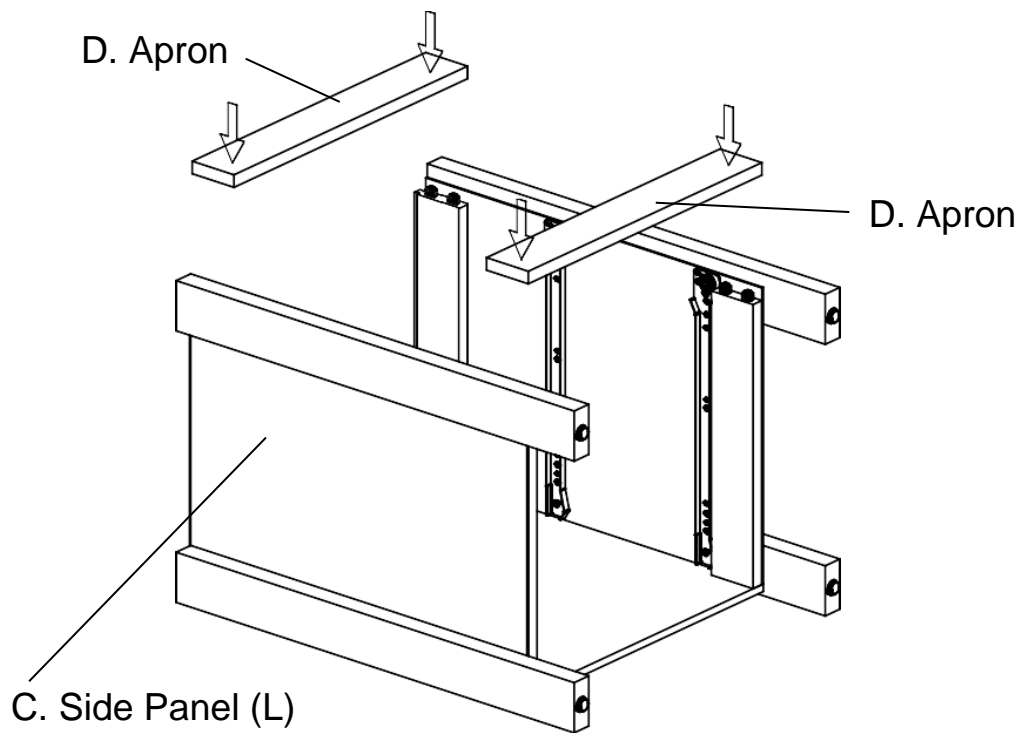
Step 3



Note: It is normal if the panel has a gap.

For each step, Align the compress fit locking dowels with the corresponding receptor holes, then push them firmly into the final locked position, please note once locked, these will not come back apart without potential damage

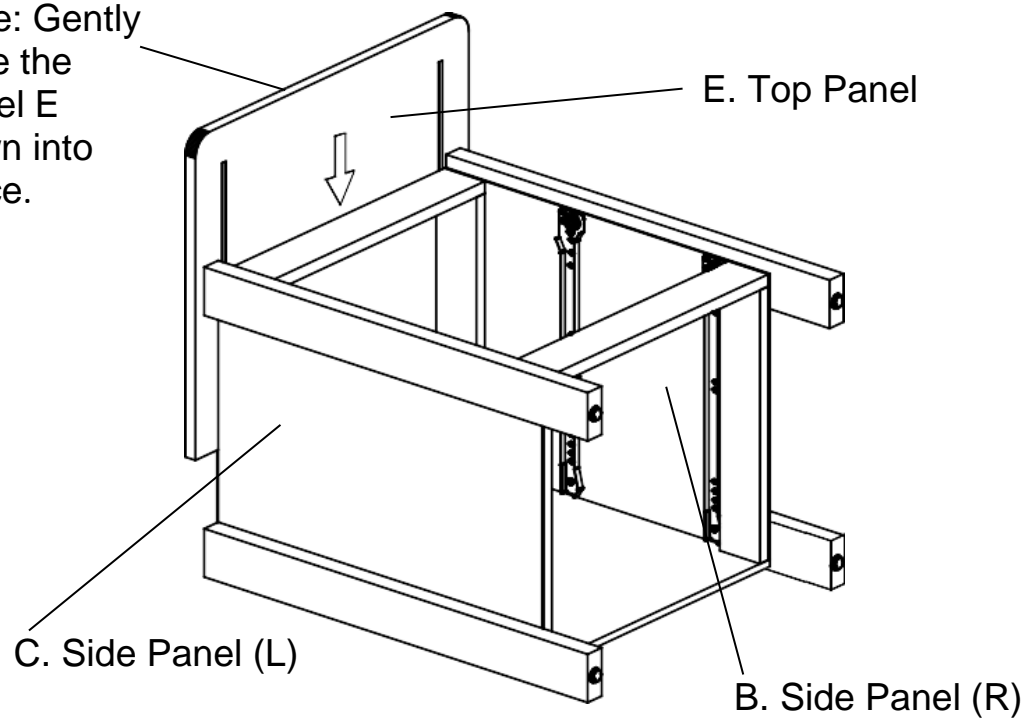
Step 4



Repeat the step C. Side Panel (L) for the panel D. Apron assembly as shown

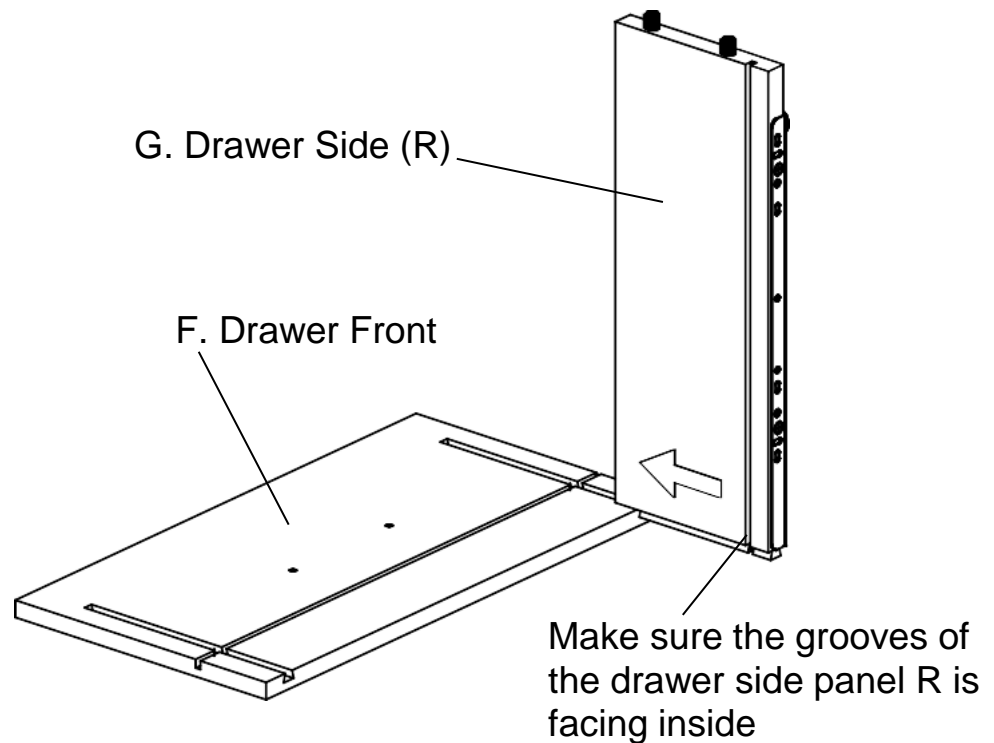
Step 5

Note: Gently slide the panel E down into place.



Align the dovetails on E. Top Panel with the grooves on the B. Side Panel (R), and C. Side Panel (L) and gently slide the E. Top Panel into position

Step 6

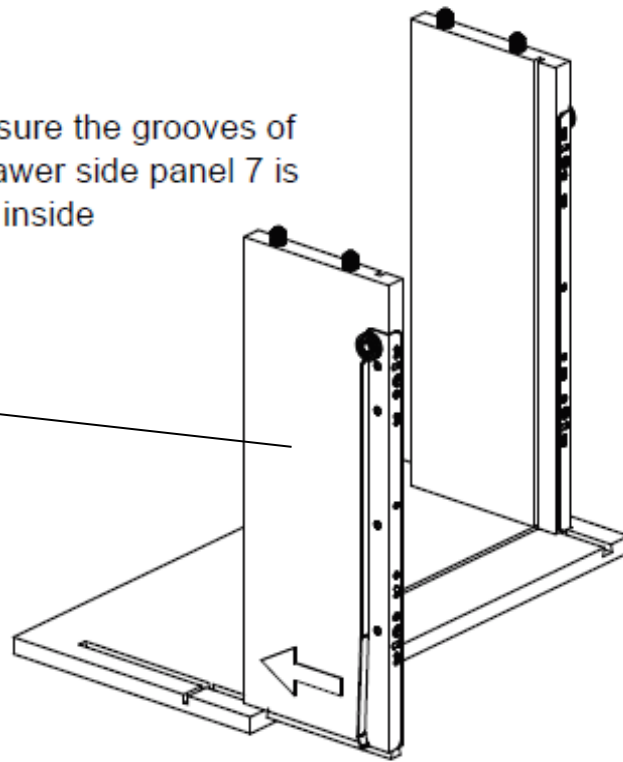


Align the dovetails on parts G. Drawer Side (R) with the grooves on the part Drawer Front (F) and gently slide it into position

Step 7

Make sure the grooves of the drawer side panel 7 is facing inside

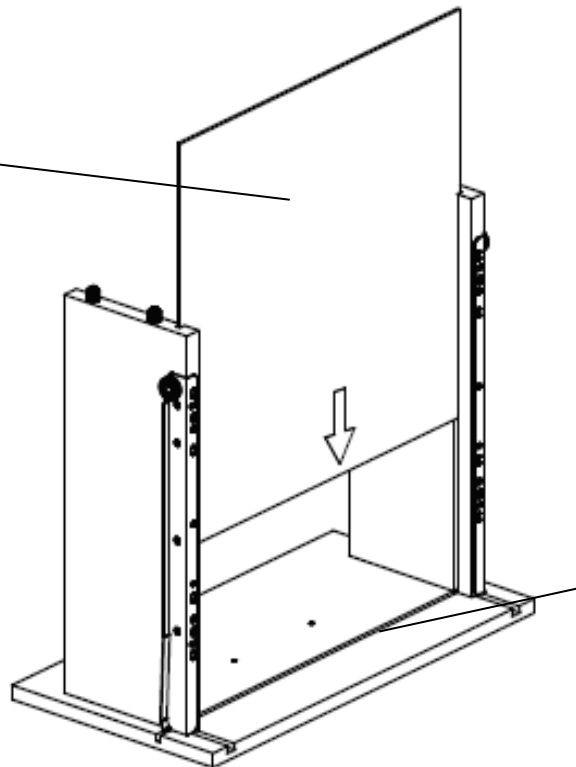
H. Drawer Side (L)



Make sure the grooves of the drawer side panel H. Drawer Side (L) is facing inside

Step 8

I. Drawer Base



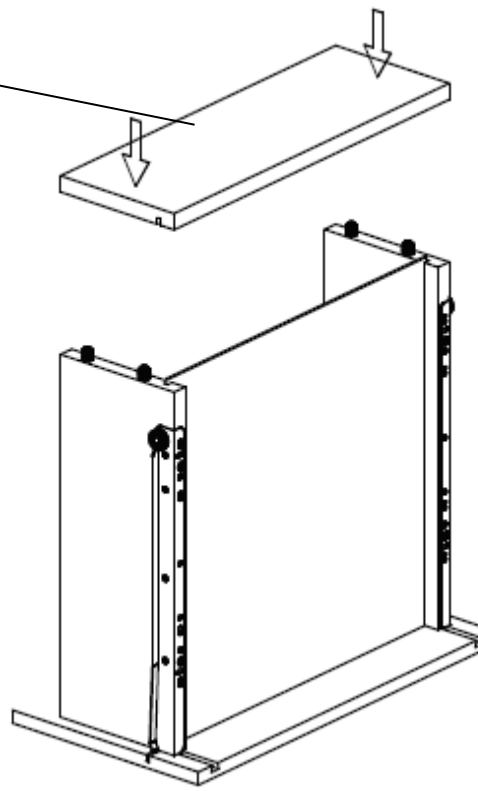
Make Sure Part I insert into the grooves of Drawer Front

Ensure the proper position of the grooves of the drawer sides and the drawer front as shown above, then slide the panel I. Drawer Base into the place

Step 9

J. Drawer Back

Make sure the part J is insert into the grooves of Drawer Front

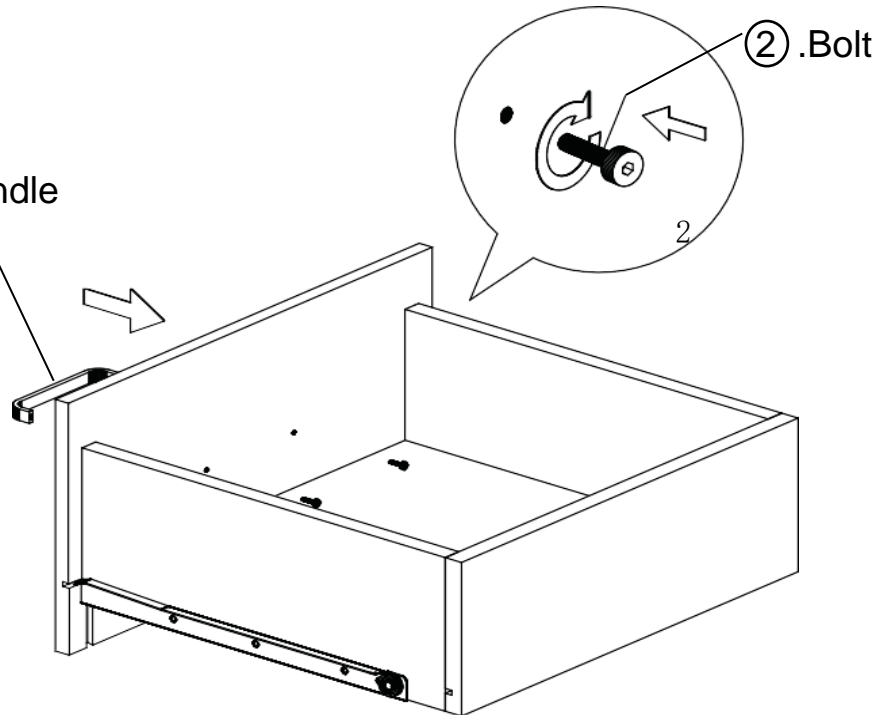


Align the back panel groove on panel J with the back panel, then press firmly on all 4 corners and compress fit panel J to panels G and H.

Use the same compress fit locking style for the panel J. Drawer Back assembly as in step 3, as shown above. Push the Drawer Back Panel, into the locked positions.

Step 10

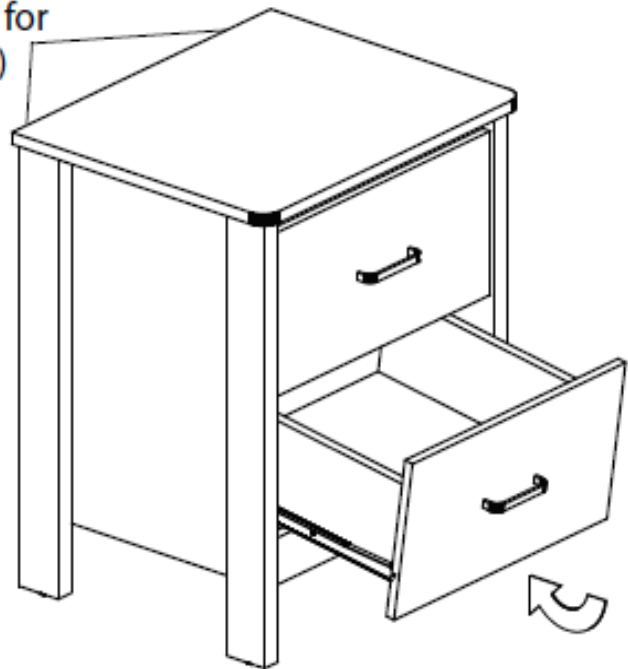
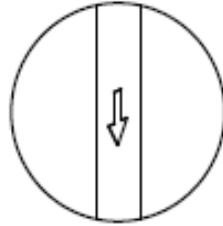
K. Handle



Use your hand to tighten the Bolt ② with the K. Handle until finished, as shown above.

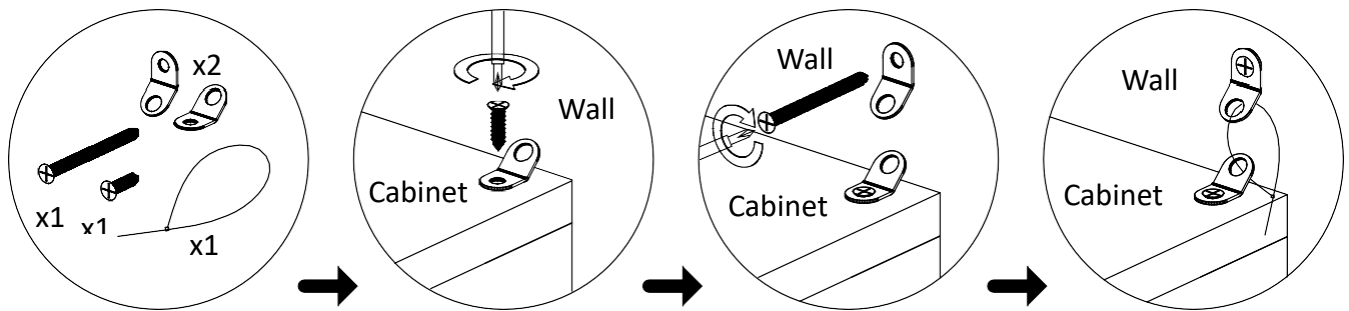
Step 11

The sticker marking is for Anti Tipping Bracket (b) position (Estimate 2" from the below top panel)



*The drawer with the warning label sticker is only put on the top

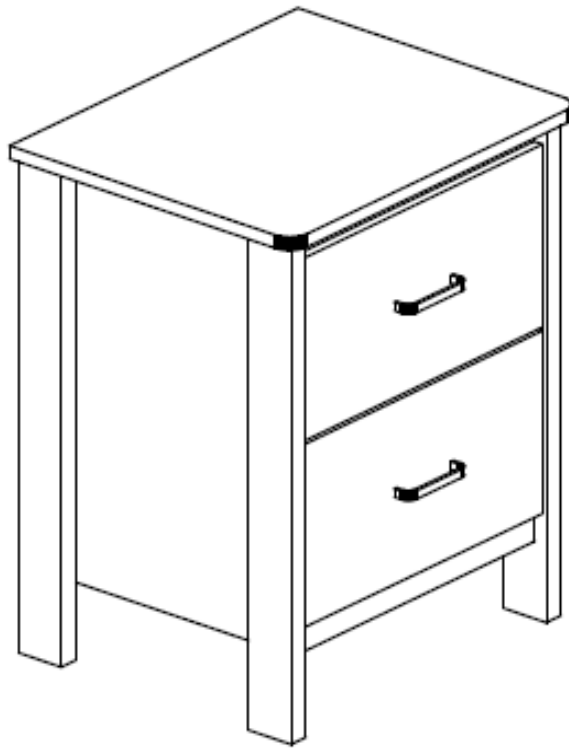
Tilt the completed drawer slightly to align the rail wheels with the fixed side rails, then slide them into place.



Installation Instruction:

This tip restraint must be attached to a wall stud using the 2" screw enclosed.

1. Attach a bracket securely to the back top rail of the furniture using the 5/8" screw provided, through the smaller hole.
2. Locate the other bracket on the wall over a wall stud and 2 inches below the mounting bracket secured to the back of your unit. Attach to the wall stud using the 2" screw provided, though the smaller hole.
3. Place the furniture into position so both mounting brackets are vertically in line.
4. Lace the end of the restraint strap through the larger hole in each mounting bracket. Bring both ends together and slide the flat end through the locking end and draw it through until all slack is removed.
5. Confirm that the strap is securely laced and locked.



Your Night Stand is ready for use.

This Night Stand should only be used on a flat, level surface.

Care & Maintenance



- Furniture may scratch floor. We recommend using furniture pads to protect your floors



- Do not put hot items directly on furniture surface.



- Do not clean furniture with harsh cleansers or polish.



- Do not place furniture under direct sunlight.



- Do not place furniture near heating or cooling vents.



- Do not write on furniture without a padded barrier to protect the surface.



- Do not place furniture outside . For indoor use only.



- Not for commercial use. For residential use only.



- Stains may be removed with mild soap solution and damp cloth.



- Children should not climb or jump on the furniture.



- Dust and pick-up spills using a clean, non-colored, lint-free cloth.

Questions & Answers about Proposition 65

- What is Proposition 65?

Proposition 65 requires businesses to provide warnings to Californians about significant exposures to chemicals that cause cancer, birth defects or other reproductive harm. These chemicals can be in the products that Californians purchase, in their homes or workplaces, or that are released into the environment. By requiring that this information be provided, Proposition 65 enables Californians to make informed decisions about their exposures to these chemicals.

Proposition 65 also prohibits California businesses from knowingly discharging significant amounts of listed chemicals into sources of drinking water.

Proposition 65 requires California to publish a list of chemicals known to cause cancer, birth defects or other reproductive harm. This list, which must be updated at least once a year, has grown to include approximately 900 chemicals since it was first published in 1987.

- What types of chemicals are on the Proposition 65 list?

The list contains a wide range of naturally occurring and synthetic chemicals that include additives or ingredients in pesticides, common household products, food, drugs, dyes, or solvents. Listed chemicals may also be used in manufacturing and construction, or they may be byproducts of chemical processes, such as motor vehicle exhaust.

- What does a warning mean?

If a warning is placed on a product label or posted or distributed at a workplace, a business, or in rental housing, the business issuing the warning is aware or believes that it is exposing individuals to one or more listed chemicals.

By law, a warning must be given for listed chemicals unless the exposure is low enough to pose no significant risk of cancer or is significantly below levels observed to cause birth defects or other reproductive harm.

- Where can I get more information on Proposition 65?

If you have specific questions on the administration or implementation of Proposition 65, you can contact OEHHA's Proposition 65 program at P65.Questions@oehha.ca.gov, or by phone at (916) 445-6900.