




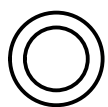
Round Dining Table

Assembly Guide

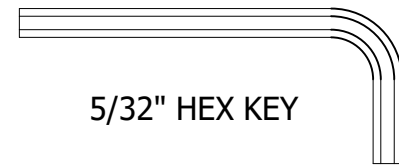


*Actual Style May Vary from the One Pictured in this Guide

HARDWARE INCLUDED

- A  Qty: 4
1/4-20 x 2"
- B  Qty: 4
1/4-20 x 2.5"
- C  Qty: 4
1/4-20 x 5"
- D  2" UMBRELLA GROMMET Qty: 1

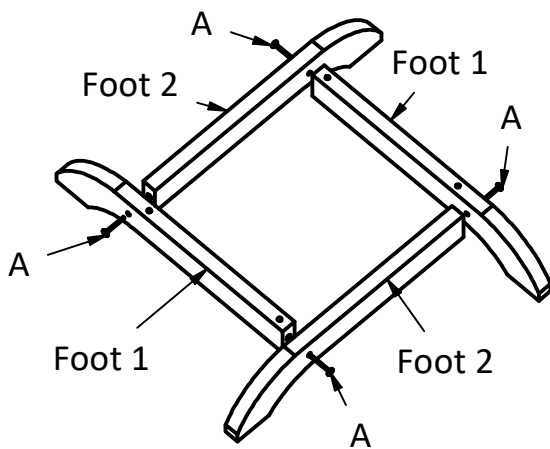
TOOLS INCLUDED



5/32" HEX KEY

IMPORTANT!

DO NOT fully tighten bolts until all bolts are started.



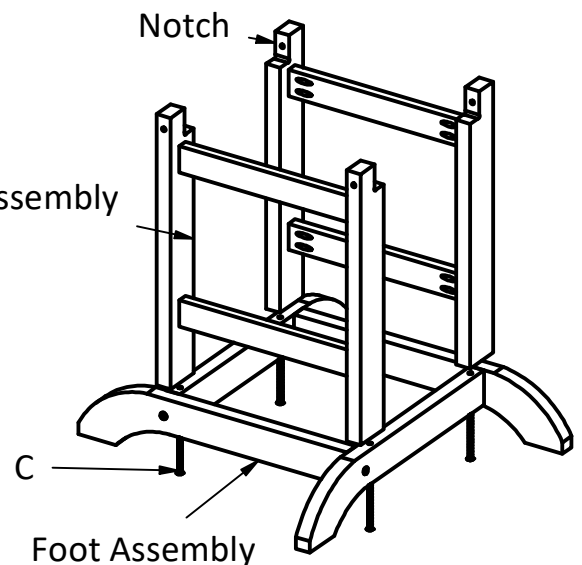
1. Assemble Feet together like the image to the left. This will require (4) A Bolts.

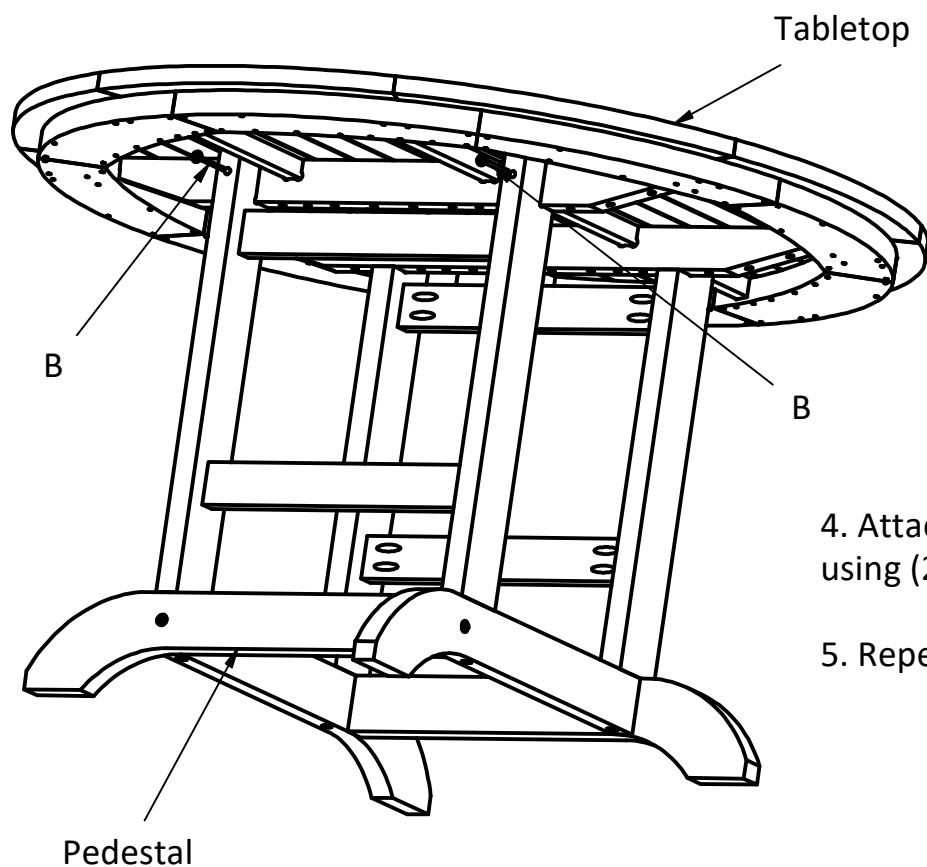
Note: The feet with the extra holes need to be across from each other as shown here.

2. Attach the Leg Assembly to the Foot Assembly using (2) C Bolts.

3. Repeat for the other Leg Assembly.

Note: Make sure the notch in the Leg Assembly is facing in.

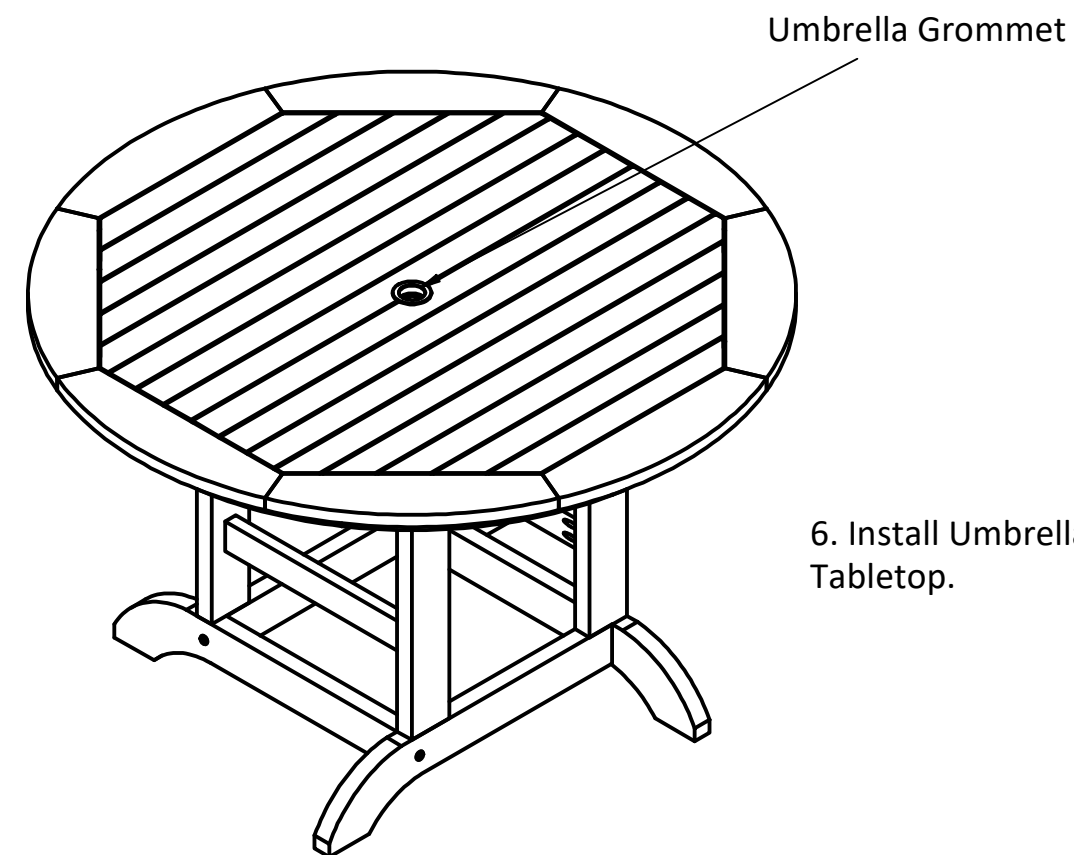




4. Attach the Tabletop to the Pedestal using (2) B Bolts.

5. Repeat on the other side.

Pedestal



6. Install Umbrella Grommet in the Tabletop.