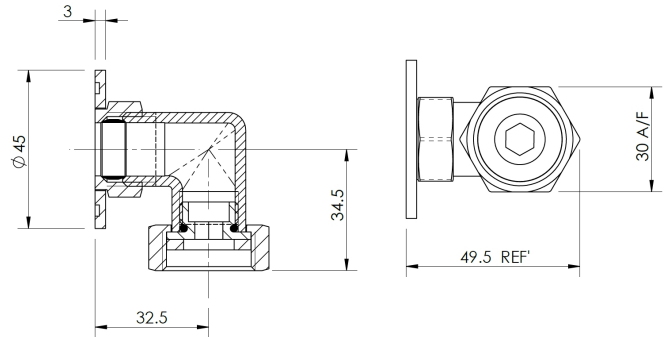


CUSTOMER DATA SHEET - SHOWERS

SALES CODE: VQE001

DESCRIPTION: Wall Return Elbow



PRODUCT DIMENSIONS

Length(mm)	Width (mm)	Height (mm)	Depth (mm)	Nett Wgt Kg
	30	47	40	0.1

PACKAGING DIMENSIONS

Length (mm)	Width (mm)	Depth (mm)	Gross Wgt Kg
90	55	40	0.1

PACKAGING DATA

Box Colour	White Cardboard Box		
Box Qty	1	Label Colour	White Label
Label Size	100 x 50	Label Qty	1

OUTER BOX DIMENSIONS (If Applicable)

Length (mm)	Width (mm)	Height (mm)	Depth (mm)	Gross Wgt Kg
	285	370	215	
Barcode	5055275885390			

PRODUCT DETAILS

Country of Origin	China										
Fitting Instruction	No										
Product Material	Brass										
Mount Type	Not Applicable										
Outlet Elbow Supplied	Not Applicable										
Easy Clean	Not Applicable										
Head Included											
Handset Included											
Body Jets Included											
No of Body Jets	Not Applicable										
Operating Pressure (bar)											
Valve/Cartridge Type	Not Applicable										
Flow Rates (L/min)	0.1 bar	N/A	0.5 bar	N/A	1 bar	N/A	2 bar	N/A	3 bar	N/A	
TMV2 Approved	Not Applicable		Approval No.								
TMV3 Approved	Not Applicable		Approval No.								
WRAS Approved	No		Approval No.								
Head Function											
Handset Function	Not Applicable										
Body Jet Info											
Pipe Size											
Pipe Centres	N/A										
Colour/Finish	Chrome										
Hose Included	Not Applicable										