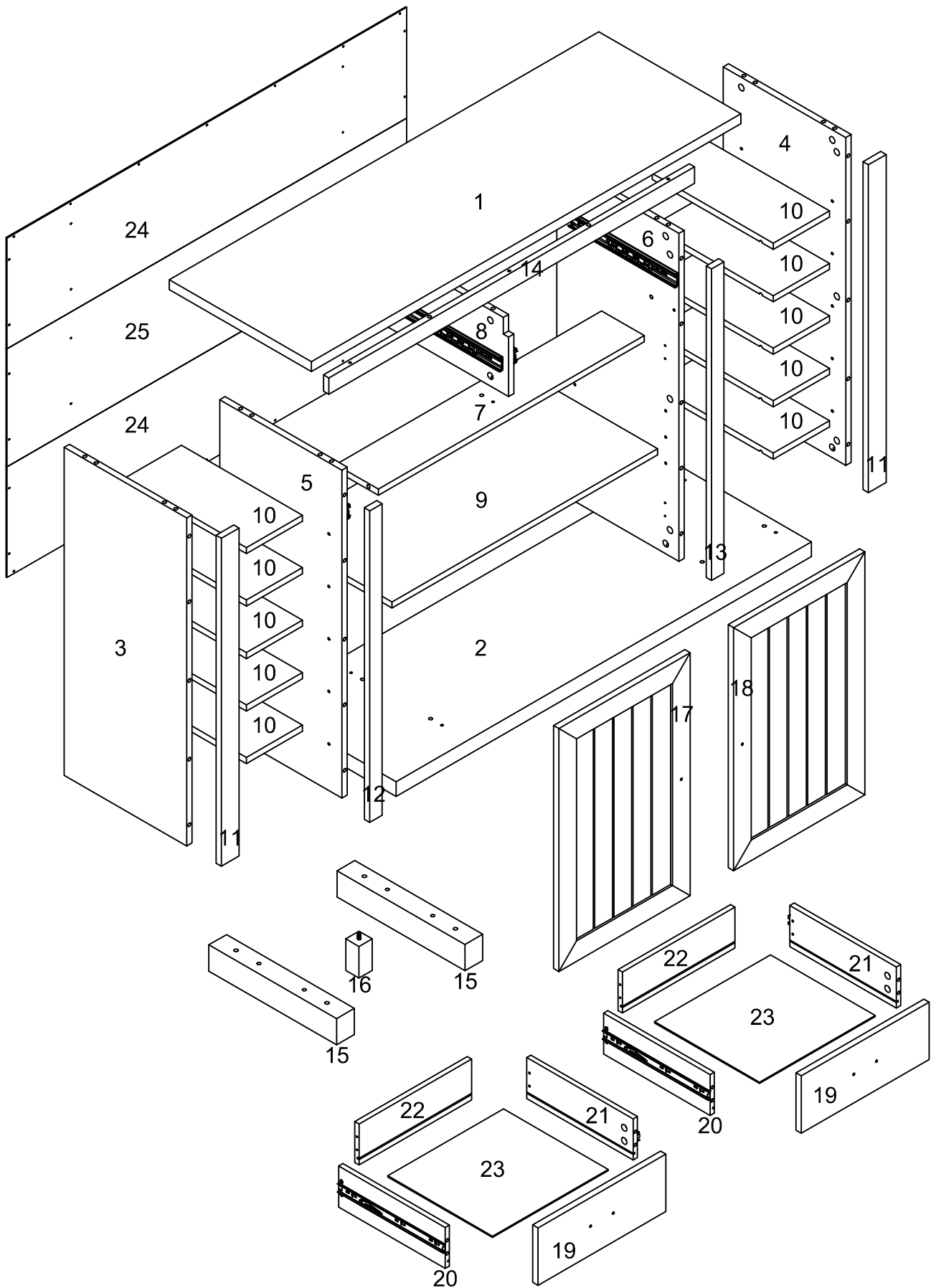




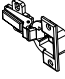



















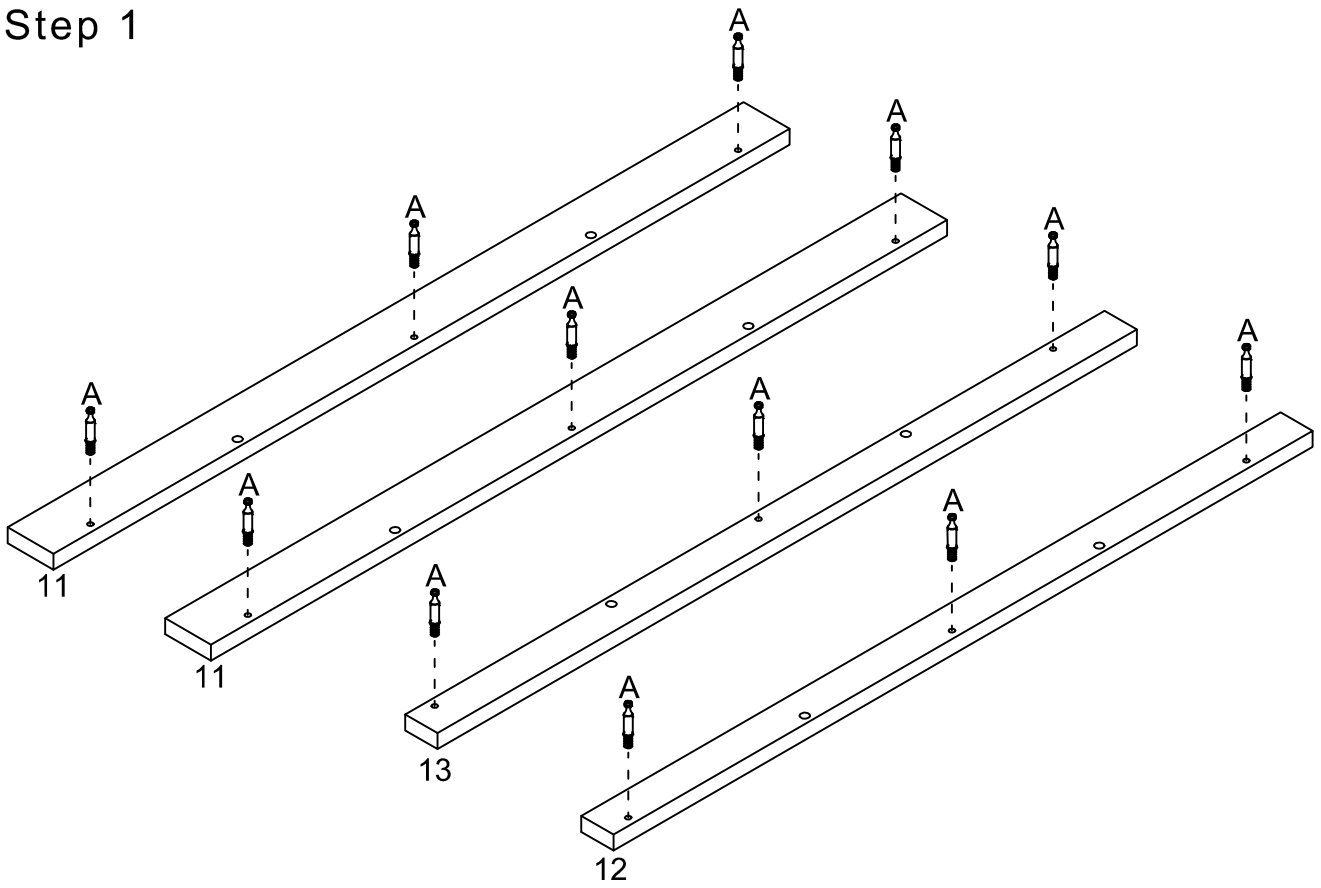
# Parts List



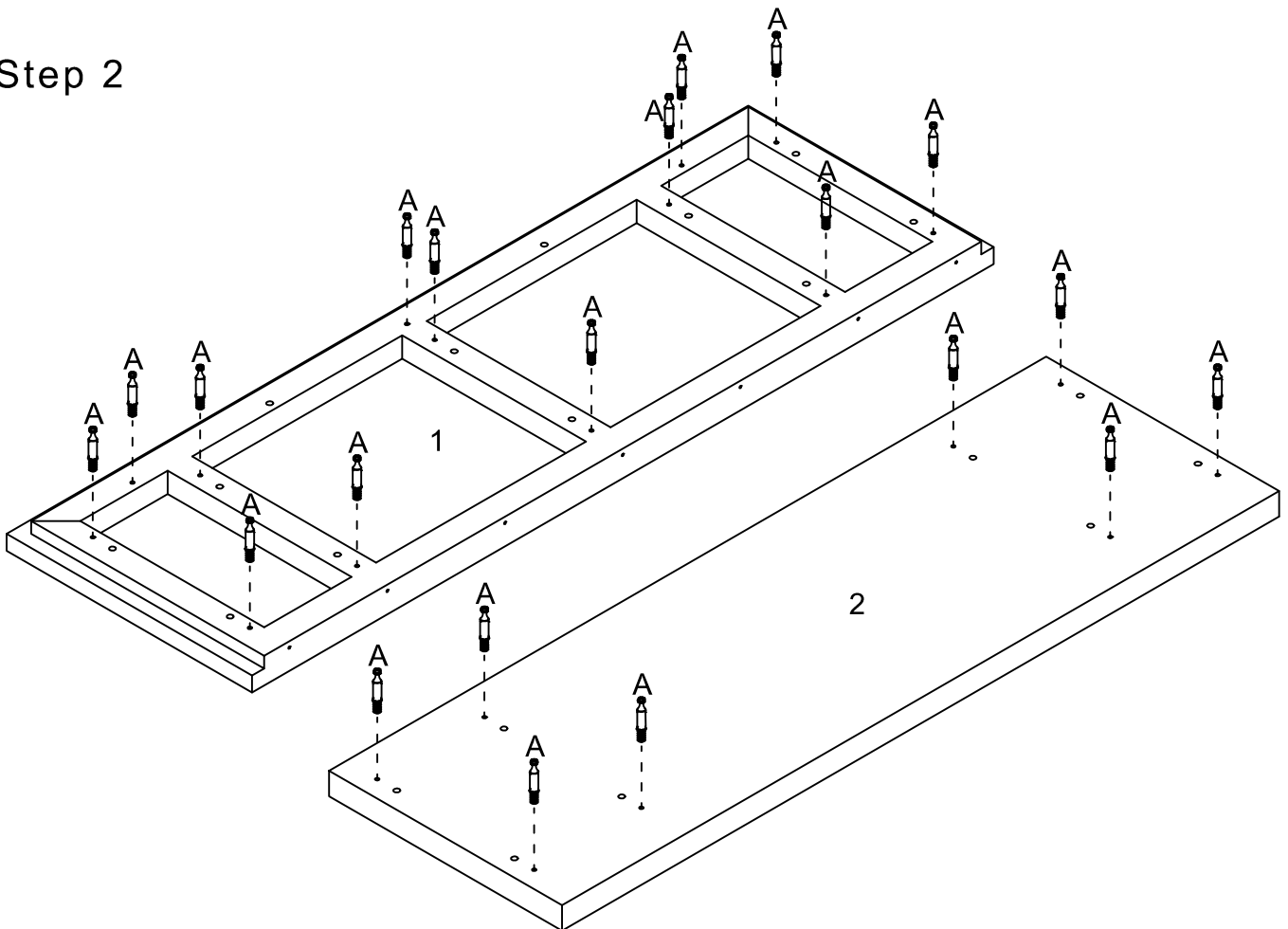
# Hardware List

A		Ø5*25mm	Bolt	44 pcs
B		Ø15*11mm	Nut	36 pcs
C		Ø8*30mm	Wood Dowel	35 pcs
D		Ø5*16mm	Shelf Support	16 pcs
E		Ø26mm	Hinge	4 pcs
F		Ø4*15mm	Screw	16 pcs
G		Ø15*9mm	Nut	8 pcs
H		44x16x12mm	Magnet	1 pcs
I		Ø3.5*15mm	Screw	2 pcs
J		30x22x1mm	Iron Sheet	2 pcs
K		Ø3*12mm	Screw	2 pcs
L		1/4*60mm	Bolt	4 pcs
M		M4	Allen Key	1 pc
N		Ø4*30mm	Screw	8pcs
O		Ø31*27mm	Handle	2 pcs
P		91*33*23mm	Handle	2 pcs
Q		5/32*25mm	Bolt	2 pcs
R		5/32*20mm	Bolt	4 pcs
S		Ø3*15mm	Screw	38 pcs
T			Glue	1 pc
U			Paper Cover	10 pcs
V			Anti-Tipping Kit	2 sets

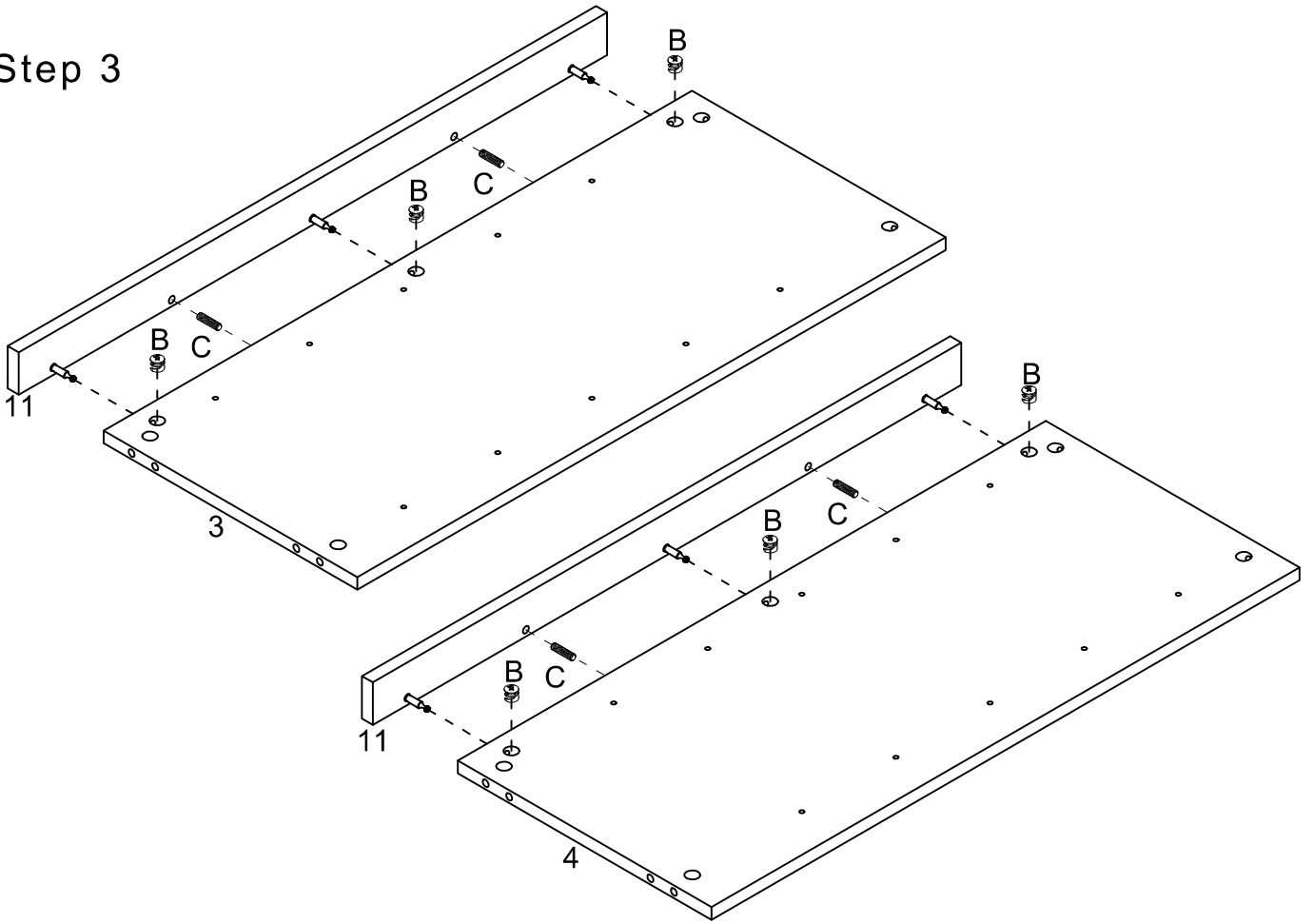
## Step 1



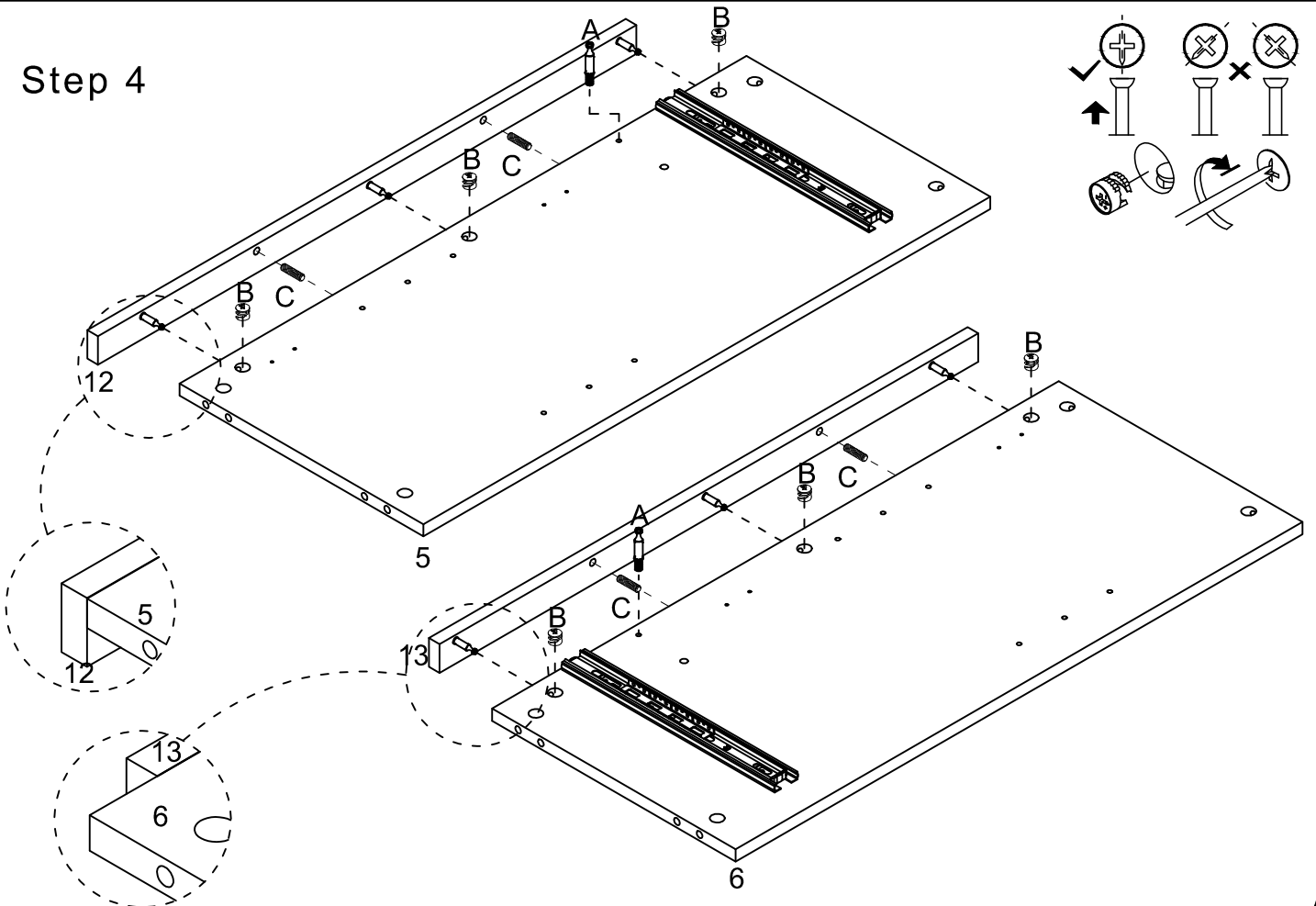
## Step 2



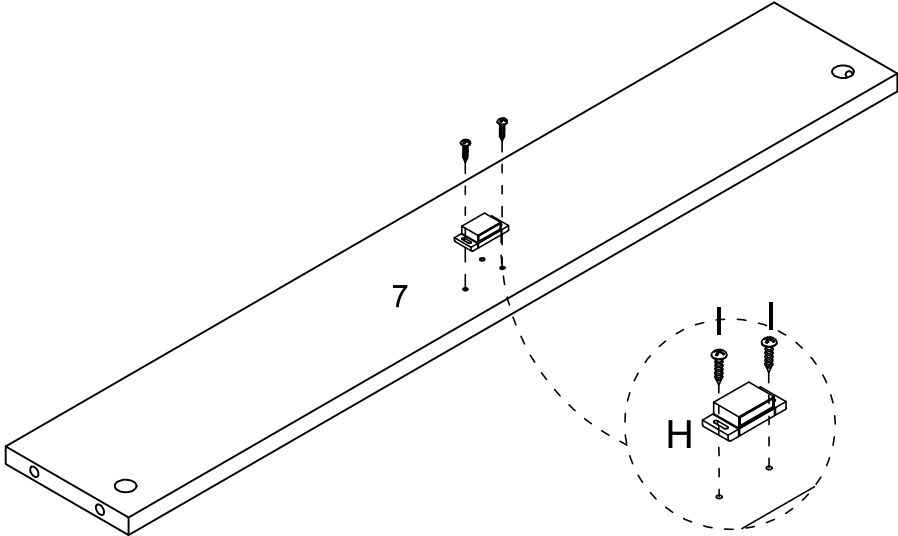
### Step 3



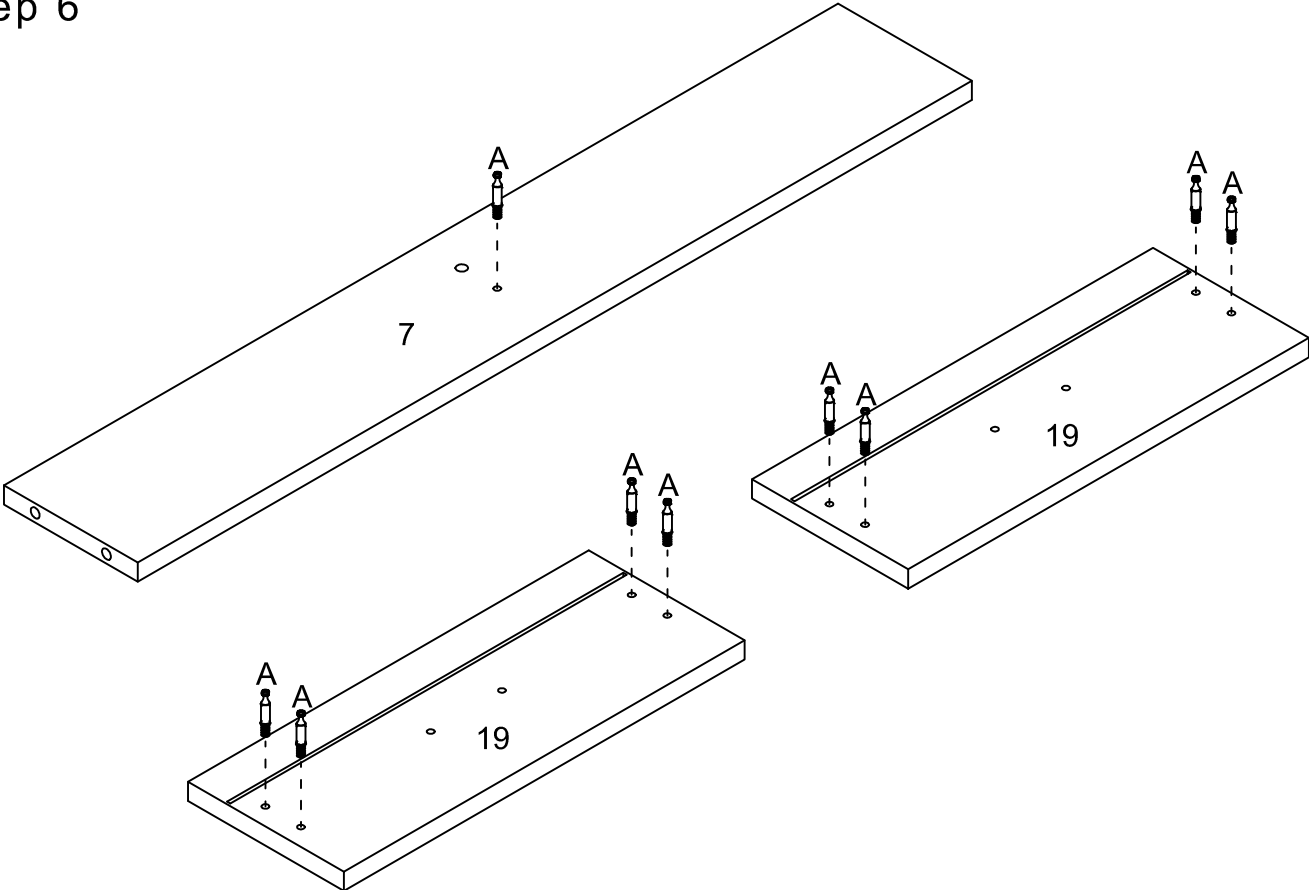
### Step 4



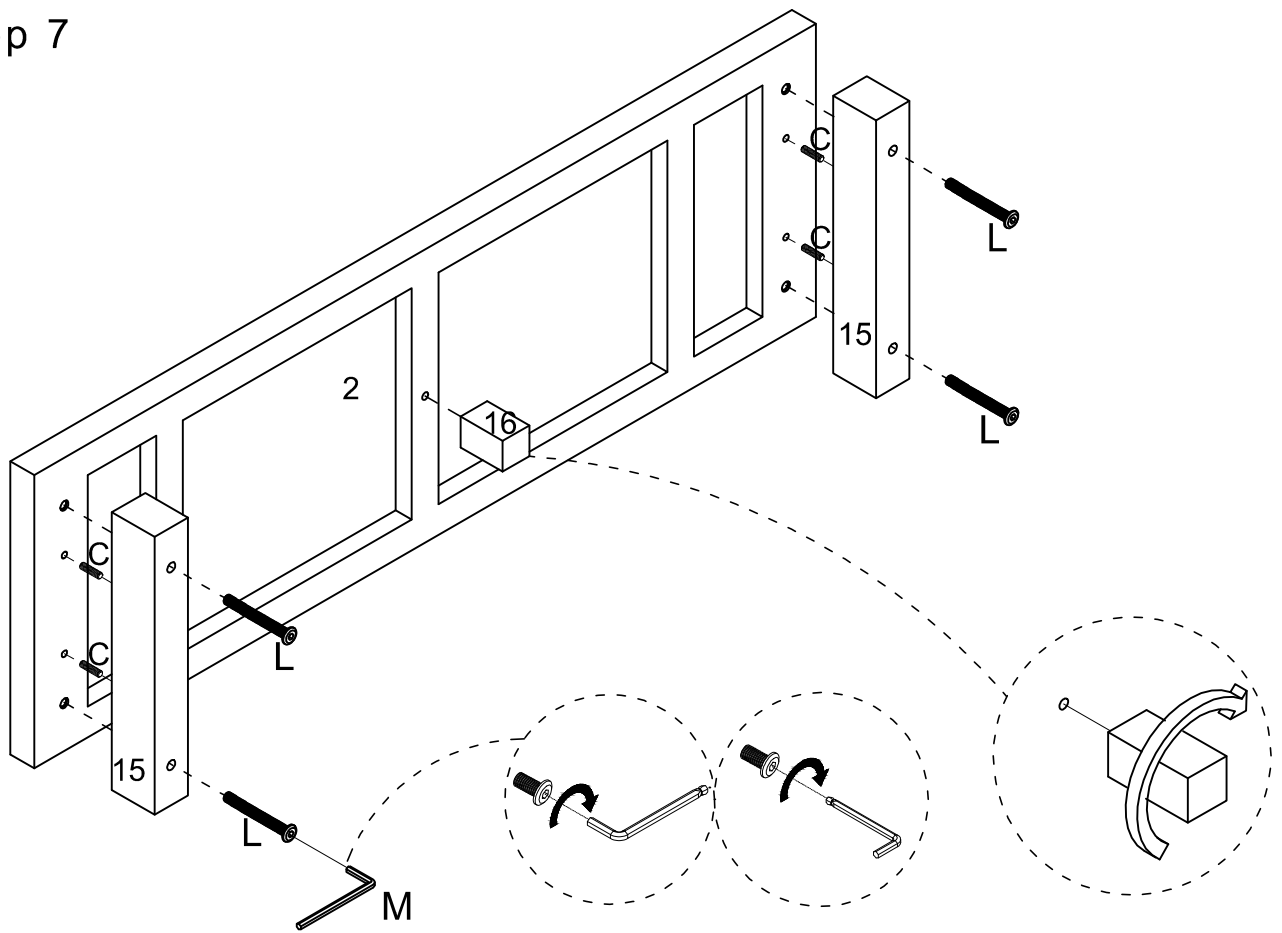
Step 5



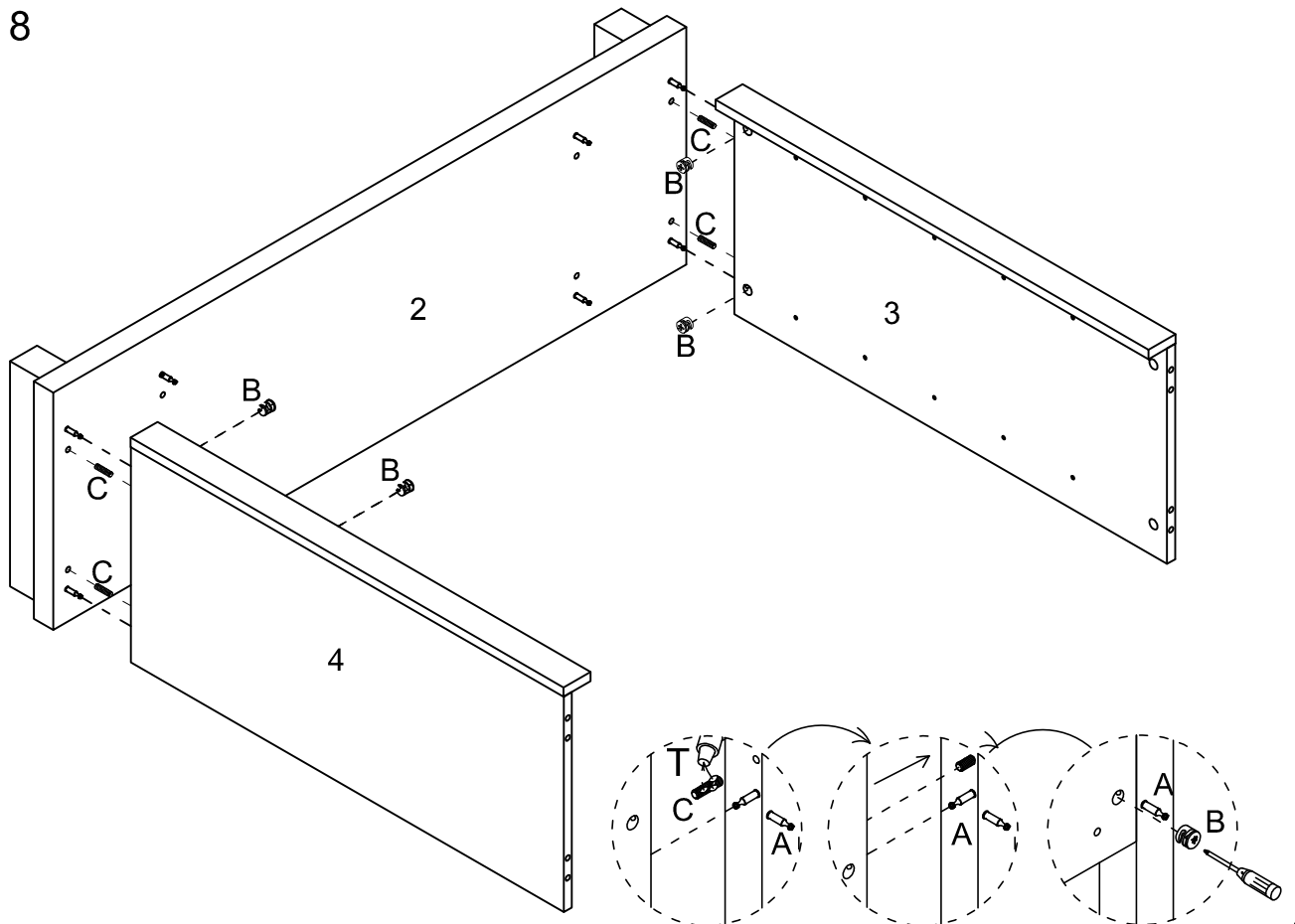
Step 6



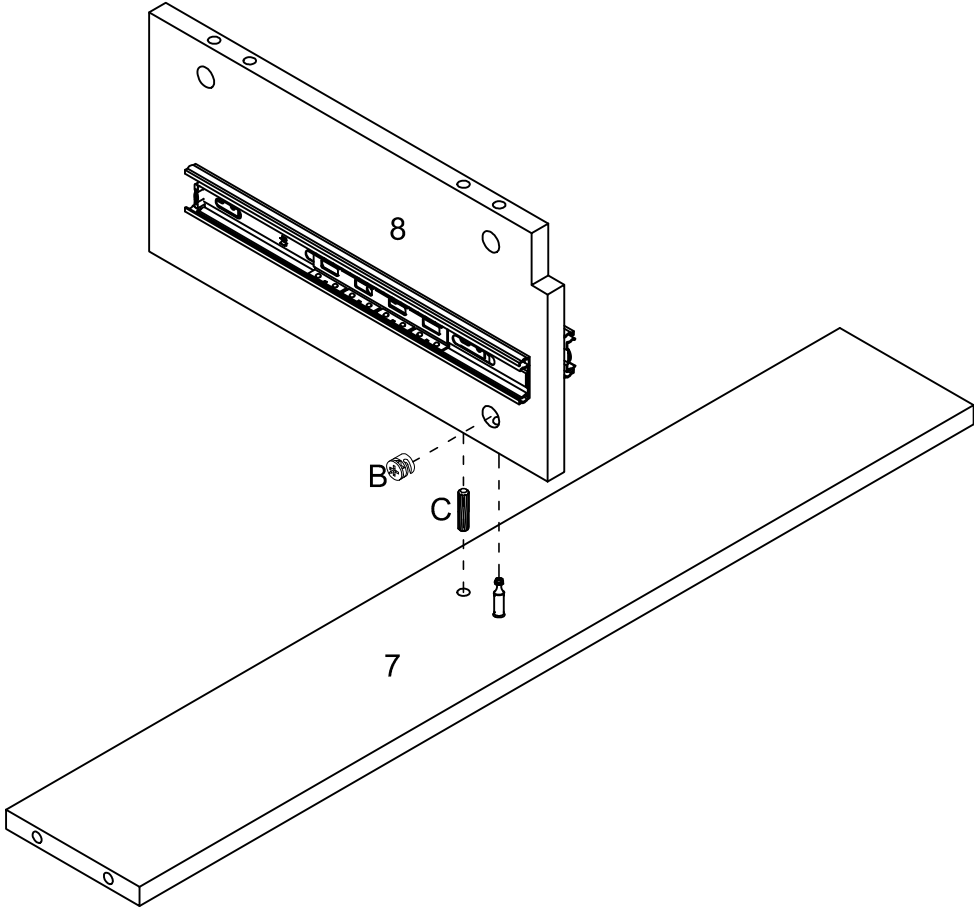
## Step 7



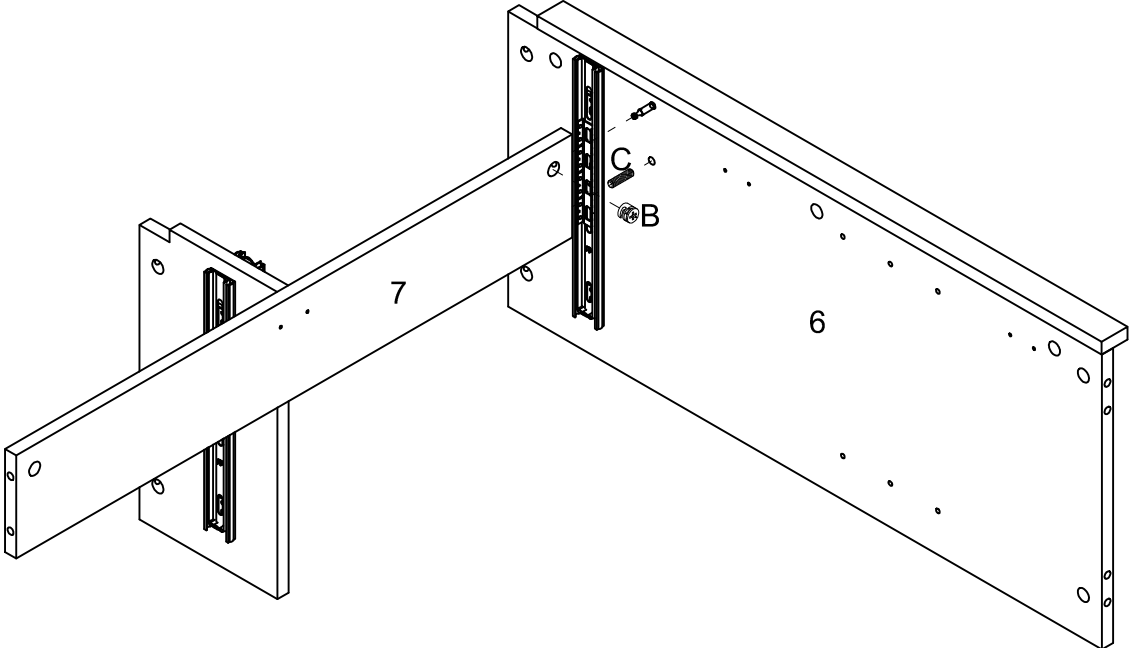
## Step 8



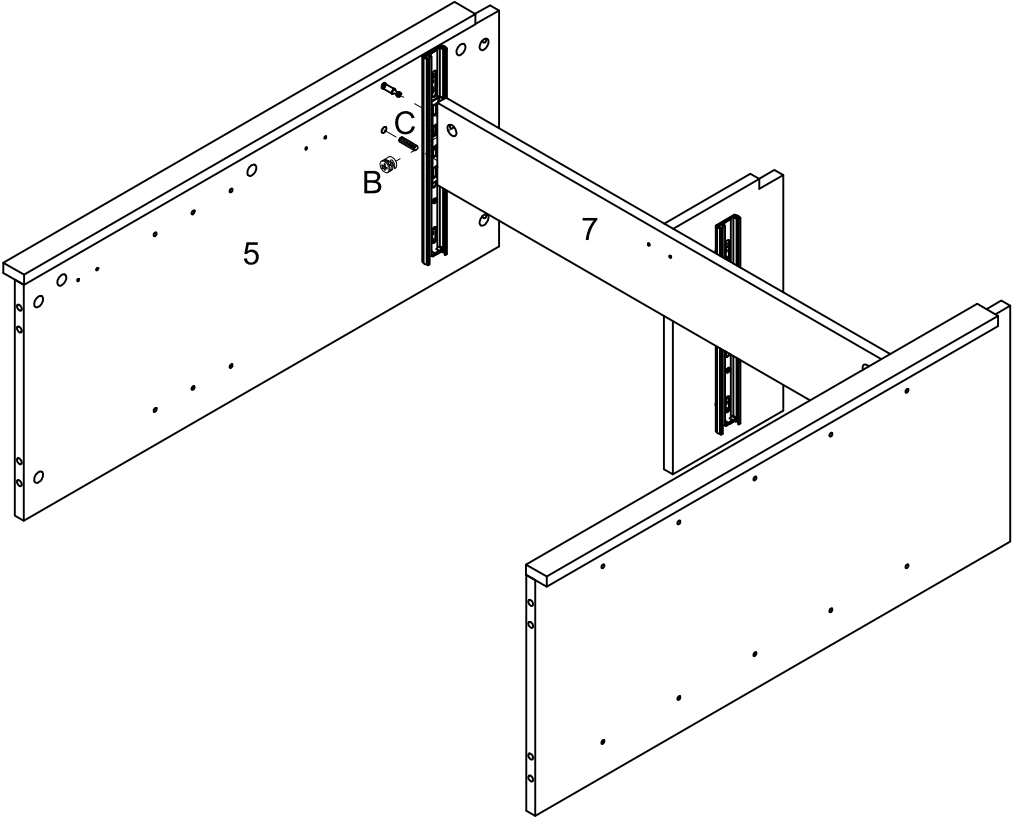
Step 9



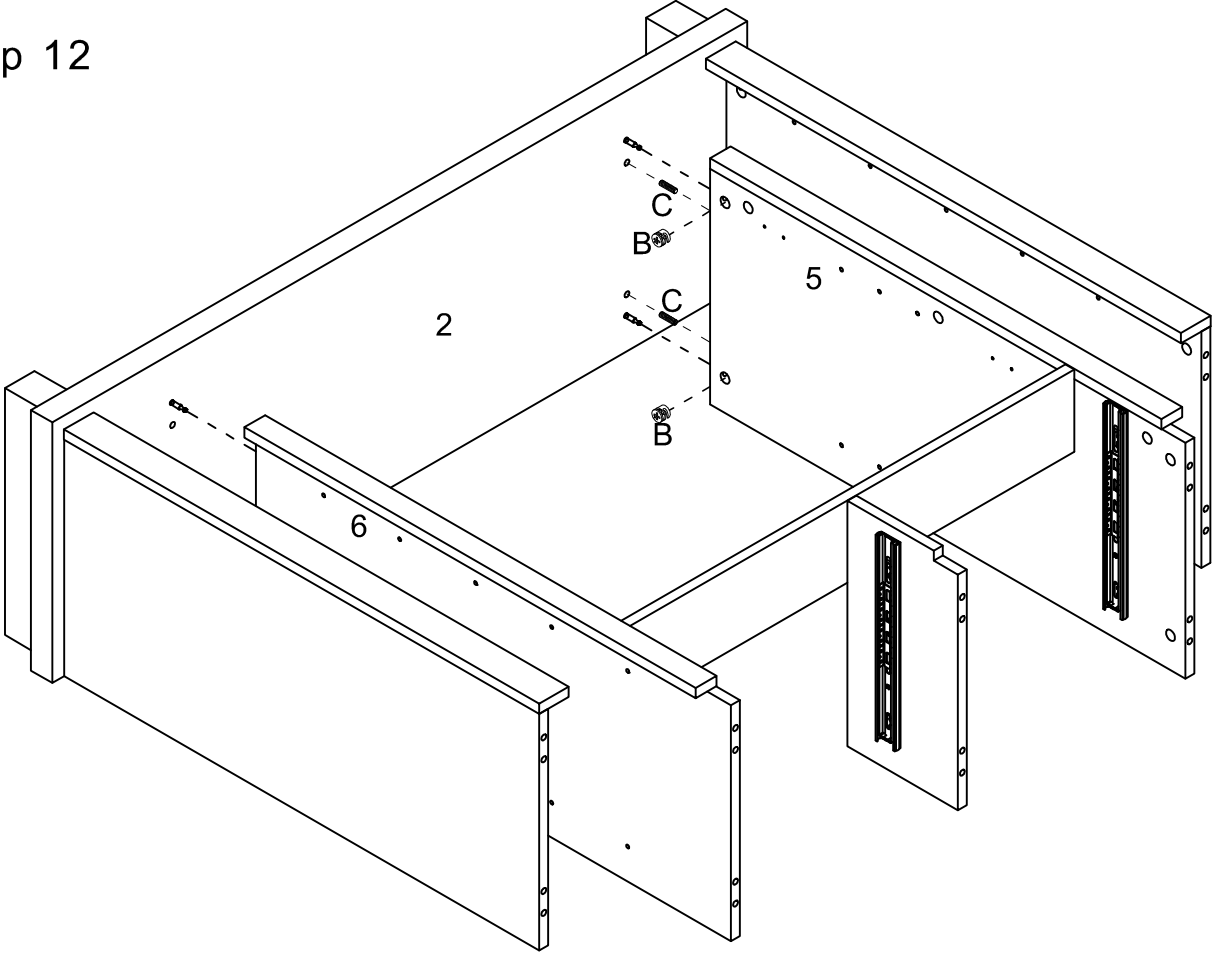
Step 10



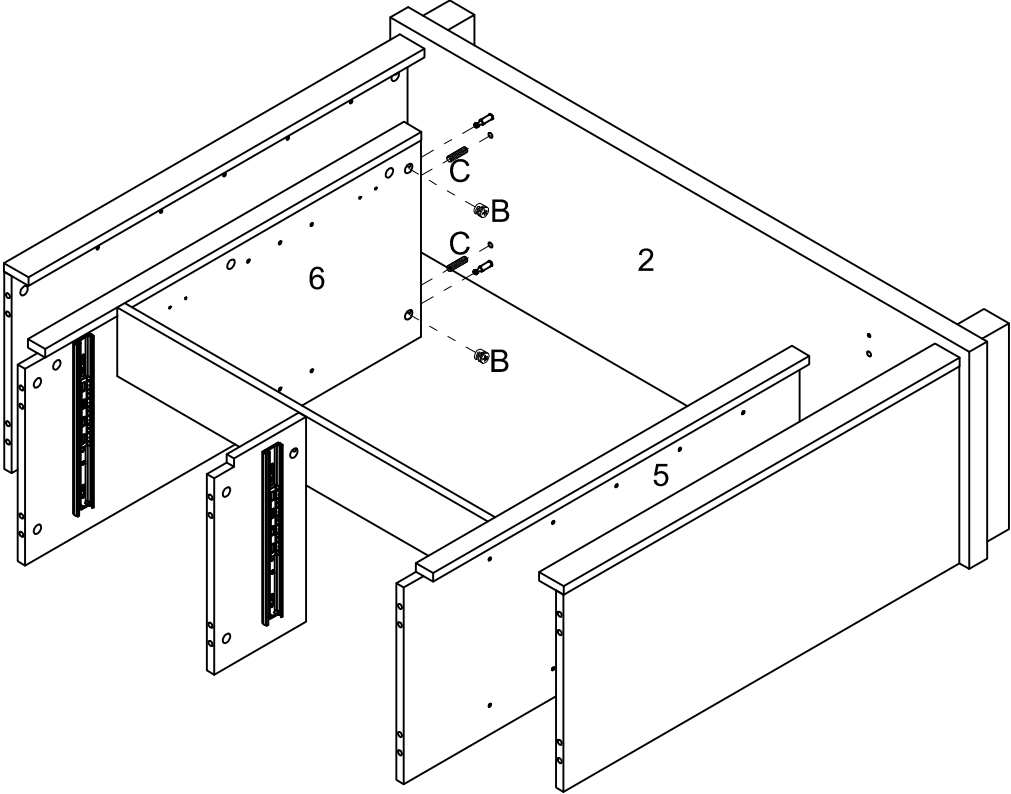
Step 11



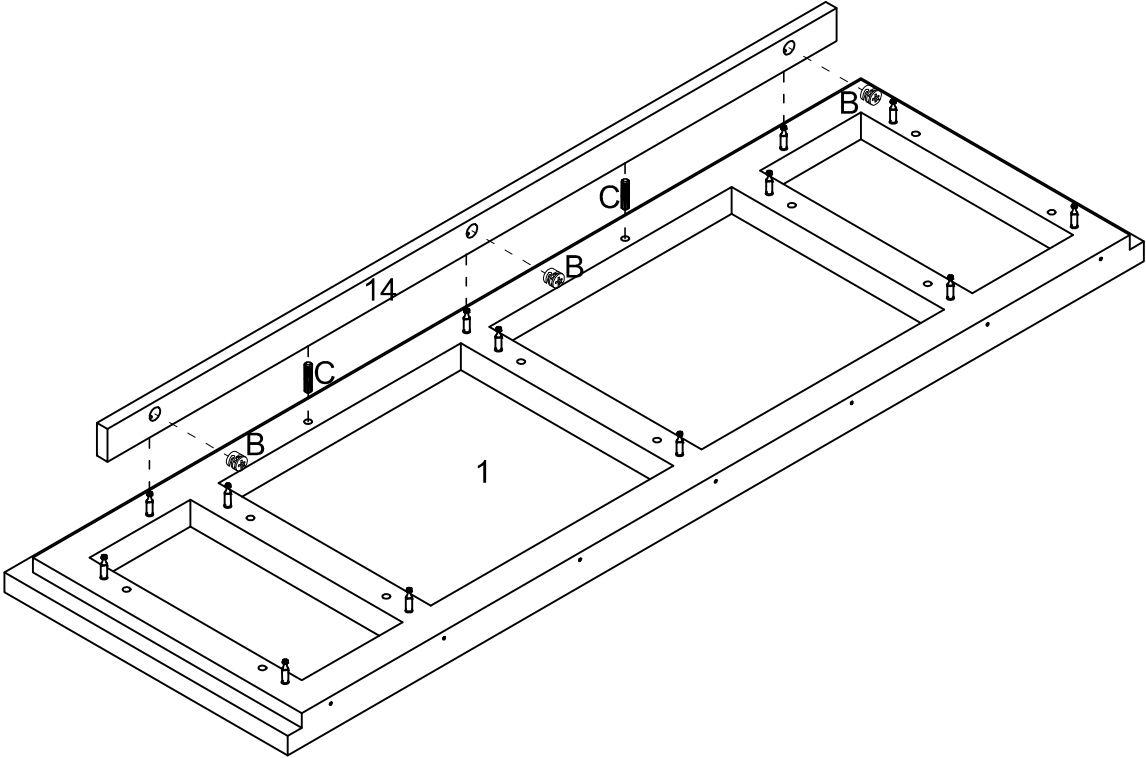
Step 12



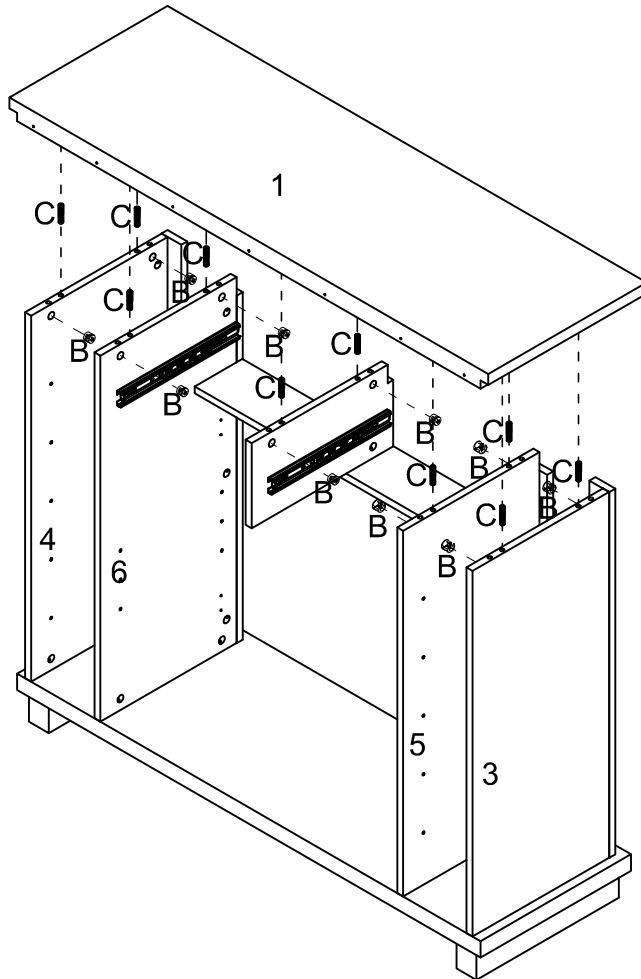
Step 13



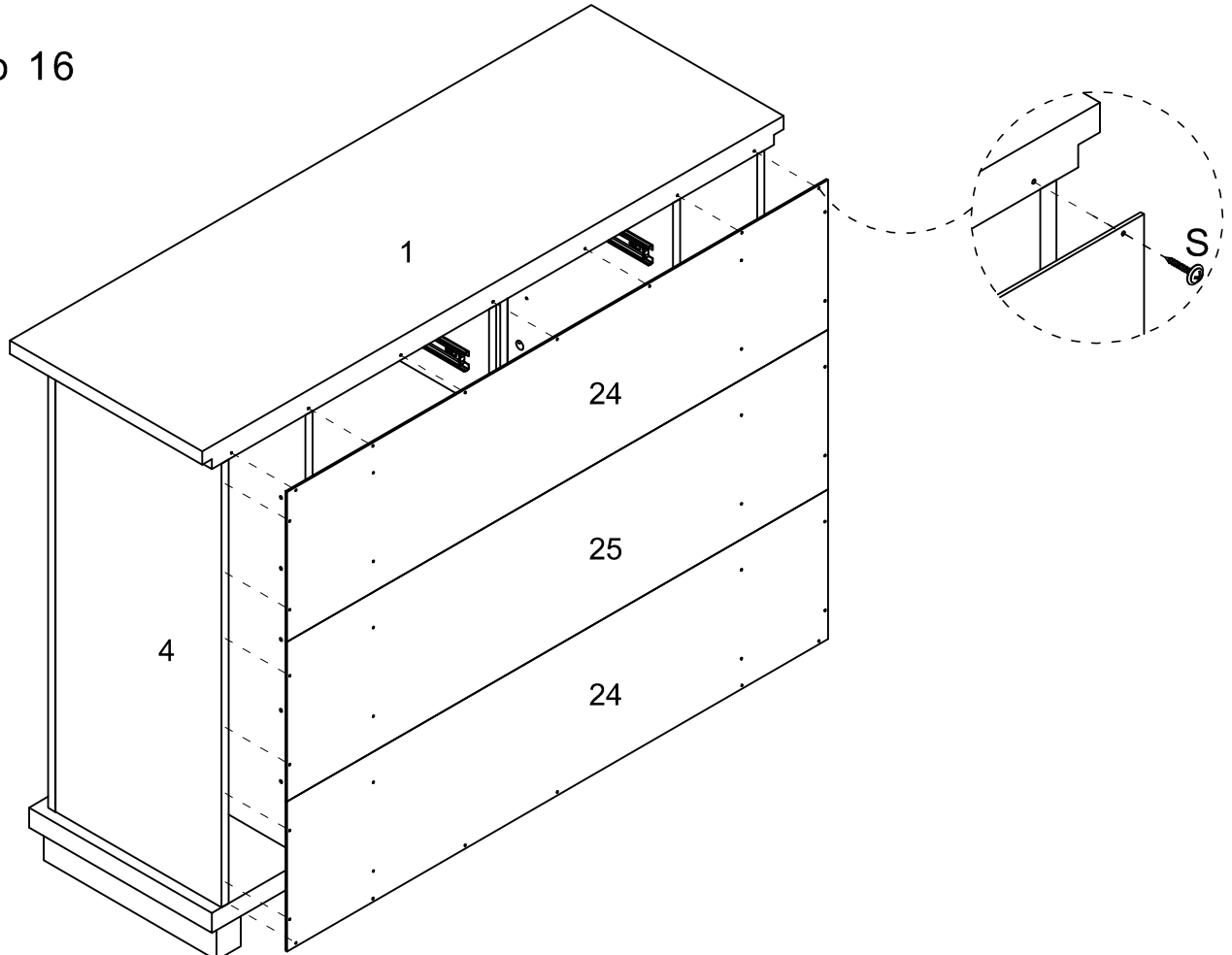
Step 14



## Step 15

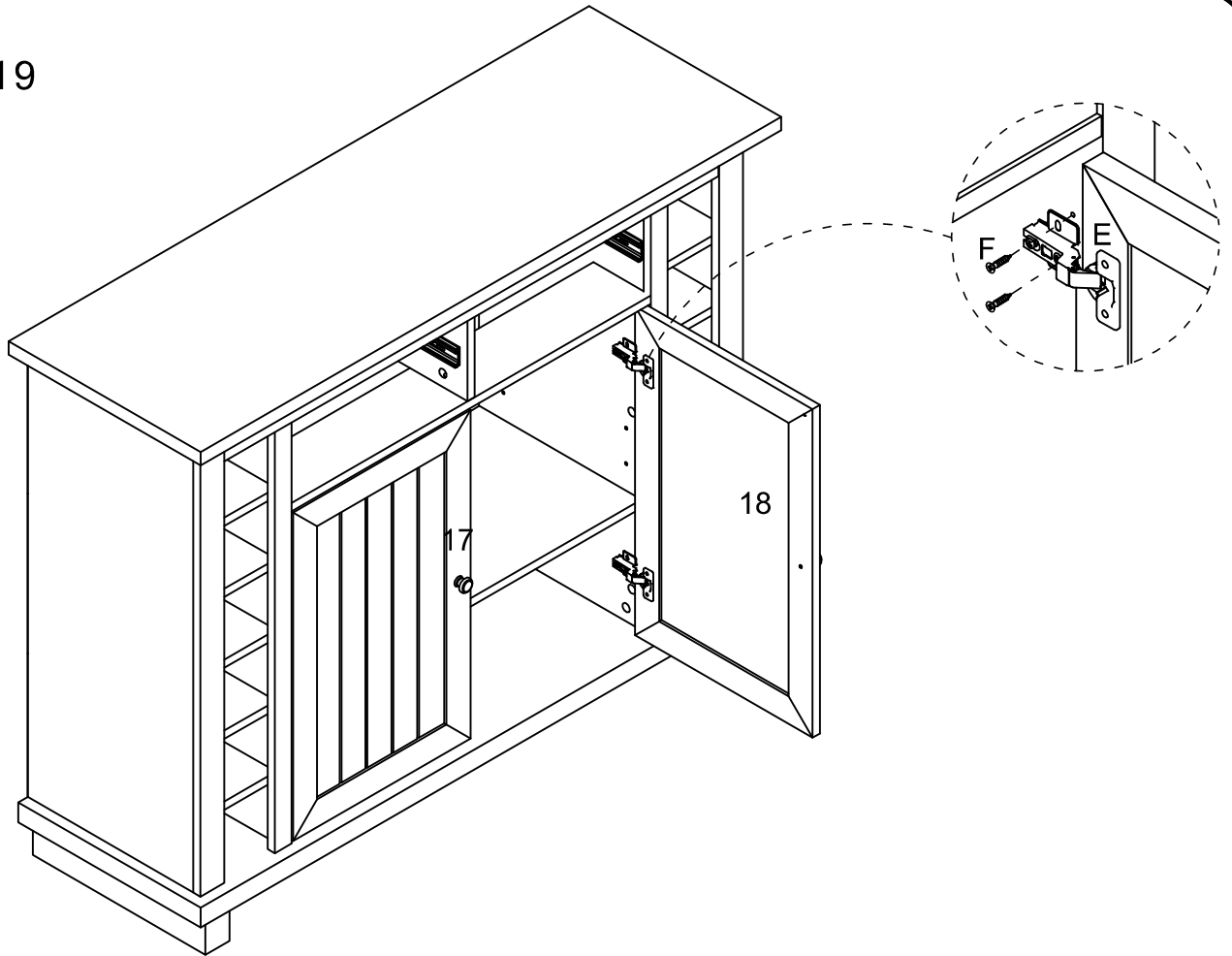


## Step 16

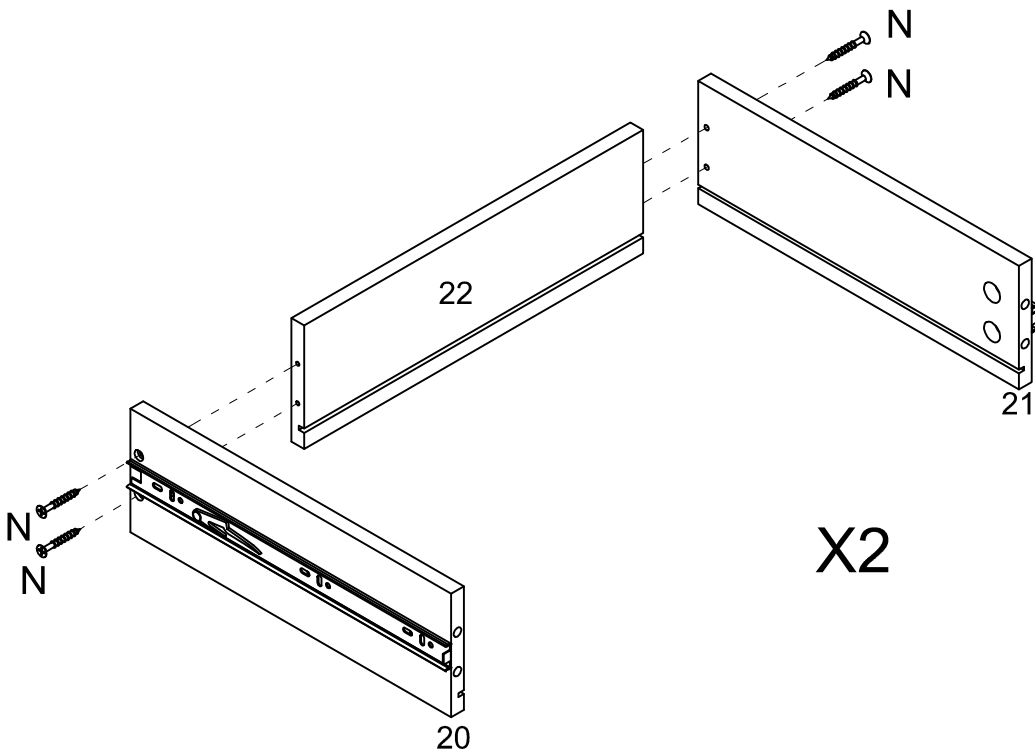




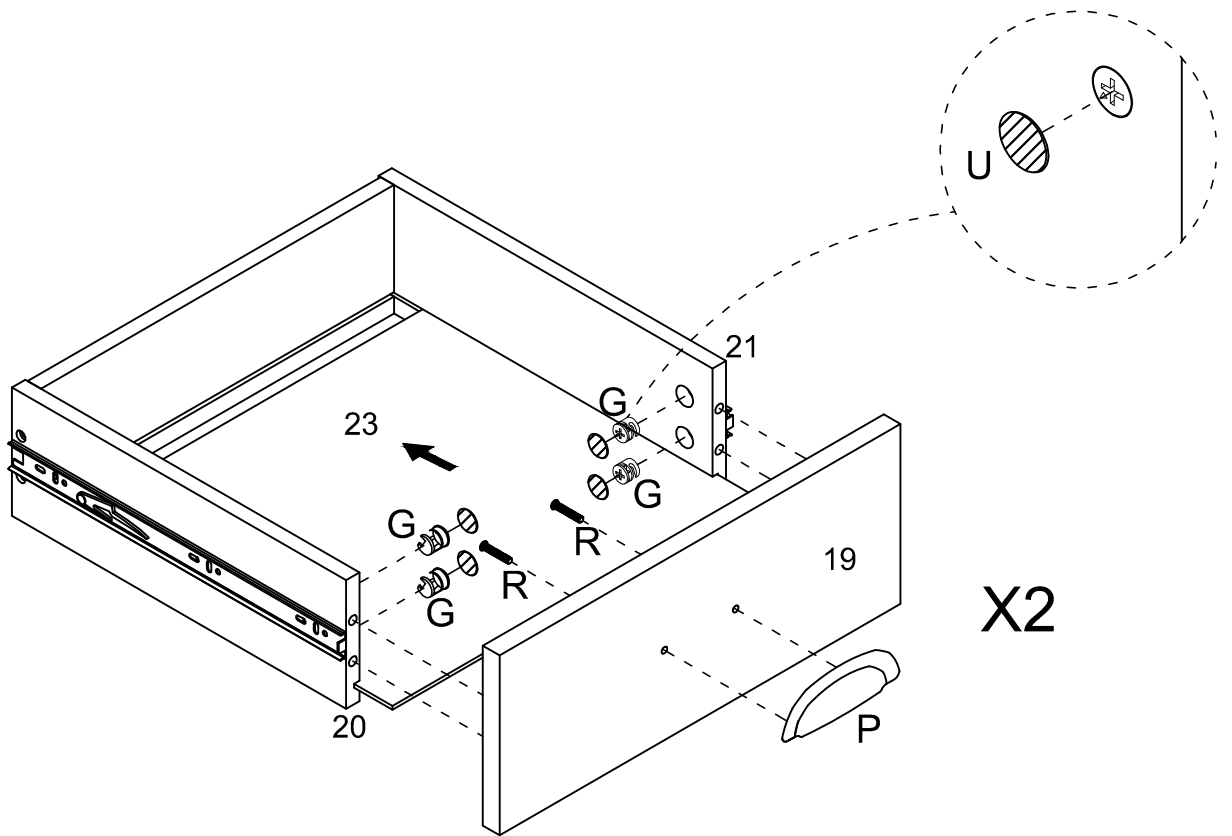
### Step 19



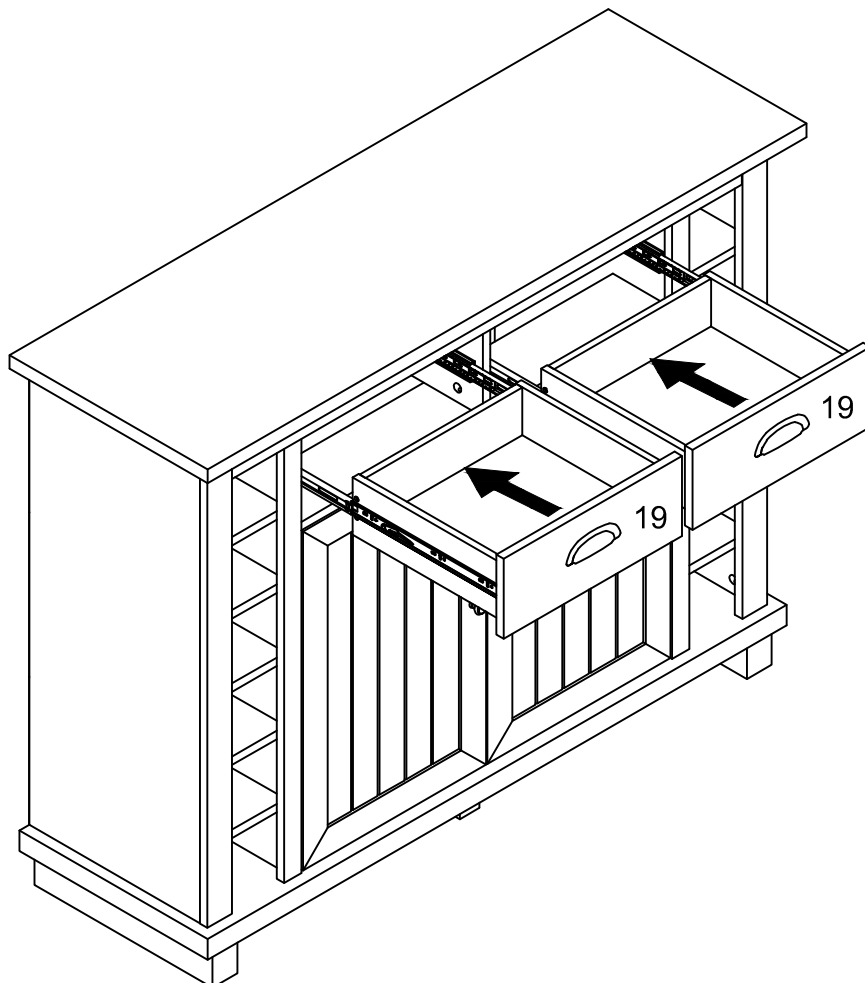
### Step 20



## Step 21



## Step 22



Step 23

