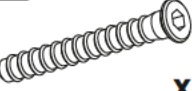
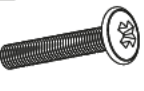



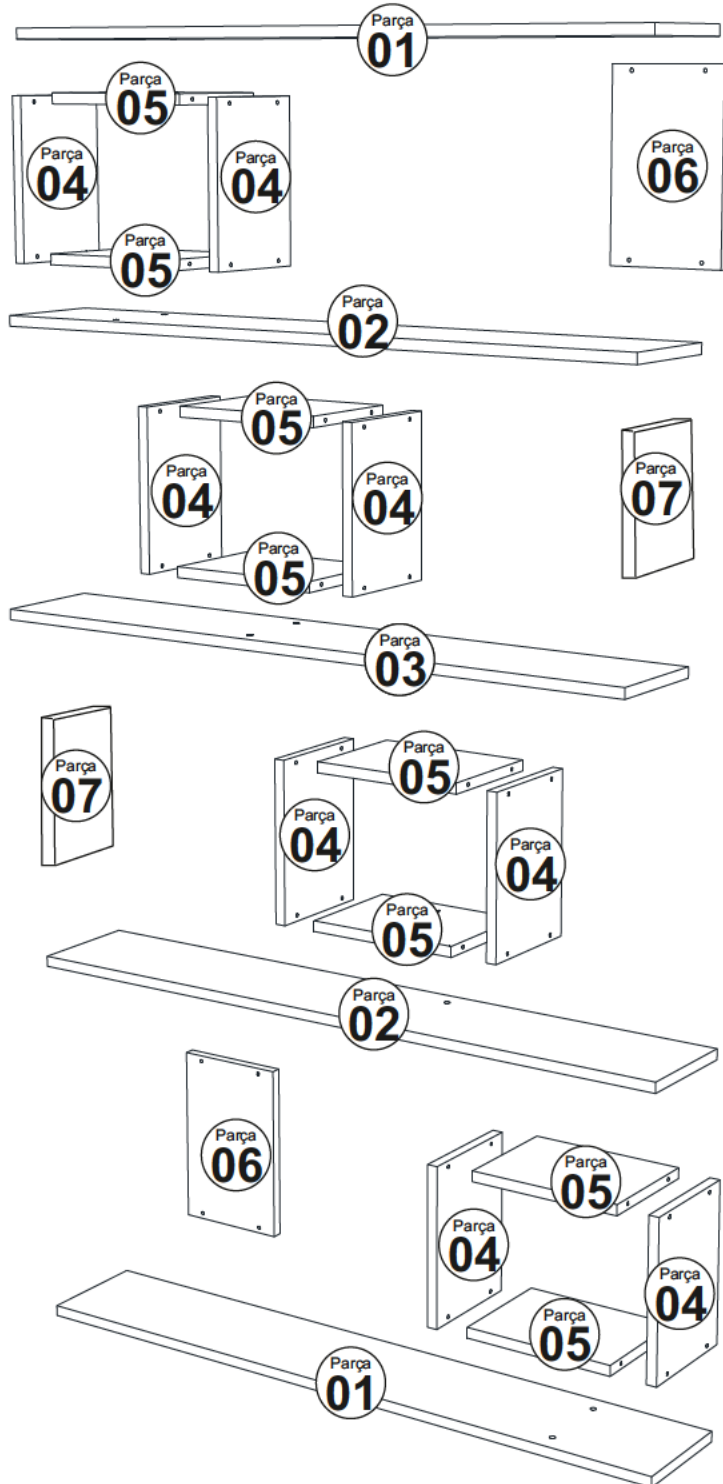


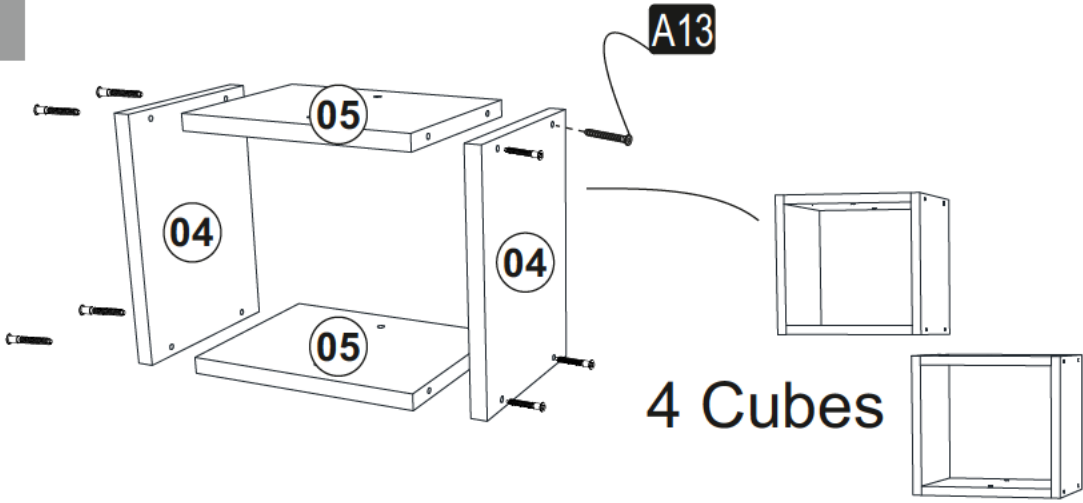
AKSESUAR LİSTESİ / ACCESSORY LIST

A13 50 mm  x32	M13 M6x30 mm screw  16x	A55 ÇİVİLİ PAPUÇ  x6	A17 4x50 screw  x16	A10 14mm c 1  Ax Dx40
---	---	---	--	---

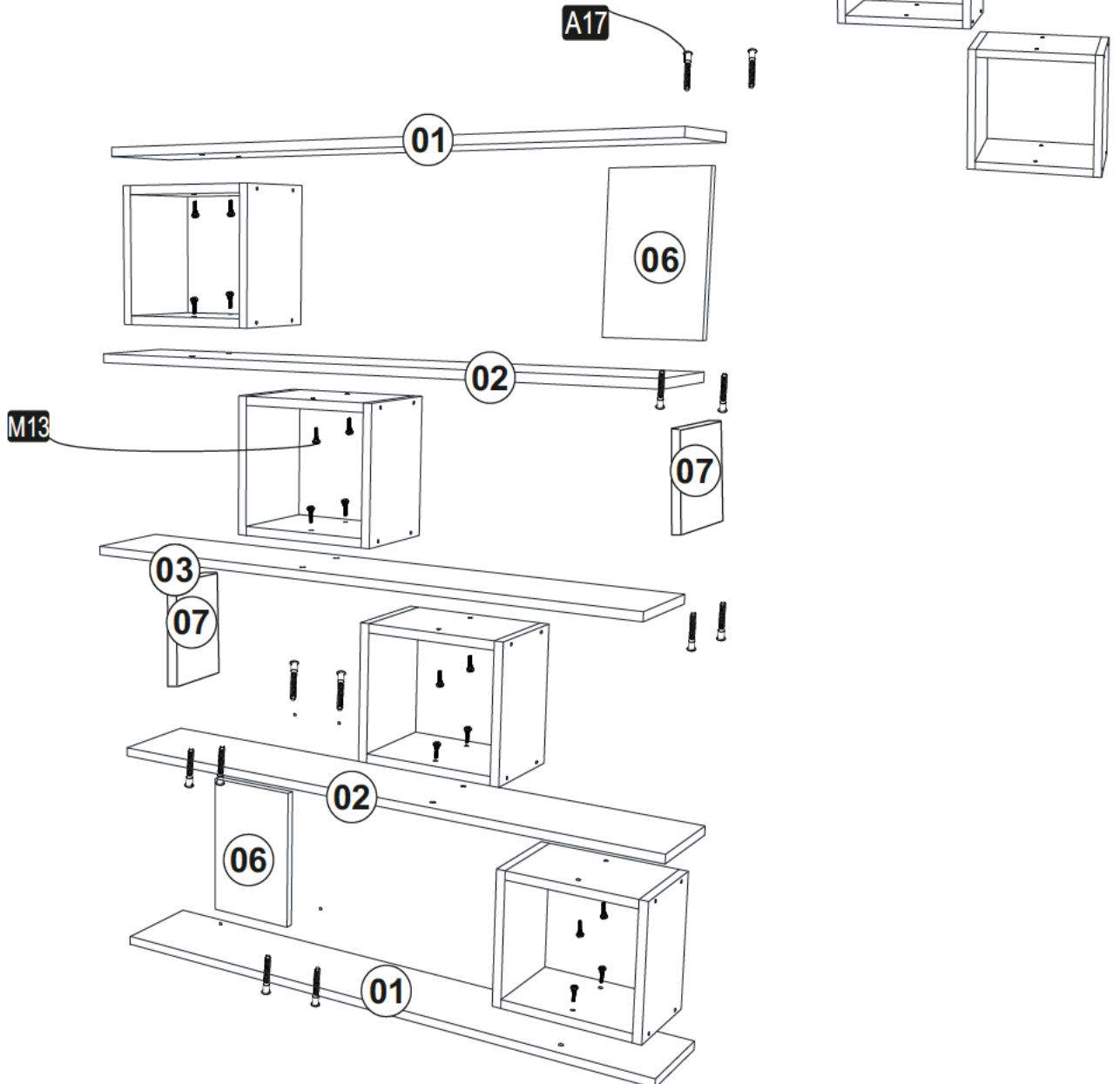
PARÇA TANILAMA / GENERAL VIEW



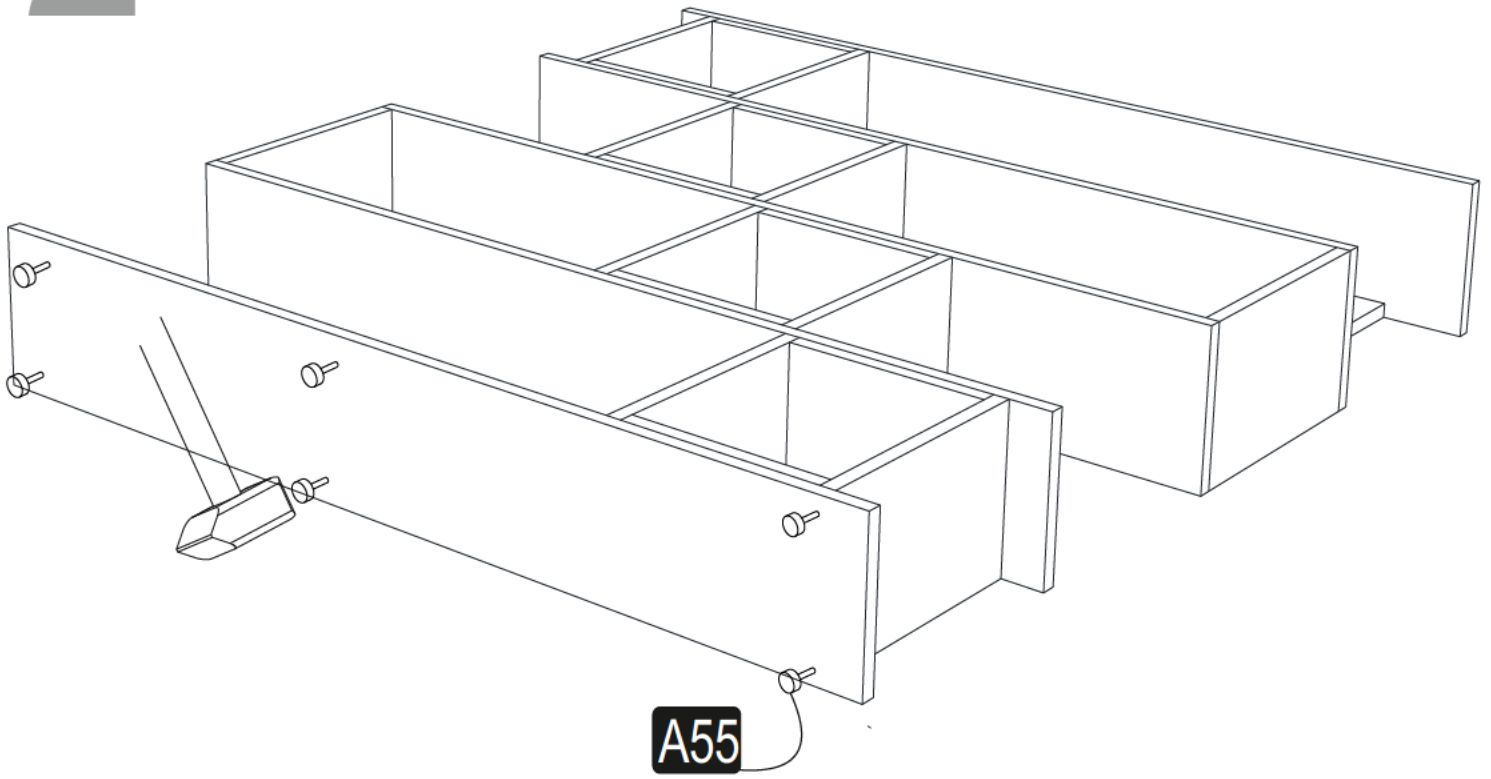
1



For pieces #4 and #5 use A13
For pieces #6 and #7 use A17



2



3

